



US00D975164S

(12) **United States Design Patent**
Cheng et al.

(10) **Patent No.:** **US D975,164 S**
(45) **Date of Patent:** **** Jan. 10, 2023**

(54) **WEBCAM DEVICE**

(71) Applicant: **Acer Incorporated**, New Taipei (TW)

(72) Inventors: **Yun Cheng**, New Taipei (TW);
Tsun-Chih Yang, New Taipei (TW)

(73) Assignee: **Acer Incorporated**, New Taipei (TW)

(**) Term: **15 Years**

(21) Appl. No.: **29/785,035**

(22) Filed: **May 24, 2021**

(30) **Foreign Application Priority Data**

Jan. 19, 2021 (TW) 110300318

(51) **LOC (14) Cl.** **16-01**

(52) **U.S. Cl.**
USPC **D16/211; D16/214**

(58) **Field of Classification Search**
USPC D16/200, 202-204, 208, 211, 214, 218,
D16/219, 243; D10/57, 70
CPC G03B 17/00; G03B 17/02; G03B 2217/00;
H04N 5/225
See application file for complete search history.

(56) **References Cited**

U.S. PATENT DOCUMENTS

D364,388 S *	11/1995	Miyahara	D16/208
D510,451 S *	10/2005	Marchand	D26/65
D523,164 S *	6/2006	Ng	D26/65
D602,063 S *	10/2009	Su	D16/208
D607,482 S *	1/2010	Inoue	D16/208
D637,331 S *	5/2011	Lee	D26/63
D641,907 S *	7/2011	Lee	D26/65

(Continued)

OTHER PUBLICATIONS

“CZUR Shine Ultra Smart Document Scanner,” First Available Date
Nov. 18, 2020, retrieved Sep. 29, 2022 from <https://www.amazon.com/CZUR-Shine-Ultra-Auto-Flatten-Compatible/dp/B08NSJQ65L/?th=1> (Year: 2020).*

com/CZUR-Shine-Ultra-Auto-Flatten-Compatible/dp/B08NSJQ65L/?th=1 (Year: 2020).*

Primary Examiner — Maria J. Edwards
Assistant Examiner — Dina Michelle Hoeynck
(74) *Attorney, Agent, or Firm* — JCIPRNET

(57) **CLAIM**

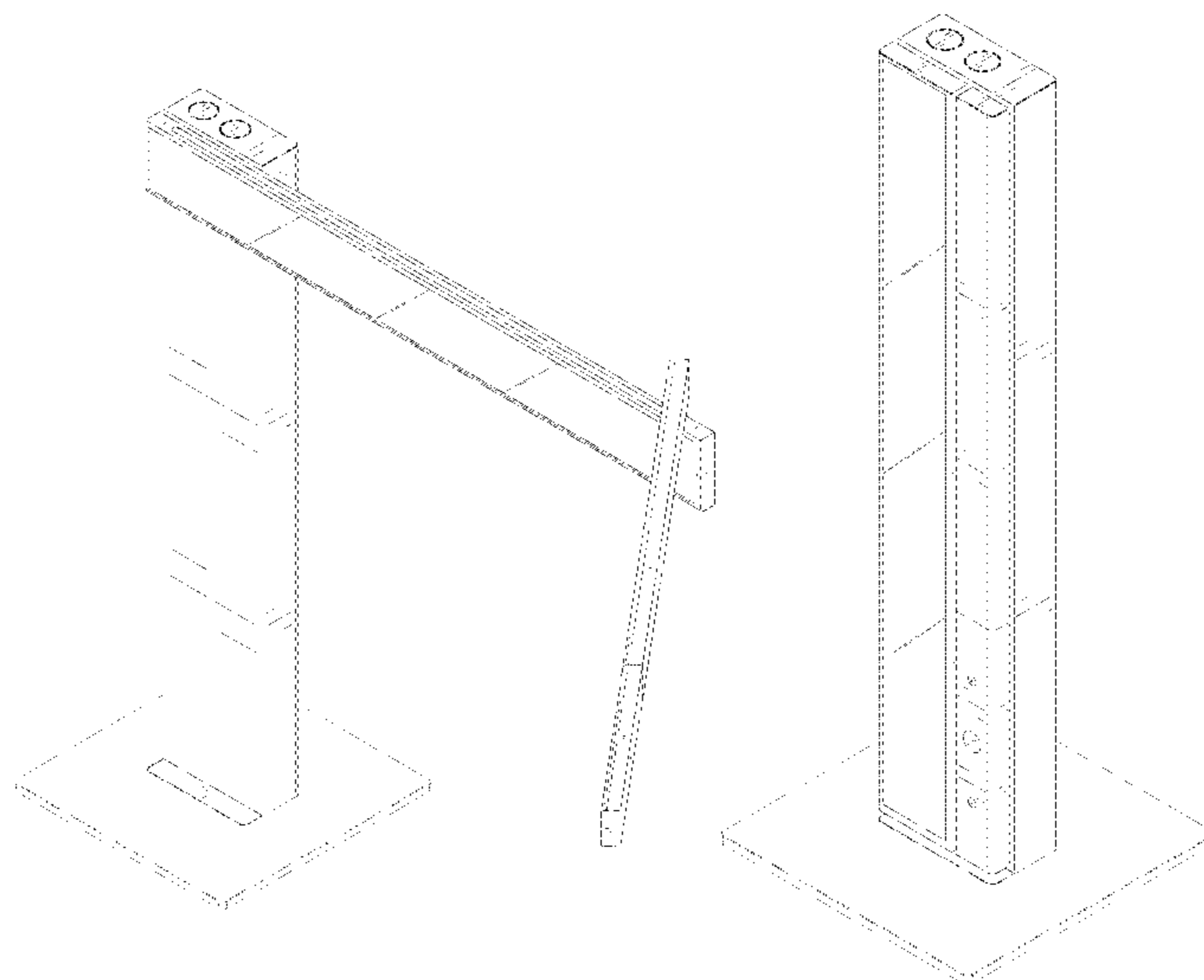
The ornamental design for a webcam device, as shown and described.

DESCRIPTION

FIG. 1 is a perspective view of a webcam device showing our new design;
FIG. 2 is another perspective view thereof;
FIG. 3 is another perspective view thereof;
FIG. 4 is another perspective view thereof;
FIG. 5 is another perspective view thereof;
FIG. 6 is a front view thereof;
FIG. 7 is a rear view thereof;
FIG. 8 is a left side view thereof;
FIG. 9 is a right side view thereof;
FIG. 10 is a top view thereof;
FIG. 11 is a bottom view thereof;
FIG. 12 is a perspective view thereof showing the webcam device in another usage state;
FIG. 13 is another perspective view thereof showing the webcam device in another usage state;
FIG. 14 is a perspective view thereof showing the webcam device in the storage state;
FIG. 15 is another perspective view thereof showing the webcam device in the storage state;
FIG. 16 is a perspective view thereof showing the webcam device detached from the base; and,
FIG. 17 is another perspective view thereof showing the webcam device detached from the base.

The broken lines illustrate portions of the webcam device that form no part of the claimed design. The oblique line shading shown in the drawings indicates a transparent or translucent surface.

1 Claim, 14 Drawing Sheets



(56)

References Cited

U.S. PATENT DOCUMENTS

D647,906	S	*	11/2011	Shen	D16/232
D651,635	S	*	1/2012	Hong	D16/208
D662,121	S	*	6/2012	Rodriguez	D16/208
D665,938	S	*	8/2012	Kim	D26/63
D667,042	S	*	9/2012	Shen	D16/208
D667,980	S	*	9/2012	Kim	D26/63
D680,148	S	*	4/2013	Unno	D16/208
D686,268	S	*	7/2013	Dunn	D16/232
D709,889	S	*	7/2014	Shen	D16/208
D753,329	S	*	4/2016	Lee	D26/65
D759,282	S	*	6/2016	Lee	D26/65
D768,908	S	*	10/2016	Fisher	D26/107
D782,558	S	*	3/2017	Tabuchi	D16/232
D818,516	S	*	5/2018	Yamakose	D16/232
D854,598	S	*	7/2019	Hsieh	D16/232
D854,599	S	*	7/2019	Hong	D16/232
D892,192	S	*	8/2020	Furusawa	D16/232
D892,900	S	*	8/2020	Chang	D16/232
2008/0258019	A1	*	10/2008	Wang	F16M 11/40 248/136
2011/0116782	A1	*	5/2011	Scott	G03B 17/00 396/428
2013/0243415	A1	*	9/2013	Gallo	G03B 15/00 396/419
2020/0159089	A1	*	5/2020	Furusawa	H04N 1/00129
2020/0389574	A1	*	12/2020	Chang	F16M 11/38
2021/0352181	A1	*	11/2021	Lin	G06V 40/107

* cited by examiner

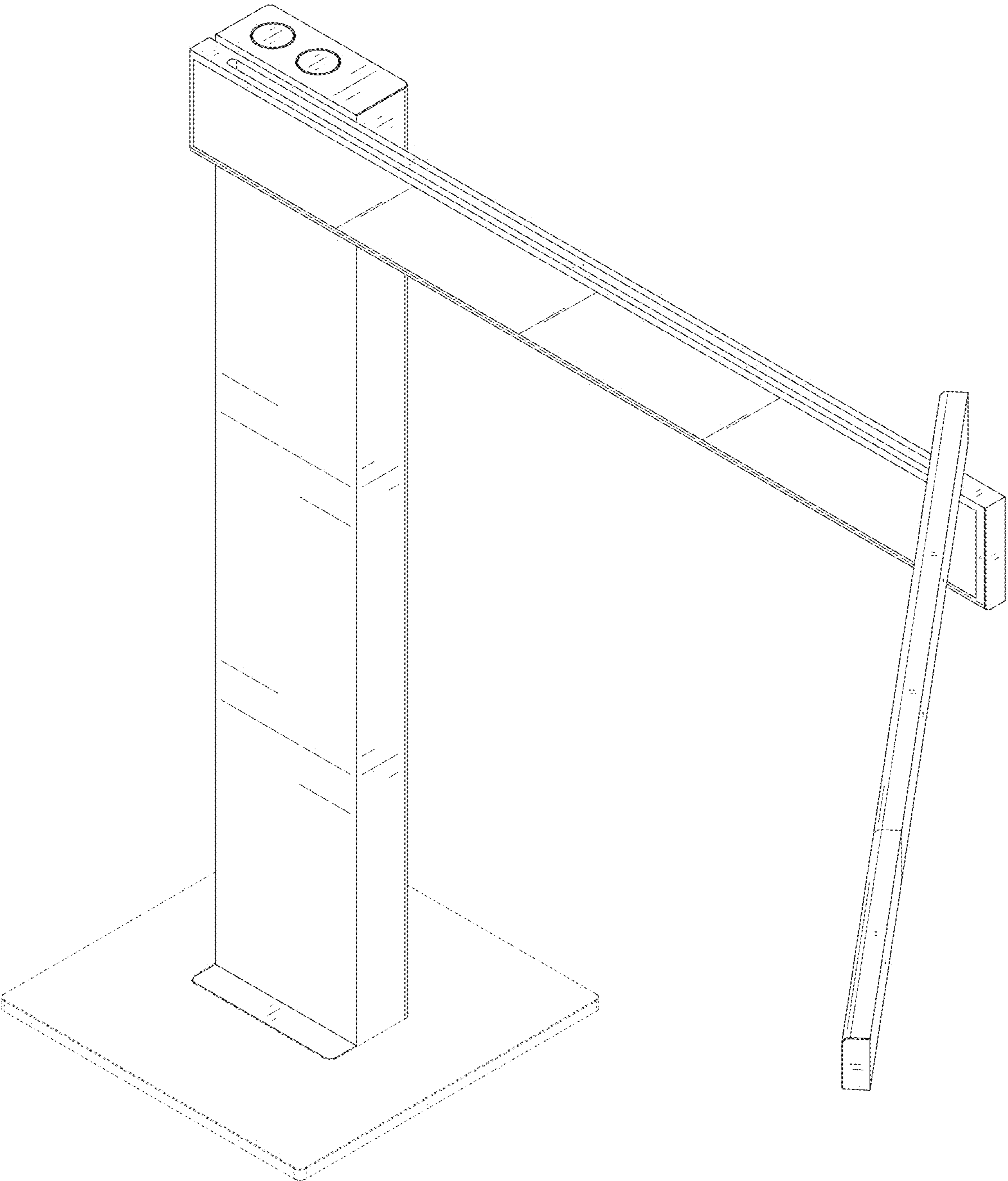


FIG. 1

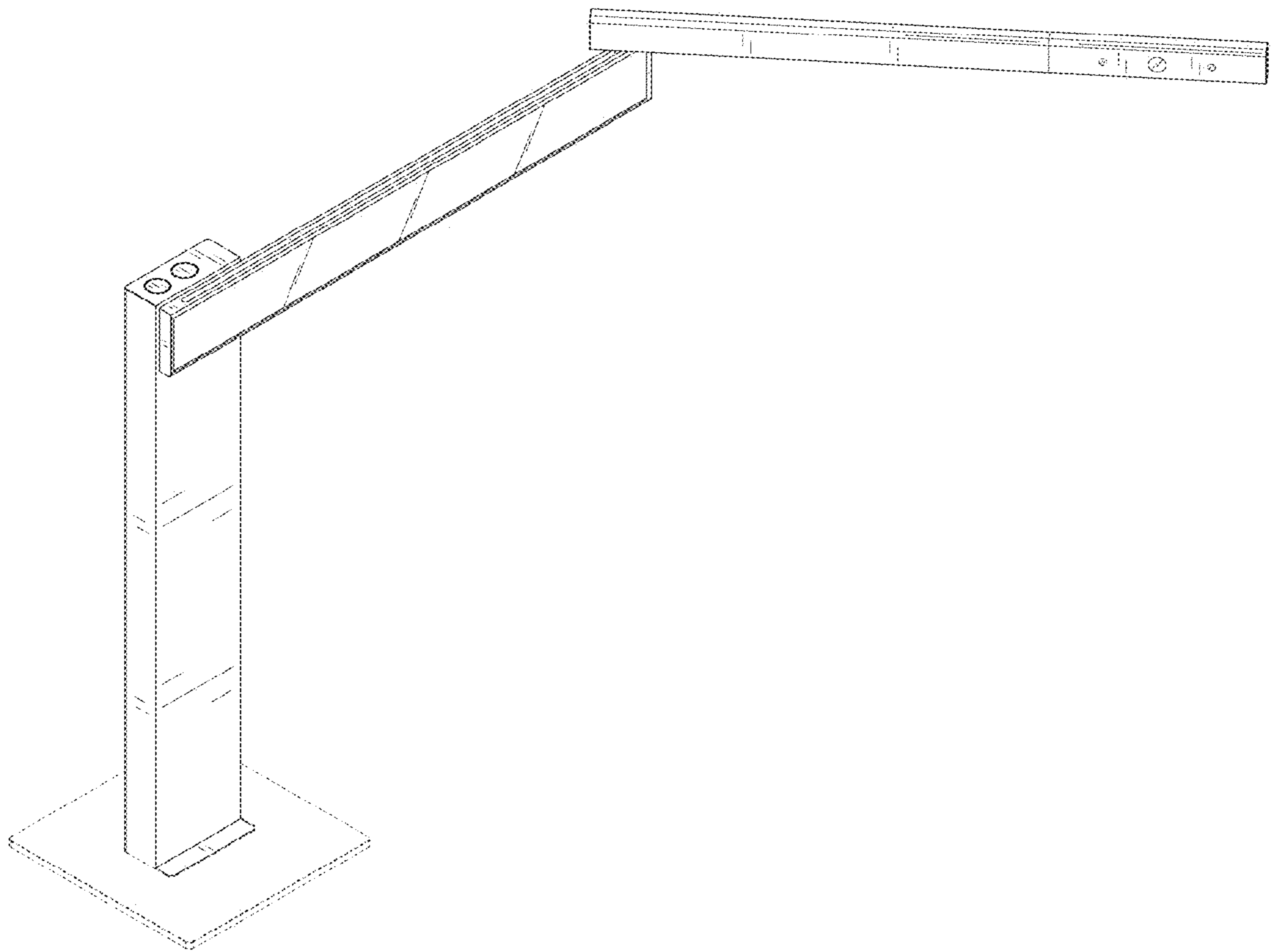


FIG. 2

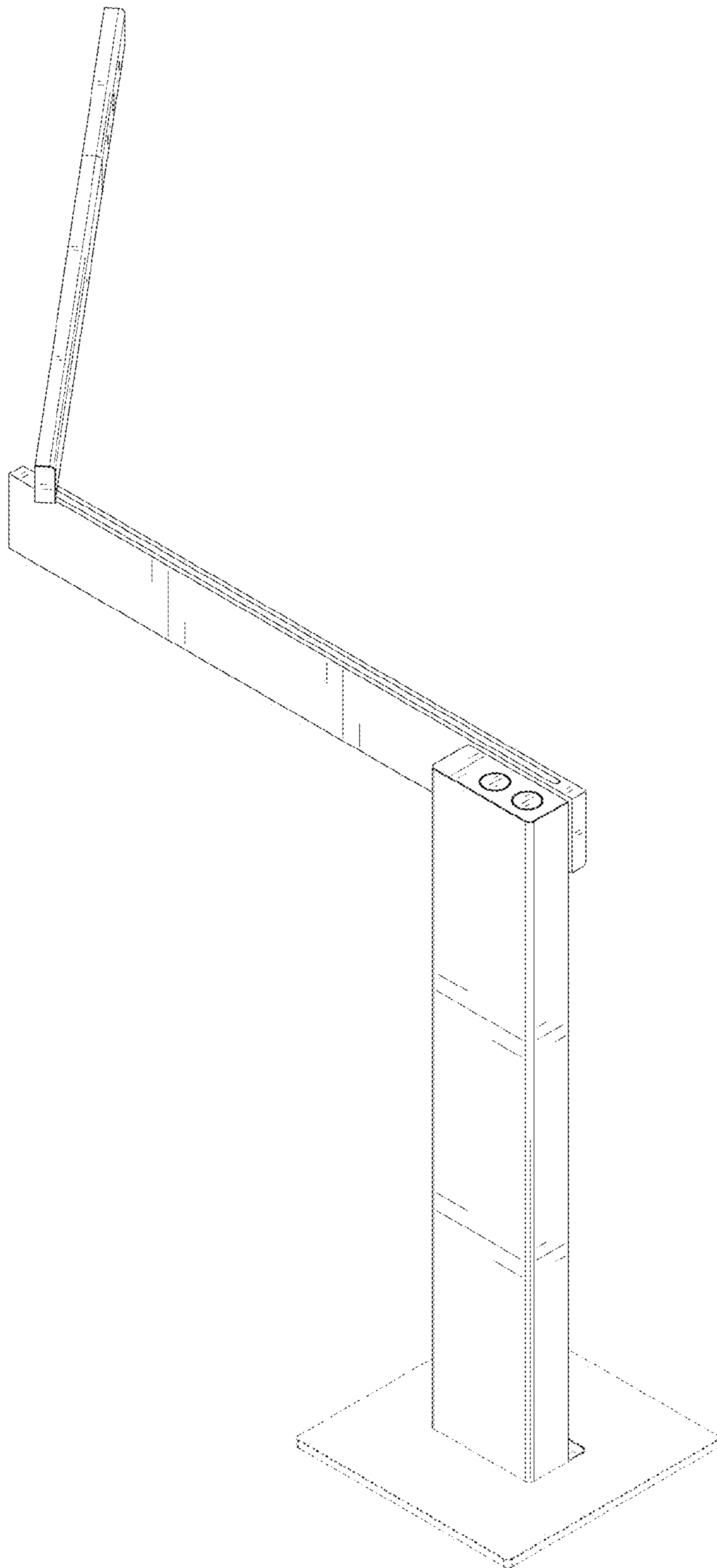


FIG. 3

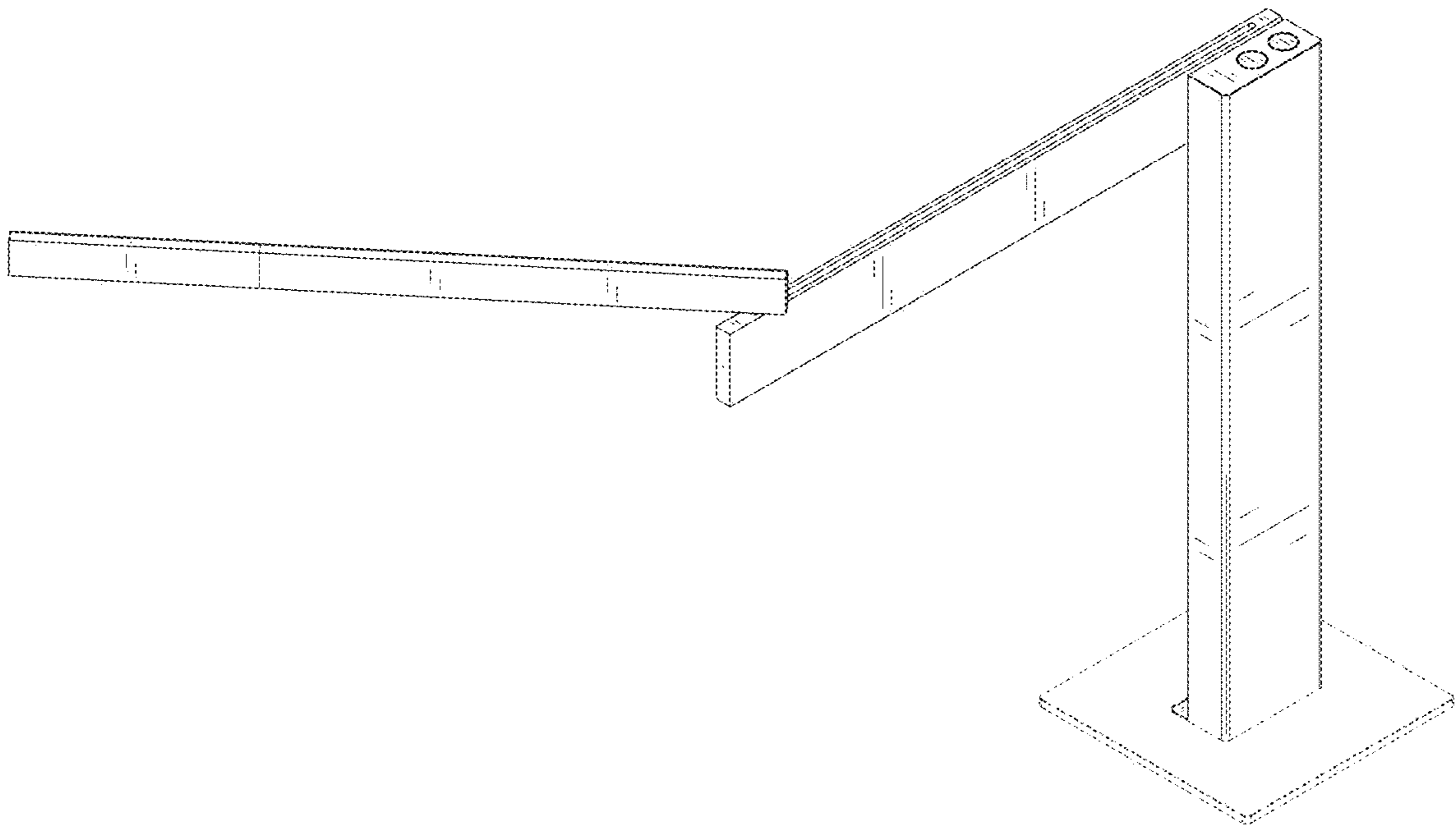


FIG. 4

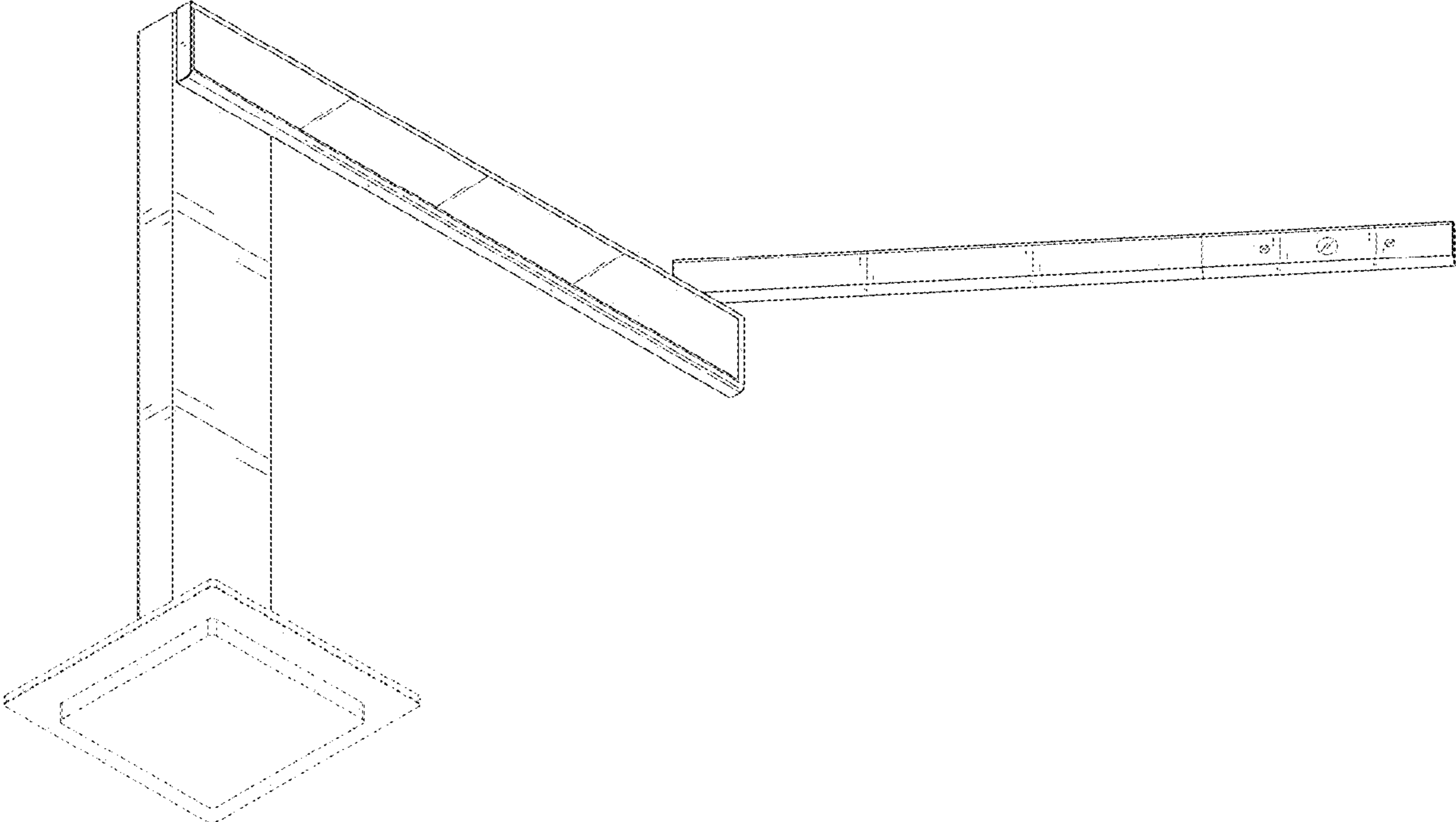


FIG. 5

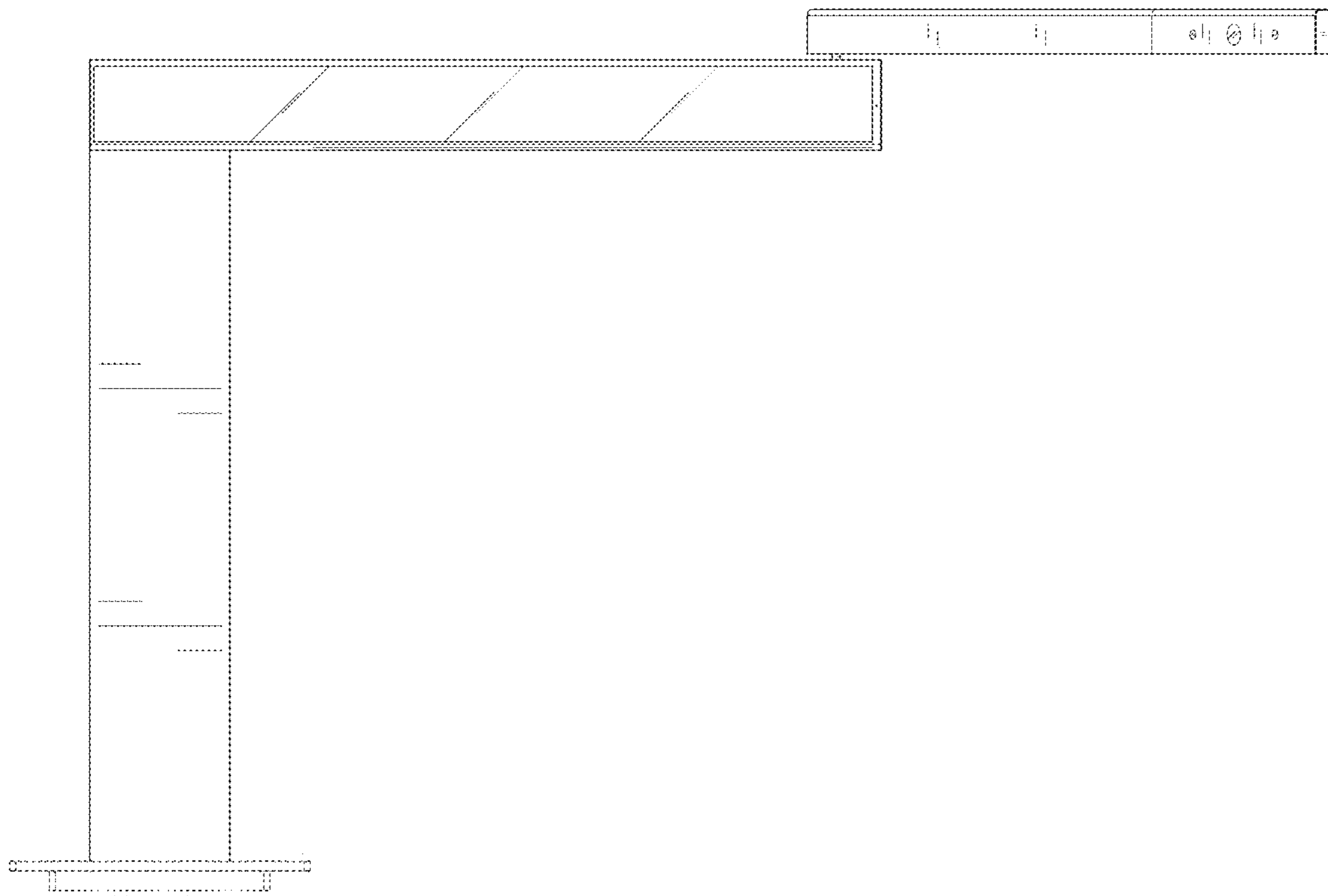


FIG. 6

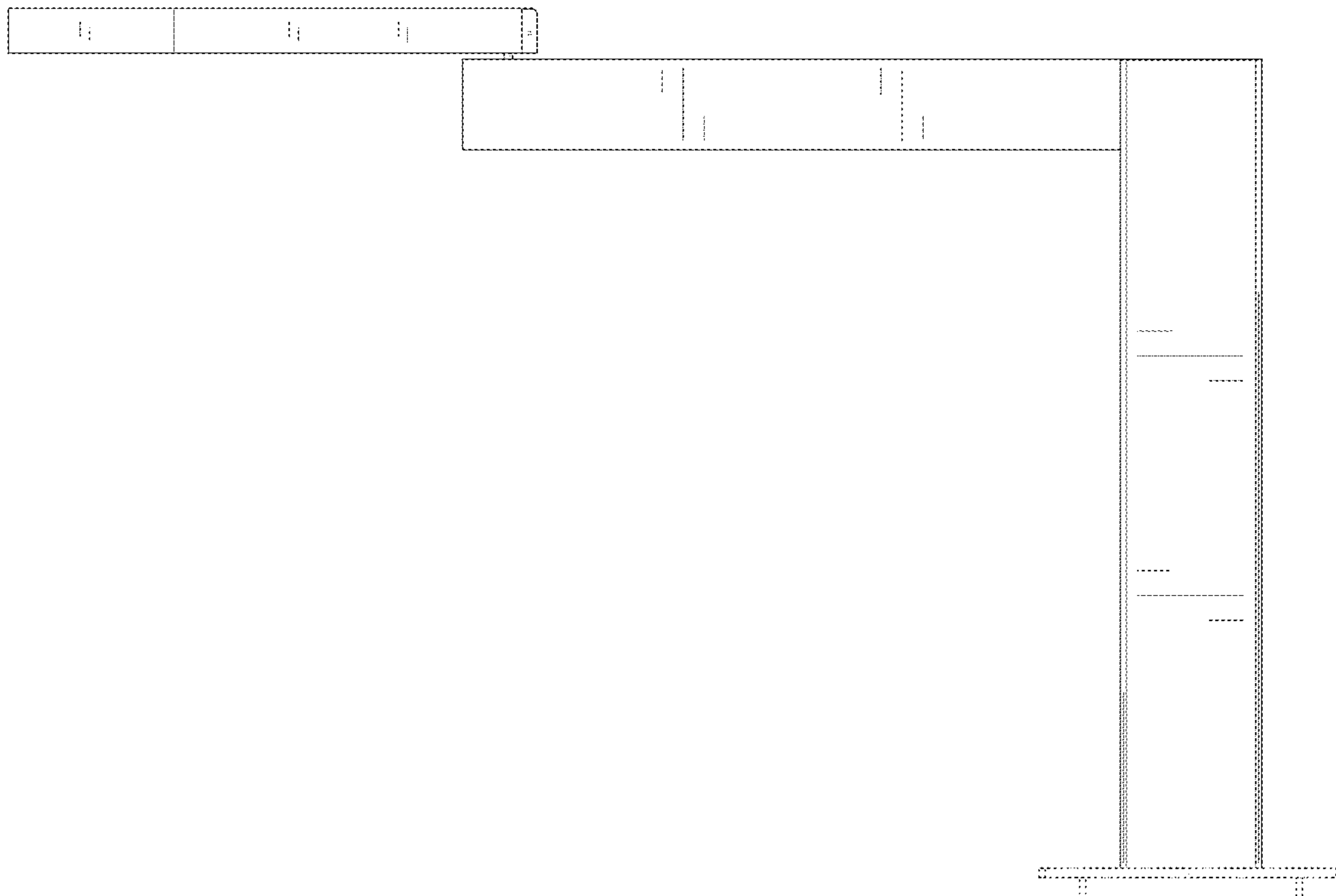


FIG. 7

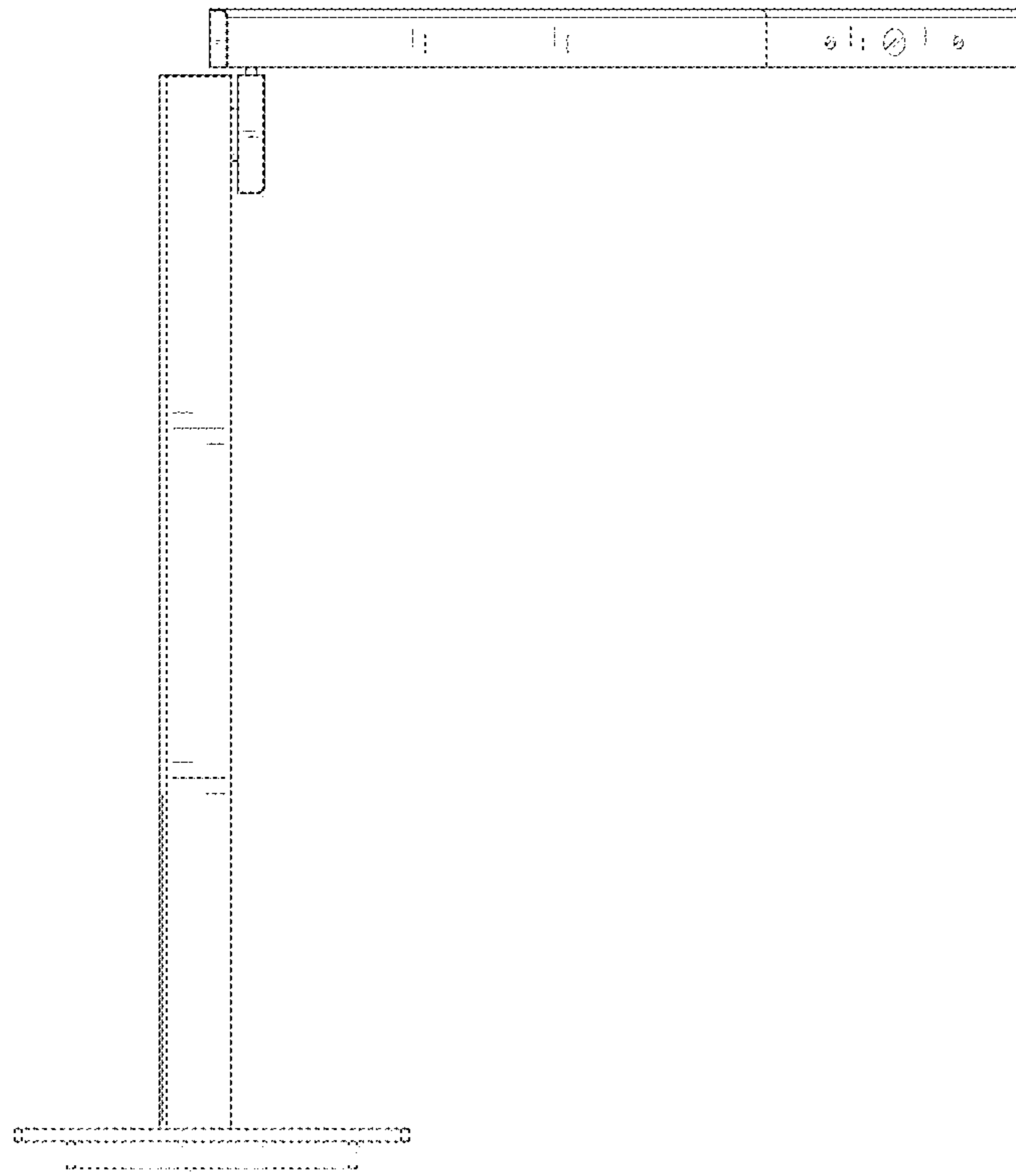


FIG. 8

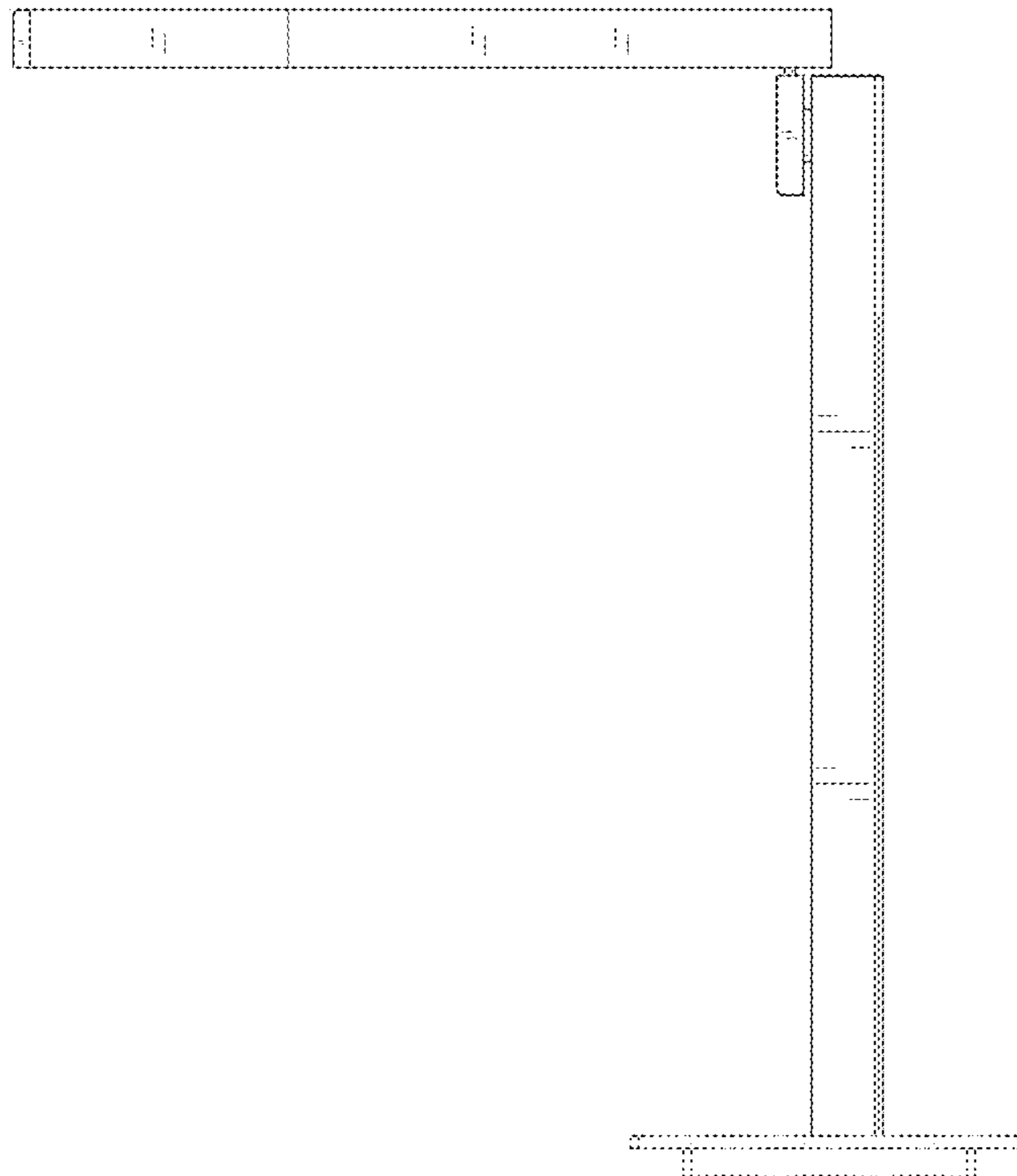


FIG. 9

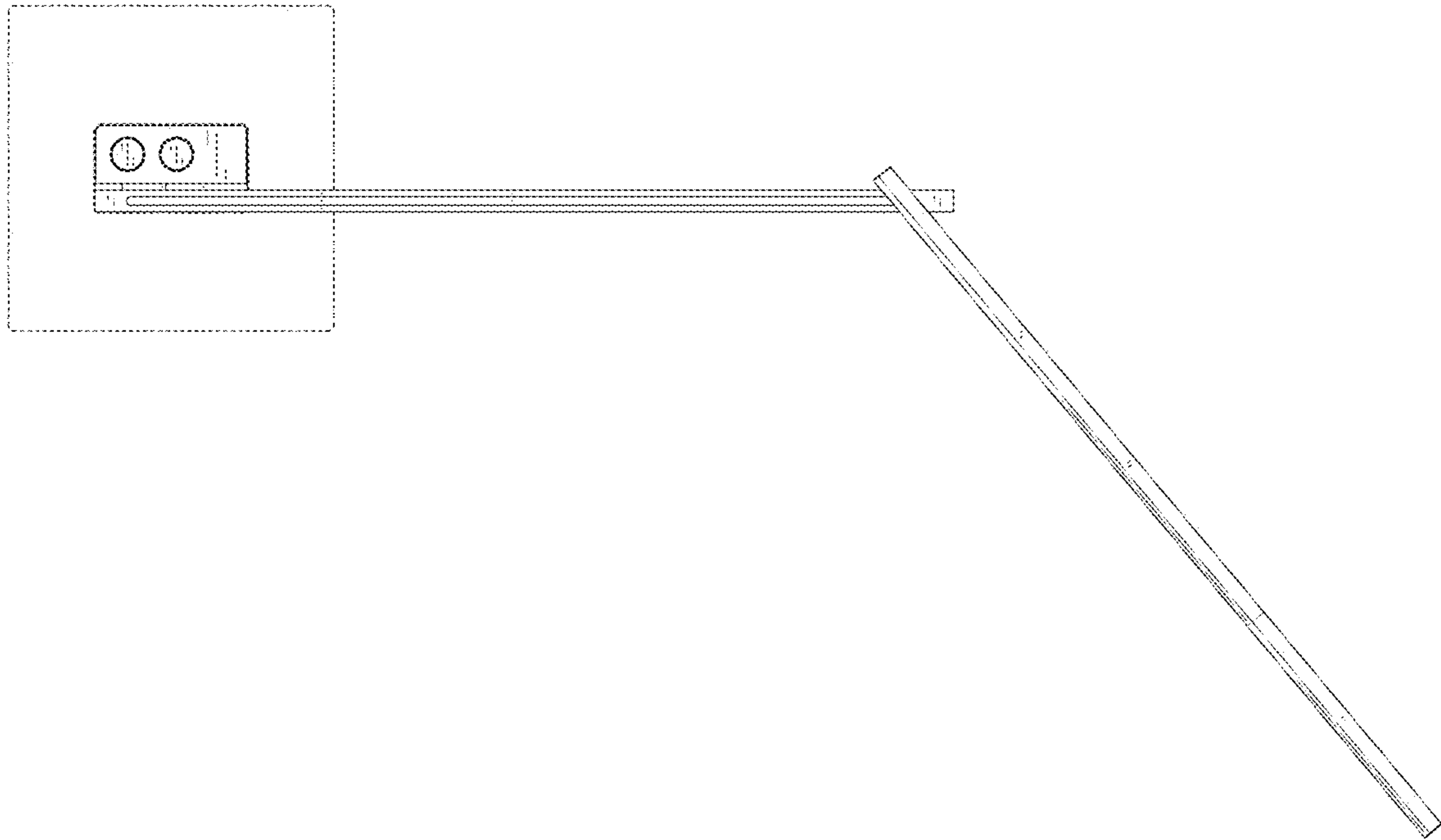


FIG. 10

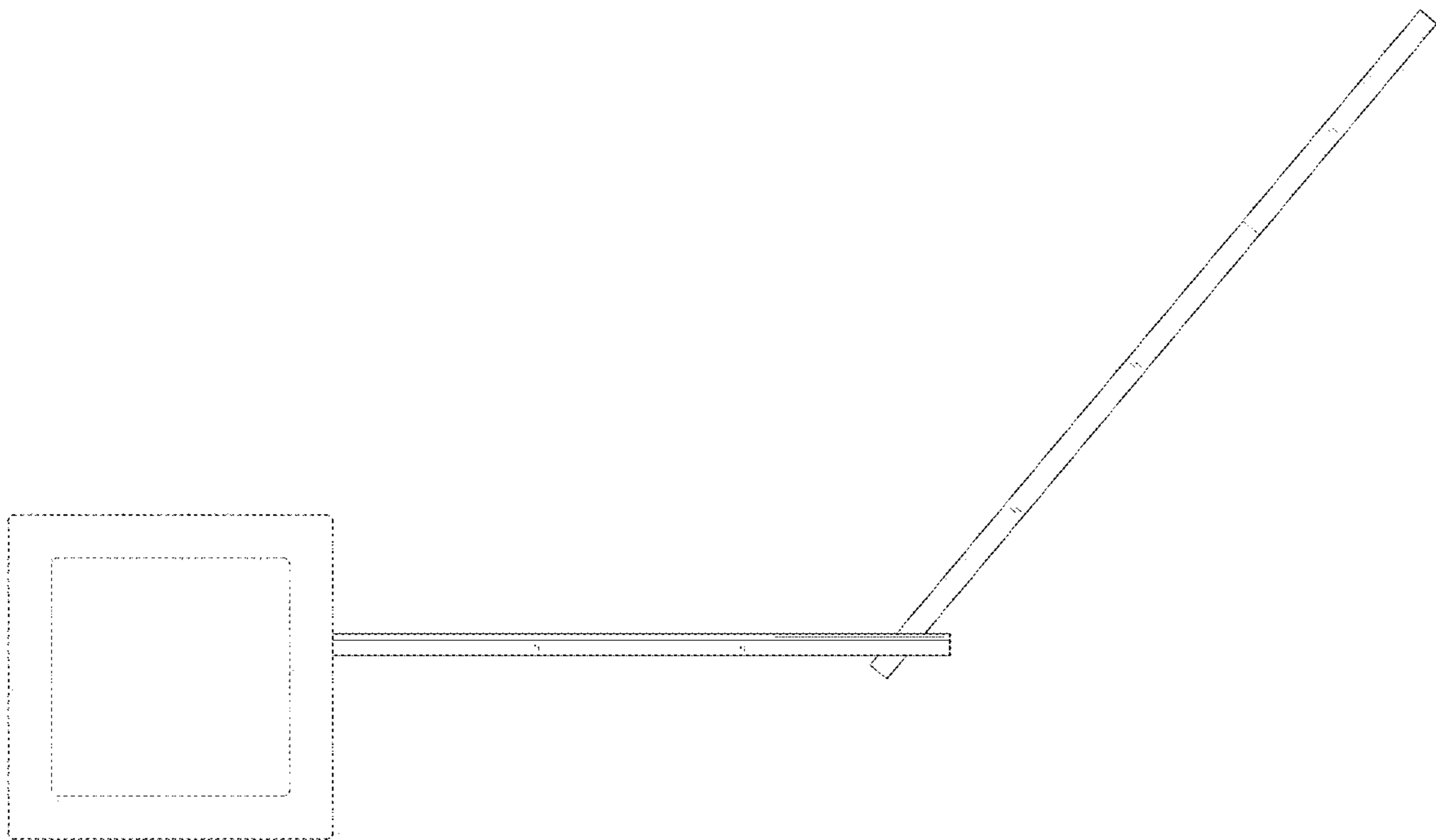


FIG. 11

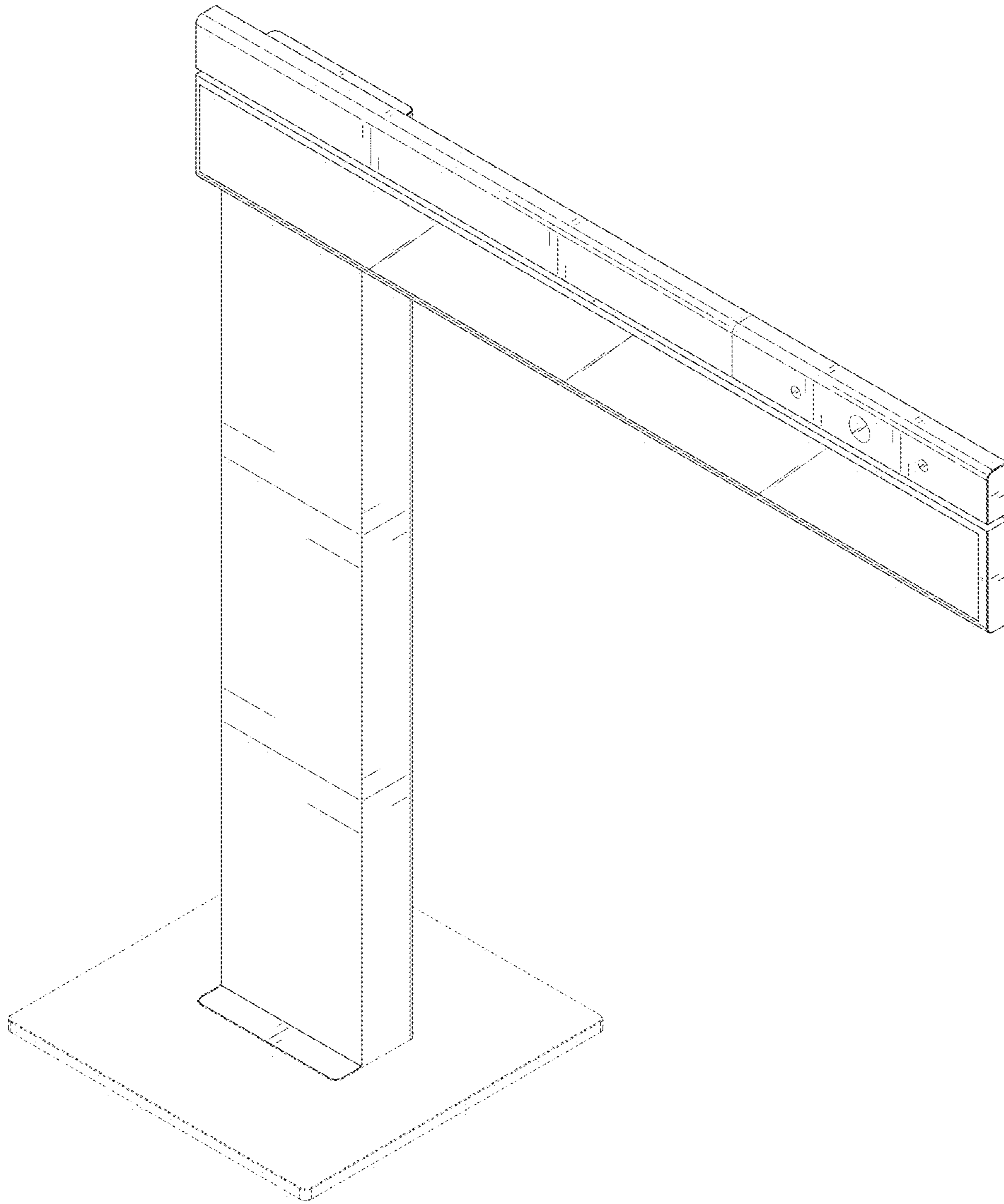


FIG. 12

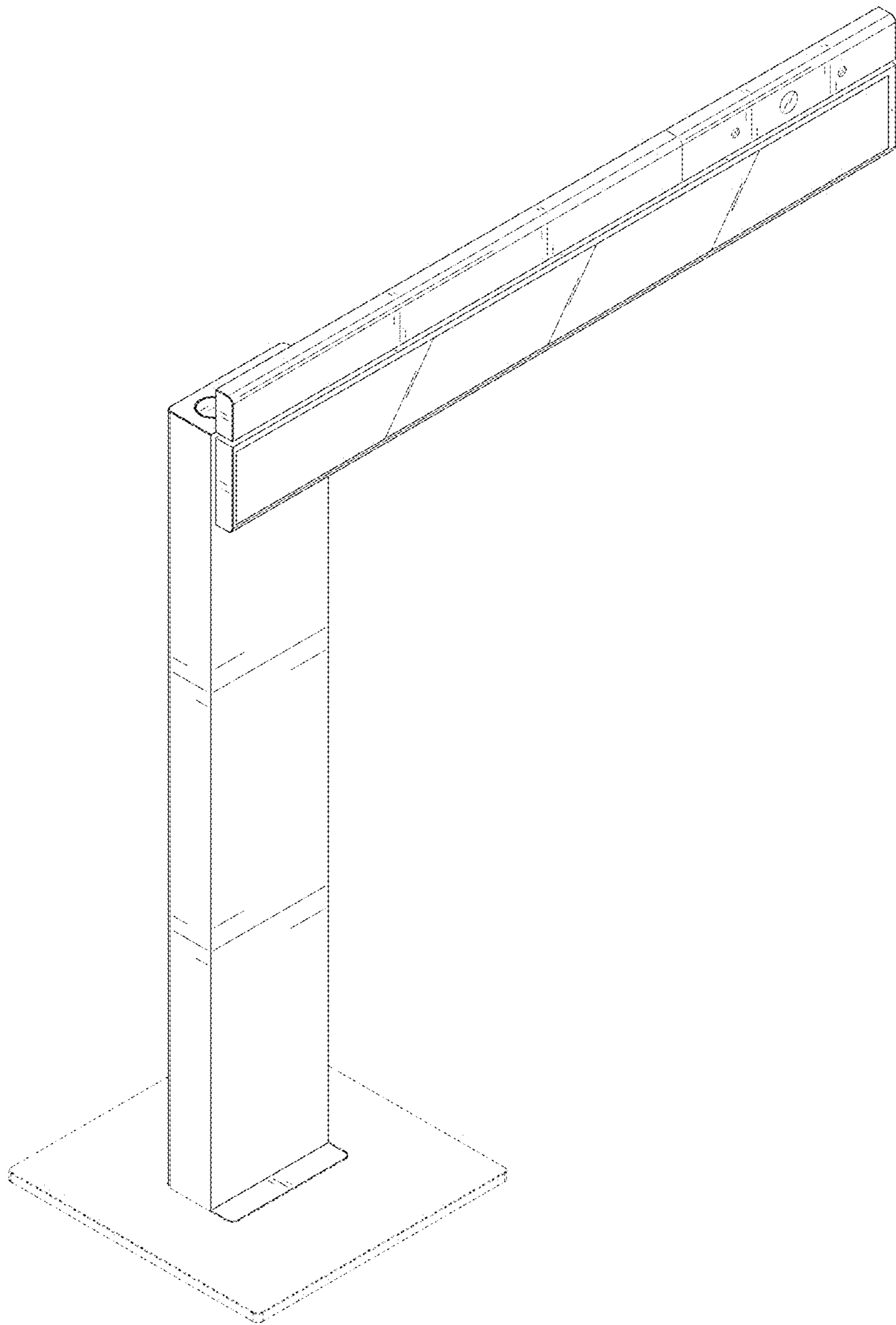


FIG. 13

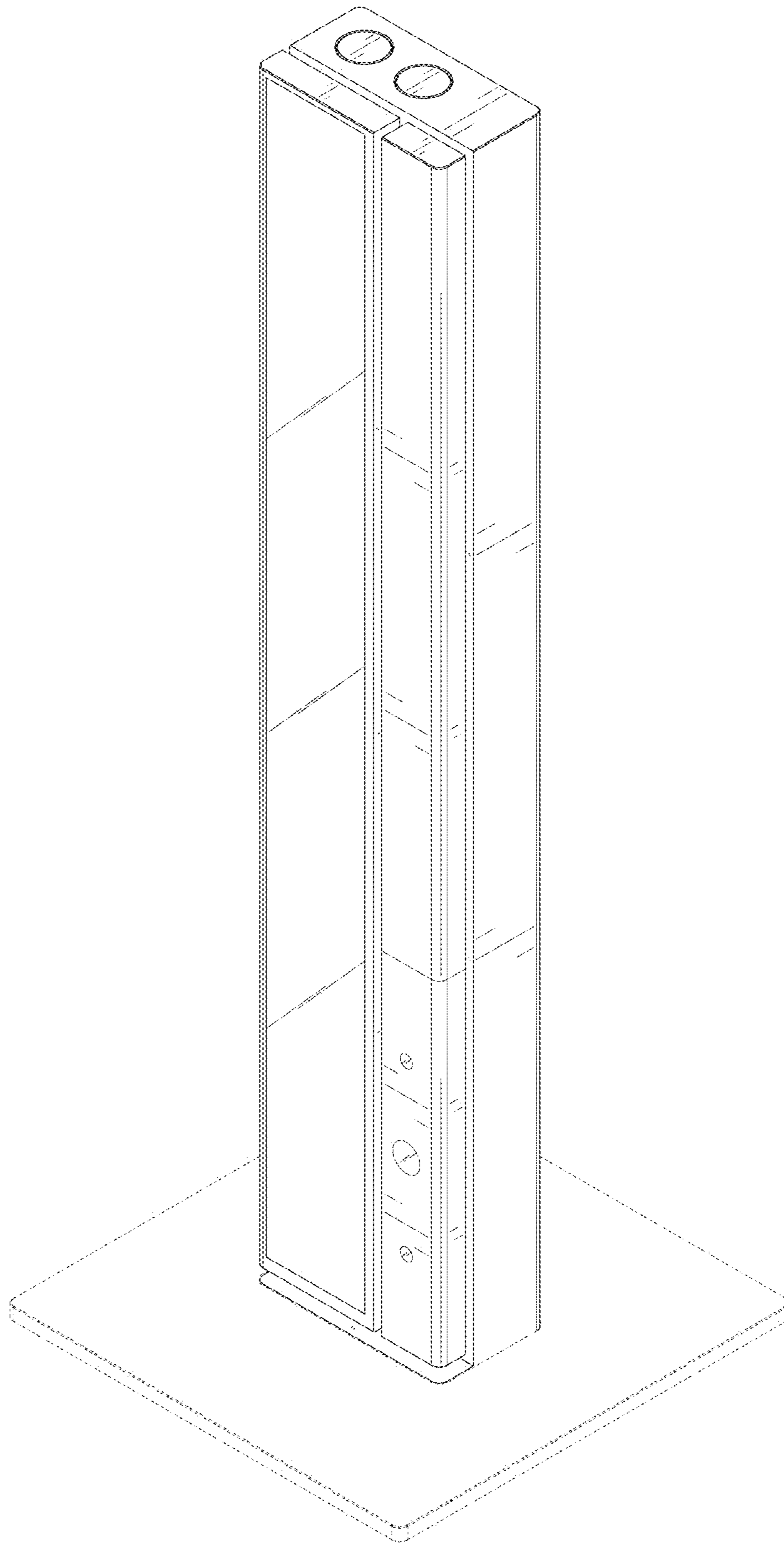


FIG. 14

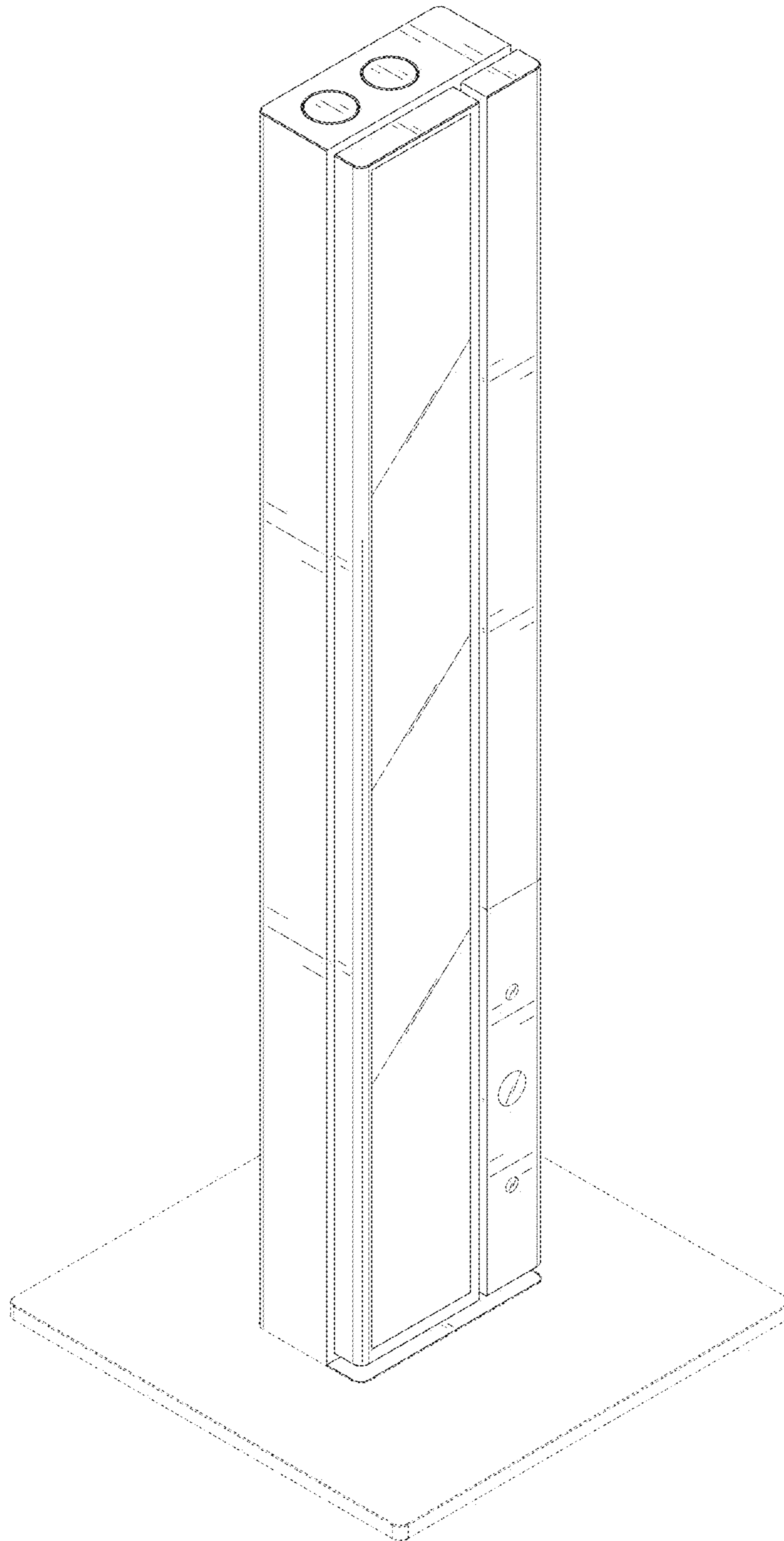


FIG. 15

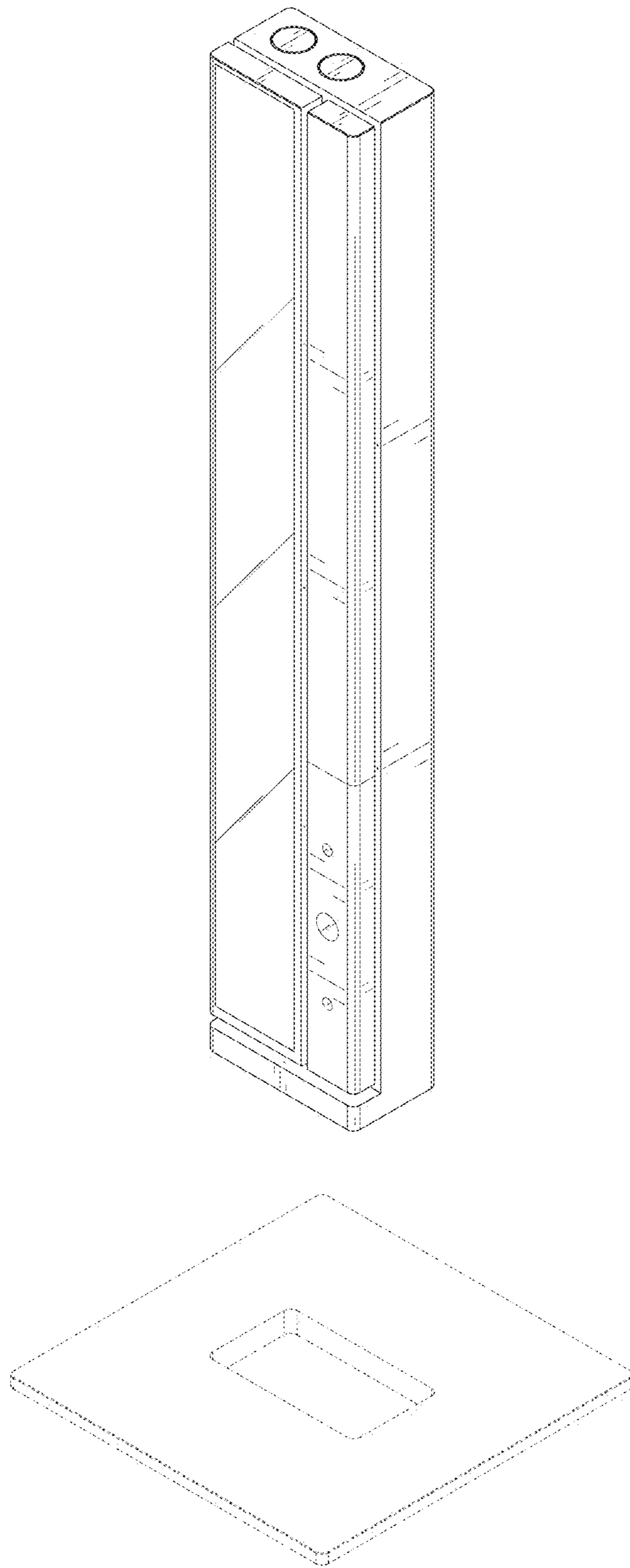


FIG. 16

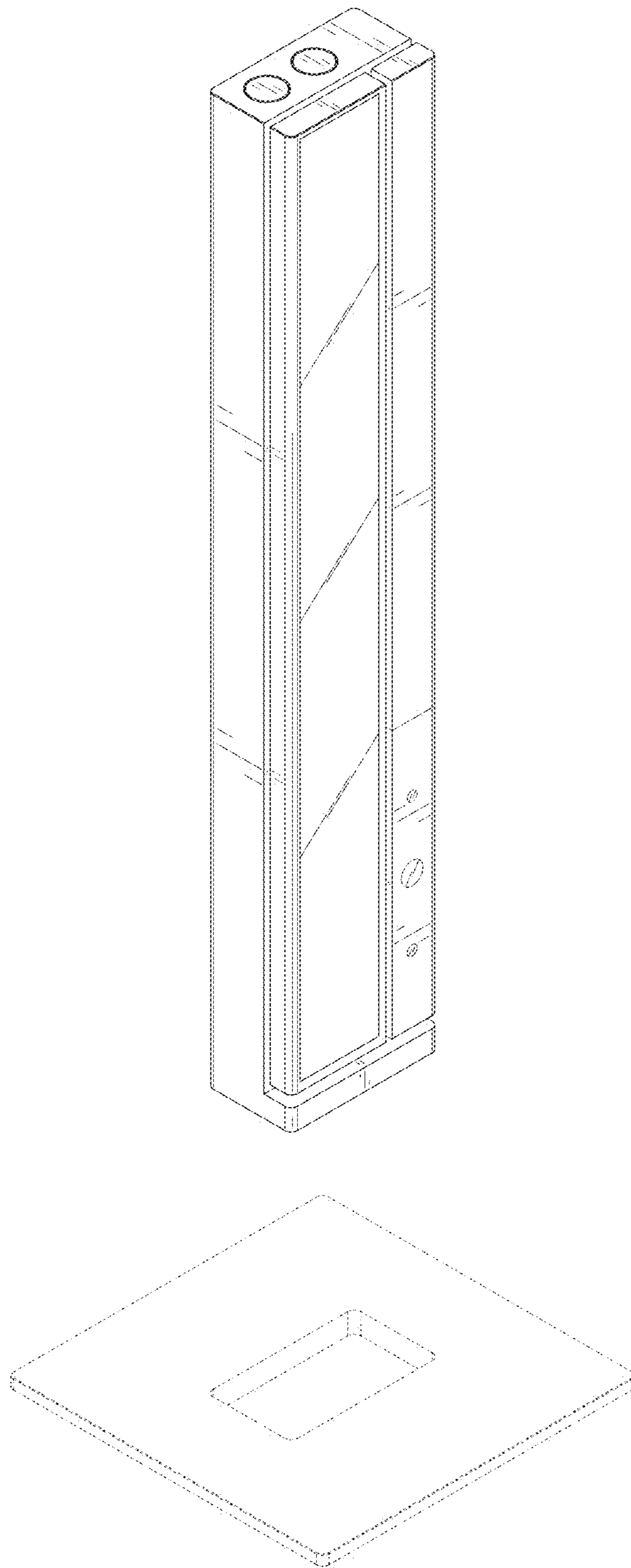


FIG. 17