



US00D975163S

(12) **United States Design Patent**
Ke

(10) **Patent No.:** **US D975,163 S**
(45) **Date of Patent:** **** Jan. 10, 2023**

- (54) **HUNTING TRAIL CAMERA**
- (71) Applicant: **Guangdong Outdoor Tech. Ltd,**
Dongguan (CN)
- (72) Inventor: **Xiumei Ke,** Dongguan (CN)
- (73) Assignee: **Guangdong Outdoor Tech. Ltd,**
Dongguan (CN)
- (**) Term: **15 Years**
- (21) Appl. No.: **29/853,293**
- (22) Filed: **Sep. 14, 2022**
- (51) **LOC (14) Cl.** **16-01**
- (52) **U.S. Cl.**
USPC **D16/203**
- (58) **Field of Classification Search**
USPC D16/200, 202–206, 218, 219, 242
CPC G03B 17/02; G03B 19/04; G03B 17/56;
G03B 17/04; G03B 15/03; H04N 5/2251;
H04N 5/2252; H04N 5/2253; H04N
5/2254; H04N 7/181; H04N 7/183; H04N
7/18; F16M 11/04; F16M 13/00
See application file for complete search history.

- D939,008 S * 12/2021 Jiang D16/203
- D940,225 S * 1/2022 Wang D16/203
- D945,512 S * 3/2022 Yu D16/203
- D956,848 S * 7/2022 Yu D16/203
- D956,849 S * 7/2022 Yu D16/203
- D956,850 S * 7/2022 Yu D16/203
- D957,501 S * 7/2022 Jiang D16/203
- D957,502 S * 7/2022 Jiang D16/203
- D959,534 S * 8/2022 Wang D16/203

* cited by examiner

Primary Examiner — Ramzi Almatrahi
(74) *Attorney, Agent, or Firm* — Georgi Korobanov

(57) **CLAIM**

The ornamental design for a hunting trail camera, as shown and described.

DESCRIPTION

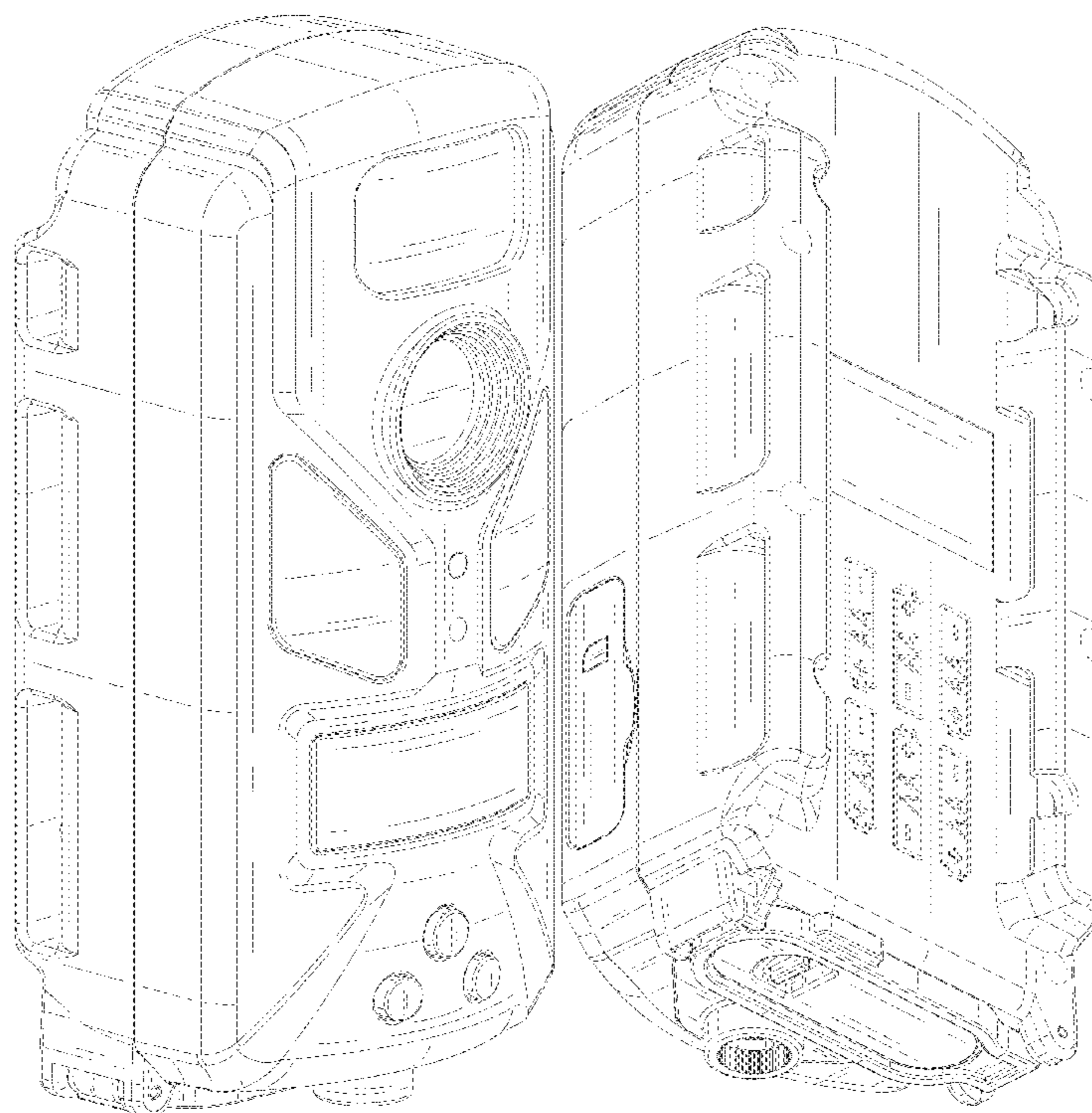
FIG. 1 is a front, top and left side perspective view of a hunting trail camera, showing my new design;
 FIG. 2 is a rear, bottom and right side perspective view thereof;
 FIG. 3 is a front view thereof;
 FIG. 4 is a rear view thereof;
 FIG. 5 is a left side view thereof;
 FIG. 6 is a right side view thereof;
 FIG. 7 is a top plan view thereof; and,
 FIG. 8 is a bottom plan view thereof.
 The broken lines shown in the drawings illustrate portions of the hunting trail camera that form no part of the claimed design.

(56) **References Cited**

U.S. PATENT DOCUMENTS

- D838,306 S 1/2019 Yu
- D838,763 S 1/2019 Yu
- D928,215 S * 8/2021 Jiang D16/203
- D928,216 S * 8/2021 Jiang D16/203
- D928,217 S * 8/2021 Jiang D16/203
- D932,535 S * 10/2021 Yu D16/203

1 Claim, 8 Drawing Sheets



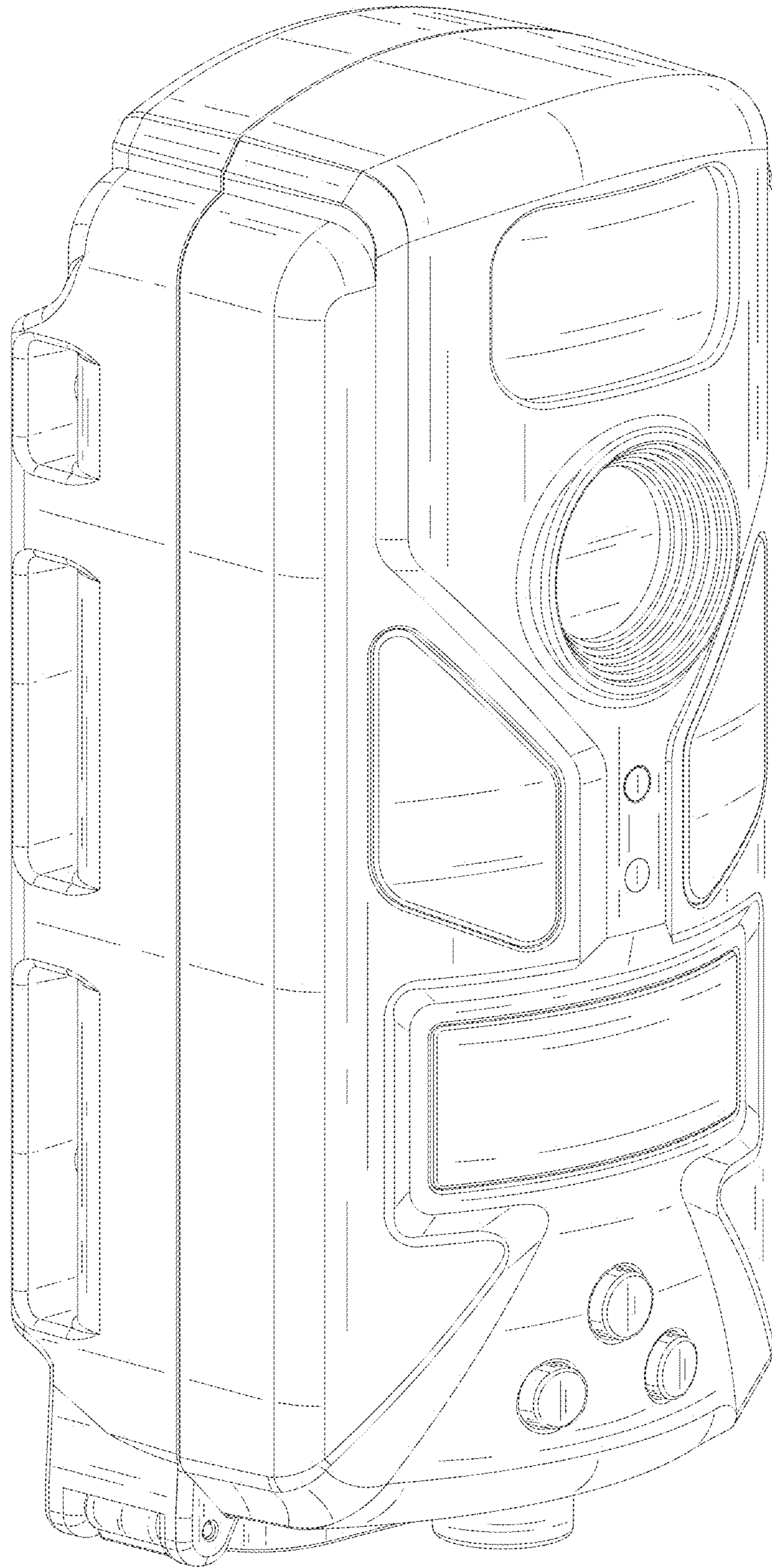


FIG. 1

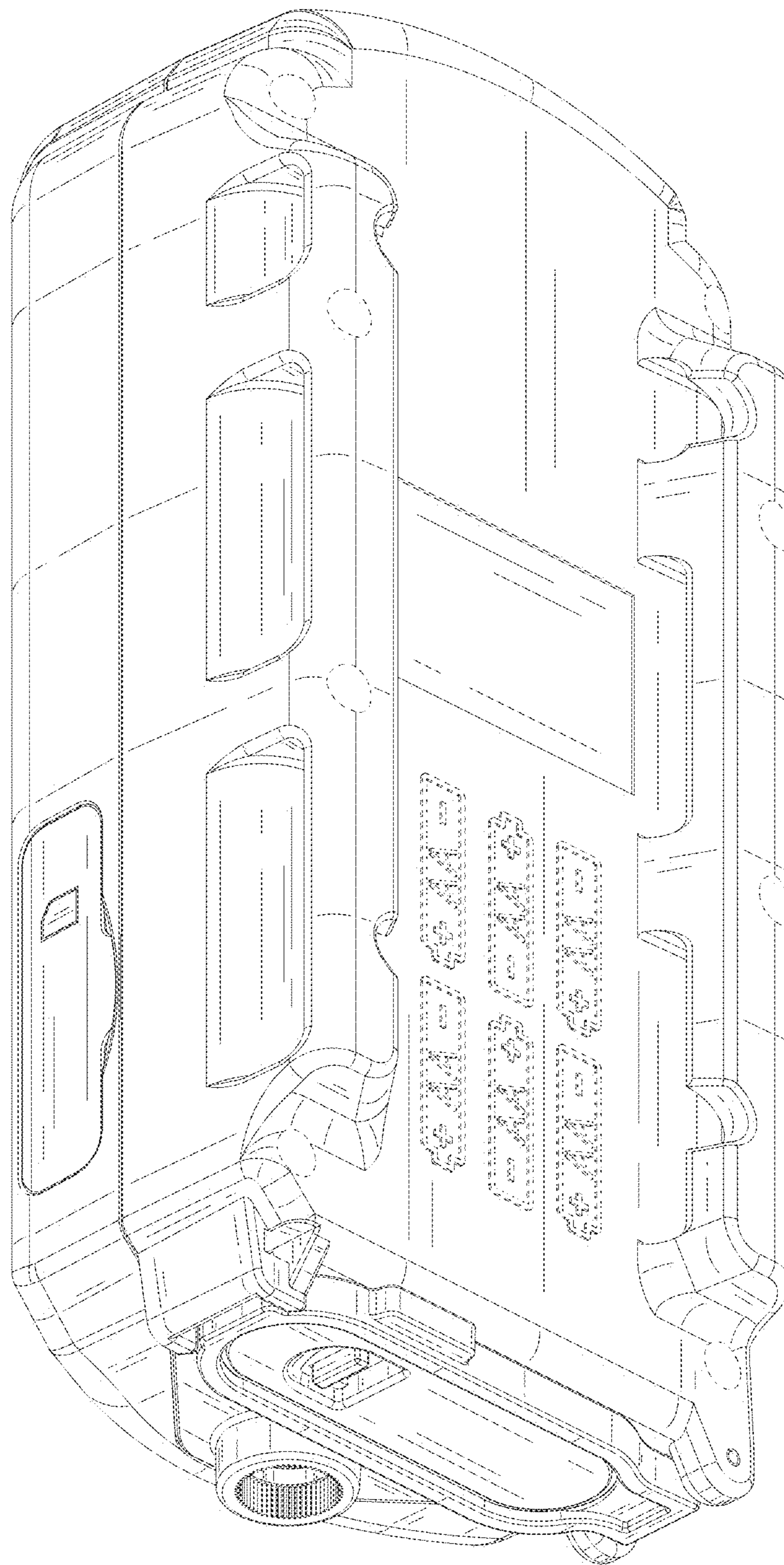


FIG. 2

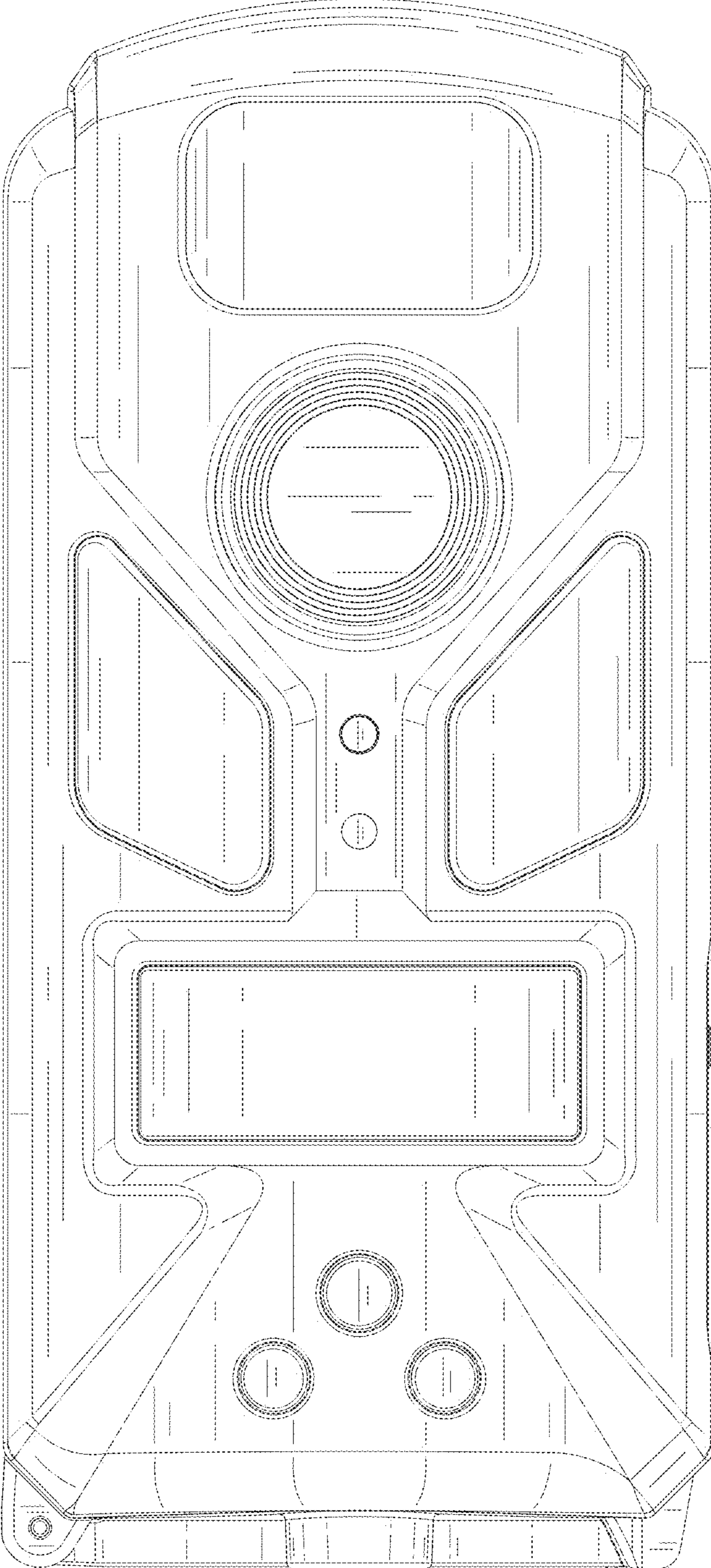


FIG. 3

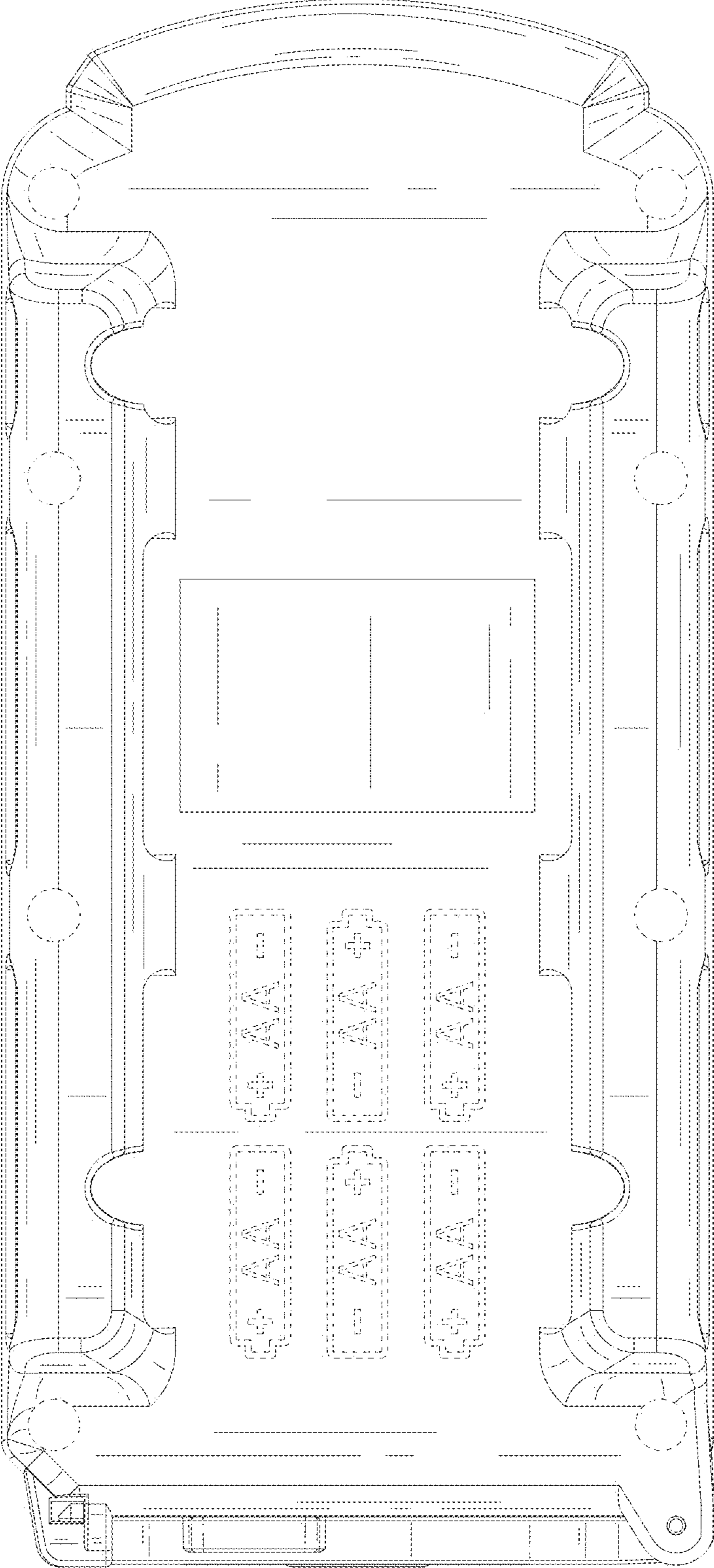


FIG. 4

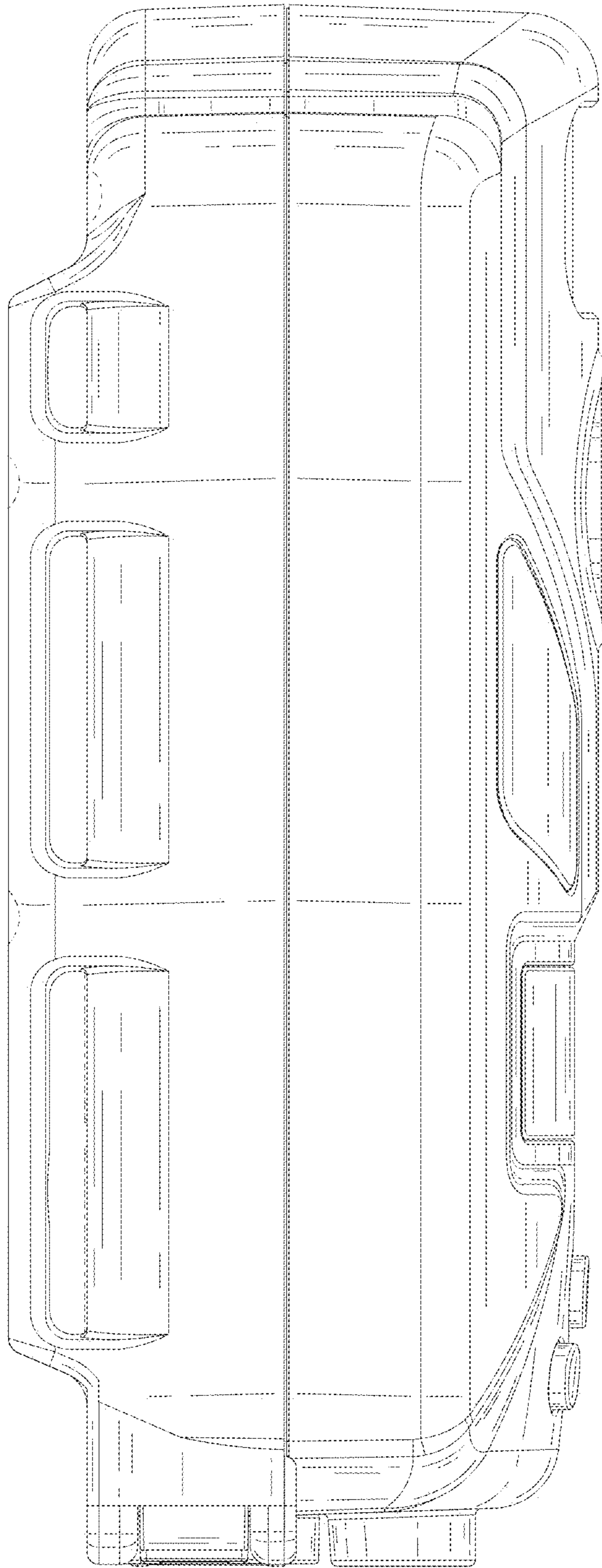


FIG. 5

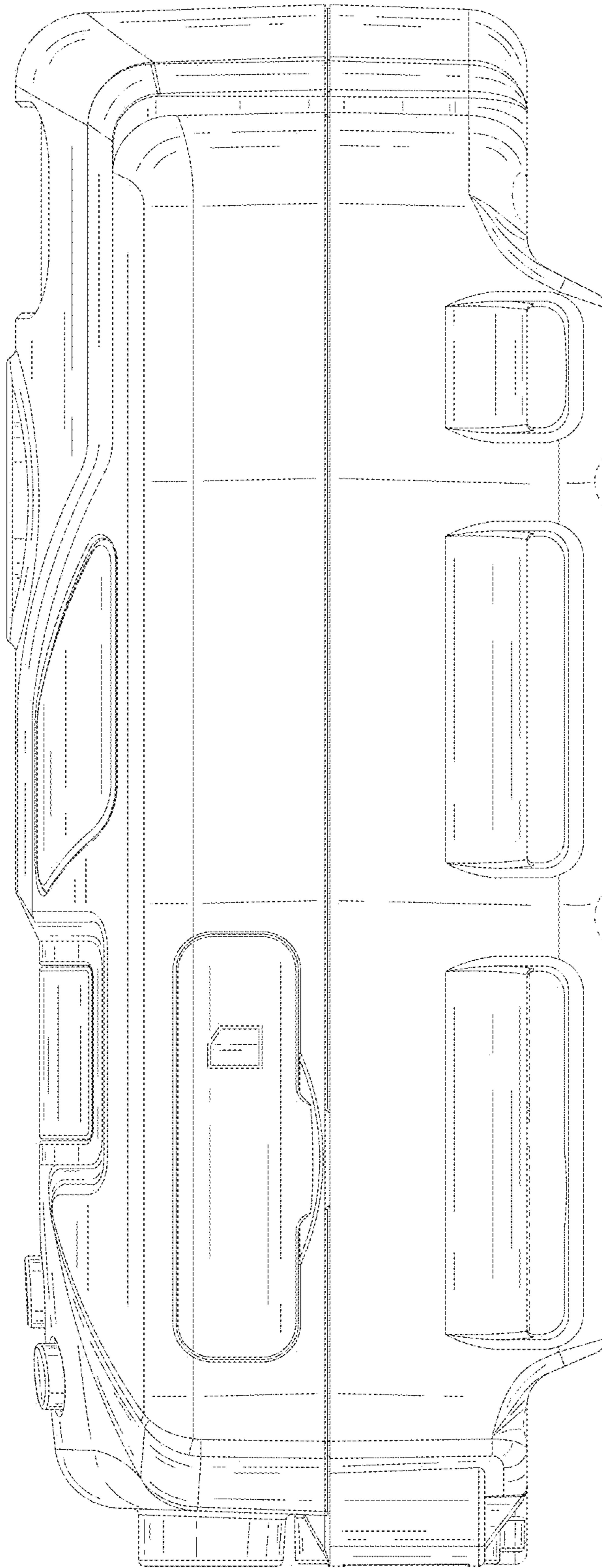


FIG. 6

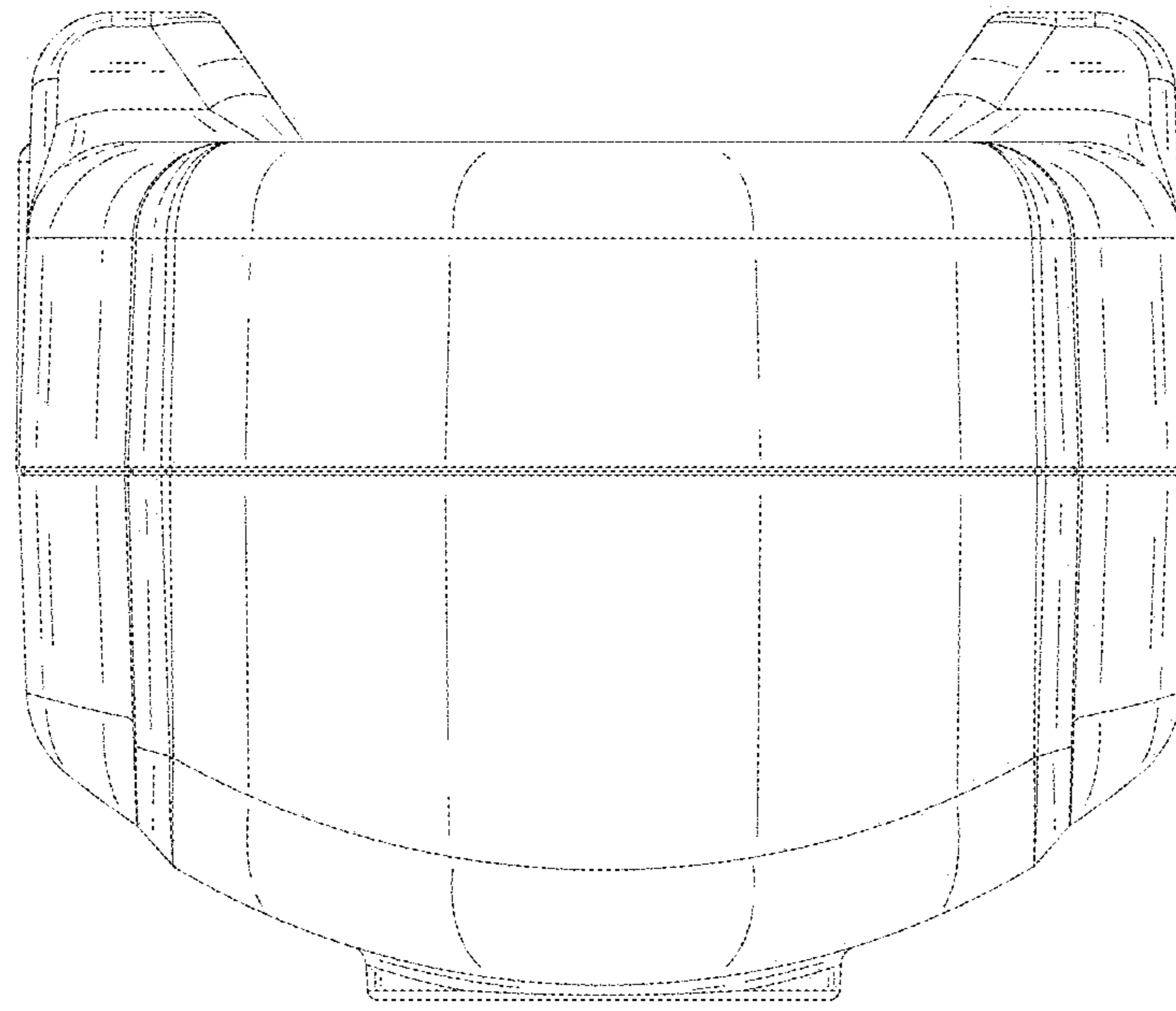


FIG. 7

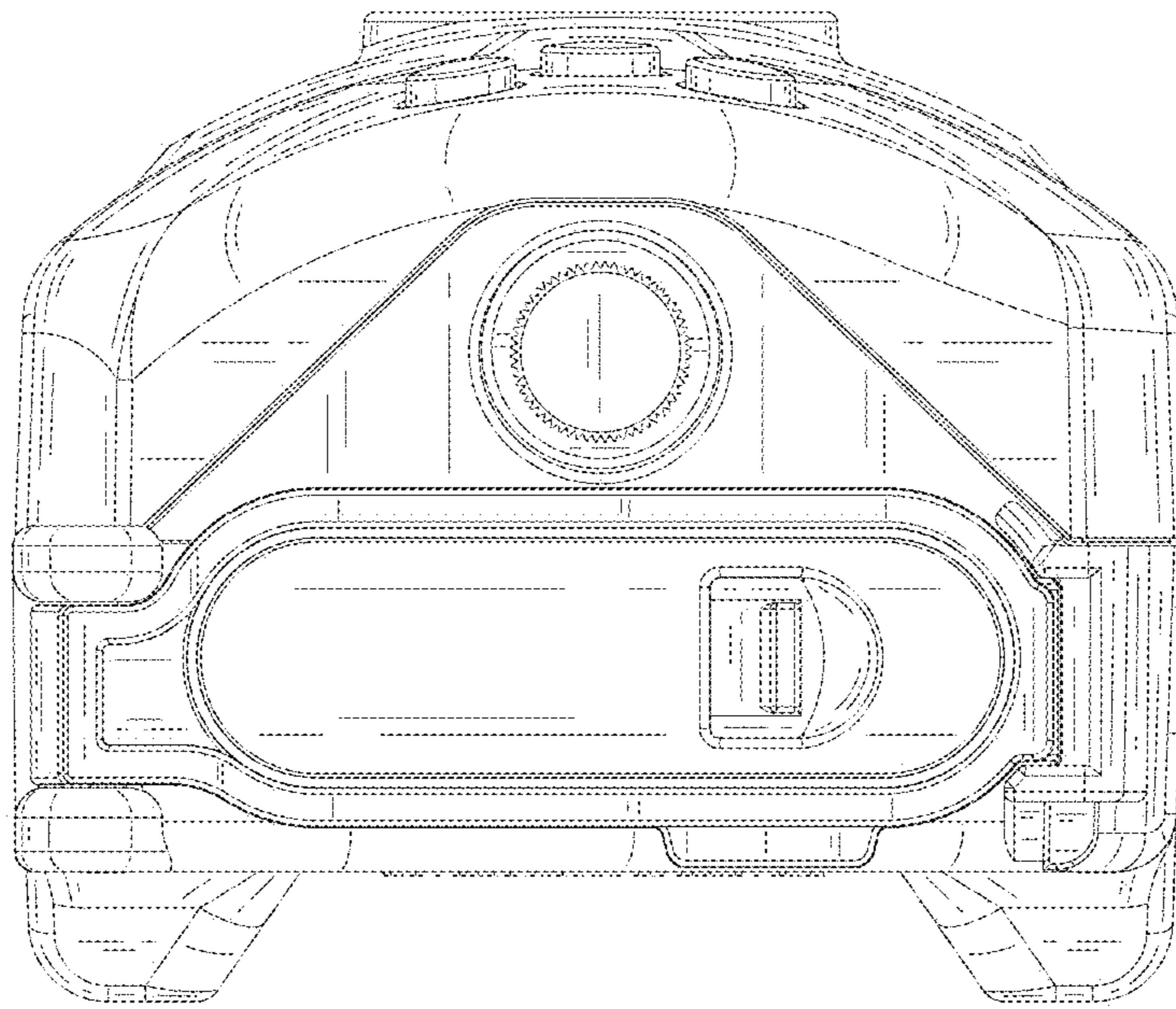


FIG. 8