



US00D975162S

(12) **United States Design Patent**
Feng

(10) **Patent No.:** **US D975,162 S**
(45) **Date of Patent:** **** Jan. 10, 2023**

(54) **PTZ INTEGRATED SOLAR MONITORING EQUIPMENT**

(71) Applicant: **Shenzhen Baijia Technology Co., Ltd.**,
Shenzhen (CN)

(72) Inventor: **Junlin Feng**, Shenzhen (CN)

(**) Term: **15 Years**

(21) Appl. No.: **29/811,267**

(22) Filed: **Oct. 13, 2021**

(51) **LOC (14) Cl.** **16-01**

(52) **U.S. Cl.**
USPC **D16/203**

(58) **Field of Classification Search**
USPC D16/200, 202–206, 218, 219, 242;
D26/120; 348/143, 148, 151, 373–376;
396/419, 427, 535, 539–541
CPC G03B 17/02; G03B 19/04; G03B 17/56;
G03B 17/04; G03B 15/03; H04N 5/2251;
H04N 5/2252; H04N 5/2253; H04N
5/2254; H04N 7/181; H04N 7/183; H04N
7/18; G08B 13/1963; G08B 13/19619;
G08B 13/19632; F16M 11/04; F16M
13/00

See application file for complete search history.

(56) **References Cited**

U.S. PATENT DOCUMENTS

D701,258 S * 3/2014 Huang D16/203
D734,379 S * 7/2015 Tankersley D16/203

D812,668 S * 3/2018 Elie D16/202
D818,026 S * 5/2018 Ravat D16/203
D824,446 S * 7/2018 Ravat D16/203
D824,447 S * 7/2018 Li D16/203
D863,399 S * 10/2019 Li D16/203
D875,811 S * 2/2020 Xiong D16/208
D876,514 S * 2/2020 Siminoff et al.
D881,446 S * 4/2020 Lafleur D26/120
D901,571 S * 11/2020 Liu D16/203
D924,961 S * 7/2021 Xu D16/203
D942,524 S * 2/2022 Xu D16/203
2013/0286280 A1* 10/2013 Siann H04N 5/2252
348/372

* cited by examiner

Primary Examiner — Ramzi Almatrahi

(57) **CLAIM**

The ornamental design for a PTZ integrated solar monitoring equipment, substantially as shown and described.

DESCRIPTION

FIG. 1 is a bottom, front and right side perspective view of a PTZ integrated solar monitoring equipment showing my new design;

FIG. 2 is a front elevational view thereof;

FIG. 3 is a rear elevational view thereof;

FIG. 4 is a left side elevational view thereof;

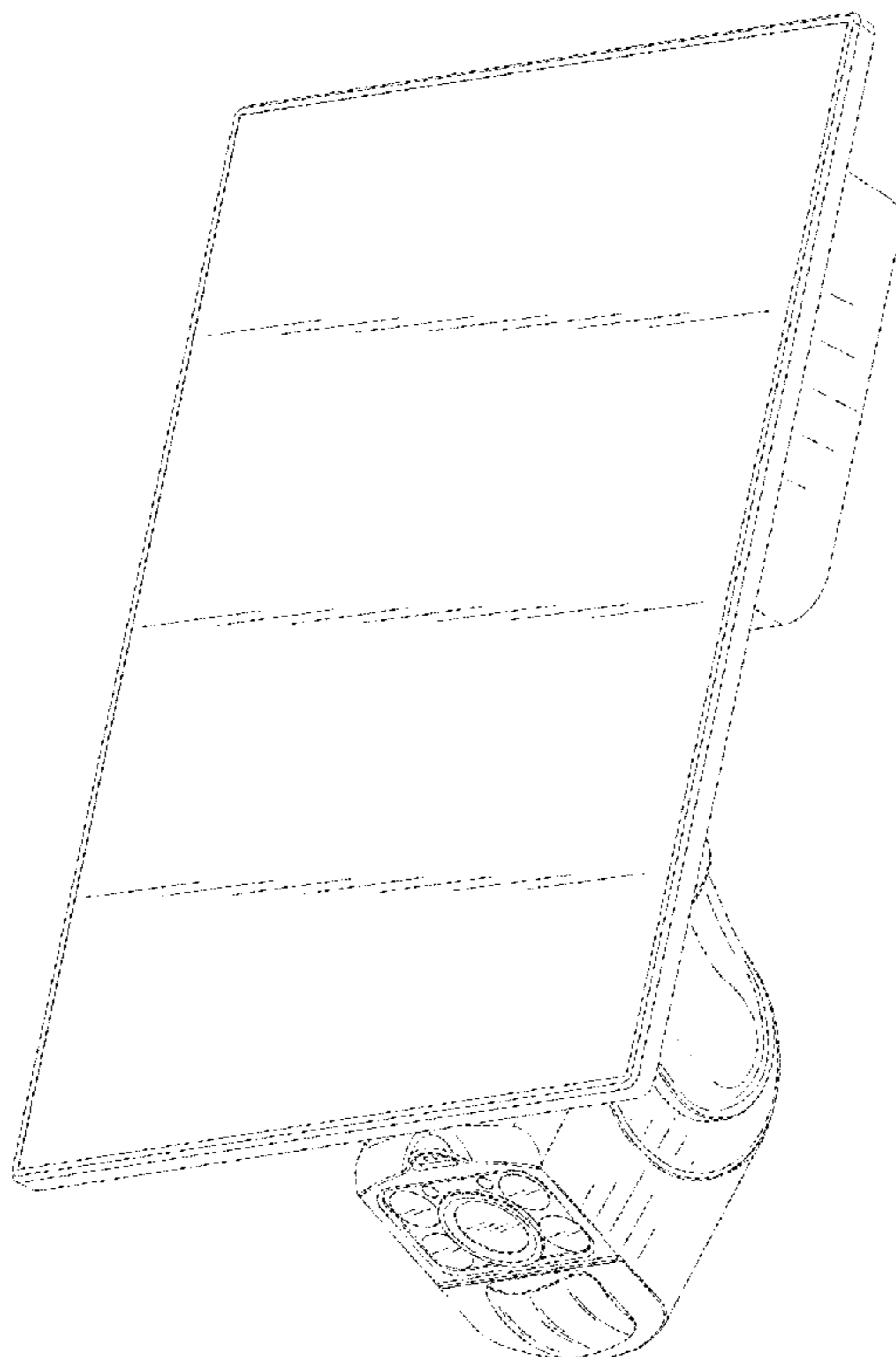
FIG. 5 is a right side elevational view thereof;

FIG. 6 is a top plan view thereof; and,

FIG. 7 is a bottom plan view thereof.

The broken lines depict portions of the PTZ integrated solar monitoring equipment in which the design is embodied that form no part of the claimed design.

1 Claim, 7 Drawing Sheets



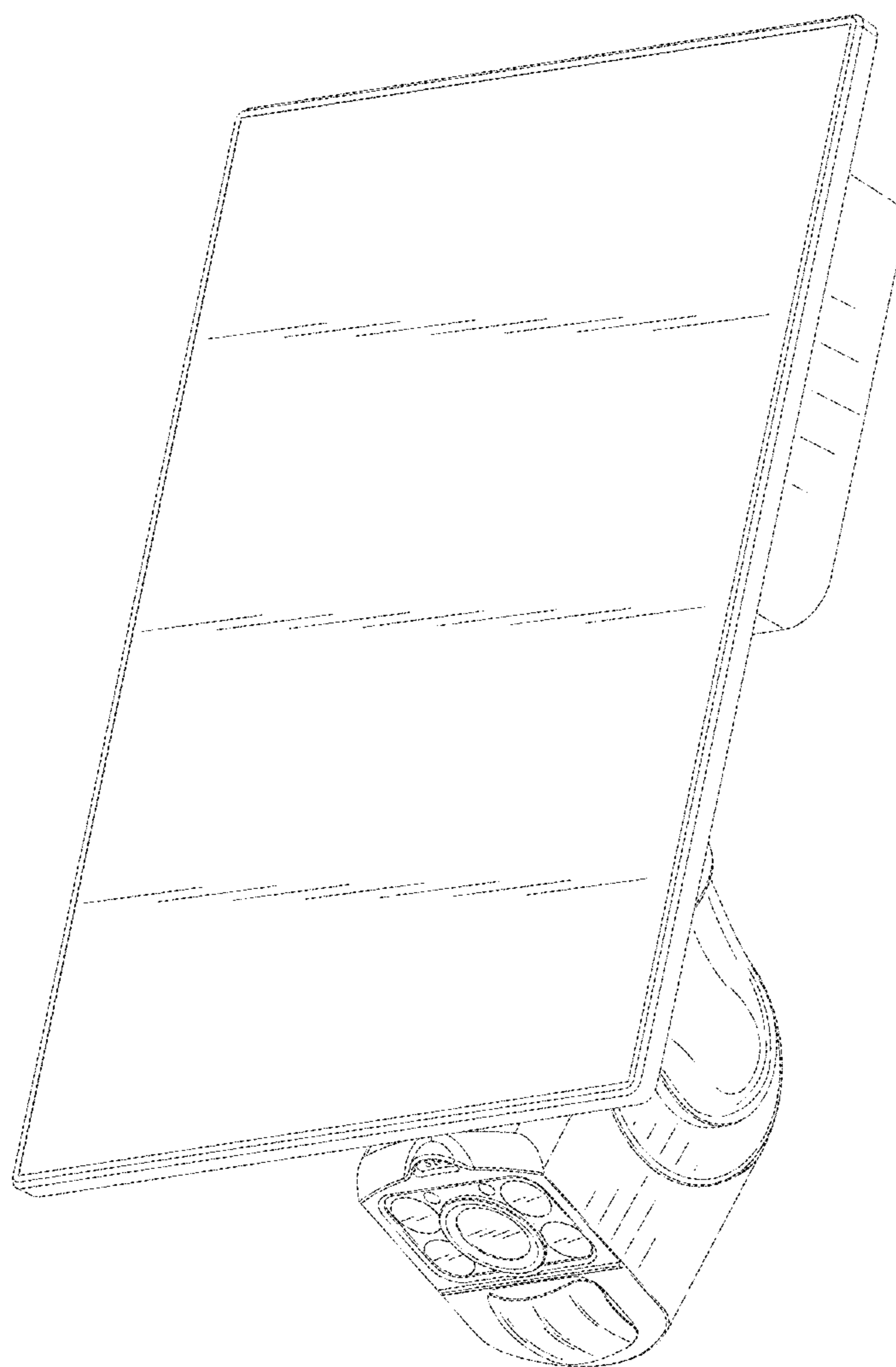


FIG. 1

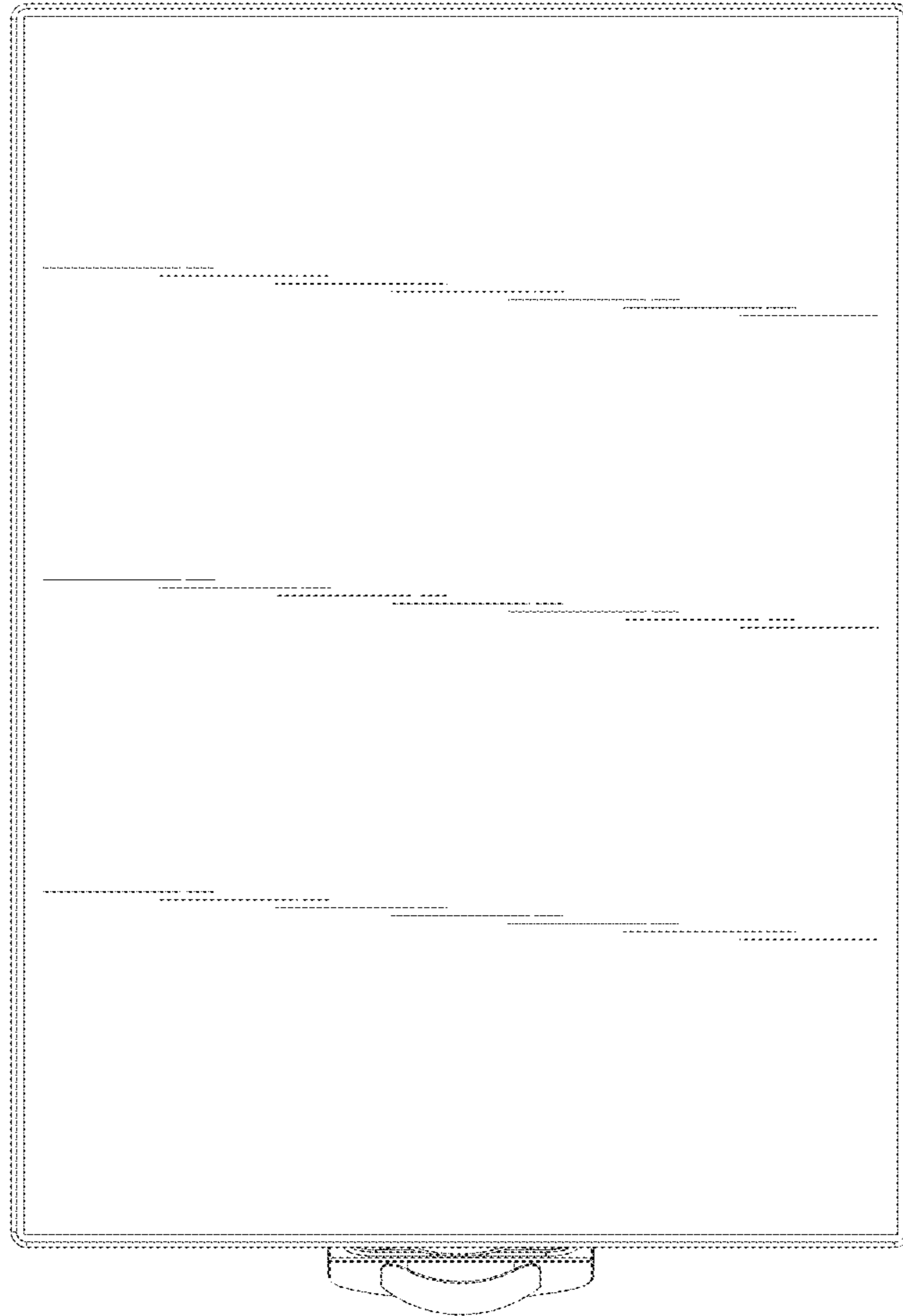


FIG. 2

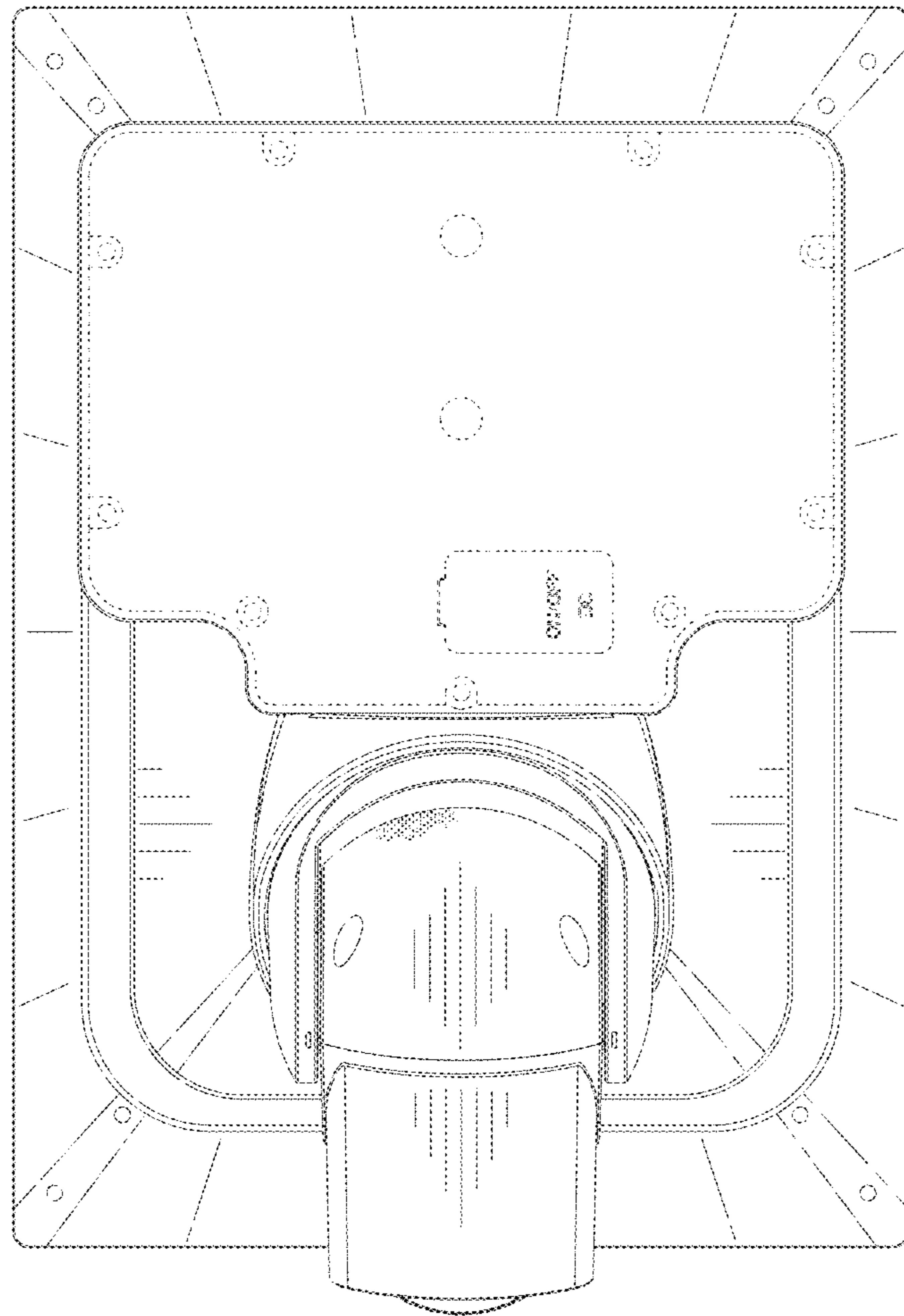


FIG. 3

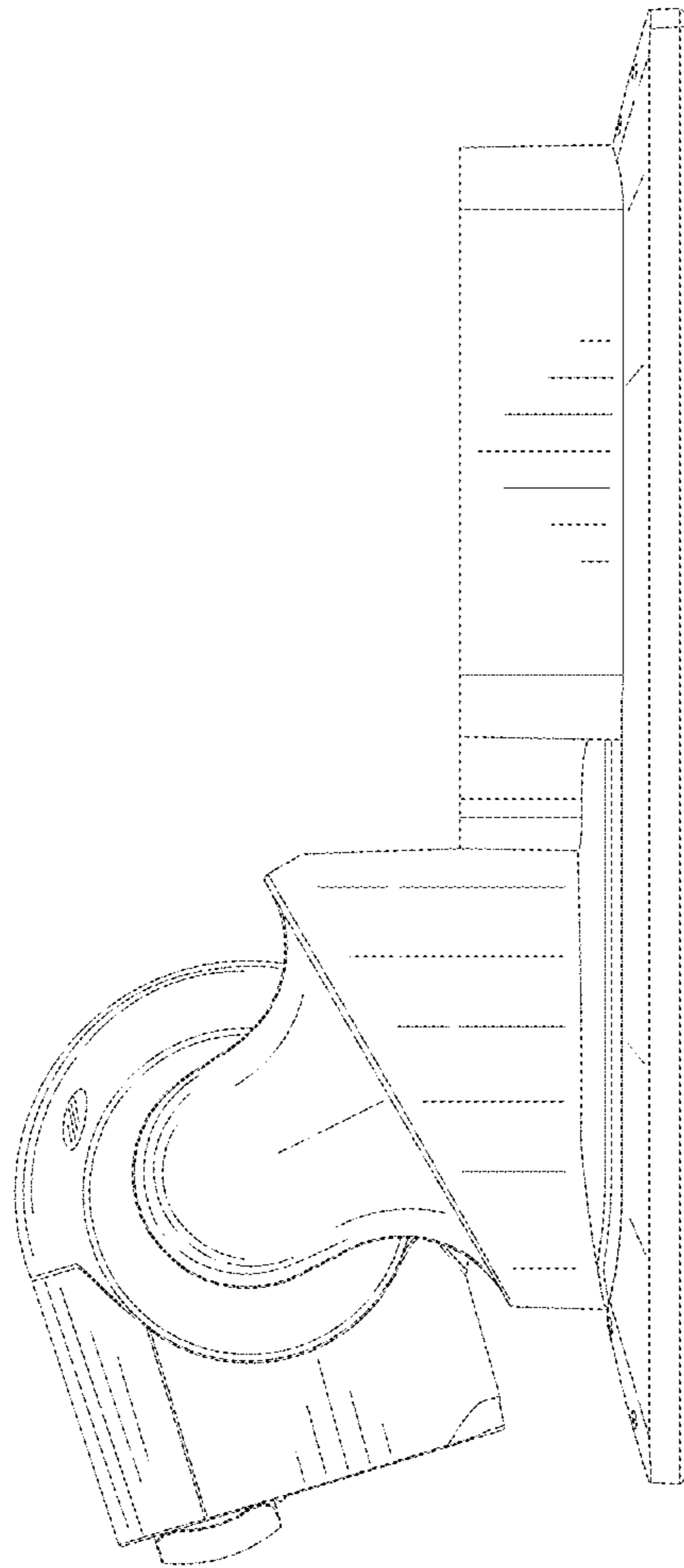


FIG. 4

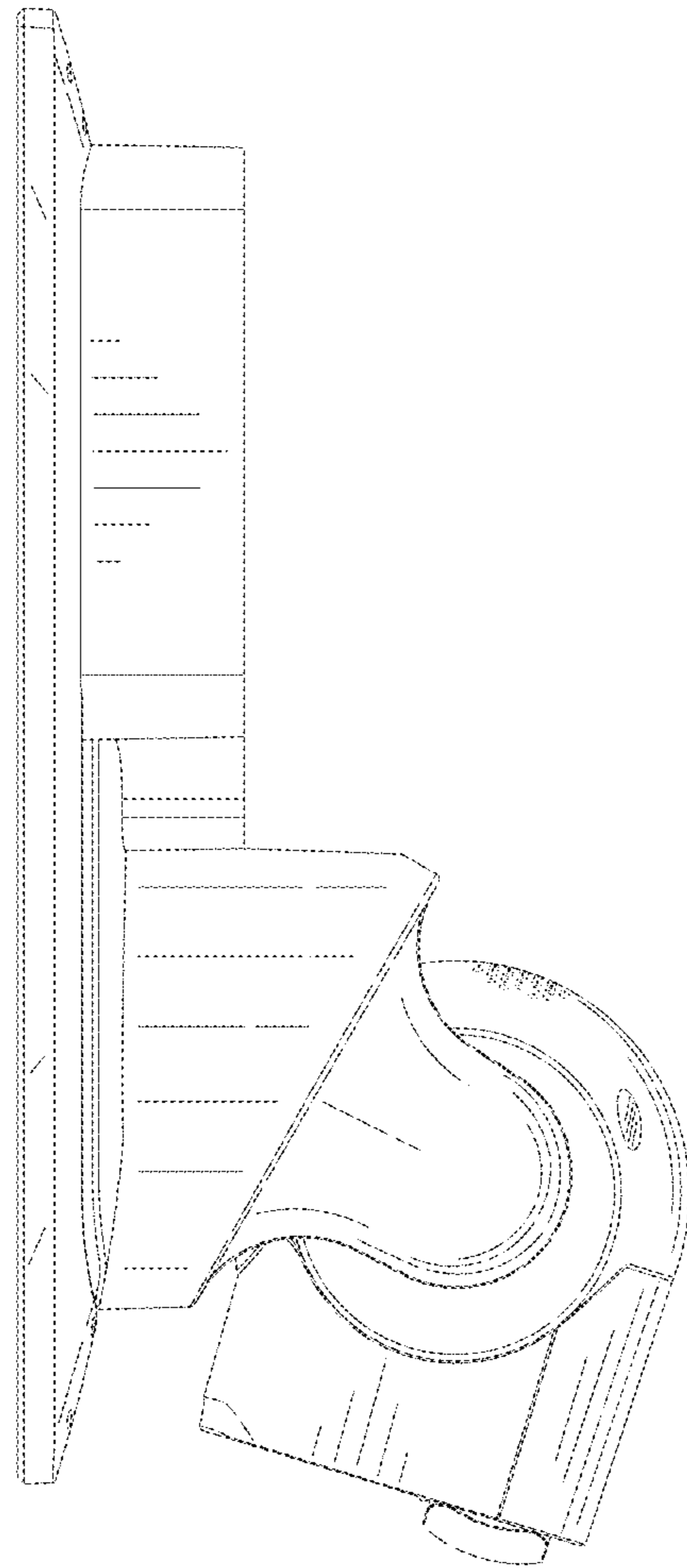


FIG. 5

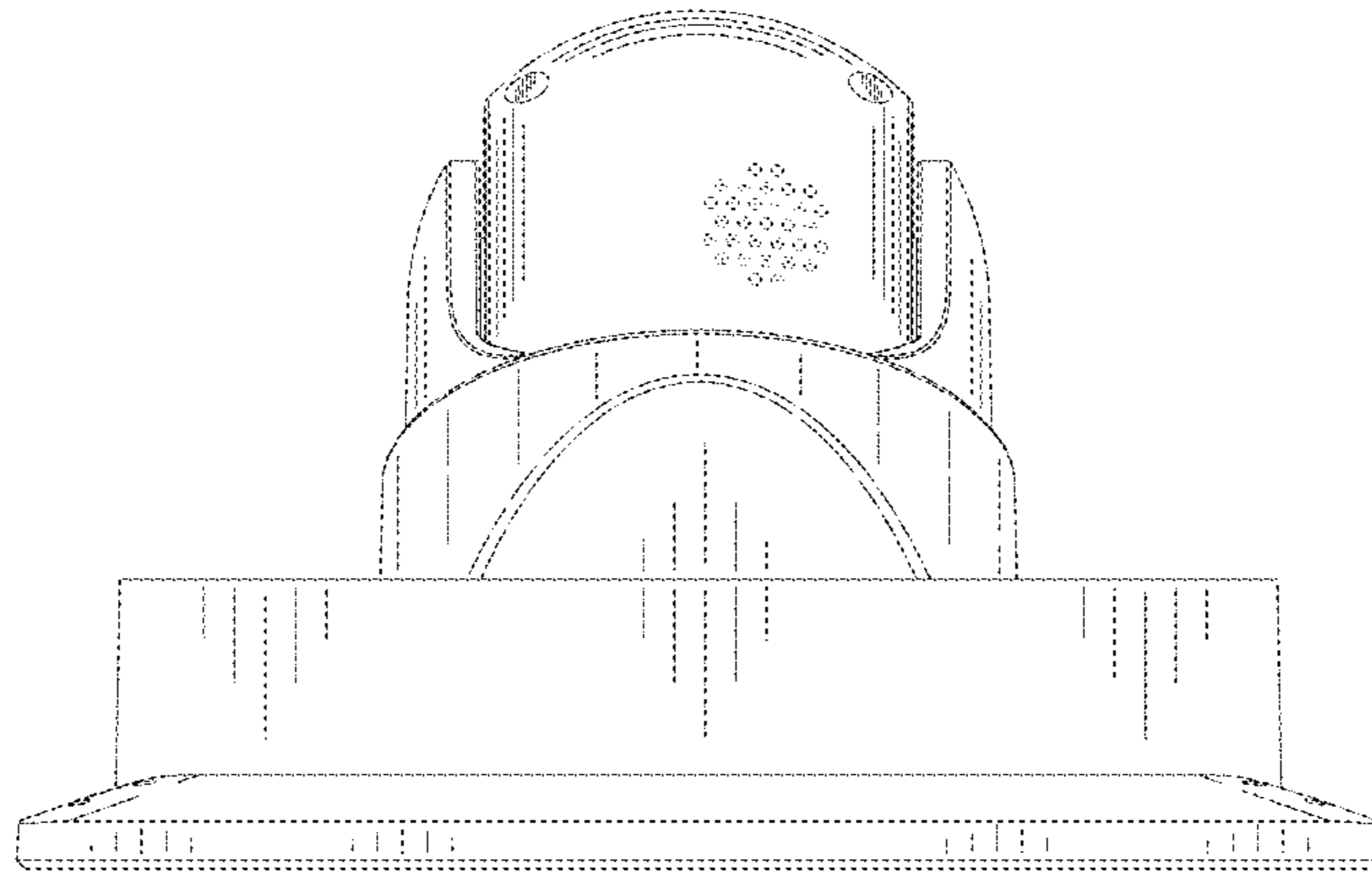


FIG. 6

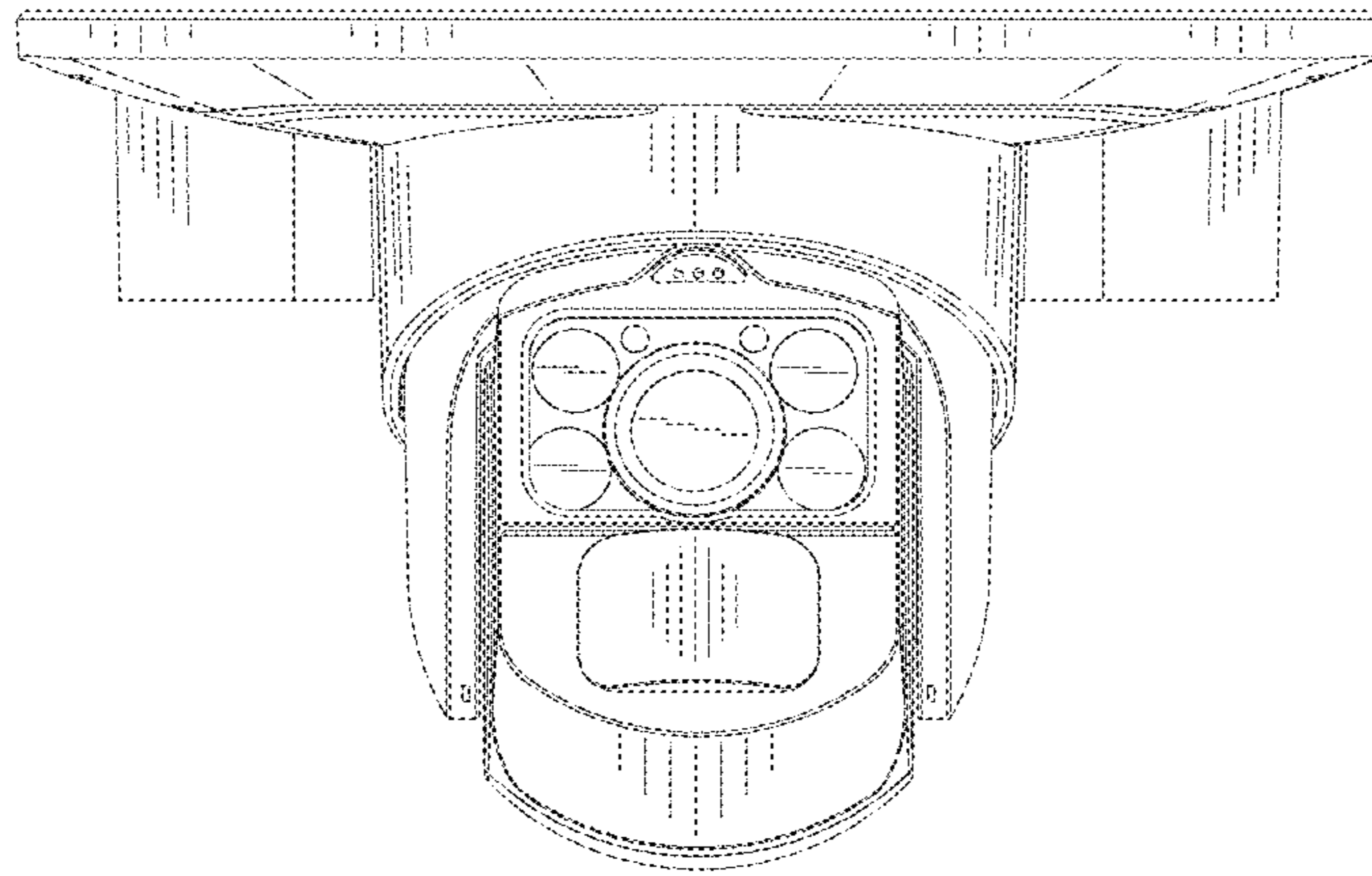


FIG. 7