

US00D975161S

(12) **United States Design Patent** (10) **Patent No.:** **US D975,161 S**
Zhao (45) **Date of Patent:** **** Jan. 10, 2023**

- (54) **DIGITAL CAMERA**
- (71) Applicant: **Shenzhen Gaoxinde Intelligent Technology Co., Ltd.**, Guangdong (CN)
- (72) Inventor: **Jiawei Zhao**, Guangdong (CN)
- (73) Assignee: **Shenzhen Gaoxinde Intelligent Technology Co., Ltd.**, Guangdong (CN)
- (**) Term: **15 Years**
- (21) Appl. No.: **29/751,440**
- (22) Filed: **Sep. 21, 2020**
- (51) **LOC (14) Cl.** **16-01**
- (52) **U.S. Cl.**
USPC **D16/202**
- (58) **Field of Classification Search**
USPC D16/200, 202-206, 208-209, 212, 218, D16/219; 348/373-376; 396/448, 535, 396/539-541
CPC G03B 15/03; G03B 17/02; G03B 17/04; G03B 17/56; G03B 19/04; H04N 5/2251; H04N 5/2252; H04N 5/2253; H04N 5/2254; H04N 2101/00
See application file for complete search history.

- D727,386 S * 4/2015 Kobayashi D16/202
- D753,203 S * 4/2016 Chai D16/202
- D892,902 S 8/2020 Kamei
- D894,249 S 8/2020 Kamei
- D898,095 S * 10/2020 Jang D16/202
- D904,482 S * 12/2020 Hoffman D16/202
- D907,093 S * 1/2021 Hung D16/202

OTHER PUBLICATIONS

Digital Camera 2.7K Ultra HD Mini Camera 44MP 2.8 Inch LCD Screen Rechargeable Students Compact Camera . . . , announced Jul. 16, 2020, Amazon.com, [online], [site visited Jun. 3, 2021], Available from Internet URL:<<https://www.amazon.com/Digital-Rechargeable-Students-Vlogging-Beginners/dp/B08D3N6HJR/ref>> (Year: 2020).*

* cited by examiner

Primary Examiner — Ramzi Almatrahi
(74) *Attorney, Agent, or Firm* — ScienBiziP, P.C.

(57) **CLAIM**

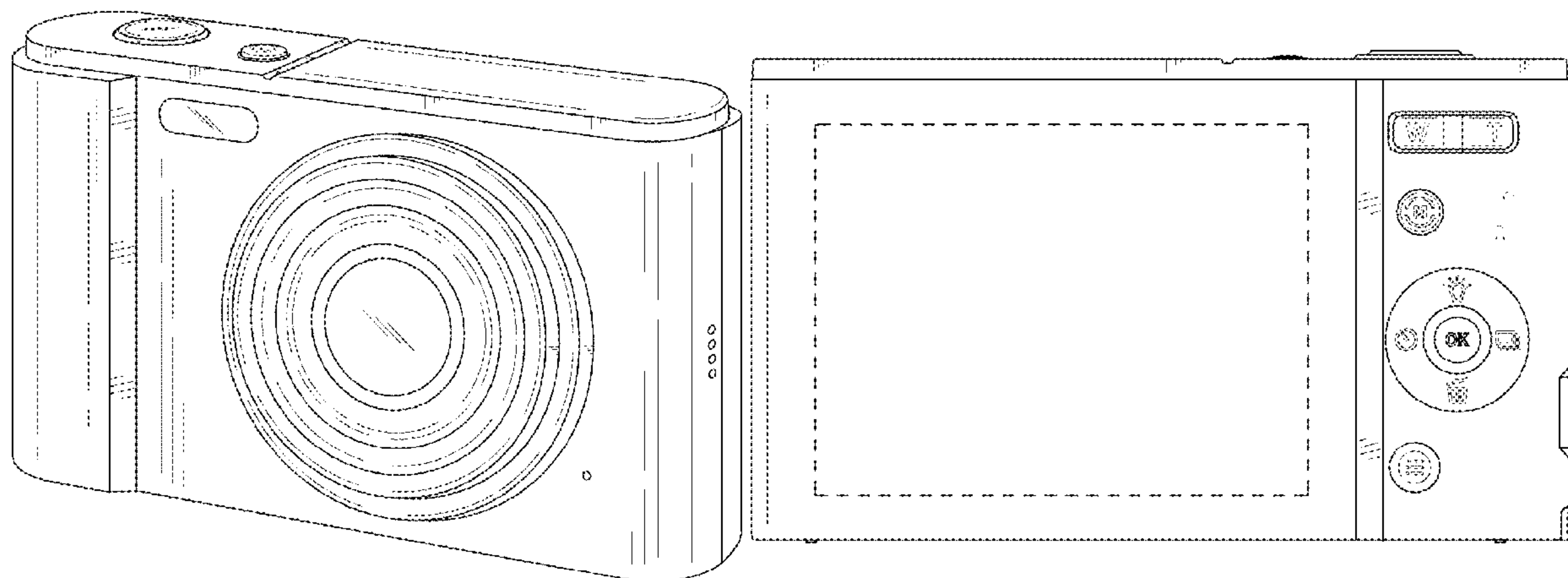
The ornamental design for a digital camera, as shown and described.

DESCRIPTION

FIG. 1 is a front perspective view of a digital camera, showing my new design;
FIG. 2 is a front elevation view thereof;
FIG. 3 is a rear elevation view thereof;
FIG. 4 is a left side elevation thereof;
FIG. 5 is a right side elevation thereof;
FIG. 6 is a top plan view thereof; and,
FIG. 7 is a bottom plan view thereof.
The broken lines depict portions of the digital camera in which the design is embodied that form no part of the claimed design.

1 Claim, 7 Drawing Sheets

- (56) **References Cited**
U.S. PATENT DOCUMENTS
- D407,098 S * 3/1999 Goto D16/202
- D556,229 S * 11/2007 Bai D16/202
- D576,650 S * 9/2008 Shibata D16/202
- D627,381 S * 11/2010 Kwon D16/202
- D650,409 S * 12/2011 Lee D16/202
- D694,303 S * 11/2013 Ham D16/202
- D707,742 S * 6/2014 Imamizu D16/202
- D712,948 S * 9/2014 Chai D16/202



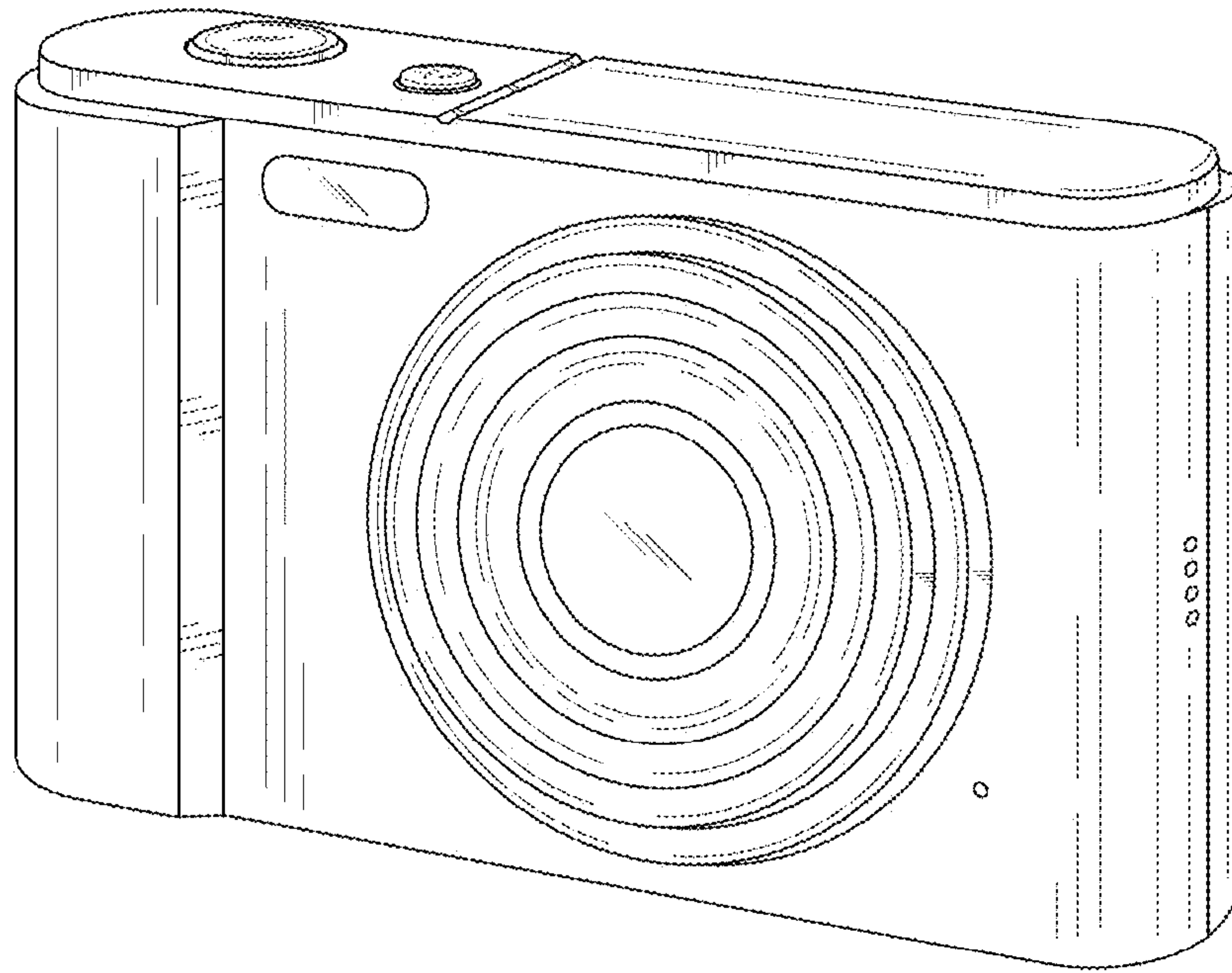


FIG. 1

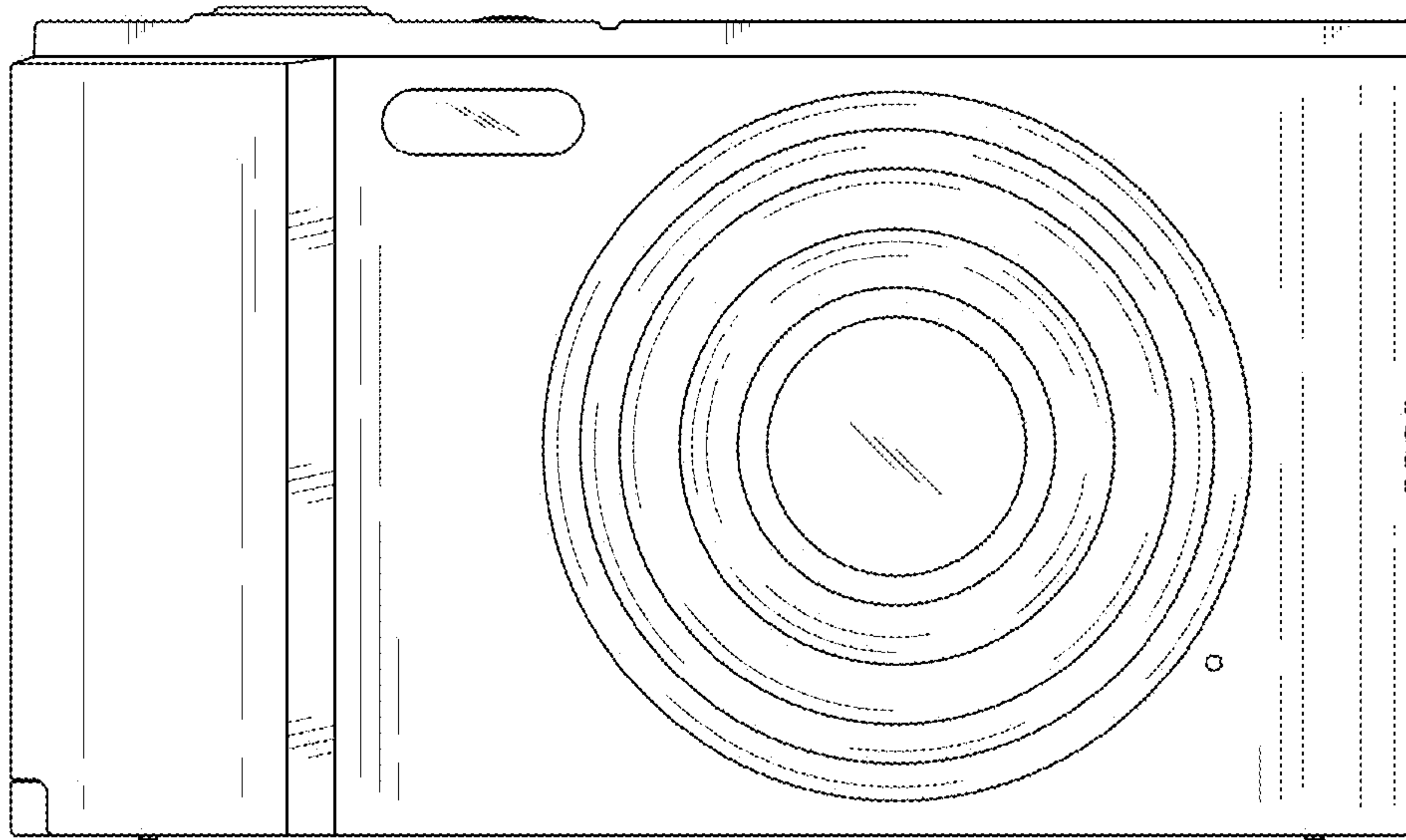


FIG.2

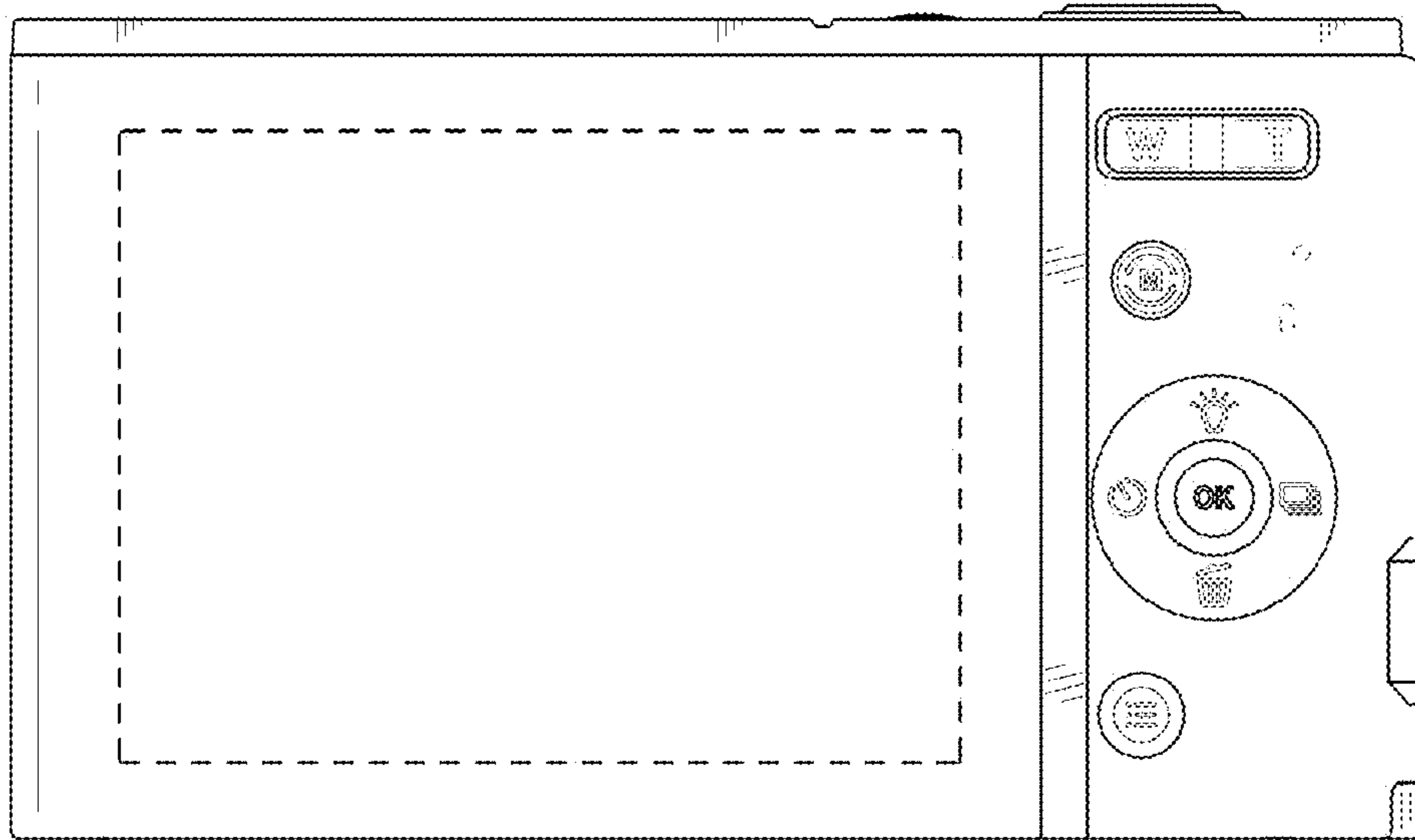


FIG.3

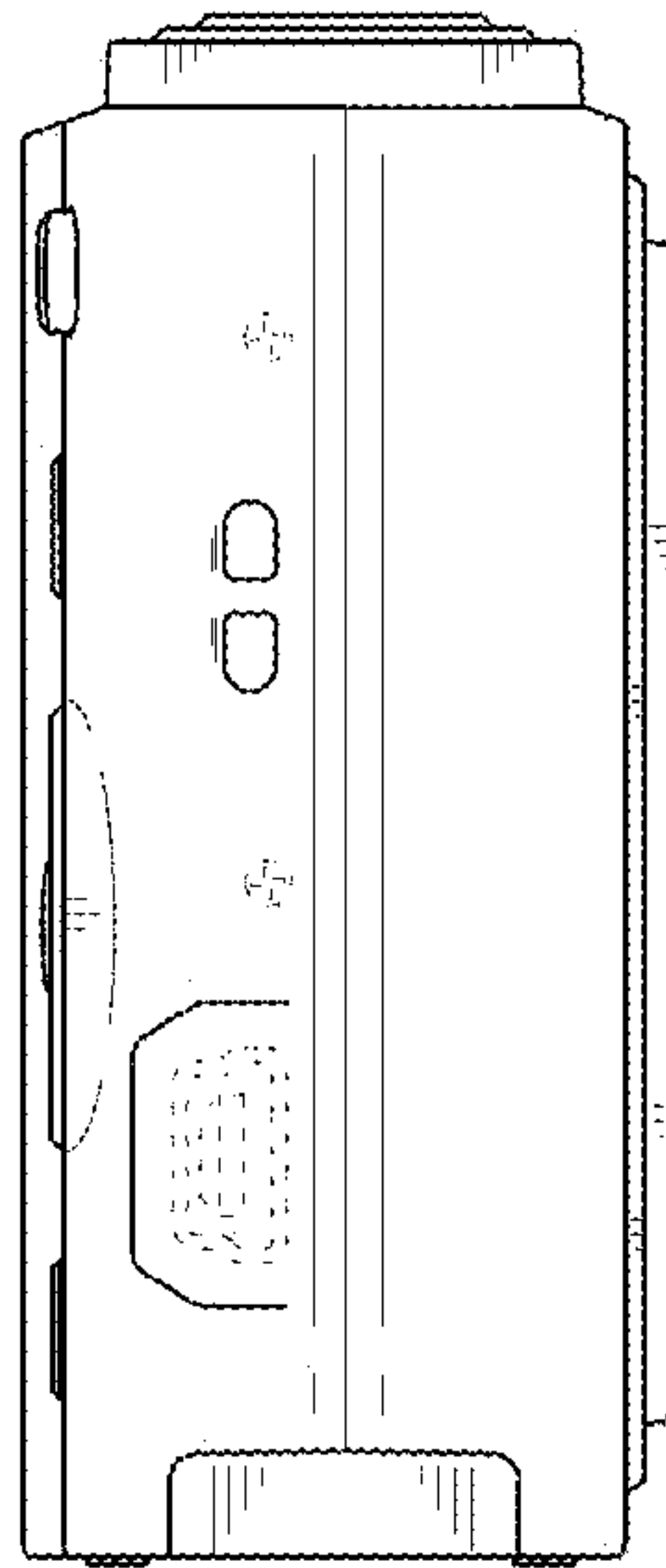


FIG.4

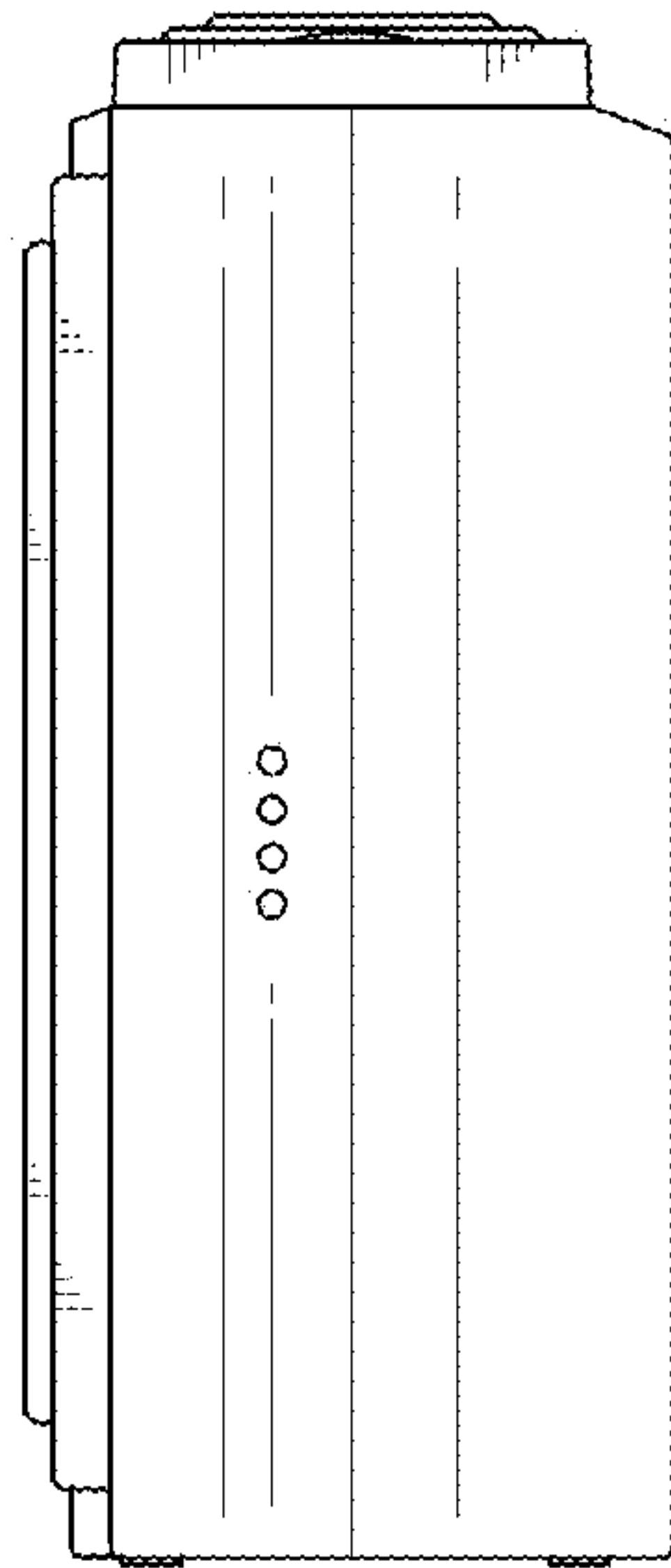


FIG.5

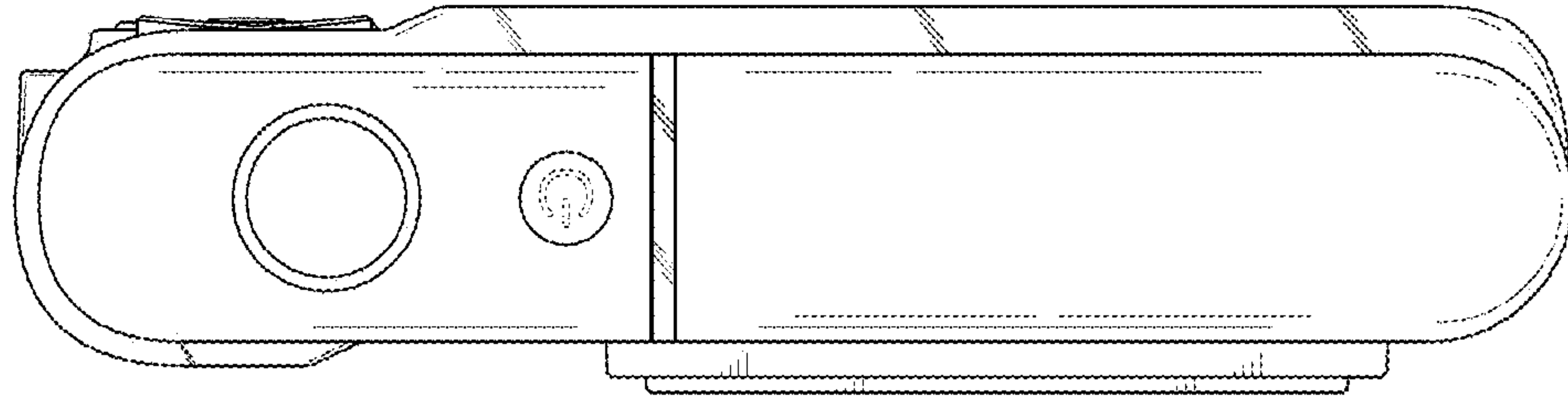


FIG.6

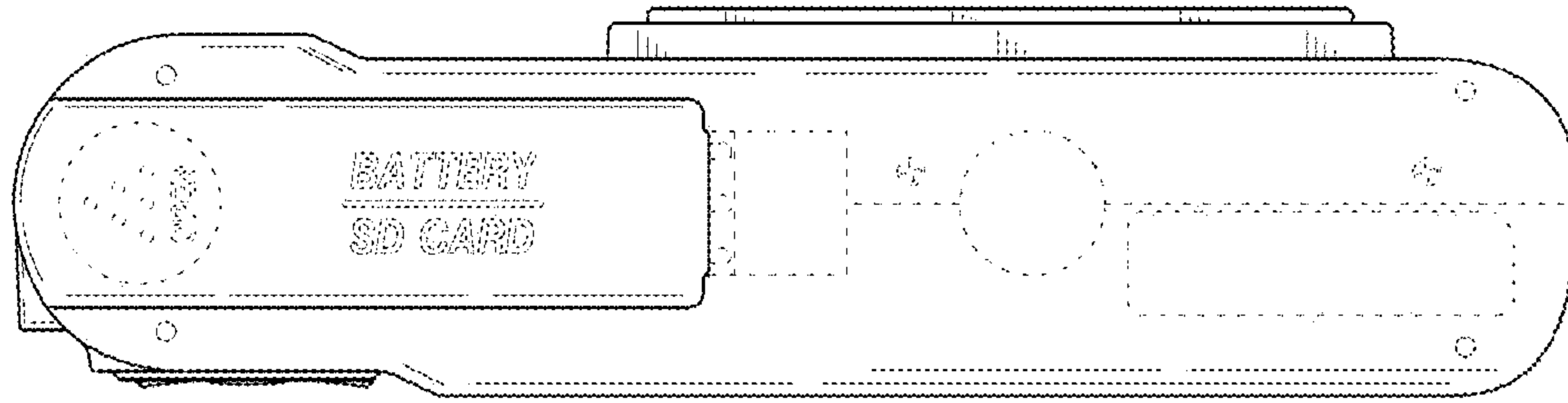


FIG.7