



US00D975160S

(12) **United States Design Patent**
Zeng

(10) **Patent No.:** **US D975,160 S**
(45) **Date of Patent:** **** Jan. 10, 2023**

(54) **THERMAL PRINTING CAMERA**

FOREIGN PATENT DOCUMENTS

(71) Applicant: **SHENZHEN XDJ INTELLIGENT TECHNOLOGY CO., LTD**, Shenzhen (CN)

CN 305948720 * 7/2020
CN 306392043 * 3/2021
CN 306480584 * 4/2021

(72) Inventor: **Dehua Zeng**, Loudi (CN)

OTHER PUBLICATIONS

(73) Assignee: **SHENZHEN XDJ INTELLIGENT TECHNOLOGY CO., LTD**, Shenzhen (CN)

Joom Childrens Polaroid Thermal Printing Camera, earliest pictured Jan. 10, 2022, [online],[site visited Oct. 18, 2022]. Available via Internet, <URL:https://www.joom.com/en/products/5f9fc78e865968010650fae4> (Year: 2022).*

(**) Term: **15 Years**

Amazon Instant Print Camera,earliest pictured review Dec. 23, 2020, [online],[site visited Oct. 18, 2022]. Available via Internet,<URL:https://www.amazon.com/Instant-Digital-Children-Learning-Birthday/dp/B081JT4VPF?th=1> (Year: 2020).*

(21) Appl. No.: **29/766,383**

(Continued)

(22) Filed: **Jan. 15, 2021**

Primary Examiner — Sanjeev Paul
Assistant Examiner — Breana Copeland

(30) **Foreign Application Priority Data**

Oct. 14, 2020 (CN) 202030609166.X

(51) **LOC (14) Cl.** **16-01**

(52) **U.S. Cl.**
USPC **D16/200; D16/223**

(58) **Field of Classification Search**
USPC D16/200–225; D18/50, 54, 55;
D21/324, 514, 518
CPC .. G03B 2227/00; G03B 27/00; G03B 17/305;
G03B 19/04
See application file for complete search history.

(57) **CLAIM**

The ornamental design for a thermal printing camera, as shown and described.

DESCRIPTION

FIG. 1 is a perspective view of a thermal printing camera showing my new design;
FIG. 2 is another perspective view thereof;
FIG. 3 is a front elevational view thereof;
FIG. 4 is a rear elevational view thereof;
FIG. 5 is a left side elevational view thereof;
FIG. 6 is a right side elevational view thereof;
FIG. 7 is a top plan view thereof; and,
FIG. 8 is a bottom plan view thereof.

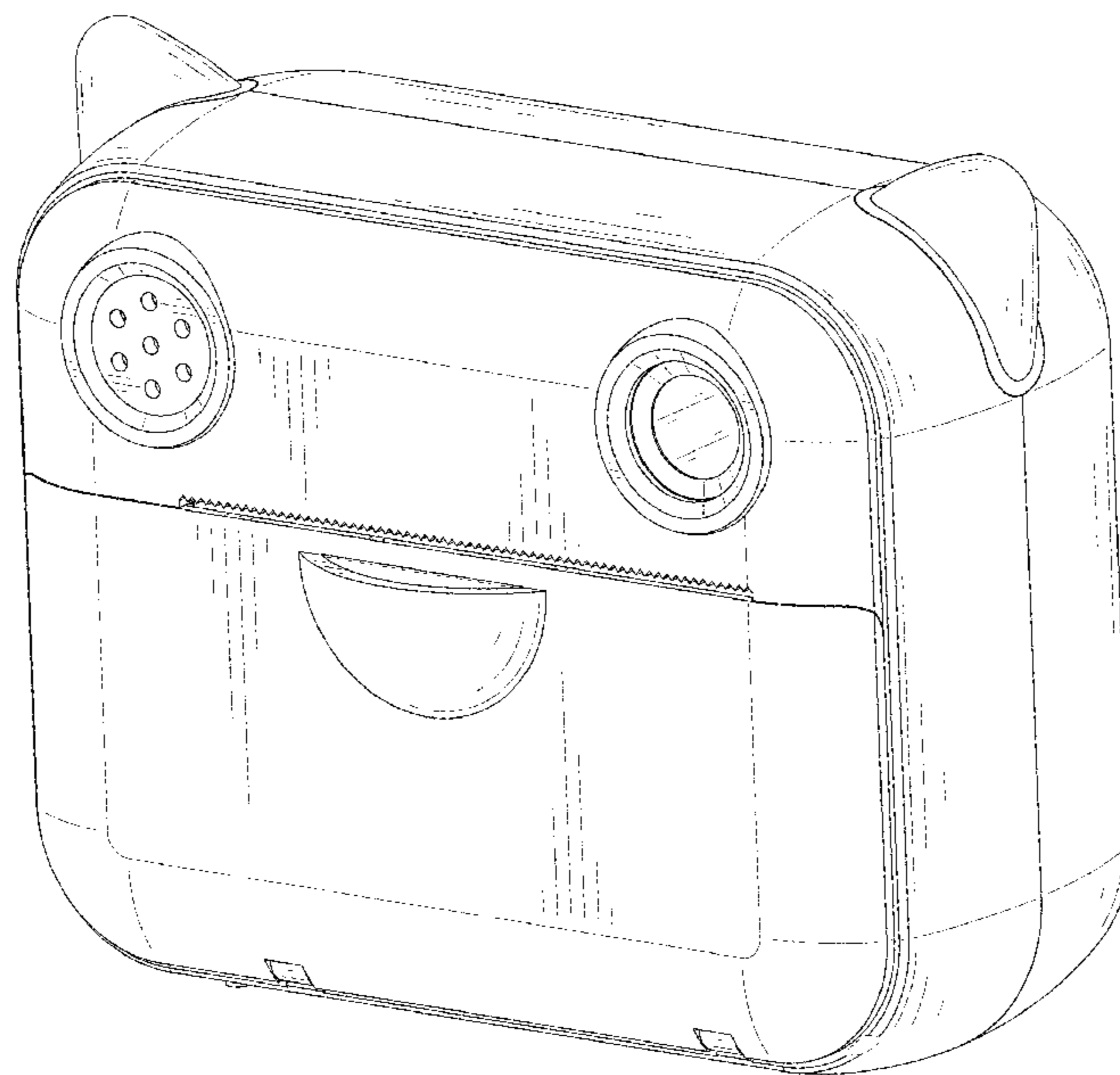
The broken lines in the drawings depict portions of the thermal printing camera that form no part of the claimed design.

(56) **References Cited**

U.S. PATENT DOCUMENTS

D436,977 S * 1/2001 Senda D16/209
D725,691 S * 3/2015 De Rosa D16/202
D852,257 S * 6/2019 Sakai D16/219
D859,498 S * 9/2019 Lin D16/218
D864,278 S * 10/2019 Hu D16/218
D924,305 S * 7/2021 He D16/218

1 Claim, 8 Drawing Sheets



(56)

References Cited

OTHER PUBLICATIONS

Kidamento Koko Panada Camera, earliest pictured review Sep. 8, 2022, [online],[site visited Oct. 18, 2022]. Available via Internet,<URL:https://kidamento.com/en-us/products/instant-print-kids-camera-model-p-panda> (Year: 2022).*

Google Search, [online],[site visited Oct. 18, 2022]. Available via Internet,<URL:https://www.google.com/search?q=children%27s+polaroid+camera&tbm=isch&ved=2ahUKEwiPtO6xiOr6AhWOvHIEHaqiB_kQ2-cCegQIABAA&oq=ch%E2%80%A6> (Year: 2022).*

* cited by examiner

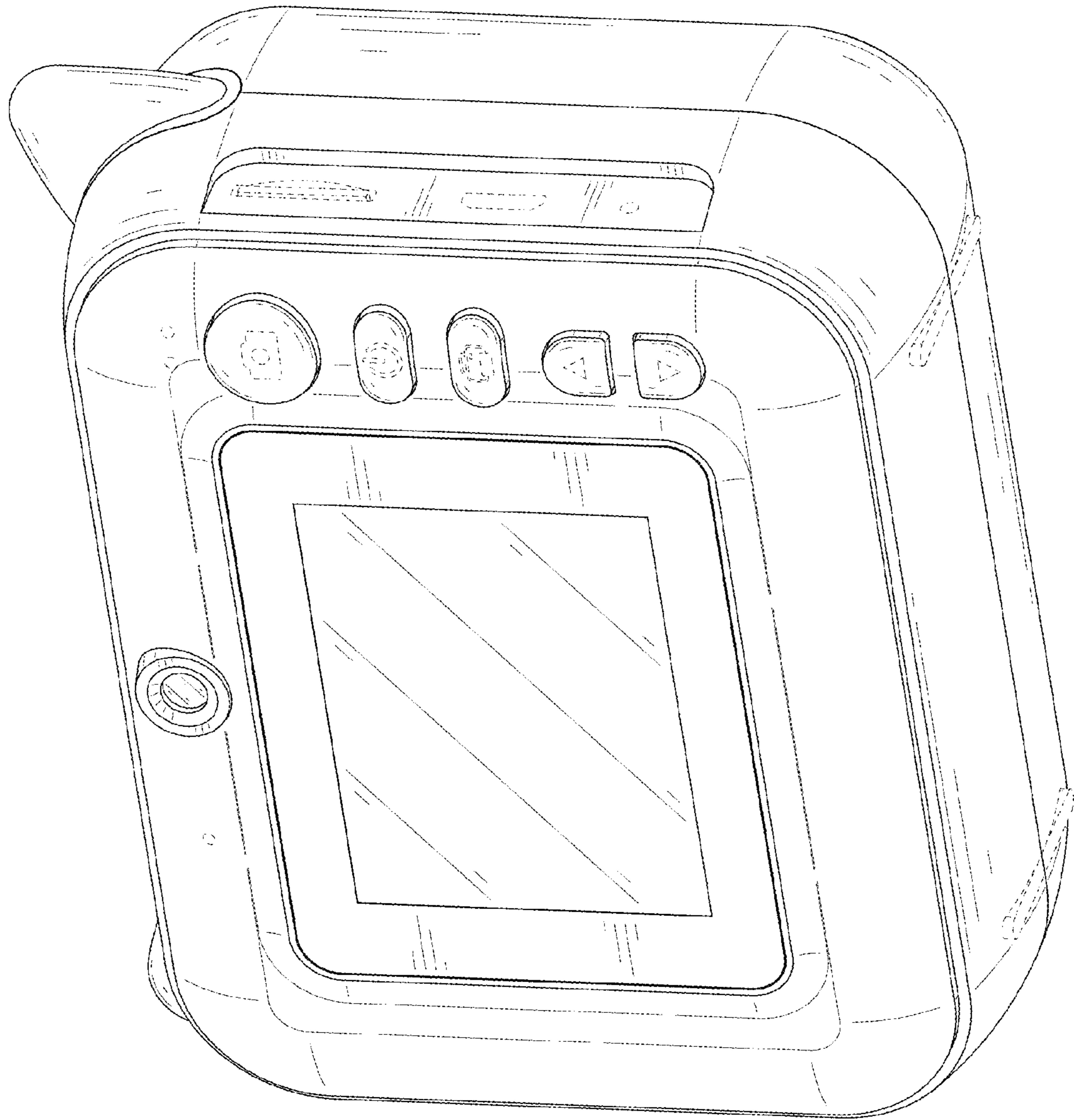


FIG. 1

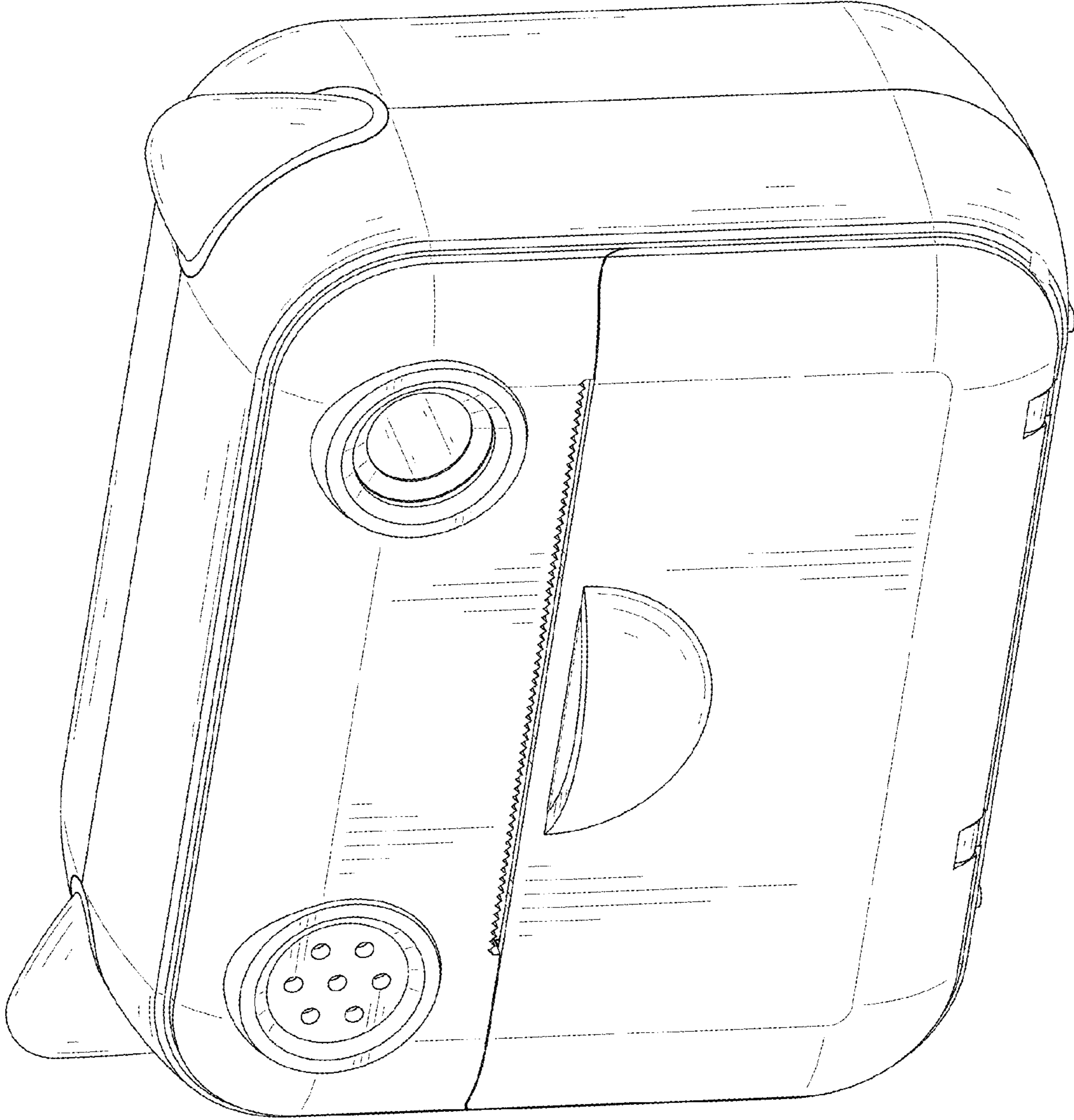


FIG. 2

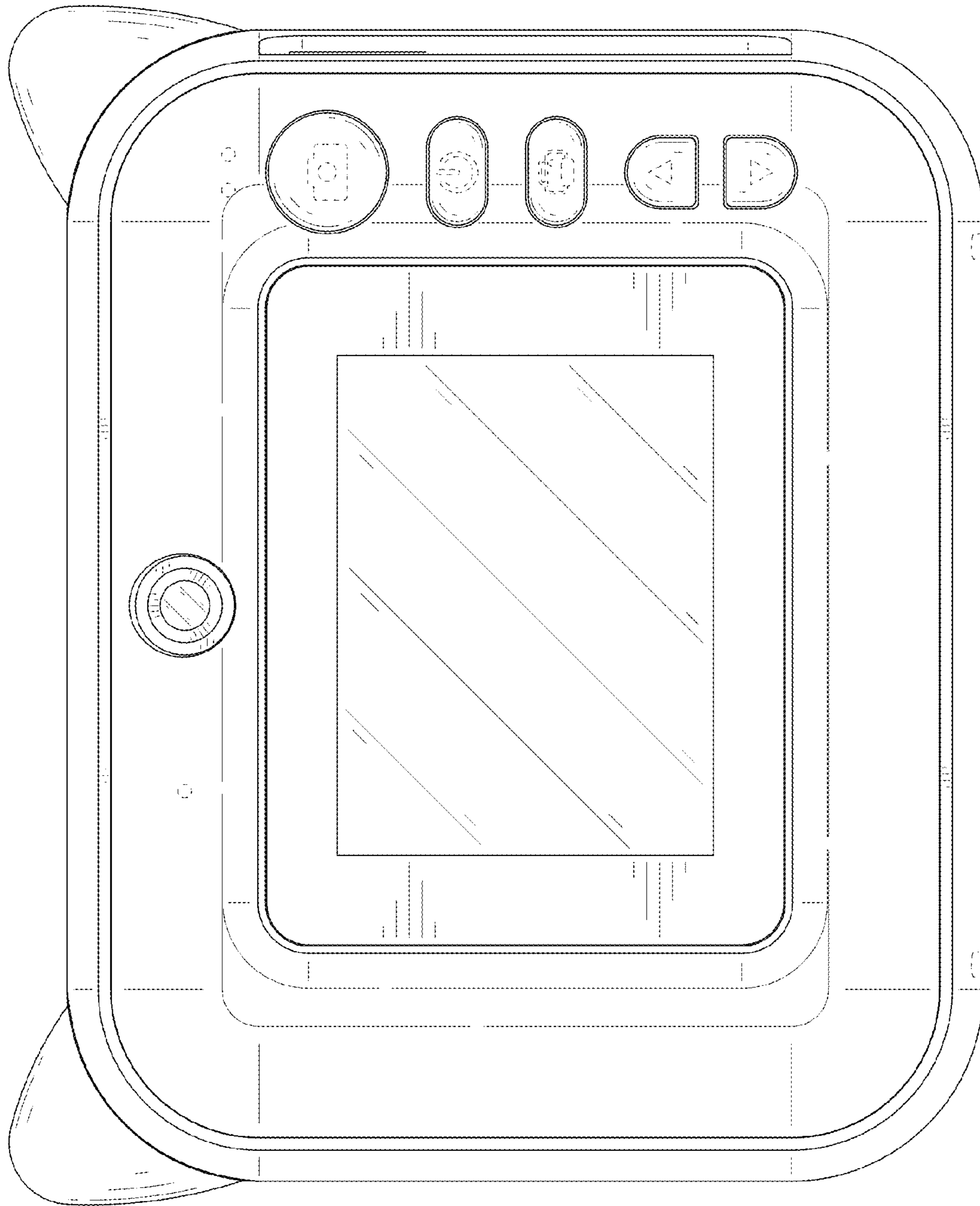


FIG. 3

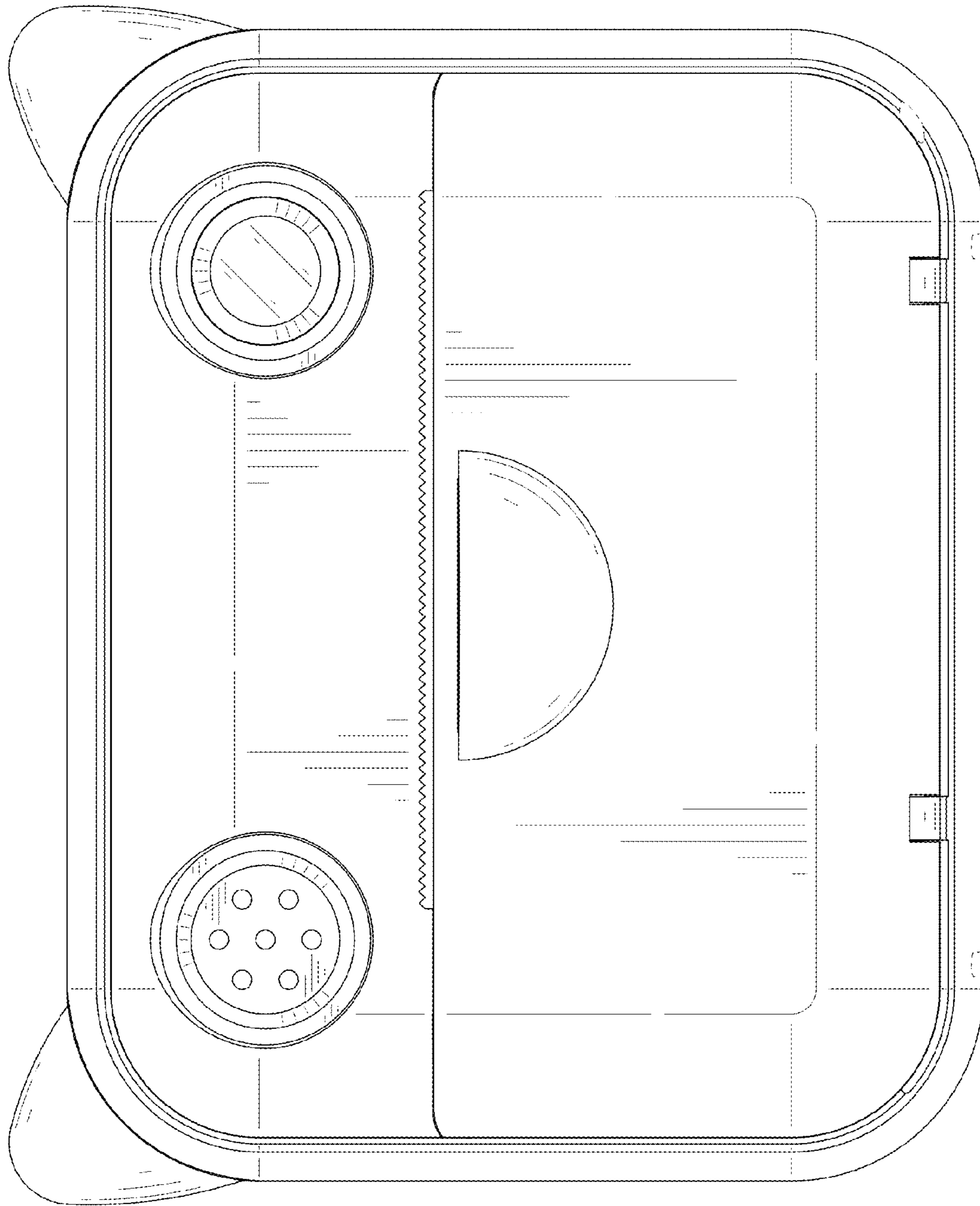


FIG. 4

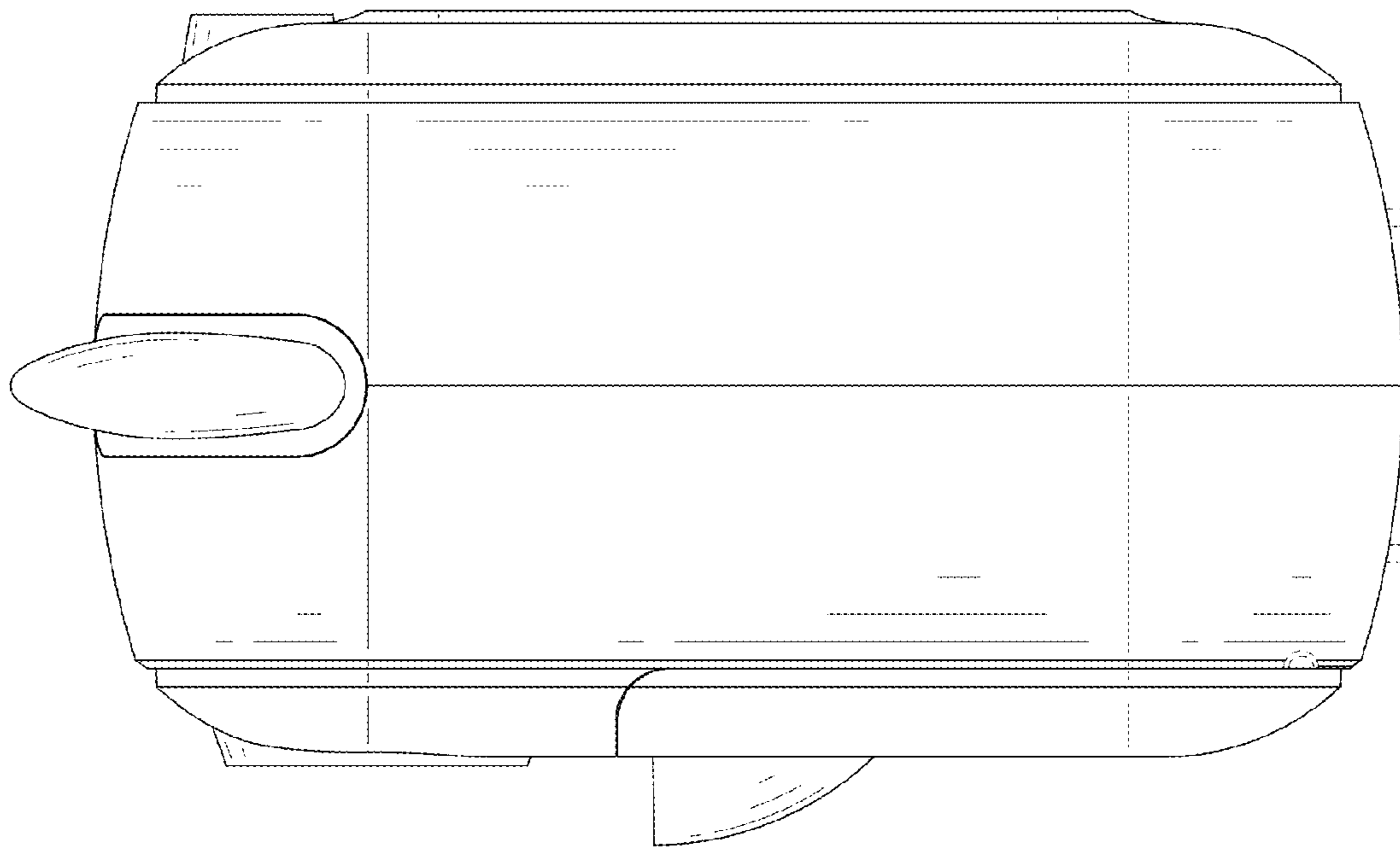


FIG. 5

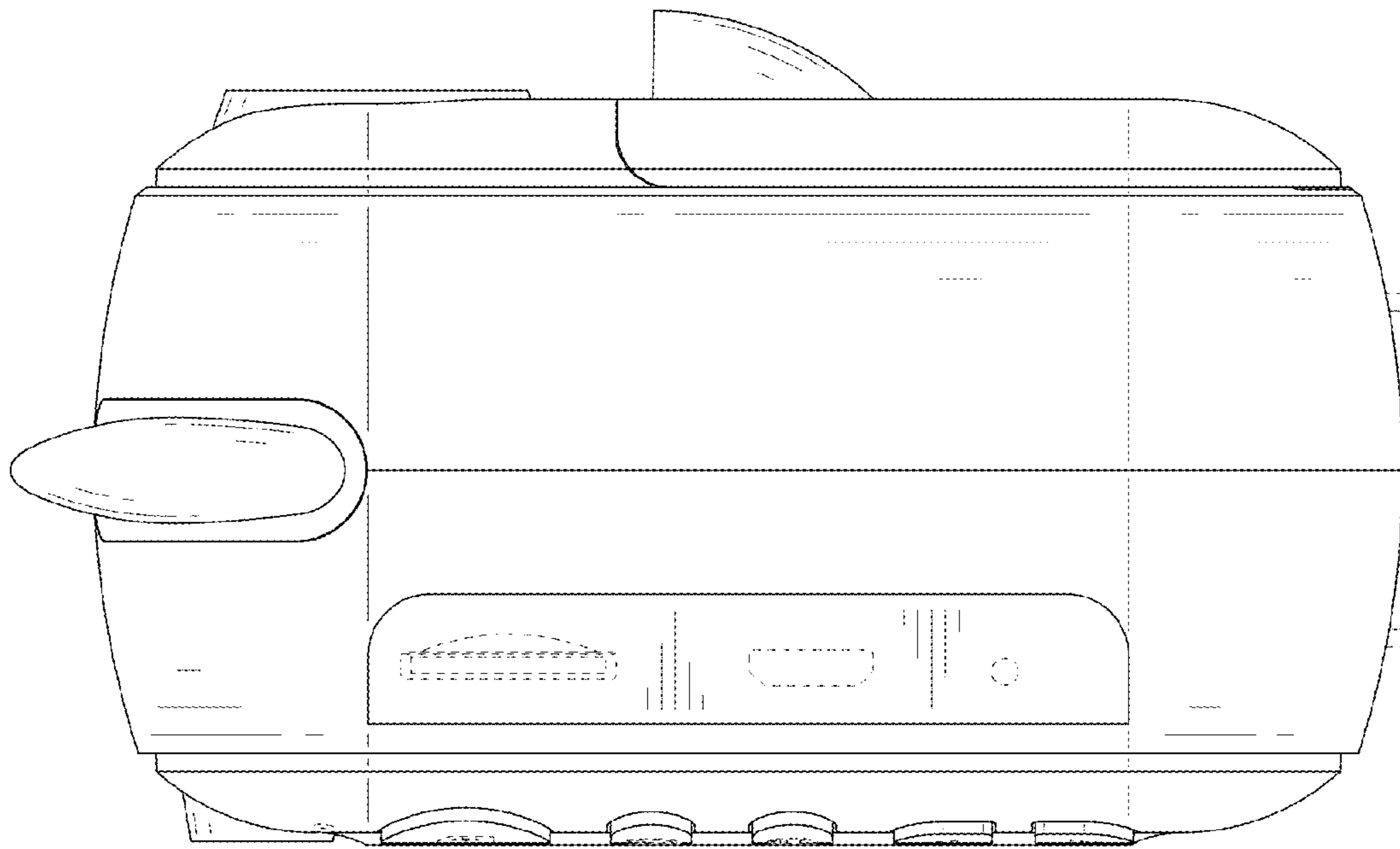


FIG. 6

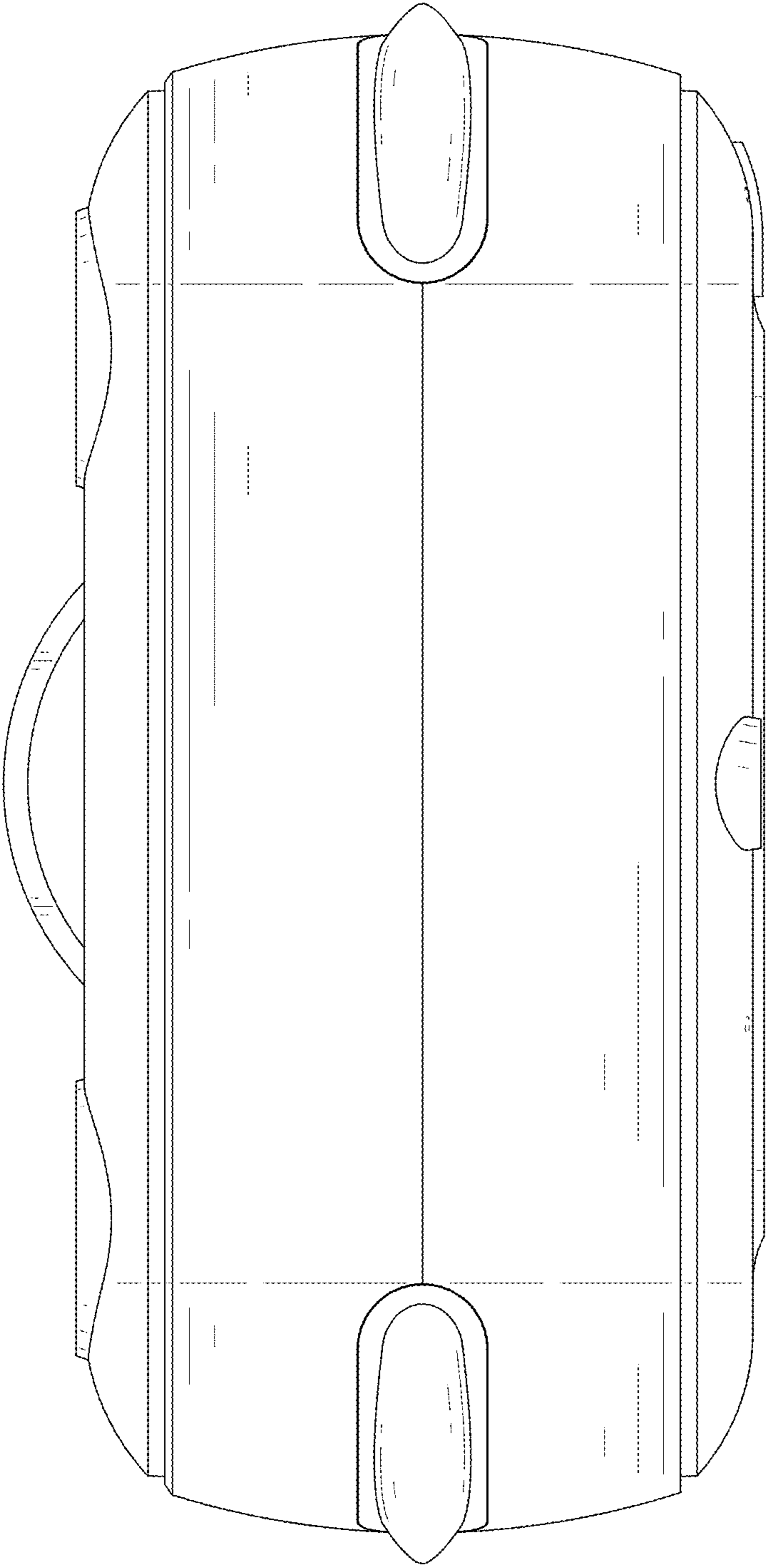


FIG. 7

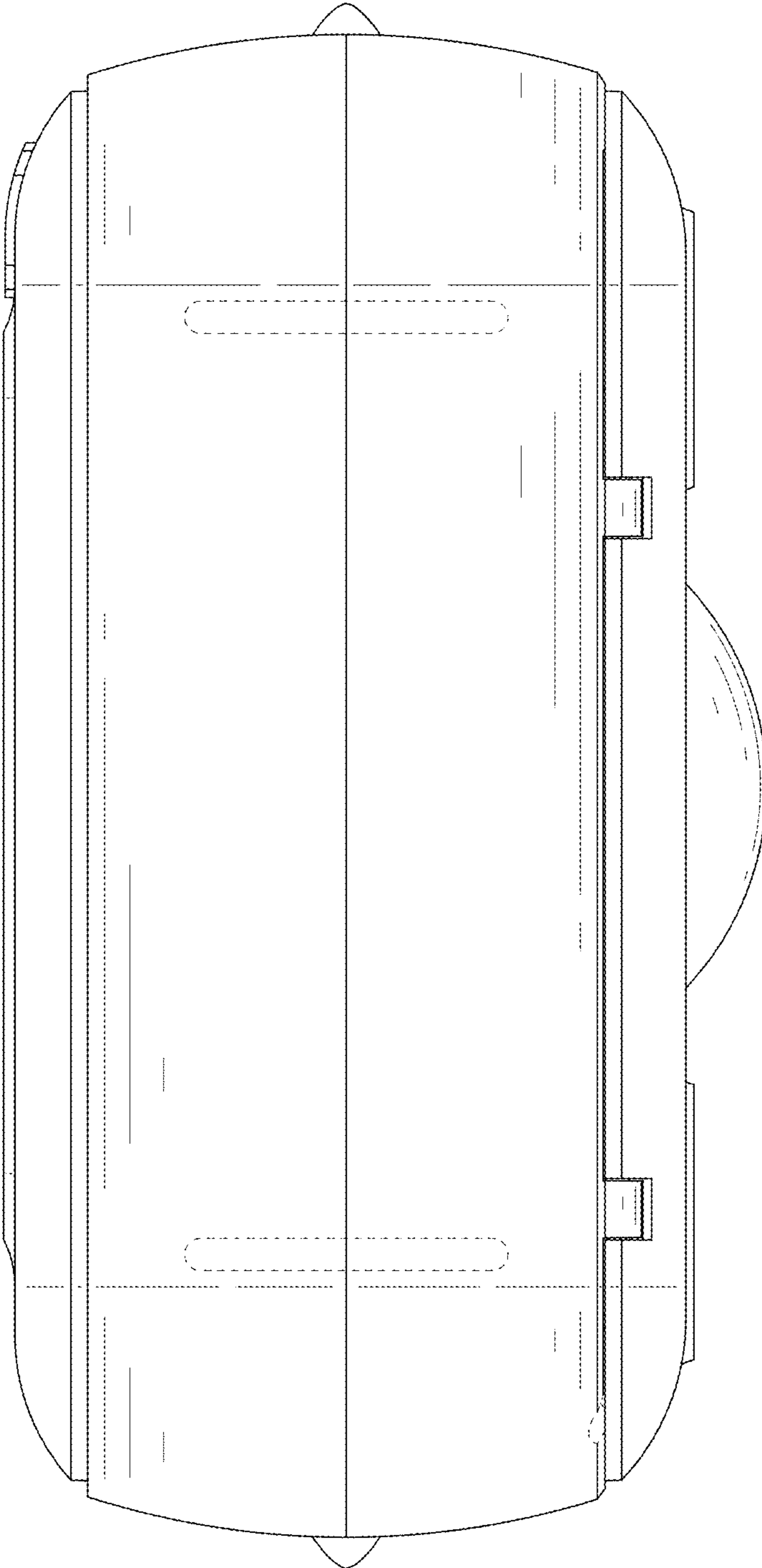


FIG. 8