

The broken lines and the portion shown in light grey within the broken lines in the drawings illustrate portions of the instant camera that form no part of the claimed design.

1 Claim, 5 Drawing Sheets

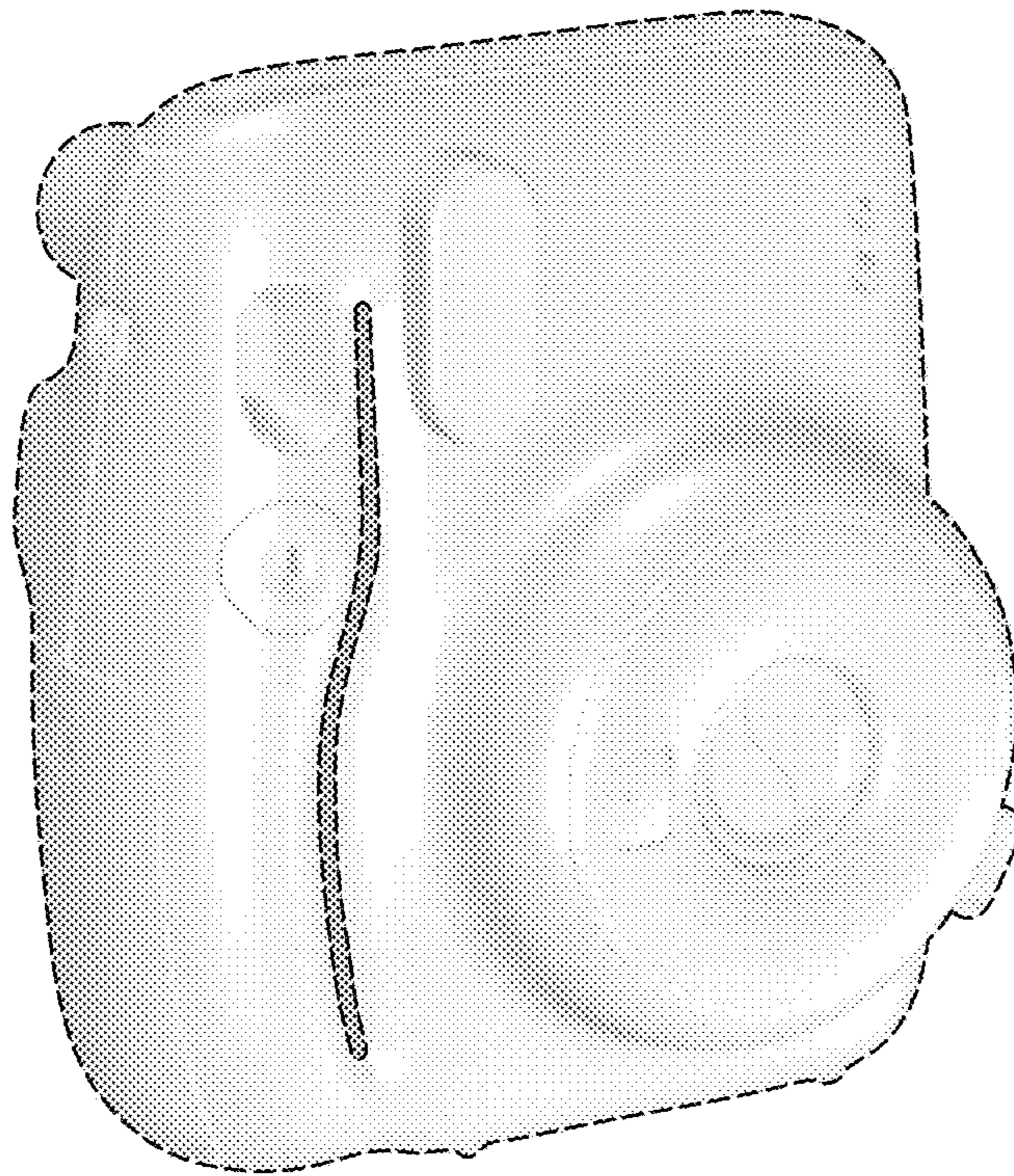


FIG. 1



FIG. 2

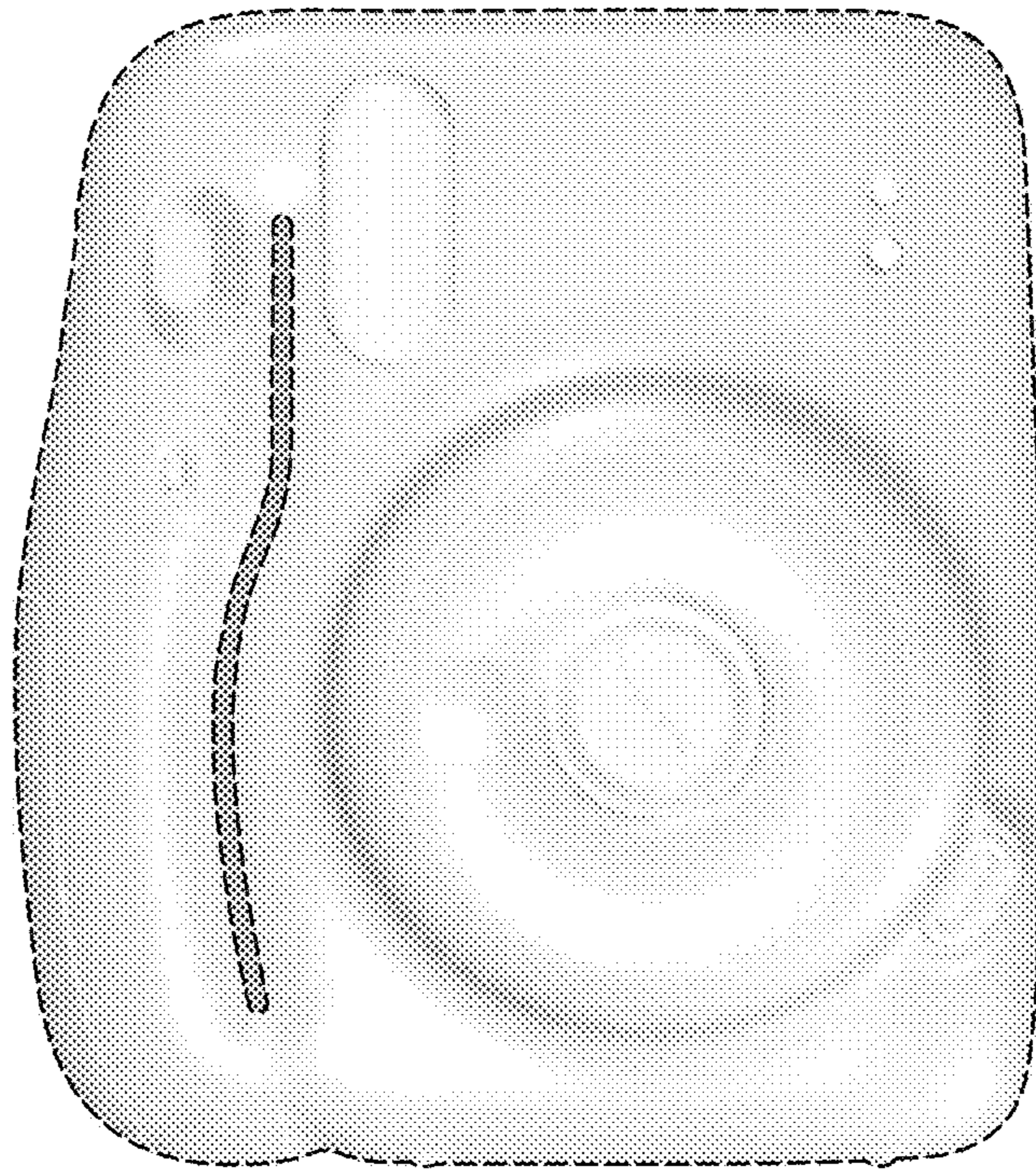


FIG. 3

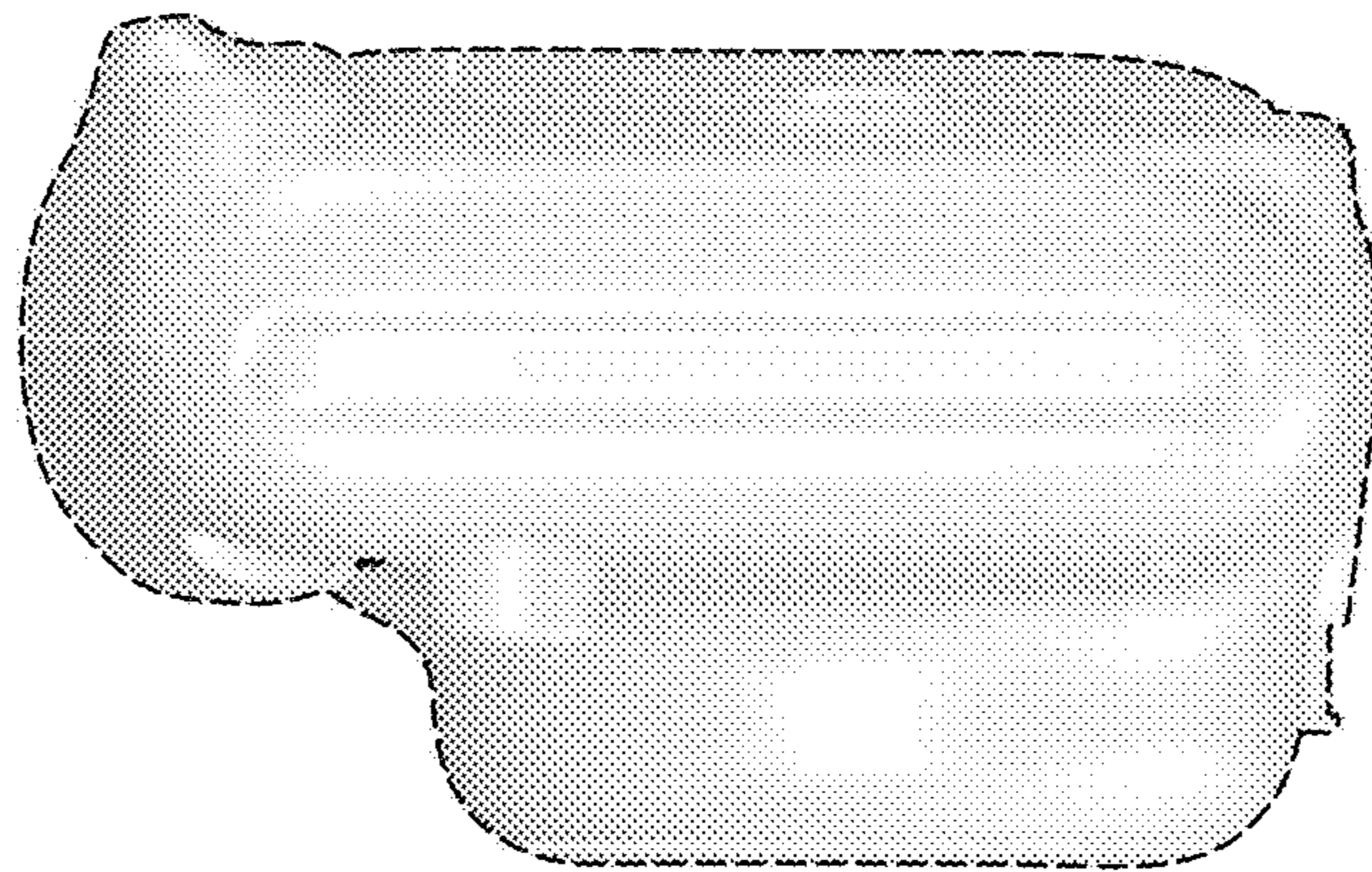


FIG. 4

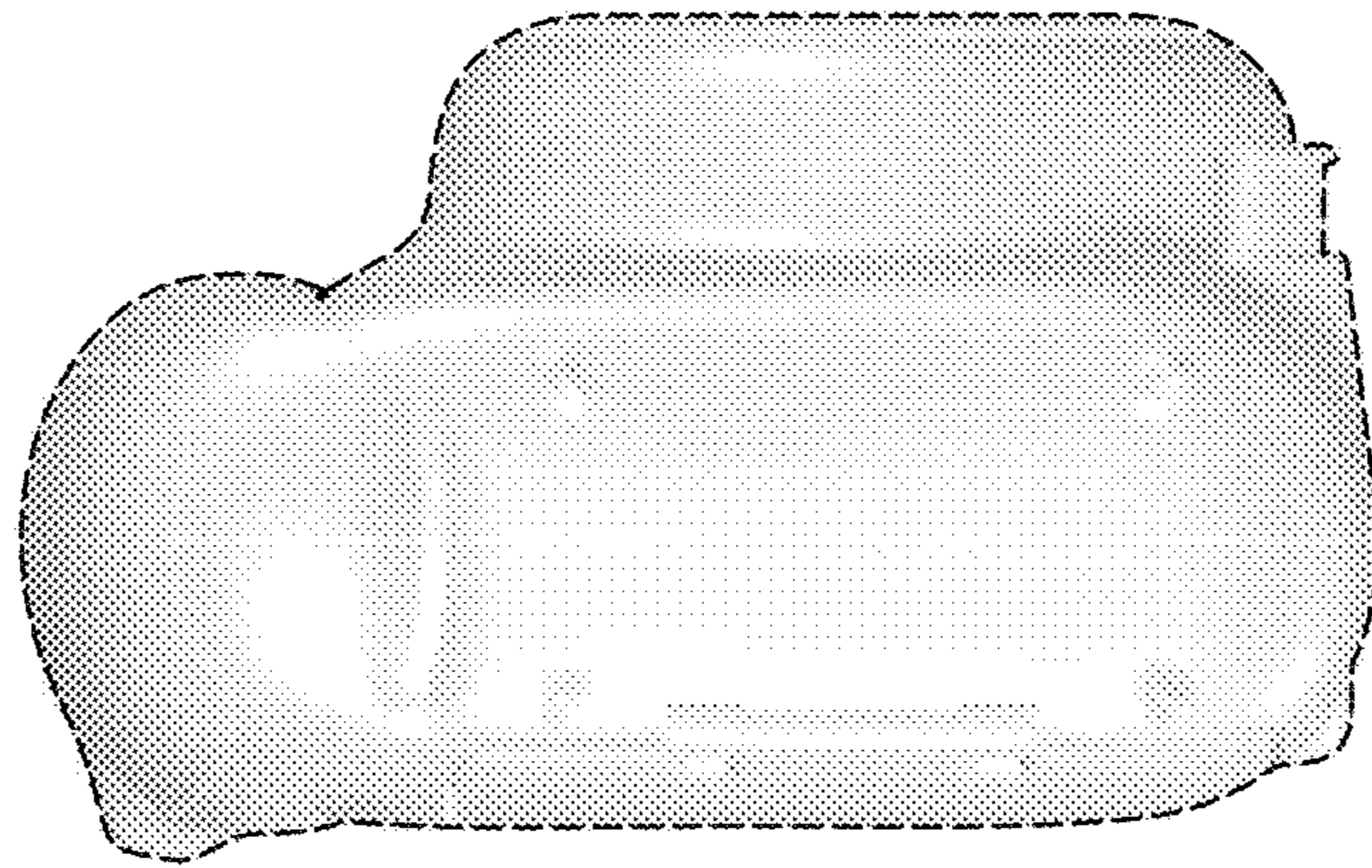


FIG. 5