



US00D975158S

(12) **United States Design Patent** (10) **Patent No.:** **US D975,158 S**
Sono et al. (45) **Date of Patent:** **** Jan. 10, 2023**

(54) **LENS FOR INFRARED SENSOR**

(71) Applicant: **Panasonic Intellectual Property Management Co., Ltd., Osaka (JP)**

(72) Inventors: **Takahiro Sono, Shiga (JP); Ryo Taniguchi, Shiga (JP); Sukoya Tawaratsumida, Mie (JP)**

(73) Assignee: **PANASONIC INTELLECTUAL PROPERTY MANAGEMENT CO., LTD., Osaka (JP)**

(56) **References Cited**

U.S. PATENT DOCUMENTS

D493,479	S	*	7/2004	Yoshikawa	D16/202
D633,120	S	*	2/2011	Ham	D16/203
D732,098	S	*	6/2015	Choi	D16/202
D788,354	S	*	5/2017	Yoshioka	D26/118
D800,955	S	*	10/2017	Hakala	D26/118
D811,648	S	*	2/2018	Farnsworth	D26/122
D929,644	S	*	8/2021	Aravena	D26/118
2012/0250323	A1	*	10/2012	Velu	F21V 29/004 362/249.02

(Continued)

(**) Term: **15 Years**

FOREIGN PATENT DOCUMENTS

(21) Appl. No.: **29/666,284**

TW D151858 S1 2/2013

(22) Filed: **Oct. 11, 2018**

OTHER PUBLICATIONS

(30) **Foreign Application Priority Data**

Office Action in Taiwan Application No. 10820168980, 8 pages, dated Feb. 25, 2019.

Apr. 16, 2018 (JP) 2018-008323 U

(51) **LOC (14) Cl.** **16-06**

(52) **U.S. Cl.**
USPC **D16/134**

(58) **Field of Classification Search**
USPC D10/70, 109.1, 109.2; D16/134, 130, D16/131, 132, 135, 136, 202-208, 245, D16/219; D24/120, 113, 118, 119, 121, D24/122, 124, 125, 128

CPC ... G01C 3/00; G01C 3/02; G01C 3/04; G01C 3/06; G01C 3/08; G01C 3/085; G01C 3/10; G01C 3/12; G01C 3/16; G01C 3/18; G01C 3/20; G01C 3/22; G01C 3/24; G01C 3/26; G01C 3/28; G01C 3/30; G01C 3/32; B60Q 1/04; B60Q 1/26; F21S 8/026; F21S 8/04; F21V 29/004; F21V 21/02; F21V 21/04; F21V 29/2212; F21Y 2101/02; G02B 27/026; G02B 23/16; G02B 2003/0093; G02B 3/04; H04J 11/00; H04J 13/00; E06B 9/24; G03B 17/02; C03B 2215/46

See application file for complete search history.

Primary Examiner — Richard Kearney

Assistant Examiner — Benjamin M Weeks

(74) *Attorney, Agent, or Firm* — Crowell & Moring LLP

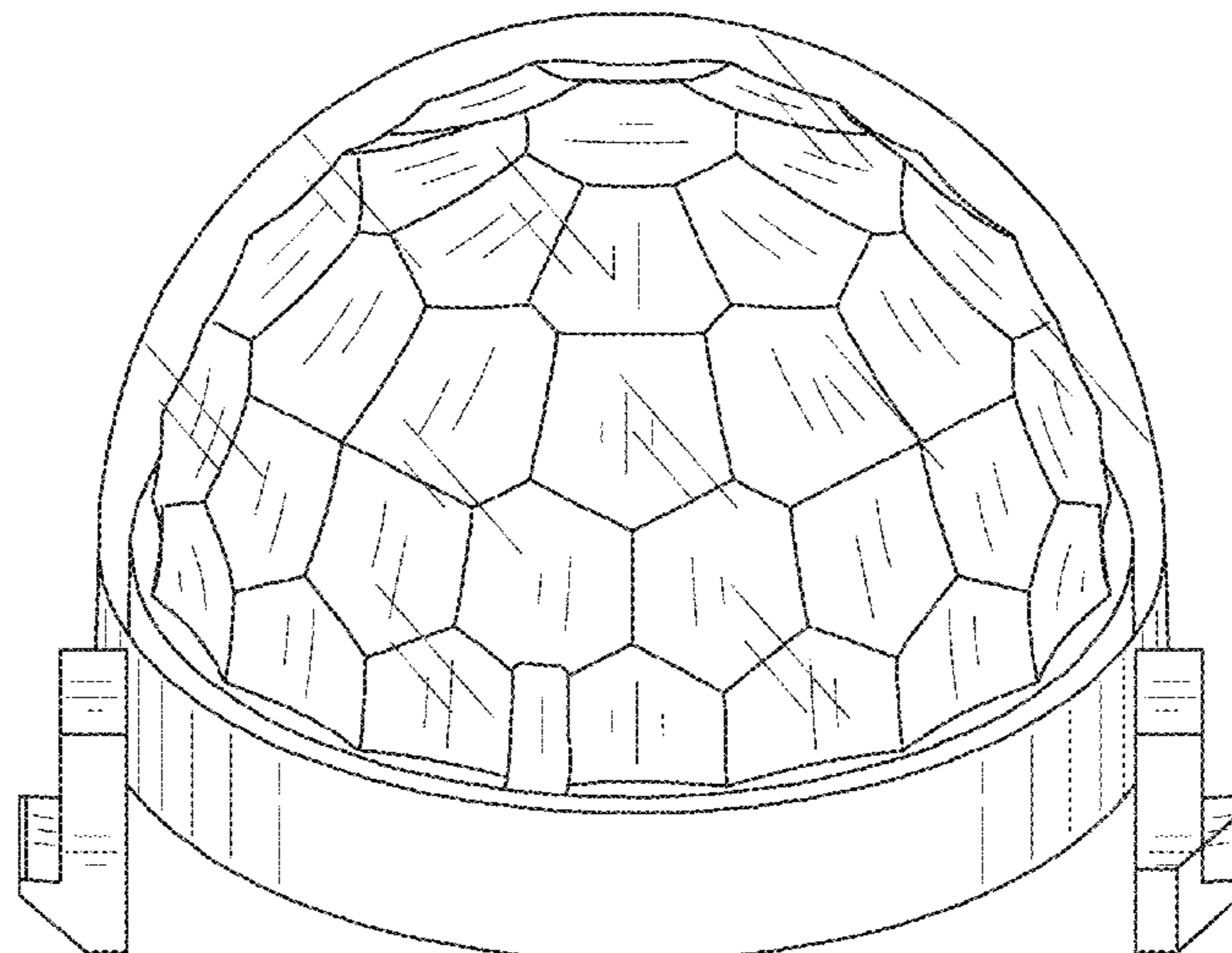
(57) **CLAIM**

We claim the ornamental design for a lens for infrared sensor, as shown and described.

DESCRIPTION

FIG. 1 is a perspective view of a lens for infrared sensor of the present invention;
FIG. 2 is a top view thereof;
FIG. 3 is a bottom view thereof;
FIG. 4 is a front view thereof;
FIG. 5 is a rear view thereof;
FIG. 6 is a left side view thereof;
FIG. 7 is a right side view thereof; and,
FIG. 8 is a cross-sectional view thereof taken along lines 8-8 of FIG. 5.

1 Claim, 8 Drawing Sheets



(56)

References Cited

U.S. PATENT DOCUMENTS

2013/0340234 A1* 12/2013 Iwasaka B23P 21/004
29/428
2014/0071535 A1* 3/2014 Geraci G02B 23/18
359/601
2019/0293274 A1* 9/2019 Franzosi F21V 23/0485
2020/0056761 A1* 2/2020 Yan F21V 7/0008
2021/0325574 A1* 10/2021 Arima G02B 3/0043

* cited by examiner

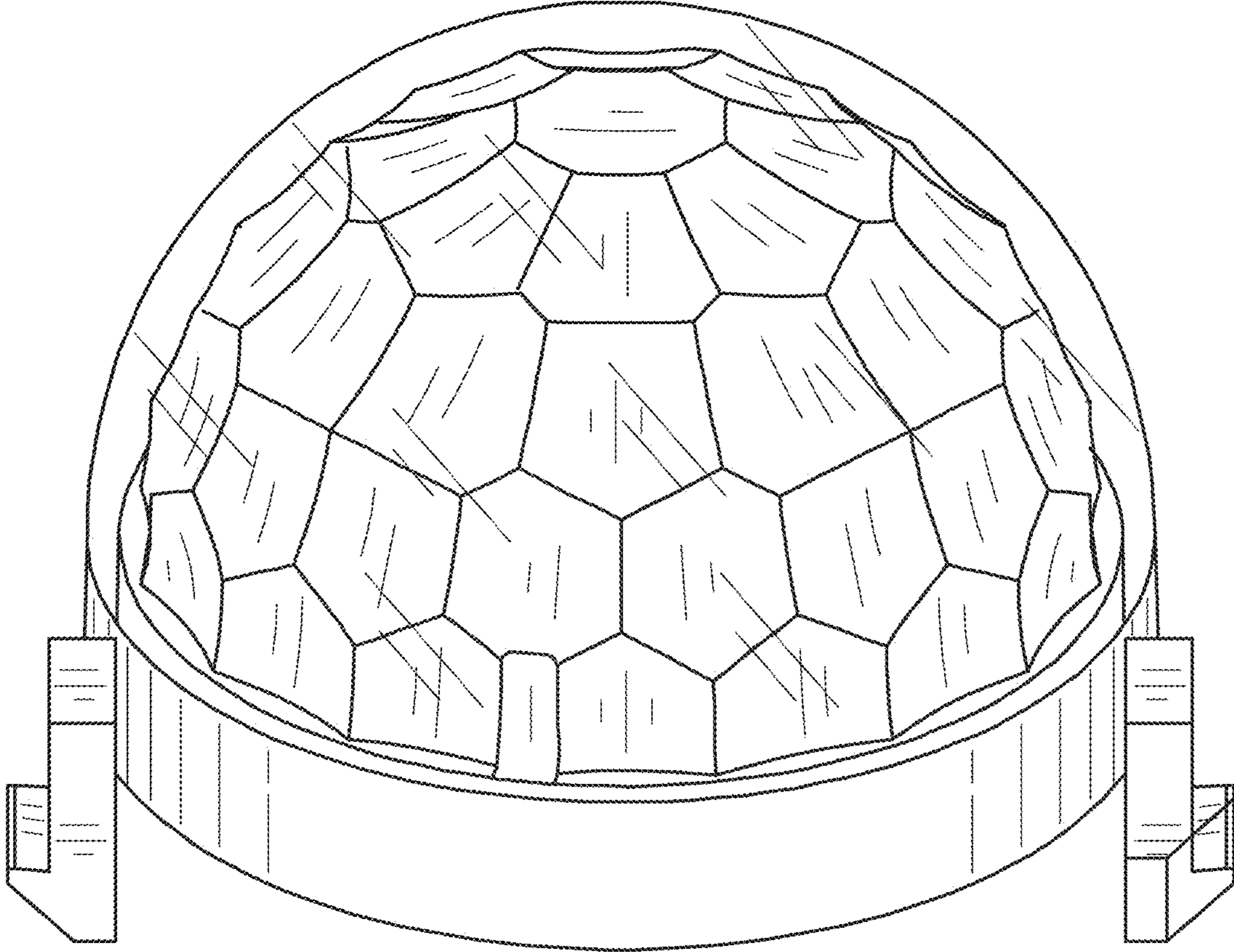


FIG. 1

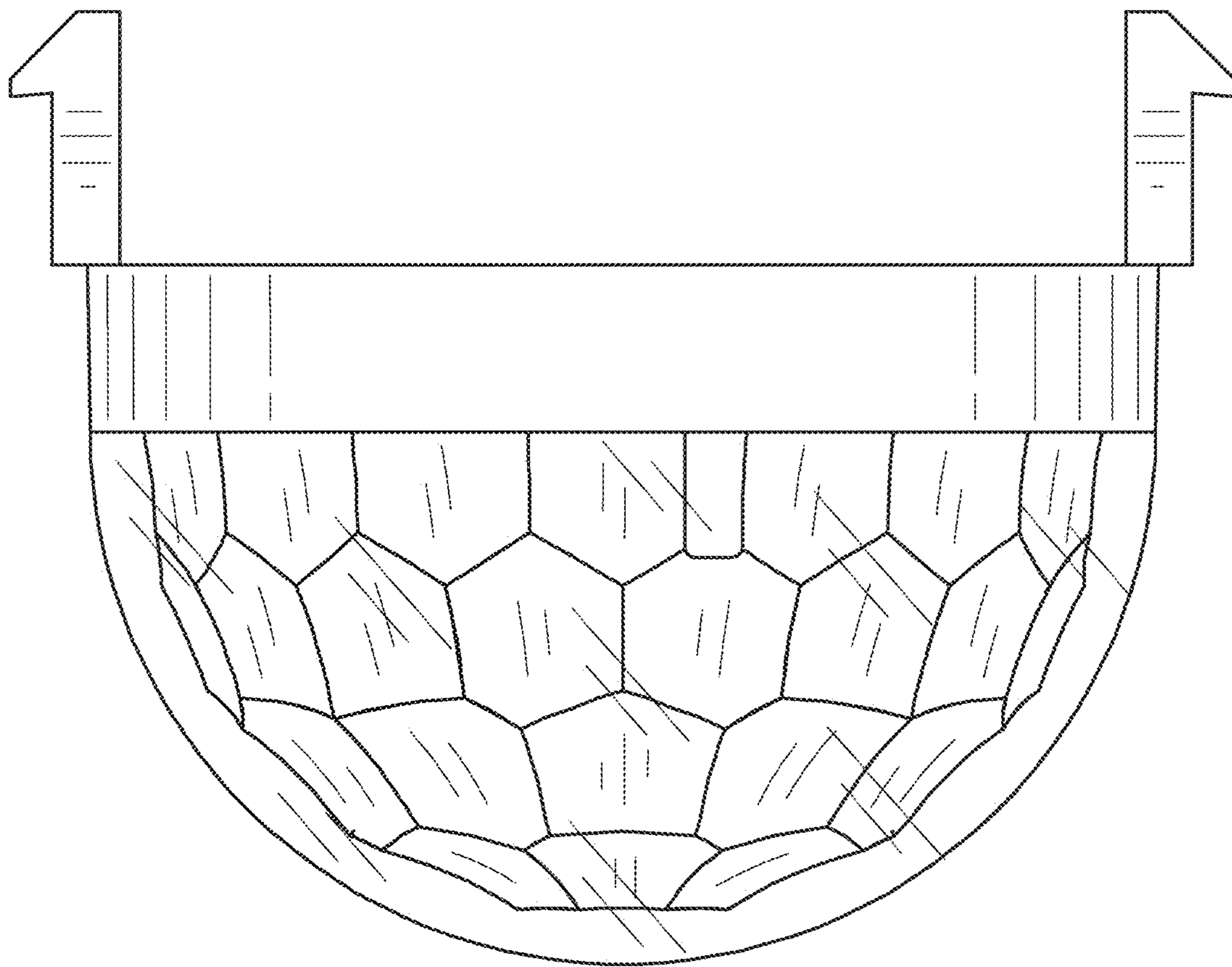


FIG. 2

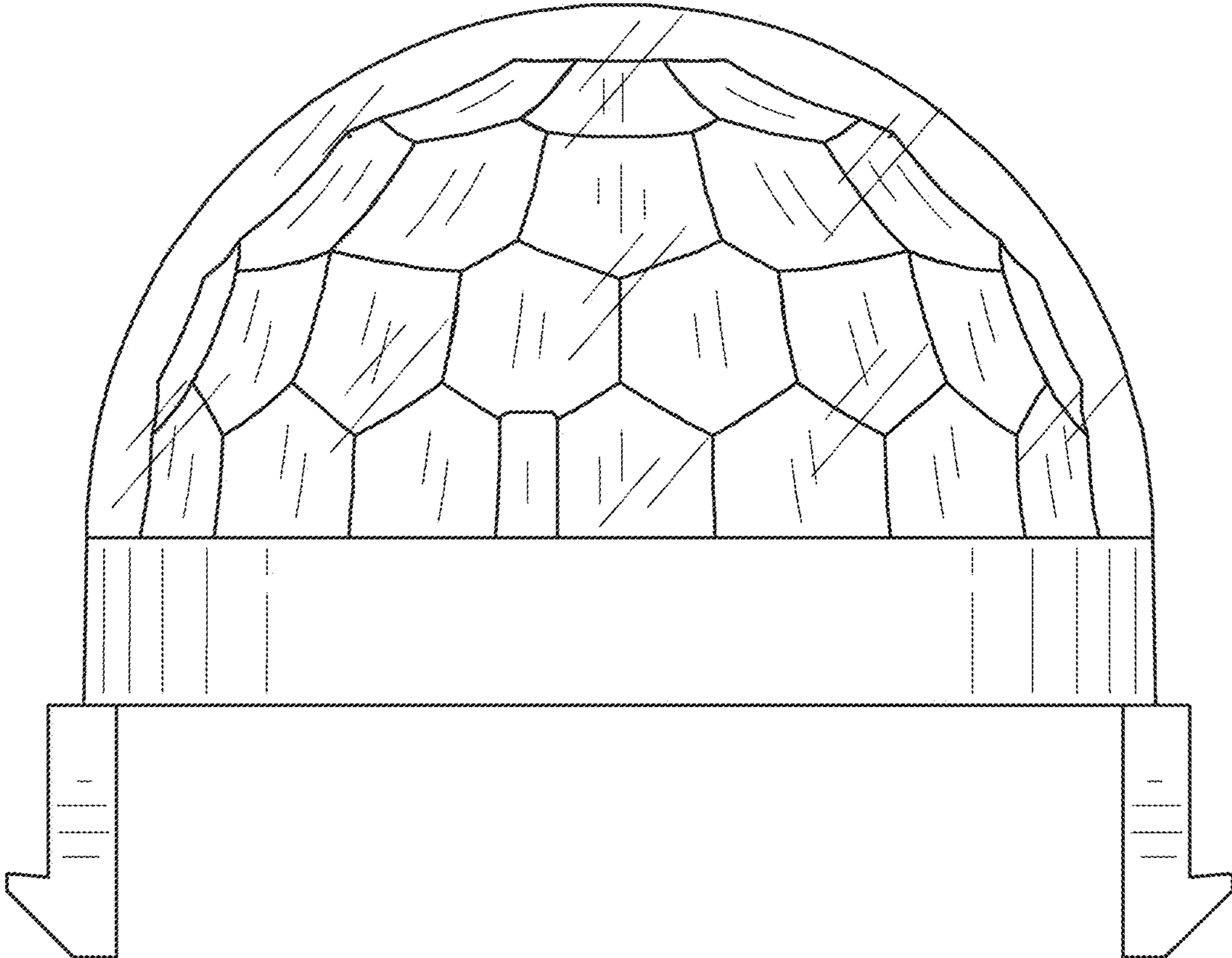


FIG. 3

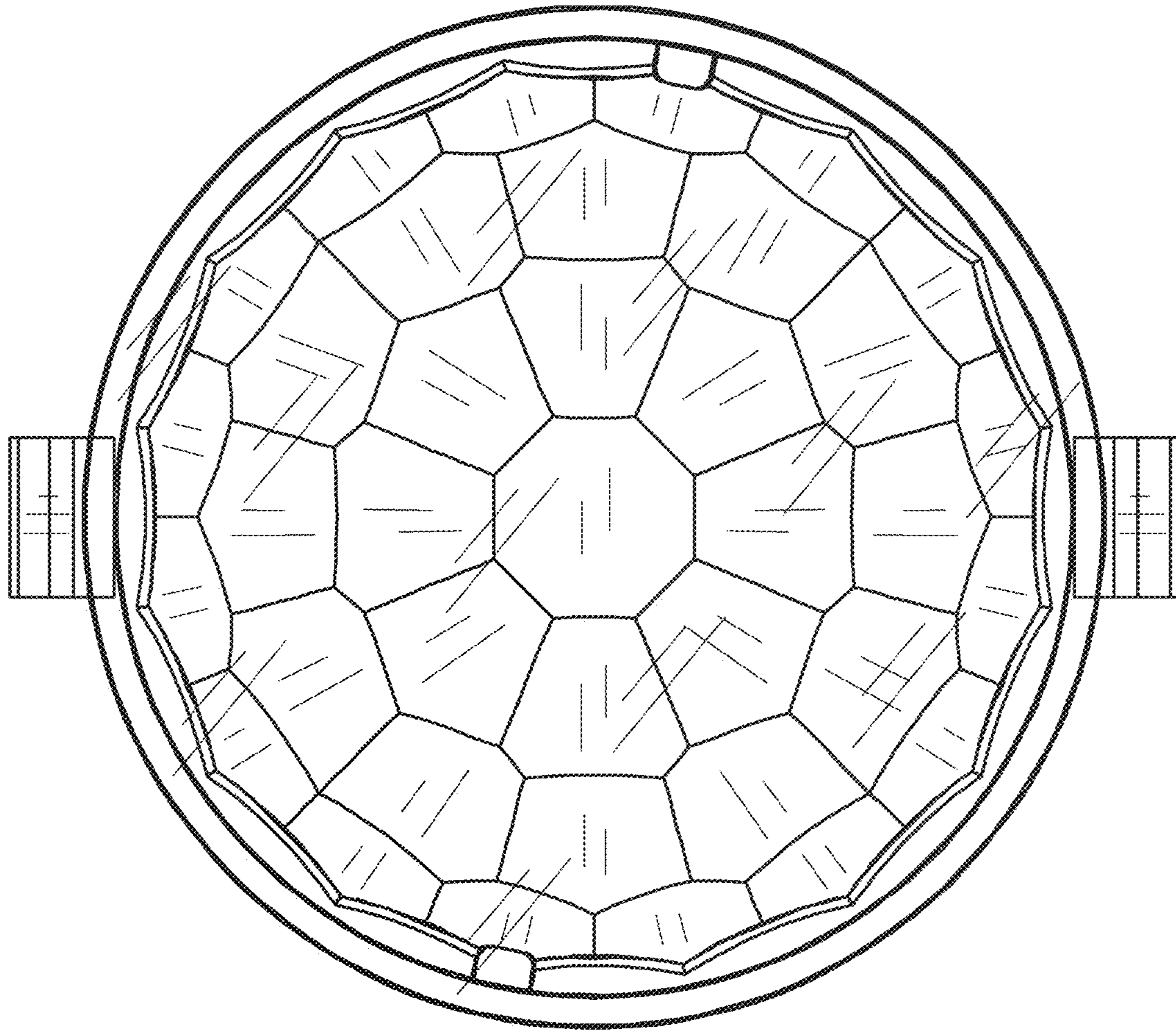


FIG. 4

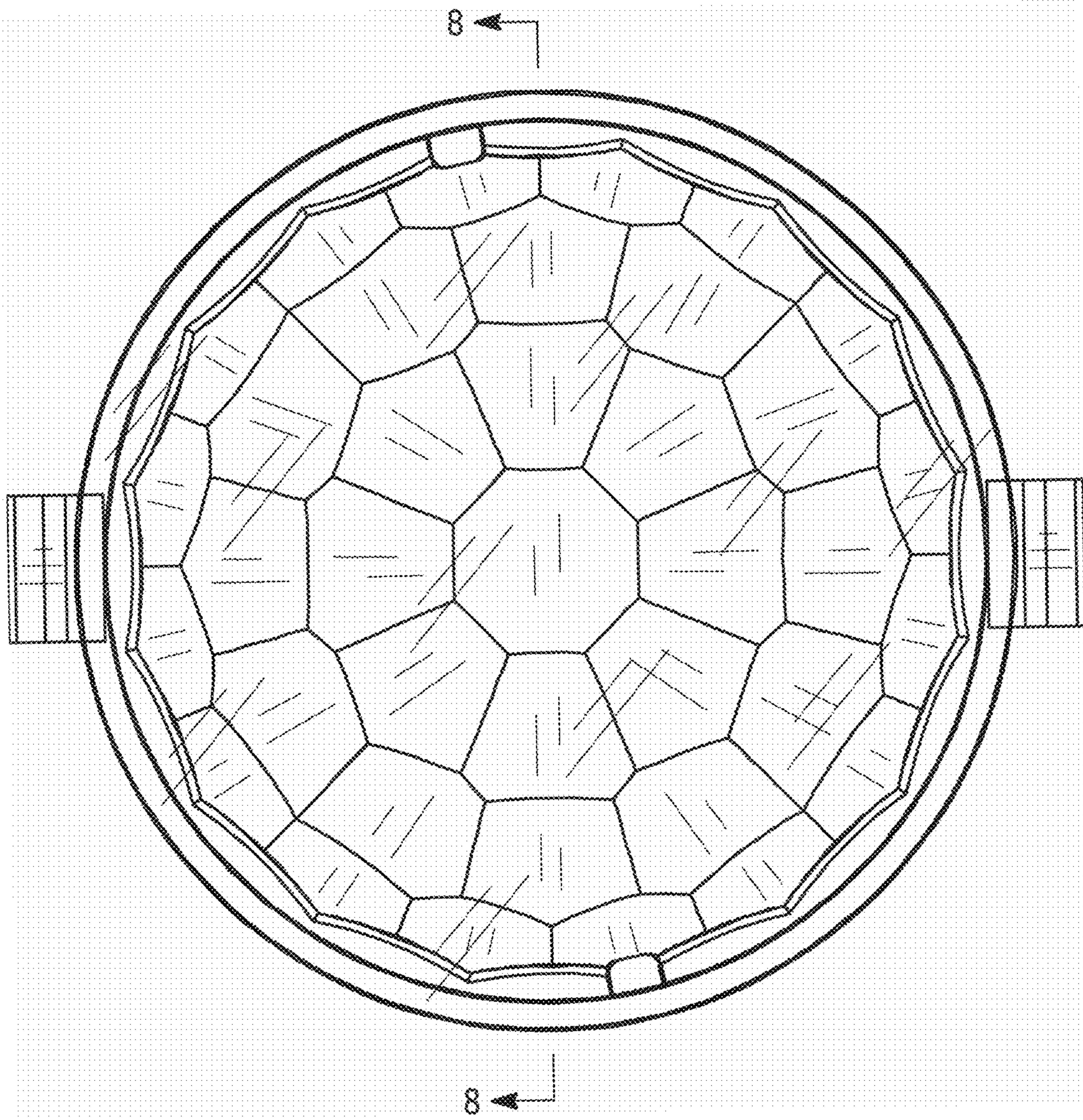


FIG. 5

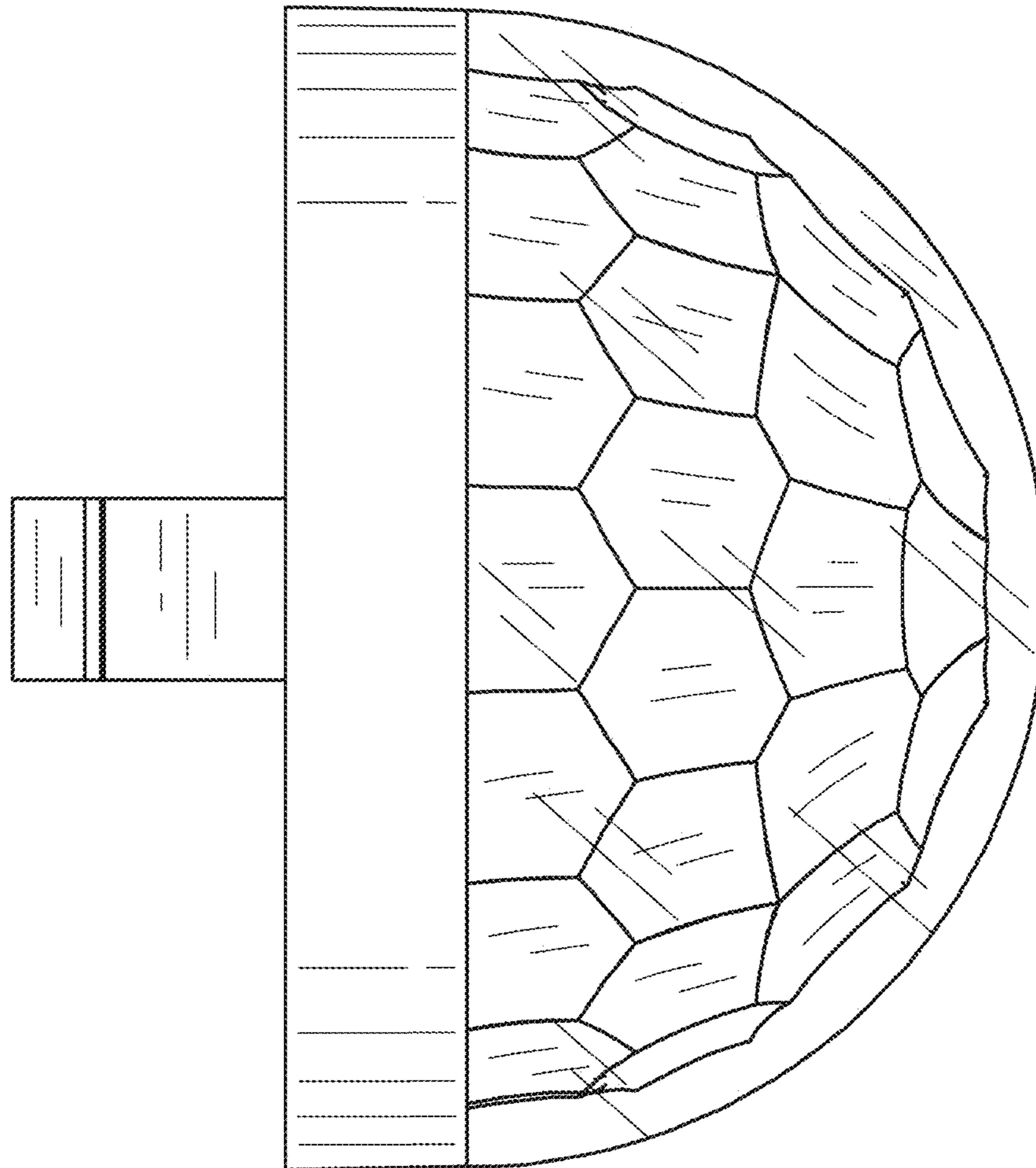


FIG. 6

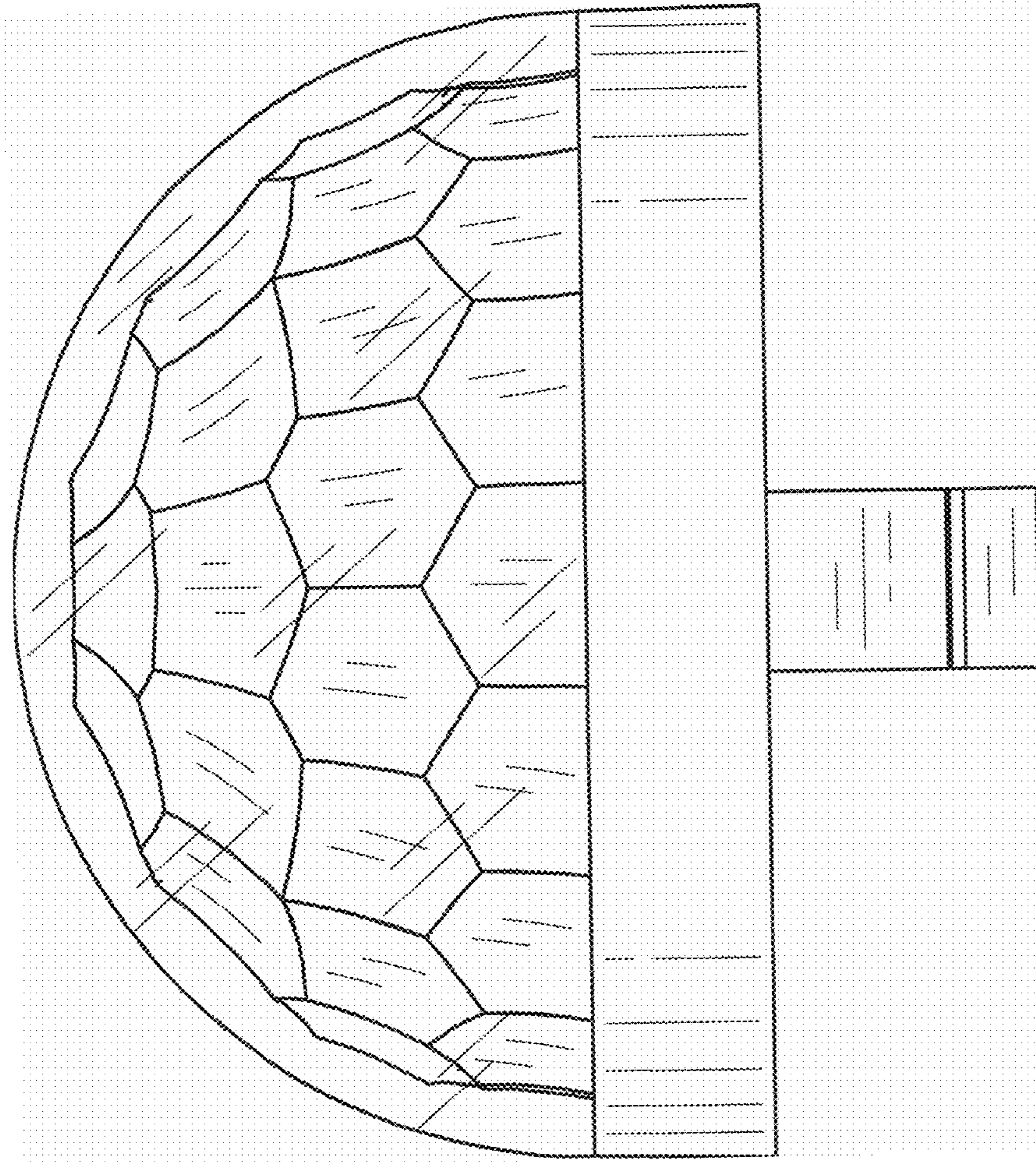


FIG. 7

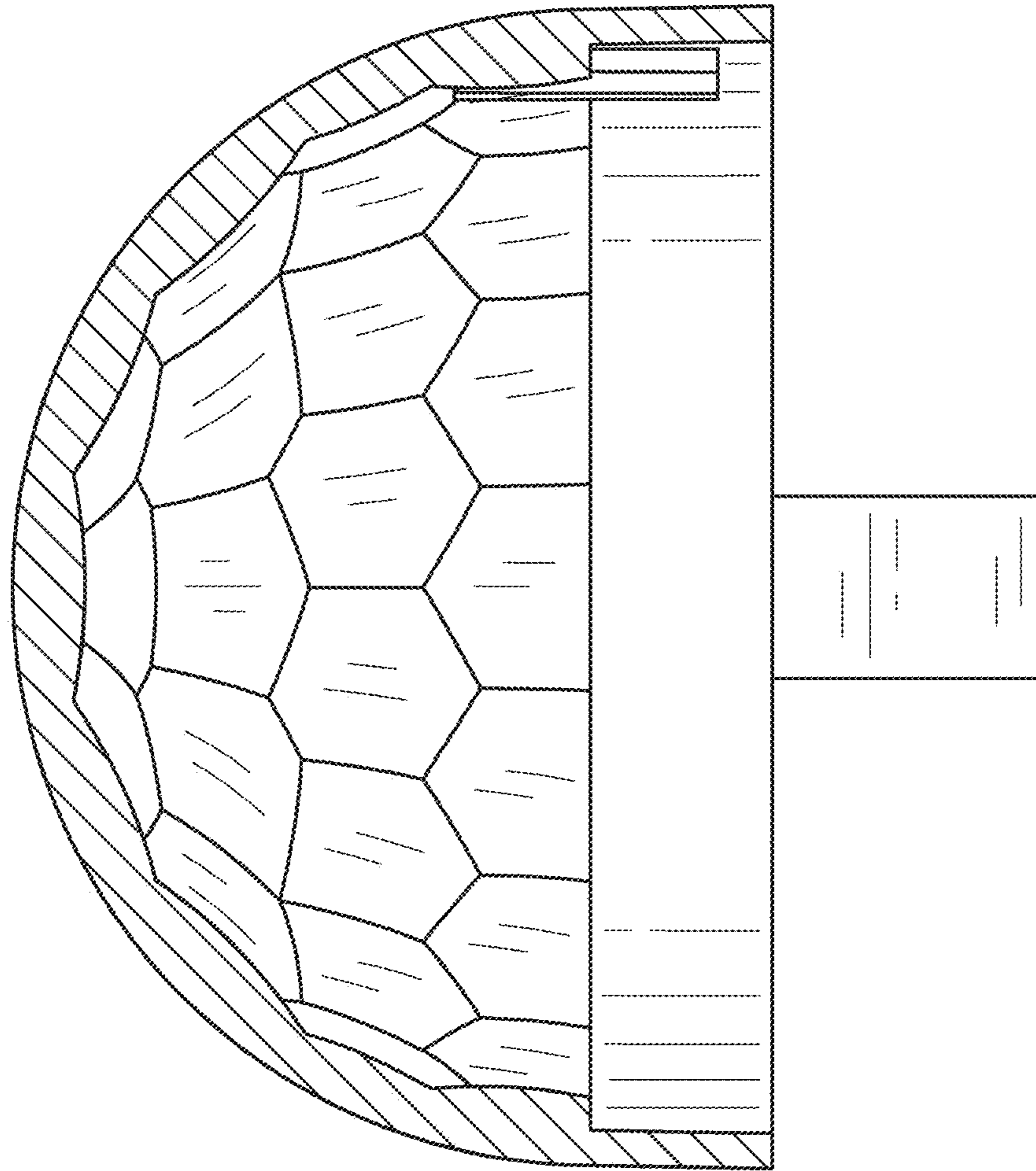


FIG. 8