



US00D975156S

(12) **United States Design Patent**
Chen

(10) **Patent No.:** **US D975,156 S**
(45) **Date of Patent:** **** Jan. 10, 2023**

(54) **WATCH WINDER**
(71) Applicant: **Kehuangda (Guangzhou) Trading Co., Ltd.**, Guangzhou (CN)
(72) Inventor: **Tao Chen**, Guangzhou (CN)
(73) Assignee: **Kehuangda (Guangzhou) Trading Co., Ltd.**, Guangzhou (CN)

D886,879 S * 6/2020 Liu D15/199
D886,880 S * 6/2020 Liu D15/199
D905,773 S * 12/2020 Liang D15/199
D930,059 S * 9/2021 Huang D15/199
D931,923 S * 9/2021 Huang D15/199
D932,532 S * 10/2021 Huang D15/199
D952,721 S * 5/2022 Chen D15/199
D952,723 S * 5/2022 Huang D15/199
D967,222 S * 10/2022 Li D15/199
2010/0165798 A1 * 7/2010 Huang G04D 7/009
368/206

(**) Term: **15 Years**

* cited by examiner

(21) Appl. No.: **29/853,225**

Primary Examiner — Patricia A Palasik

(22) Filed: **Sep. 14, 2022**

(74) *Attorney, Agent, or Firm* — Westbridge IP LLC

Related U.S. Application Data

(62) Division of application No. 29/787,064, filed on Jun. 4, 2021, now Pat. No. Des. 968,493.

(51) **LOC (14) Cl.** **15-99**

(52) **U.S. Cl.**
USPC **D15/199**

(58) **Field of Classification Search**
USPC D3/273–294, 298; D9/414, 418, 420,
D9/421, 423, 431–432; D15/199
CPC ... G04B 5/00; G04B 5/04; G04D 7/00; G04D
7/009

See application file for complete search history.

(56) **References Cited**

U.S. PATENT DOCUMENTS

D510,210 S * 10/2005 Au D3/294
D514,848 S * 2/2006 Au D3/294
D520,540 S * 5/2006 Siu D15/199
7,927,009 B2 * 4/2011 Huang G04D 7/009
439/701
D707,118 S * 6/2014 Au D9/418
D719,991 S * 12/2014 Ko D15/199
D781,944 S * 3/2017 Lee D15/199

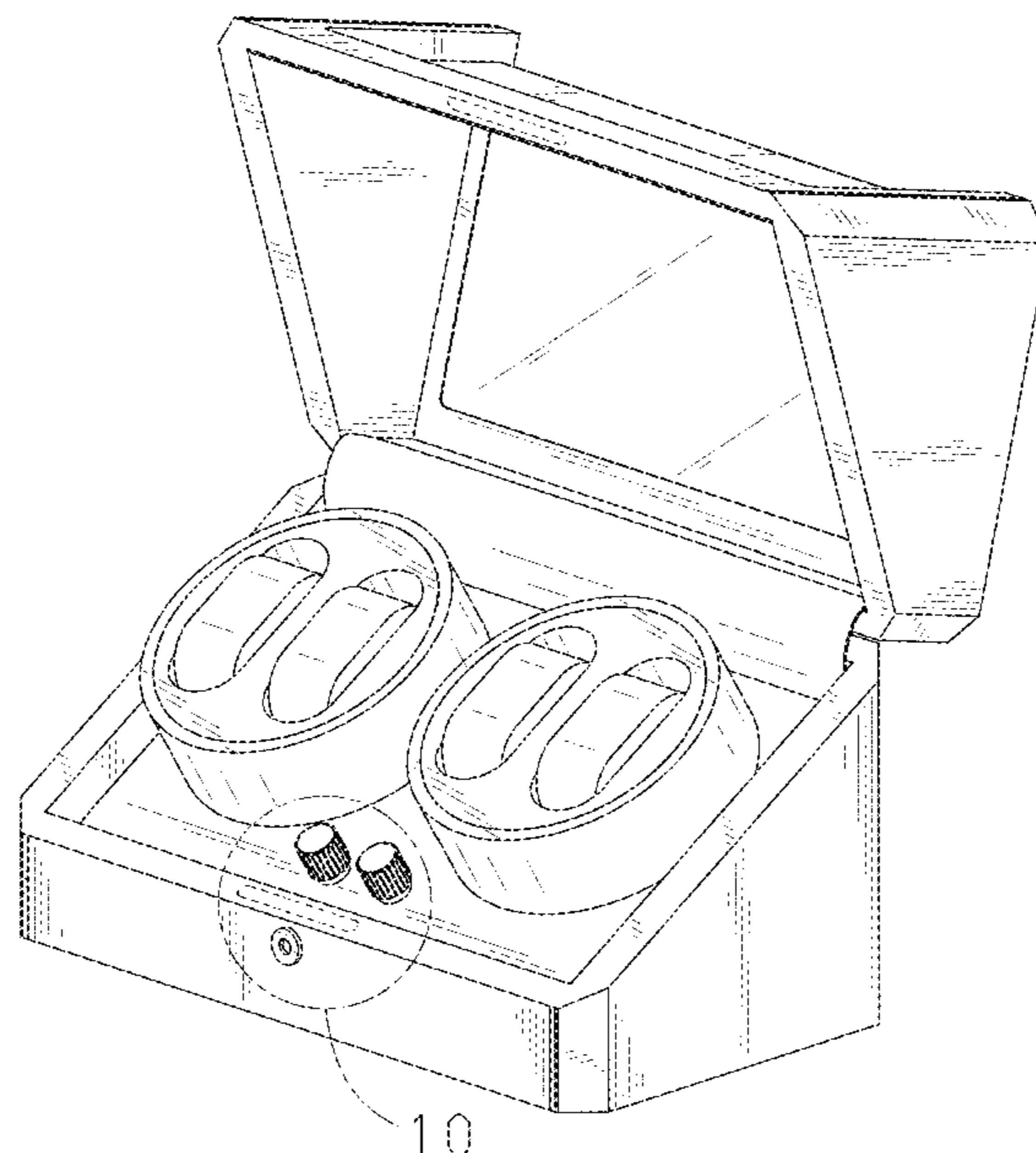
(57) **CLAIM**

The ornamental design for a watch winder, as shown and described.

DESCRIPTION

FIG. 1 is a top, front and left side perspective view of a watch winder showing my new design;
FIG. 2 is a bottom, rear and right side perspective view thereof;
FIG. 3 is a front elevation view thereof;
FIG. 4 is a rear elevation view thereof;
FIG. 5 is a left side elevation view thereof;
FIG. 6 is a right side elevation view thereof;
FIG. 7 is a top plan view thereof;
FIG. 8 is a bottom plan view thereof;
FIG. 9 is a top, front and right side perspective view thereof with a cover opened; and,
FIG. 10 is a partial enlarged view of portion 10 in FIG. 9. The dash-dash broken lines in the drawings depict portions of the watch winder that form no part of the claim. The dot-dash broken lines in the drawings are included for the purpose of depicting the partial enlarged views.

1 Claim, 10 Drawing Sheets



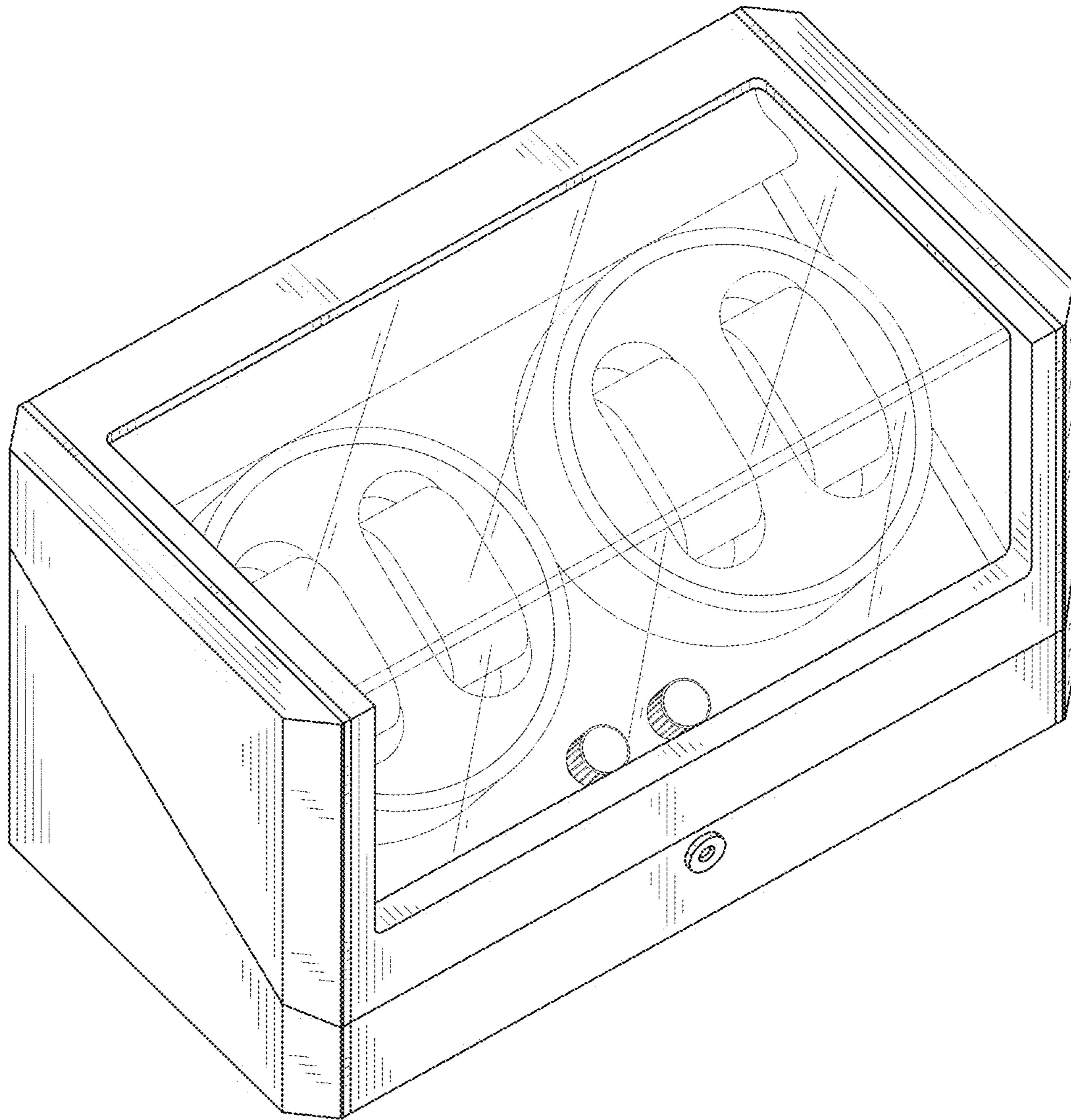


FIG. 1

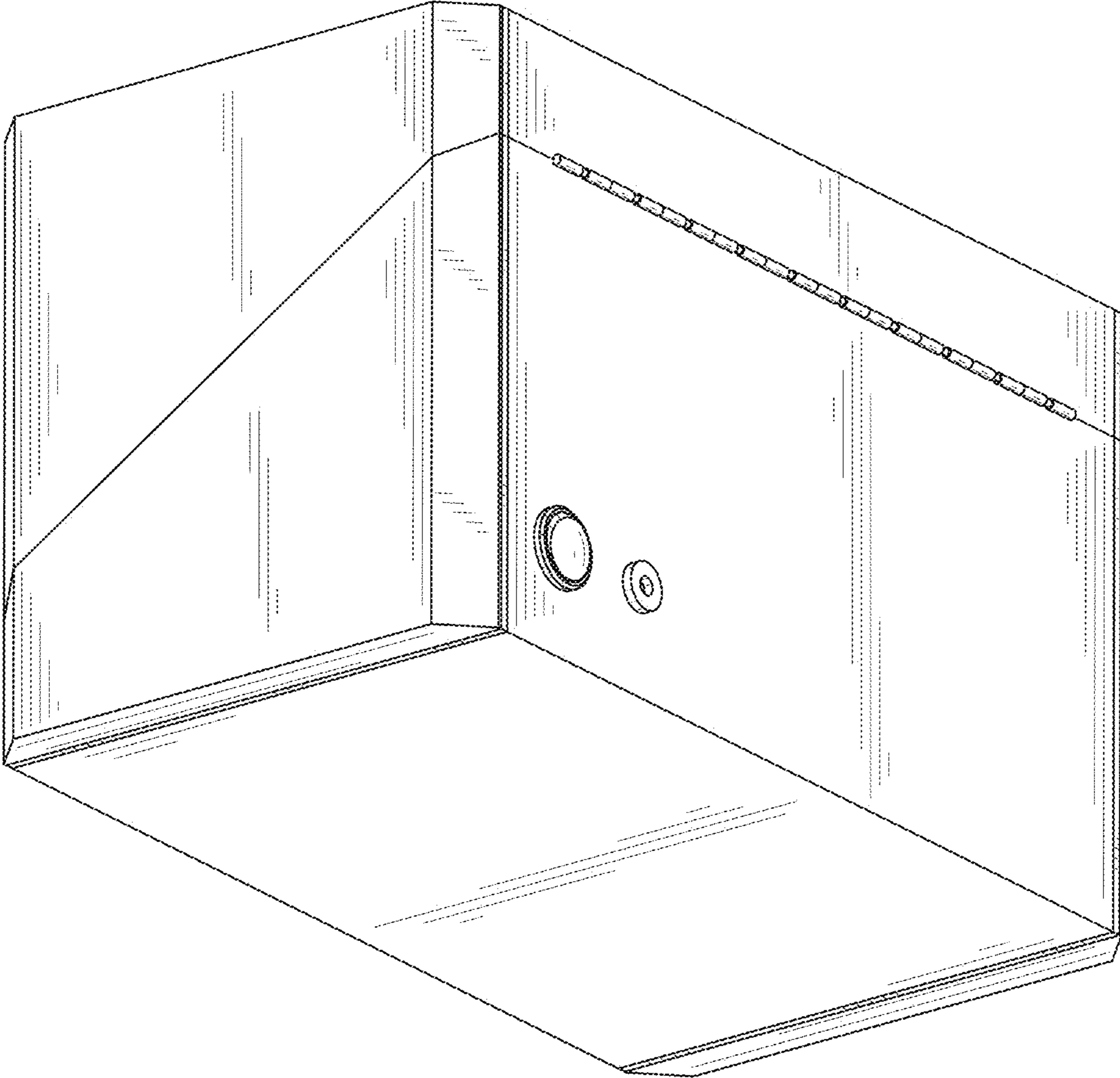


FIG. 2

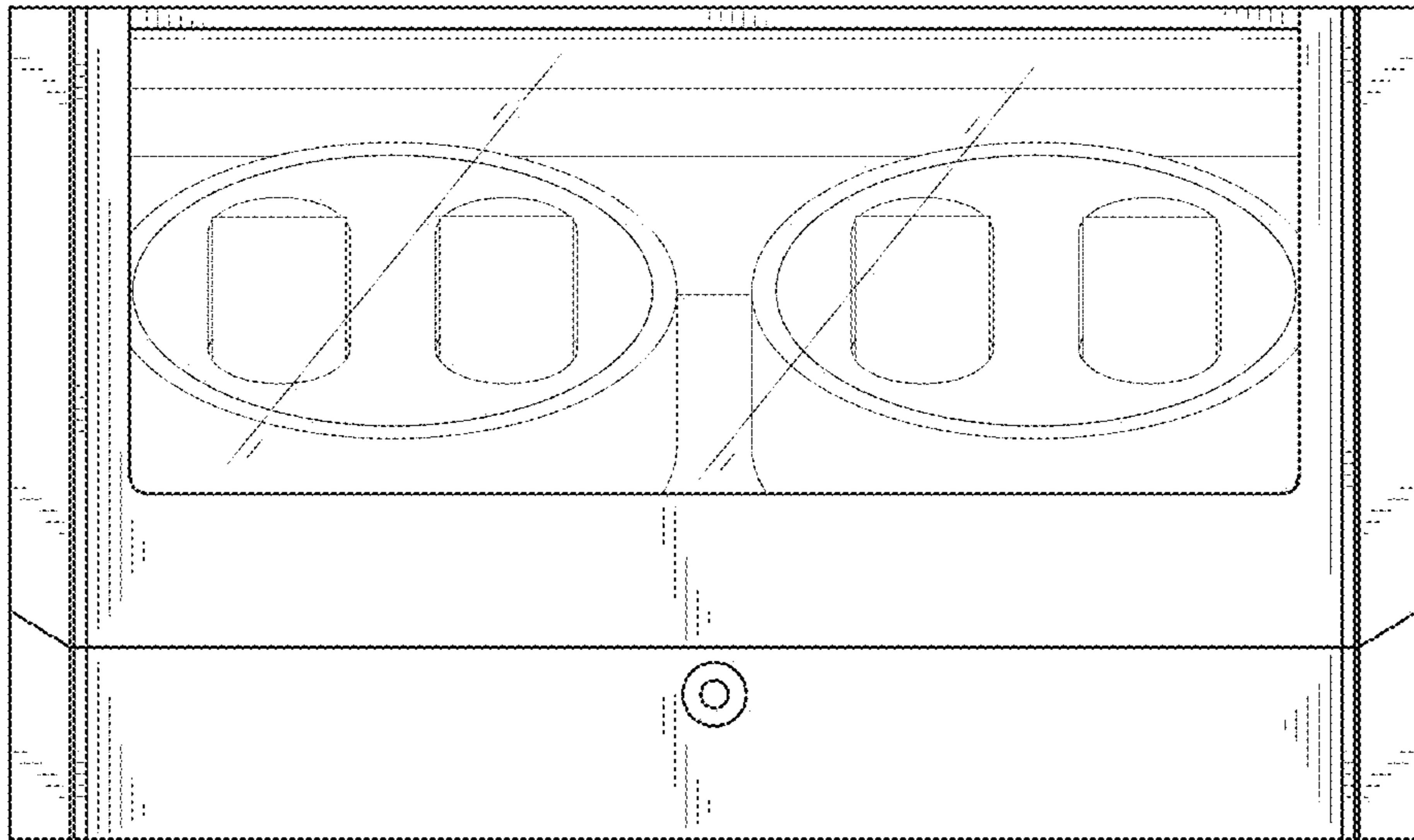


FIG. 3

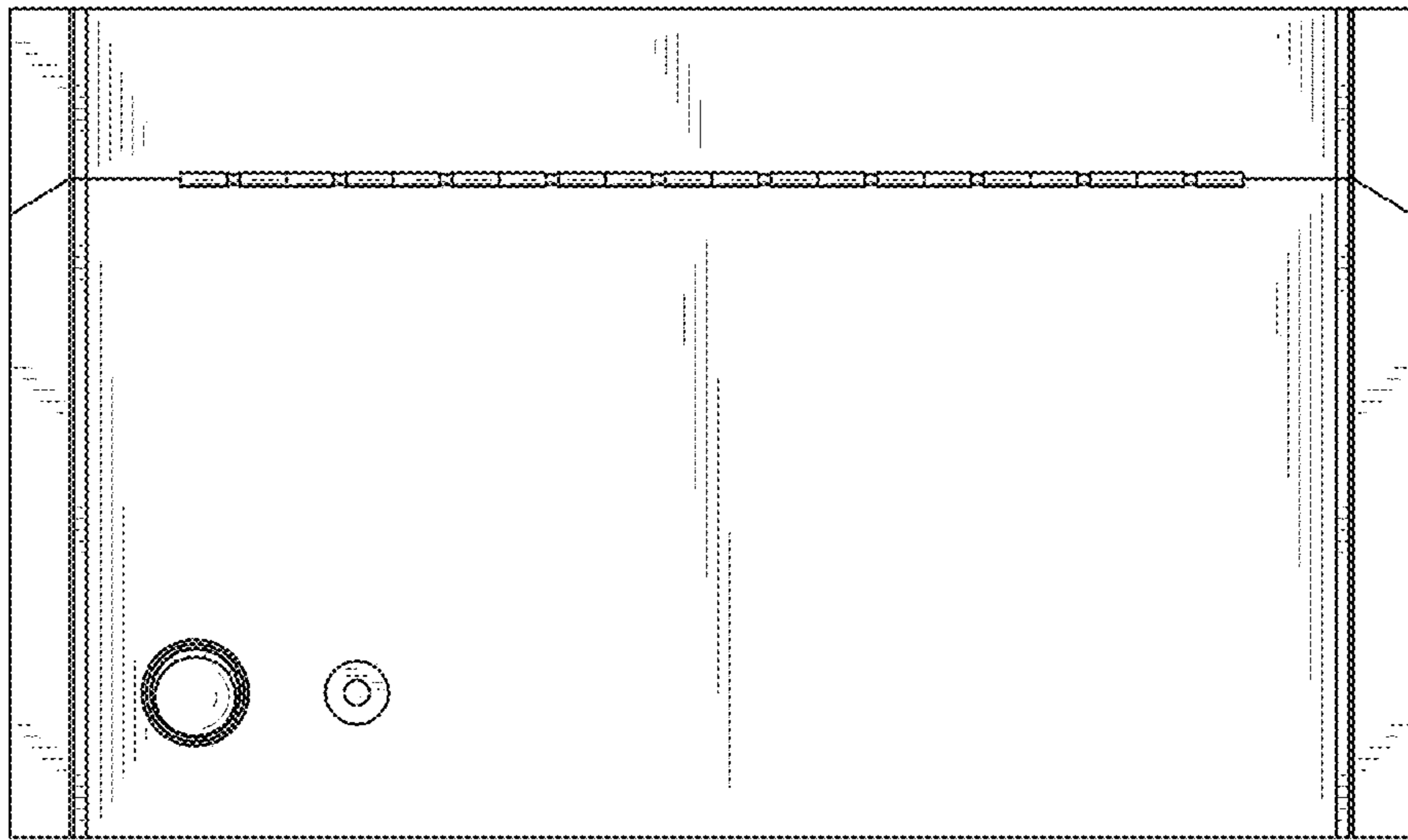


FIG. 4

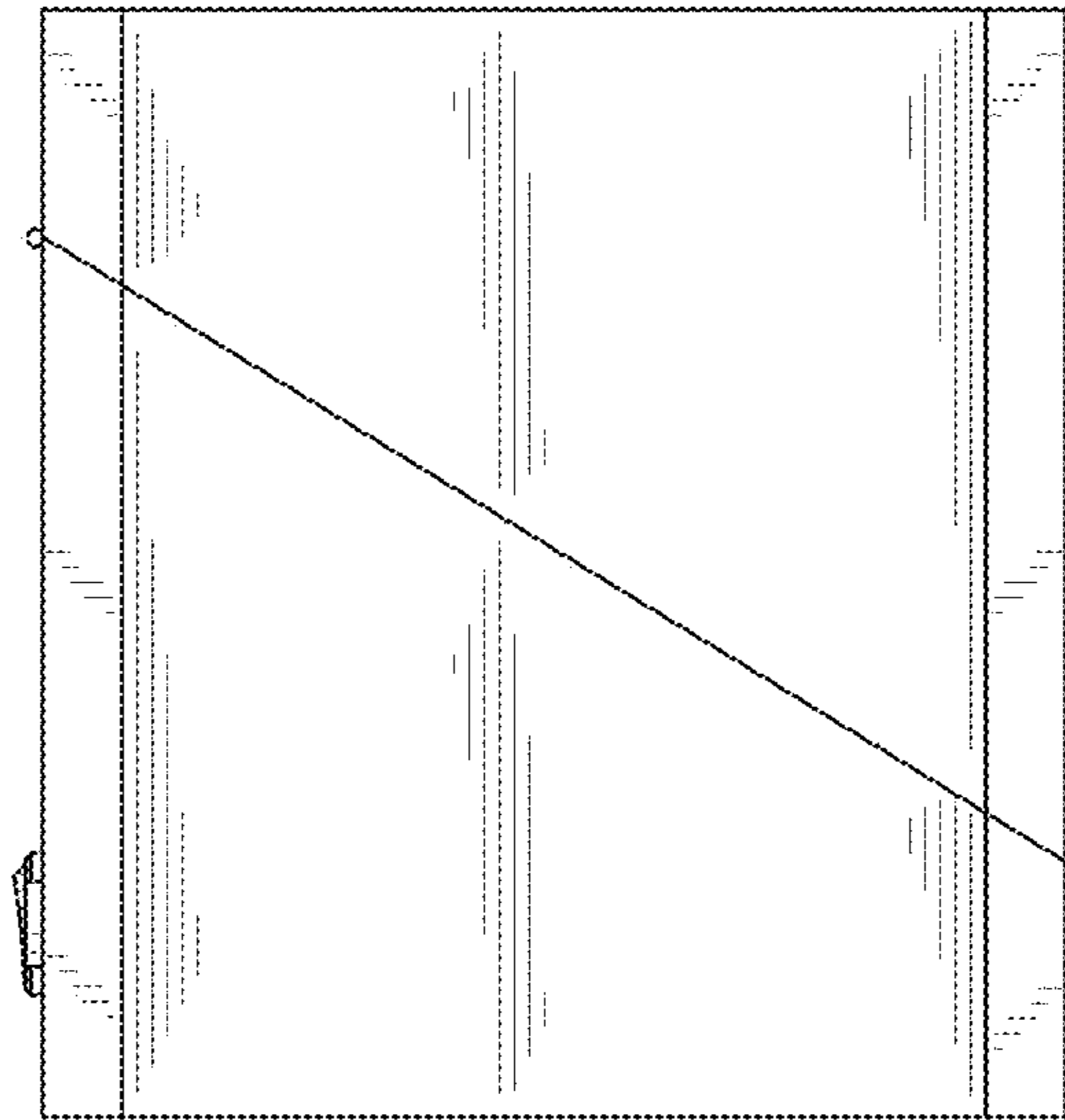


FIG. 5

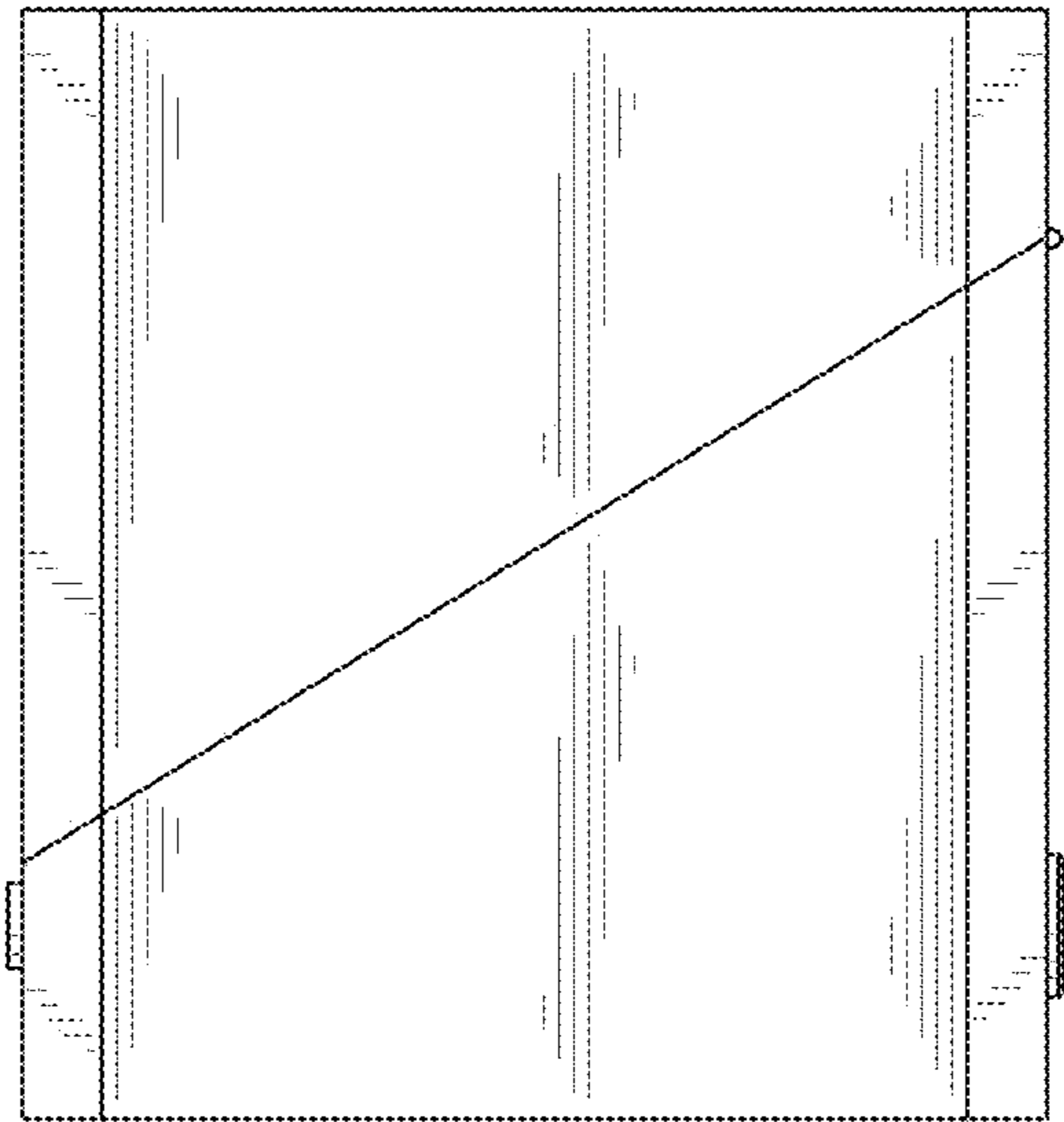


FIG. 6

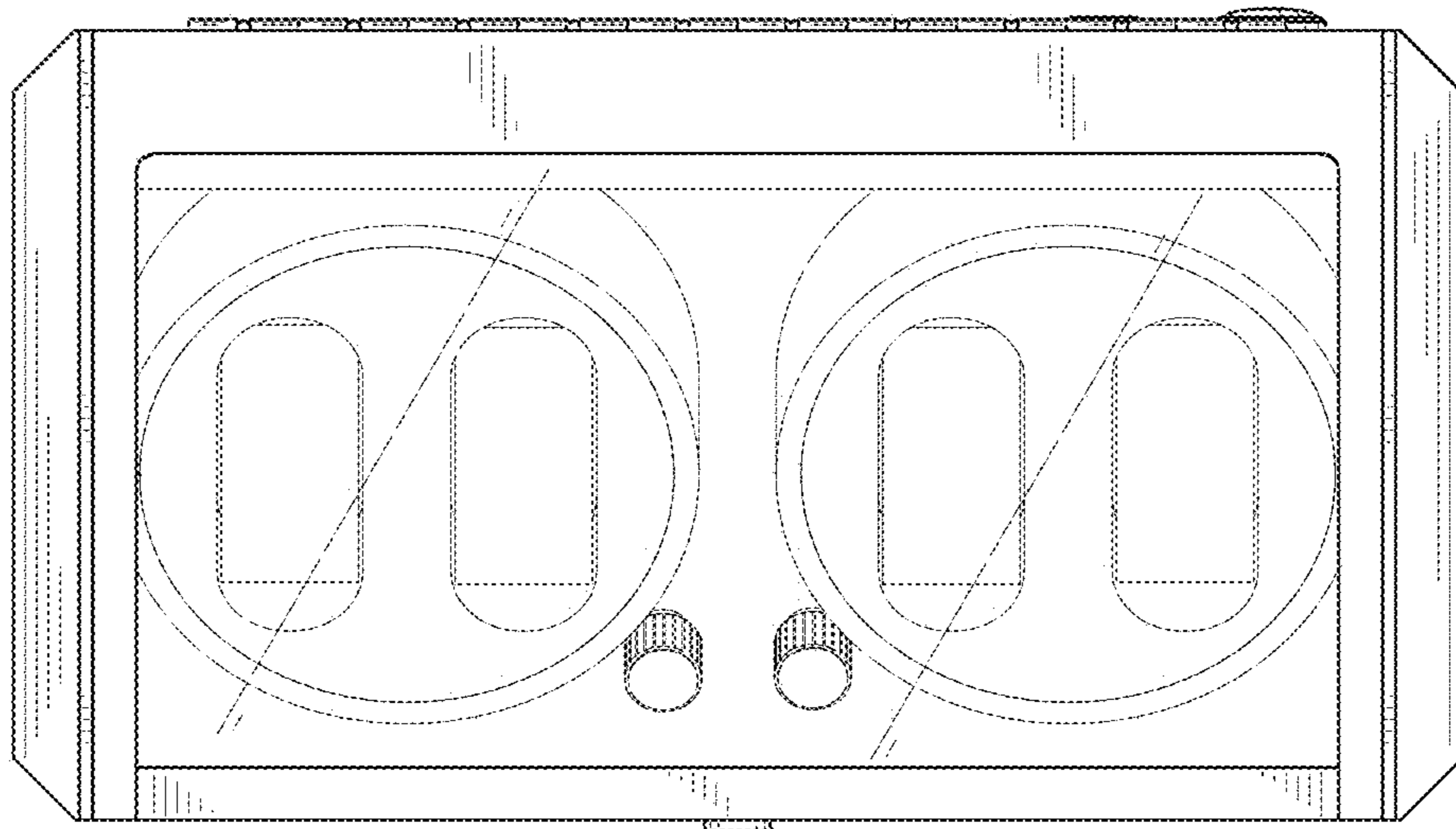


FIG. 7

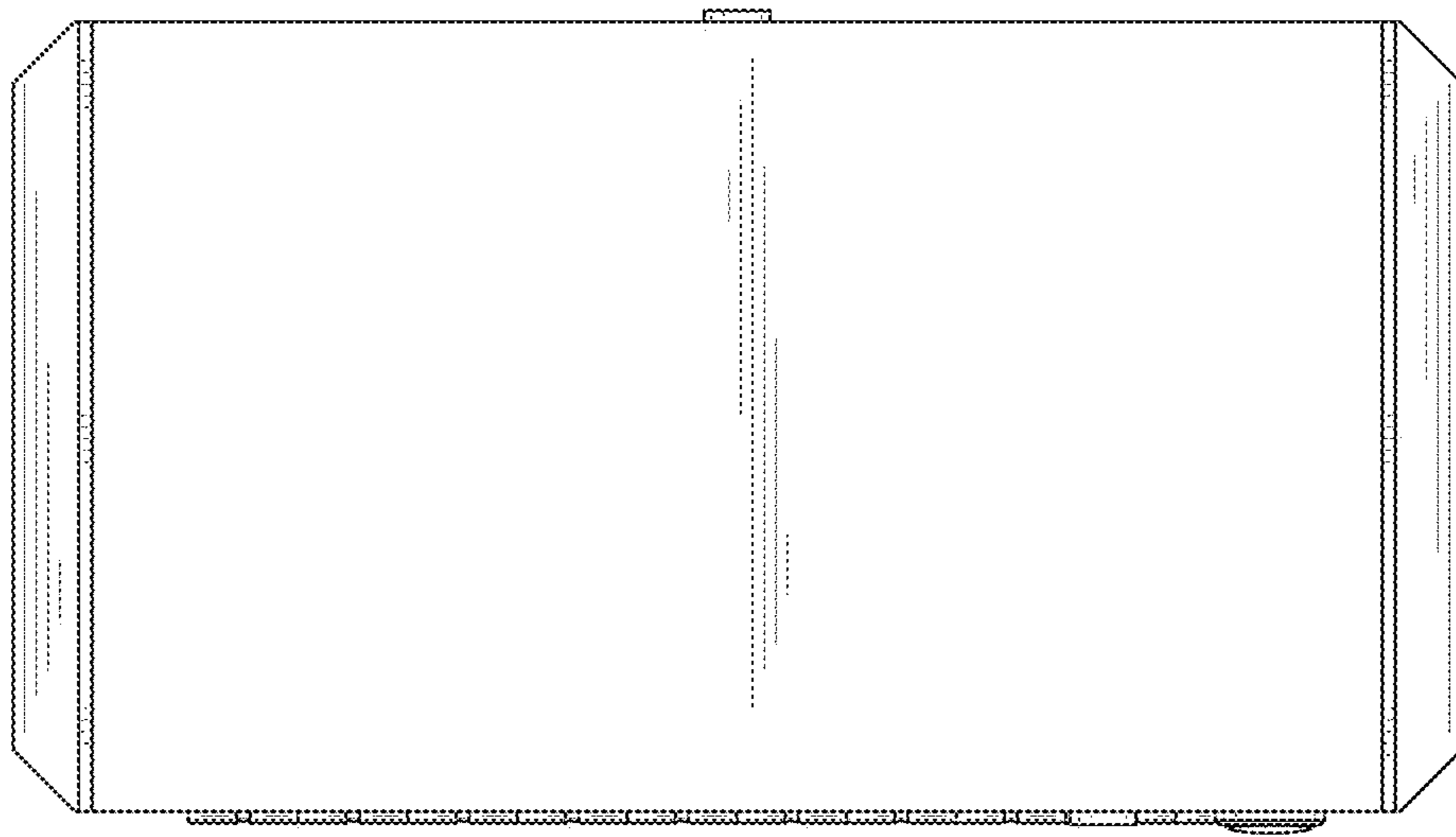


FIG. 8

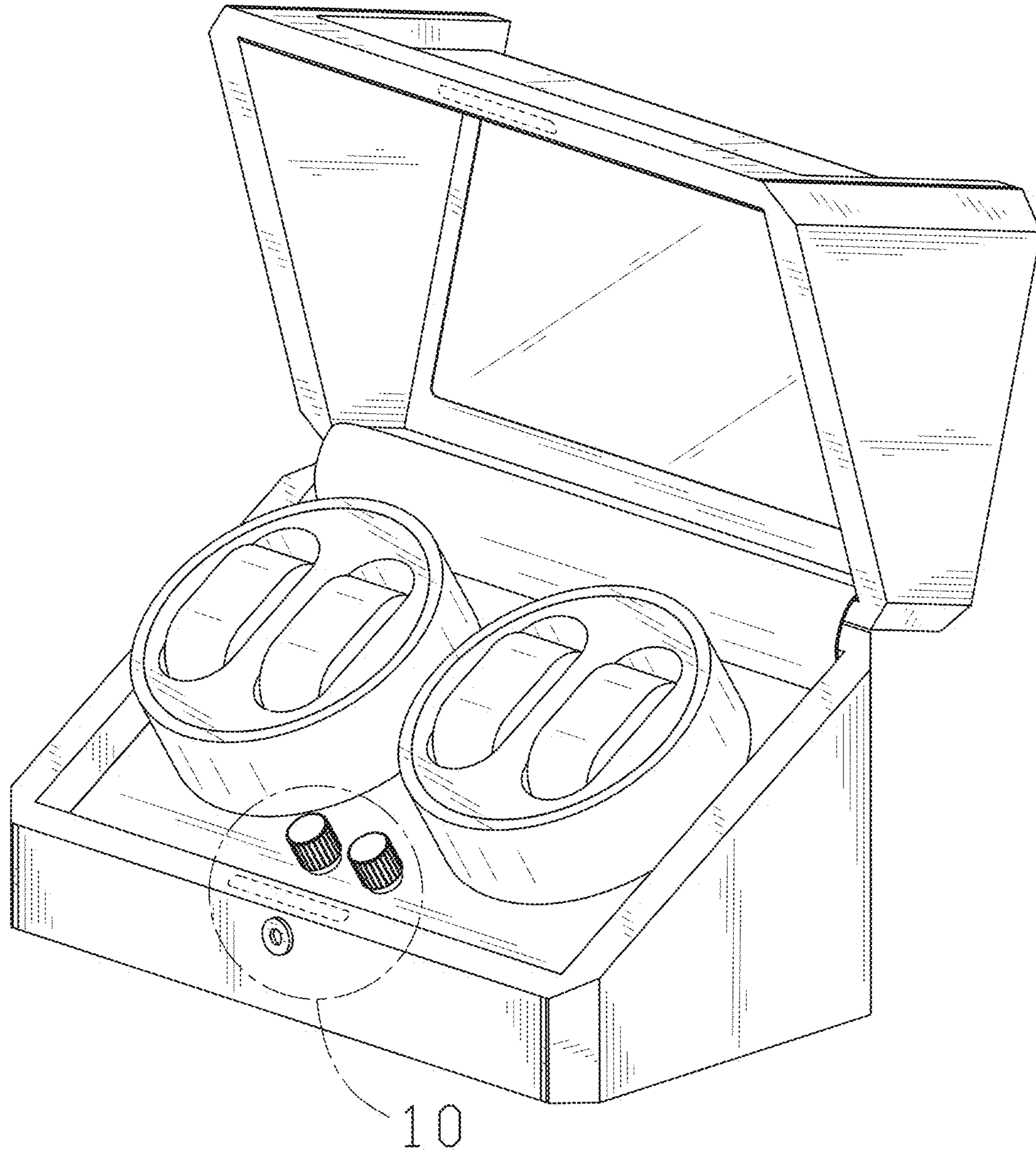


FIG. 9

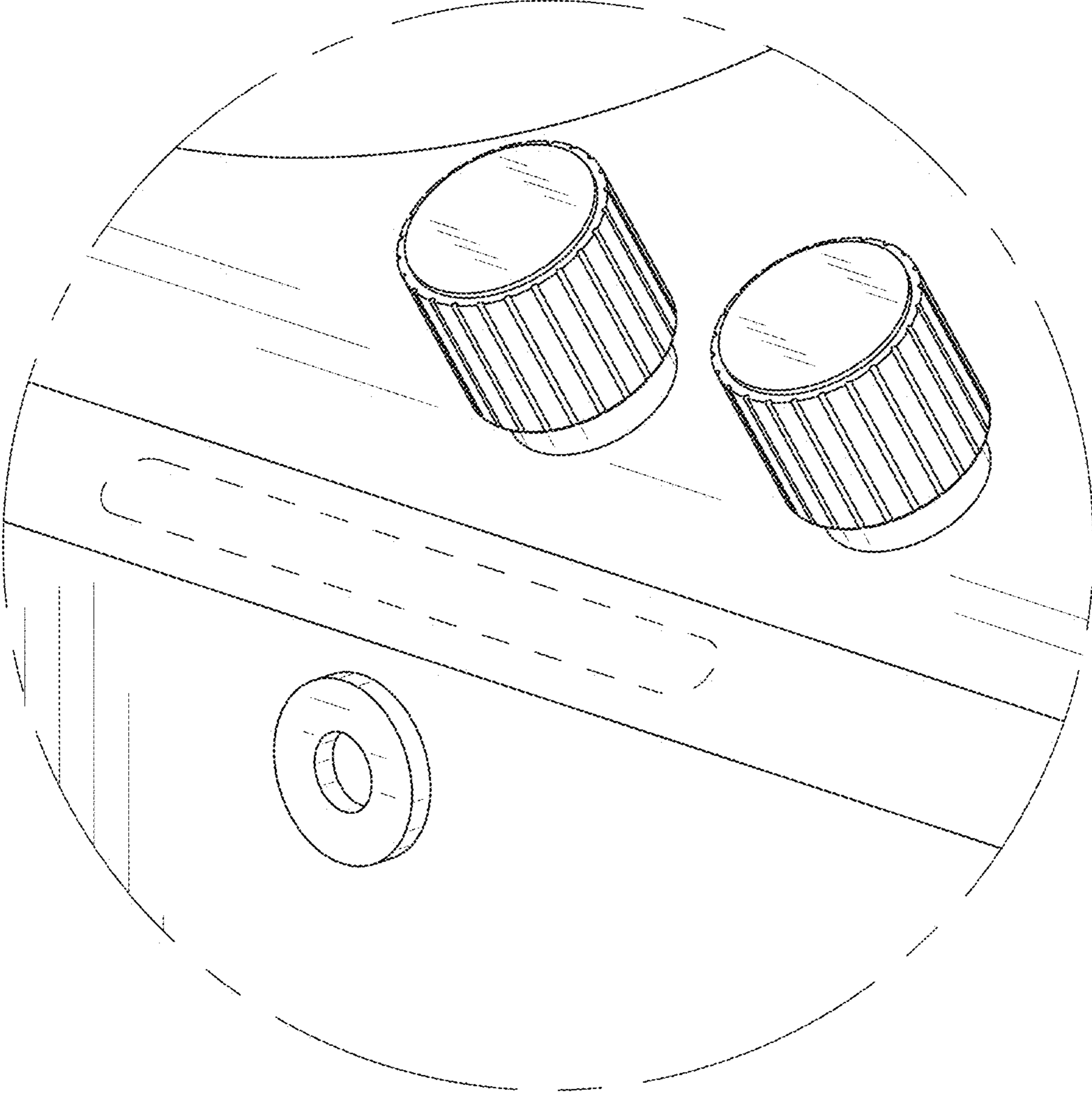


FIG. 10