



US00D975153S

(12) **United States Design Patent**
Okazaki et al.

(10) **Patent No.:** **US D975,153 S**
(45) **Date of Patent:** **** Jan. 10, 2023**

- (54) **VEHICLE DRIVING ROBOT**
- (71) Applicant: **MEIDENSHA CORPORATION**,
Tokyo (JP)
- (72) Inventors: **Nobuo Okazaki**, Tokyo (JP); **Akihiko Kodama**, Tokyo (JP)
- (73) Assignee: **MEIDENSHA CORPORATION**,
Tokyo (JP)
- (**) Term: **15 Years**
- (21) Appl. No.: **29/758,637**
- (22) Filed: **Nov. 17, 2020**
- (30) **Foreign Application Priority Data**
May 19, 2020 (JP) 2020-009773 D
- (51) **LOC (14) Cl.** **15-99**
- (52) **U.S. Cl.**
USPC **D15/199**
- (58) **Field of Classification Search**
USPC D15/199; D21/369, 578, 580, 581, 582,
D21/583, 621, 622
CPC B60T 17/223; G01M 17/0074
See application file for complete search history.

- D882,658 S * 4/2020 Kawaguchi D15/199
 - D882,659 S * 4/2020 Kawaguchi D15/199
 - D895,700 S * 9/2020 Lundback D15/199
- (Continued)

FOREIGN PATENT DOCUMENTS

- JP H8-29295 A 2/1996
 - JP H8-261883 A 10/1996
- (Continued)

OTHER PUBLICATIONS

JPO; Application No. 2020-009773; Notice of Allowance dated Oct. 23, 2020.

Primary Examiner — Michael C Stout
Assistant Examiner — Fritzgerald L Butac
(74) *Attorney, Agent, or Firm* — Fitch, Even, Tabin & Flannery LLP

(57) **CLAIM**

We claim the ornamental design for a vehicle driving robot, as shown and described.

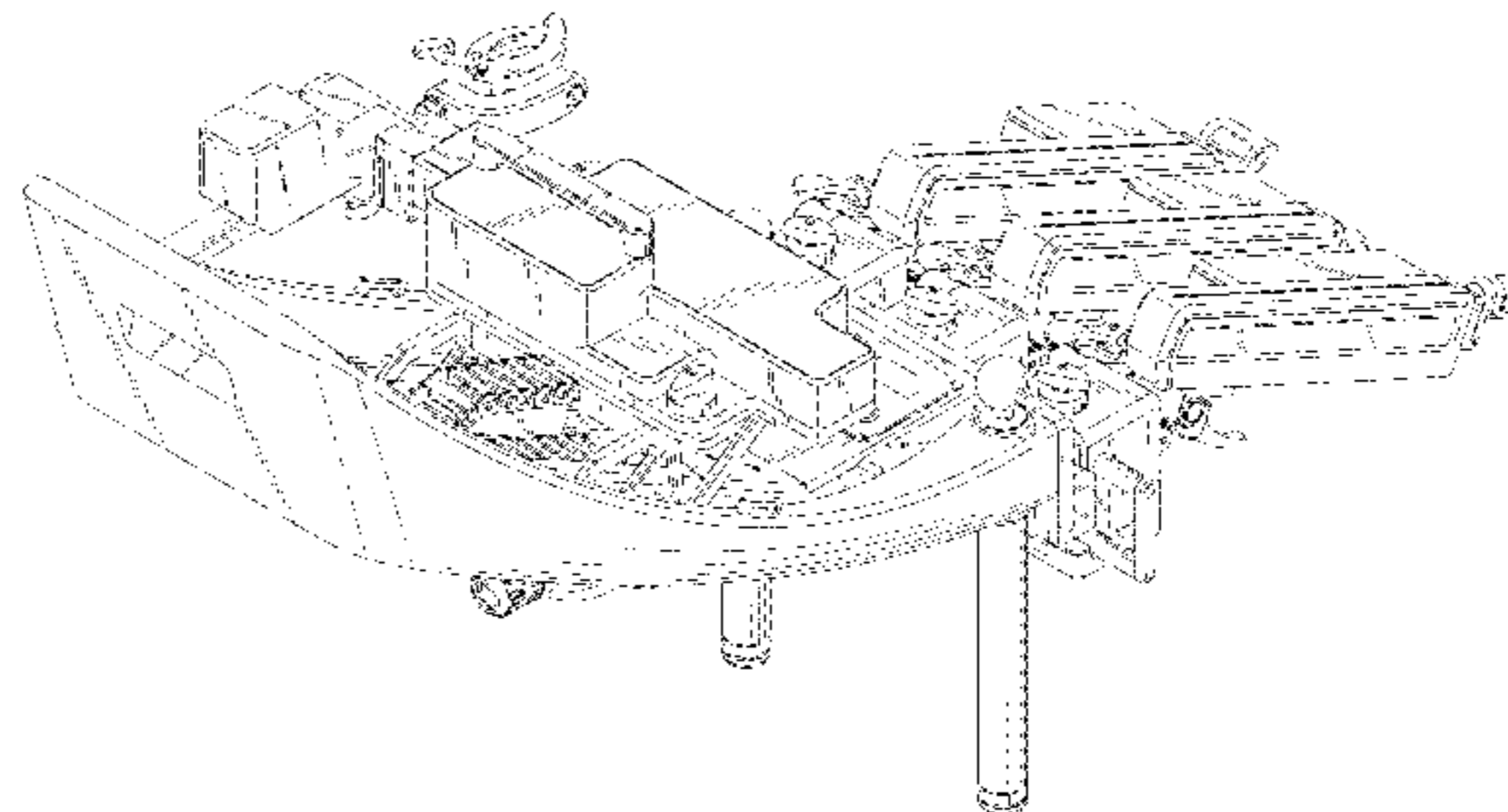
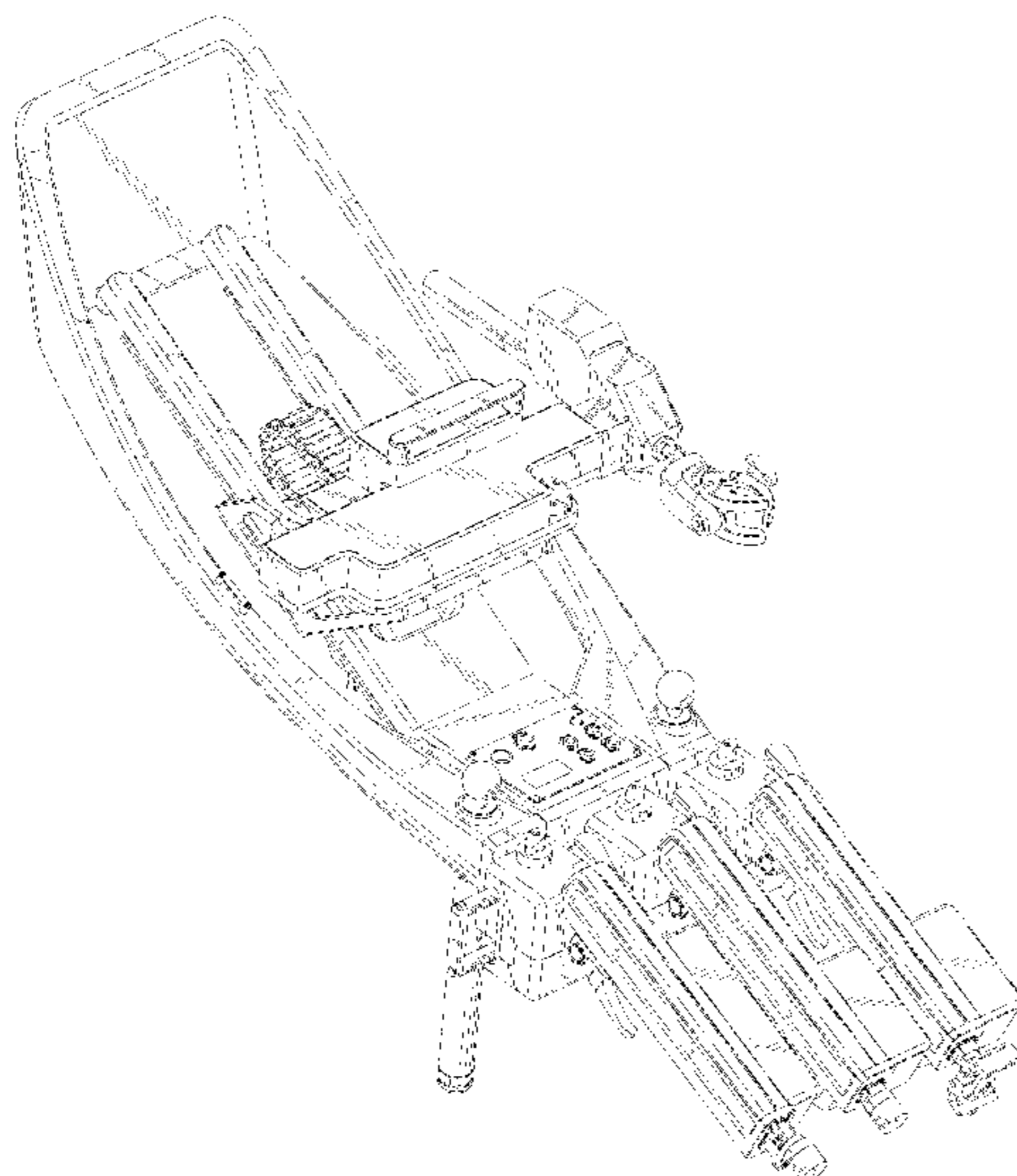
DESCRIPTION

FIG. 1 is a front, left, top perspective view of a vehicle driving robot, showing our new design; FIG. 2 is a rear, left, top perspective view thereof; FIG. 3 is a front elevational view thereof; FIG. 4 is a rear elevational view thereof; FIG. 5 is a top plan view thereof; FIG. 6 is a bottom plan view thereof; FIG. 7 is a right side elevational view thereof; FIG. 8 is a left side elevational view thereof; and, FIG. 9 is an enlarged cross-sectional view thereof taken along line 9-9 in FIG. 5, with only the sectioned portions thereof illustrated.

The broken lines show portions of the vehicle driving robot which form no part of the claimed design.

1 Claim, 8 Drawing Sheets

- (56) **References Cited**
U.S. PATENT DOCUMENTS
4,229,136 A * 10/1980 Panissidi B25J 19/0012
414/673
4,653,739 A * 3/1987 Moore B23K 37/0461
228/49.2
D778,218 S * 2/2017 Okazaki D12/174
D847,238 S * 4/2019 Kawaguchi D15/199
D847,239 S * 4/2019 Kawaguchi D15/199
D847,240 S * 4/2019 Kawaguchi D15/199
D847,241 S * 4/2019 Kawaguchi D15/199
D847,242 S * 4/2019 Kawaguchi D15/199
D882,656 S * 4/2020 Kawaguchi D15/199
D882,657 S * 4/2020 Kawaguchi D15/199



(56)

References Cited

U.S. PATENT DOCUMENTS

D895,701 S * 9/2020 Lundback D15/199
D895,702 S * 9/2020 Lundback D15/199
D895,703 S * 9/2020 Lundback D15/199
D903,011 S * 11/2020 Lee D21/578
D934,931 S * 11/2021 Sato B01F 7/027
D937,939 S * 12/2021 Cai D15/199
D937,939 S * 12/2021 Cai D21/578

FOREIGN PATENT DOCUMENTS

JP H9-304236 A 11/1997
JP H11-201870 A 7/1999
JP H11-248601 A 9/1999
JP 2002-340727 A 11/2002
JP 2004-361369 A 12/2004
JP 1642098 S 9/2019

* cited by examiner

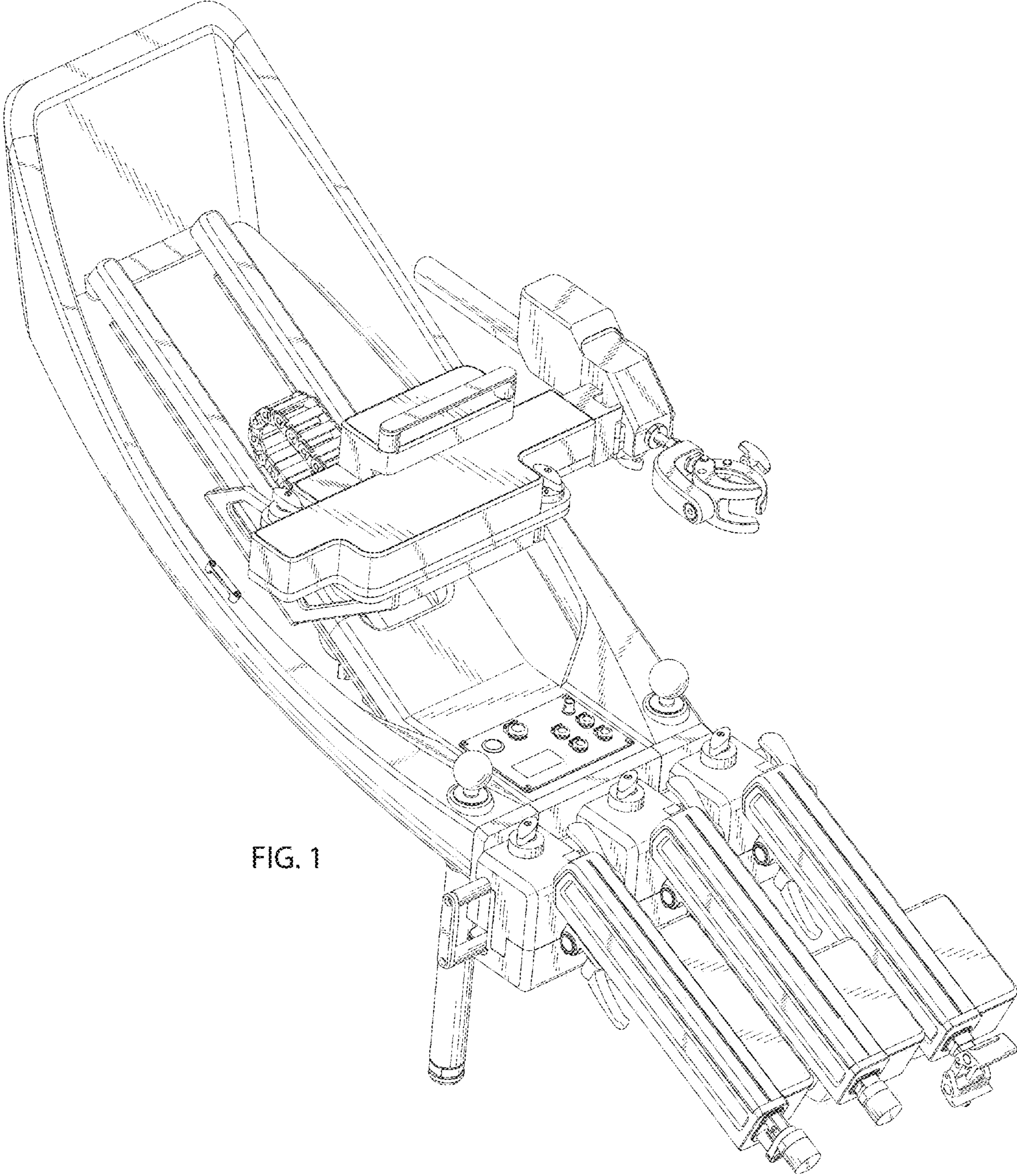


FIG. 1

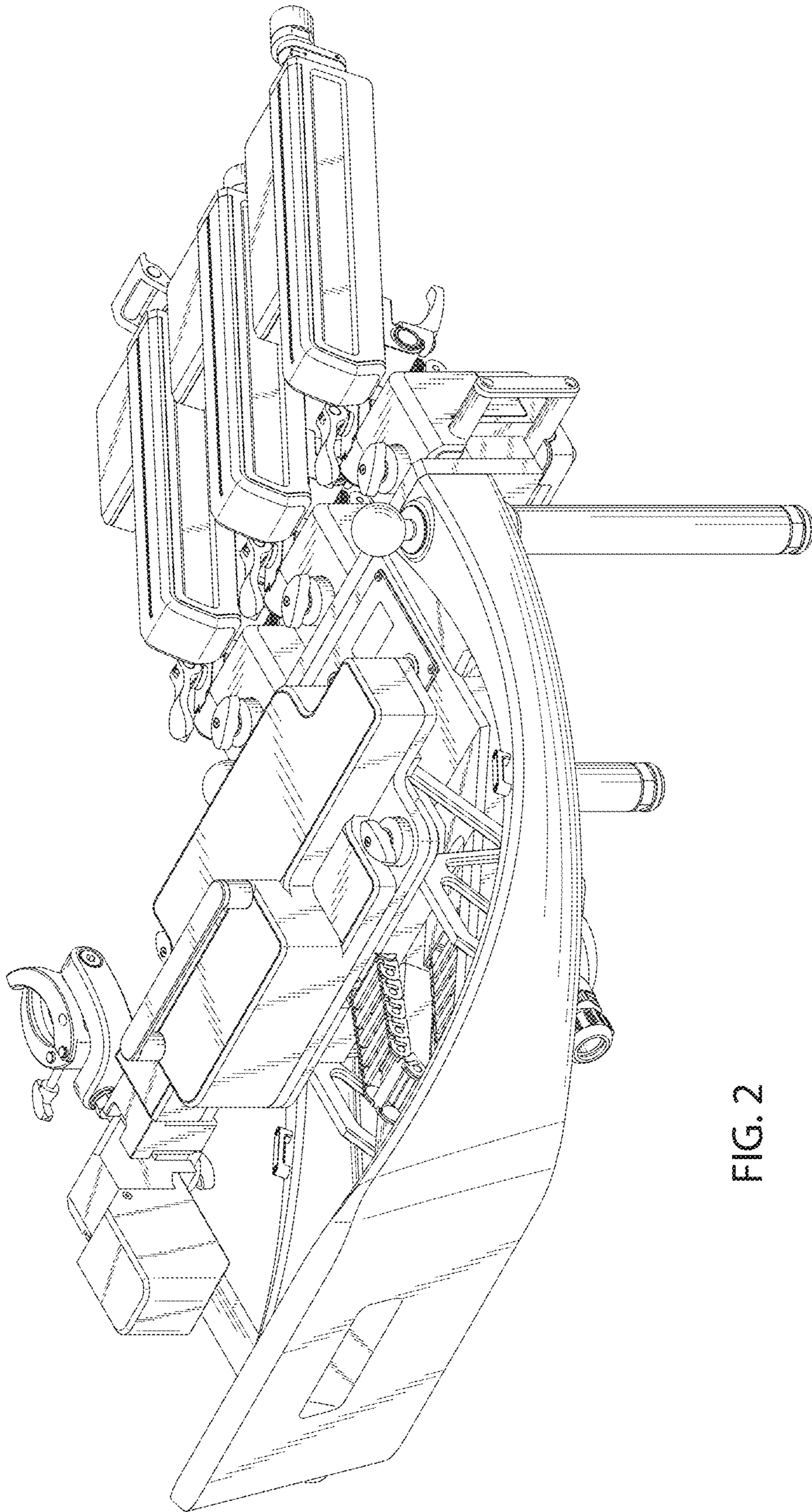


FIG. 2

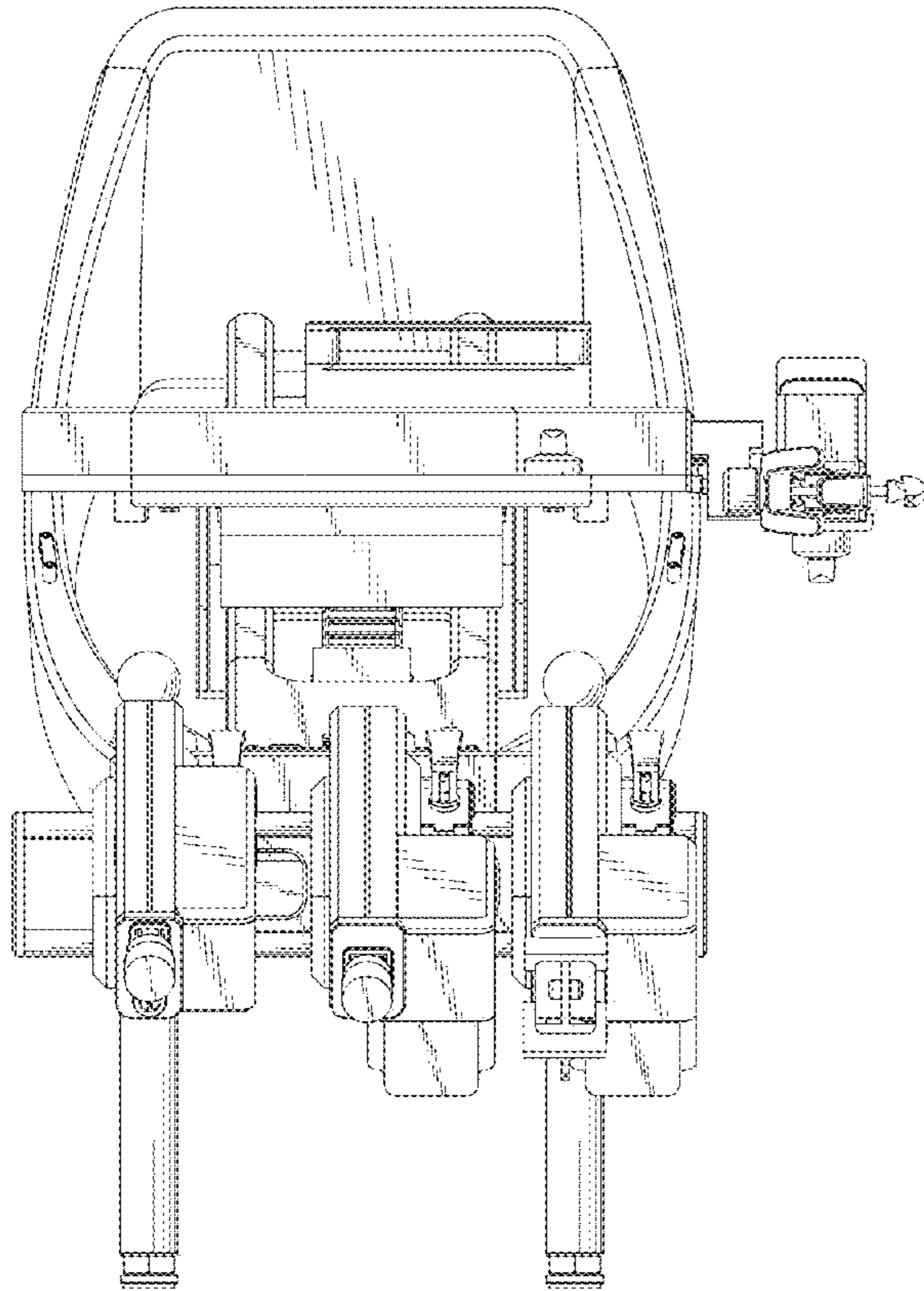


FIG. 3

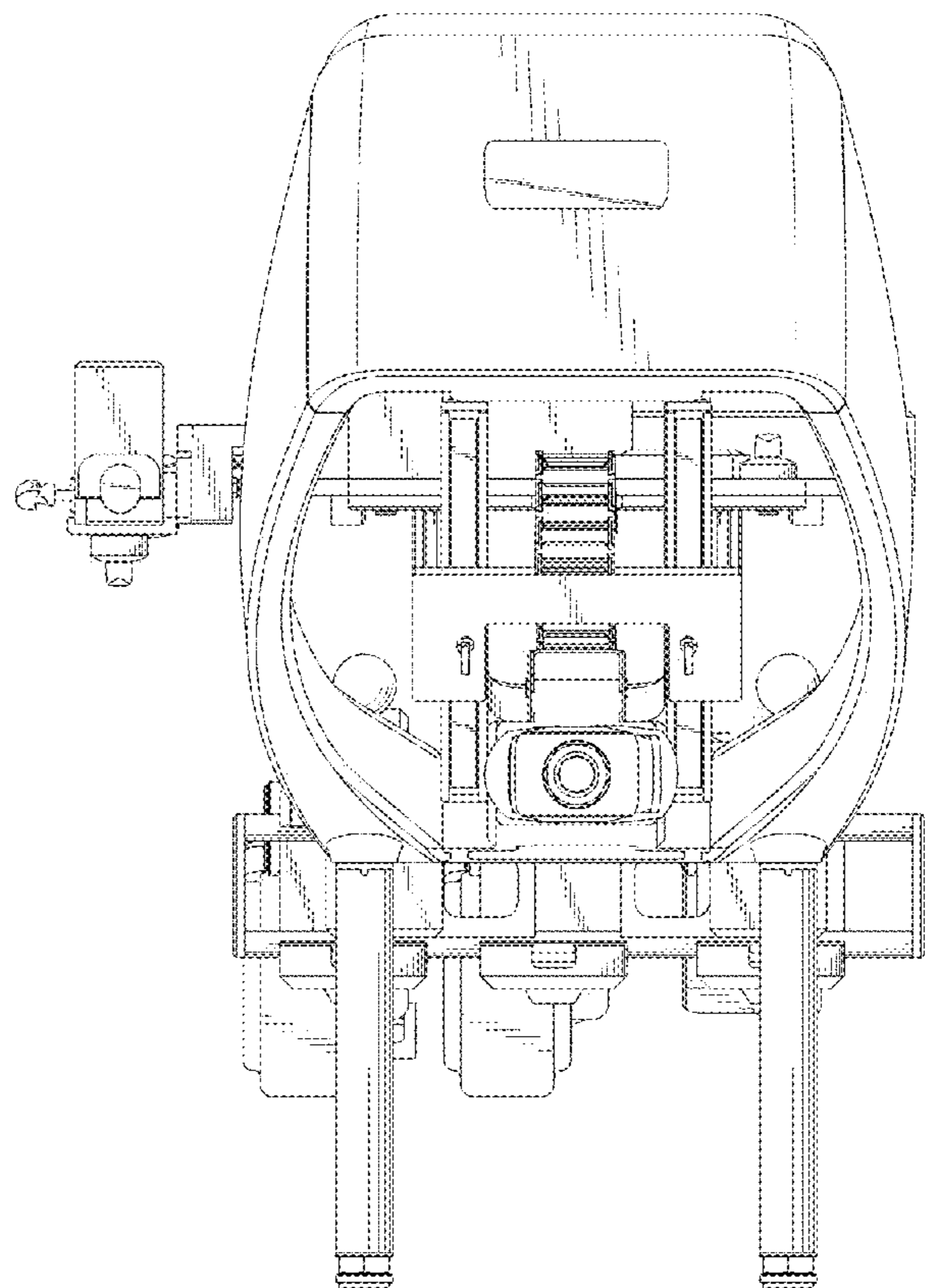


FIG. 4

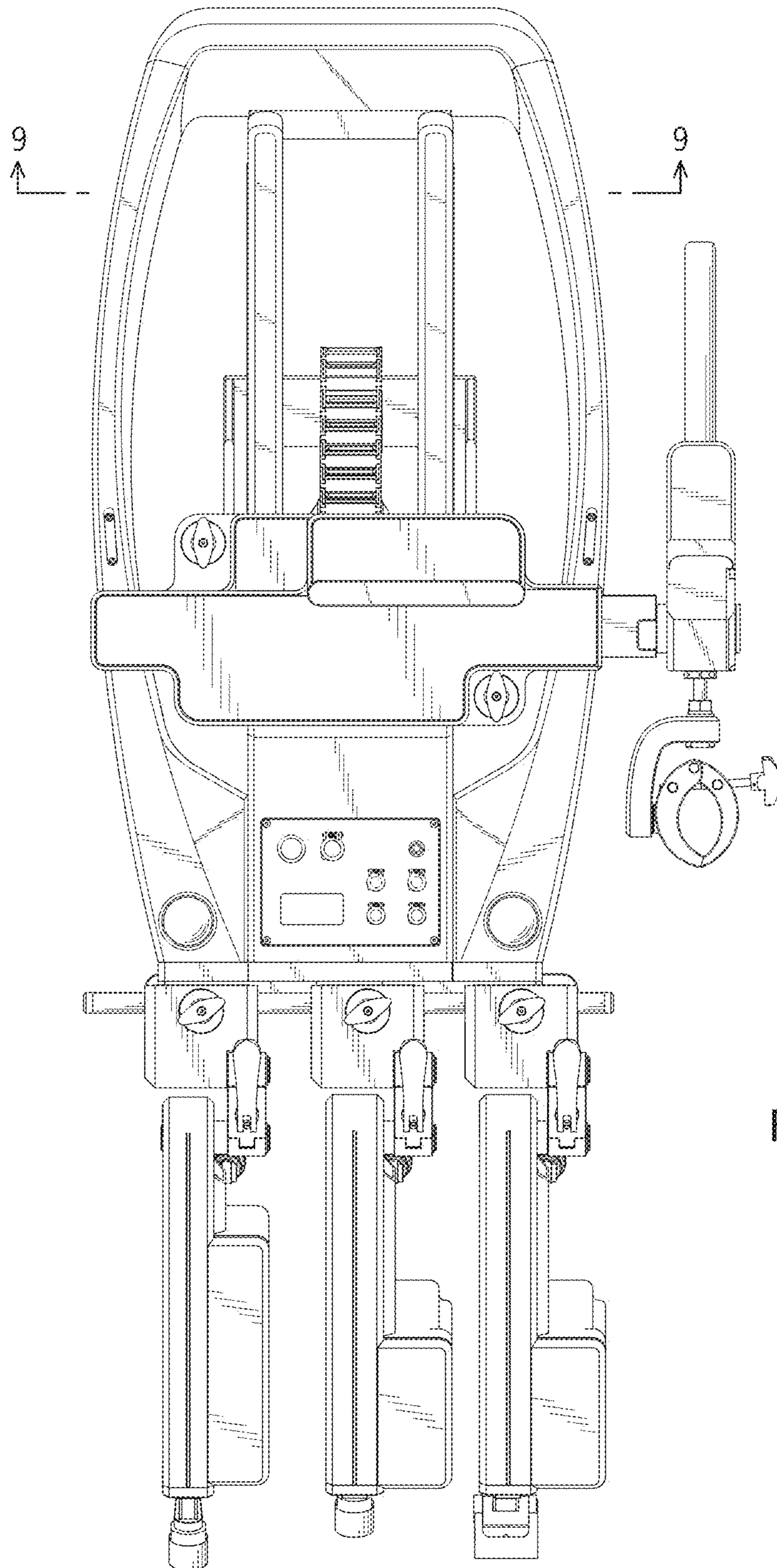


FIG. 5

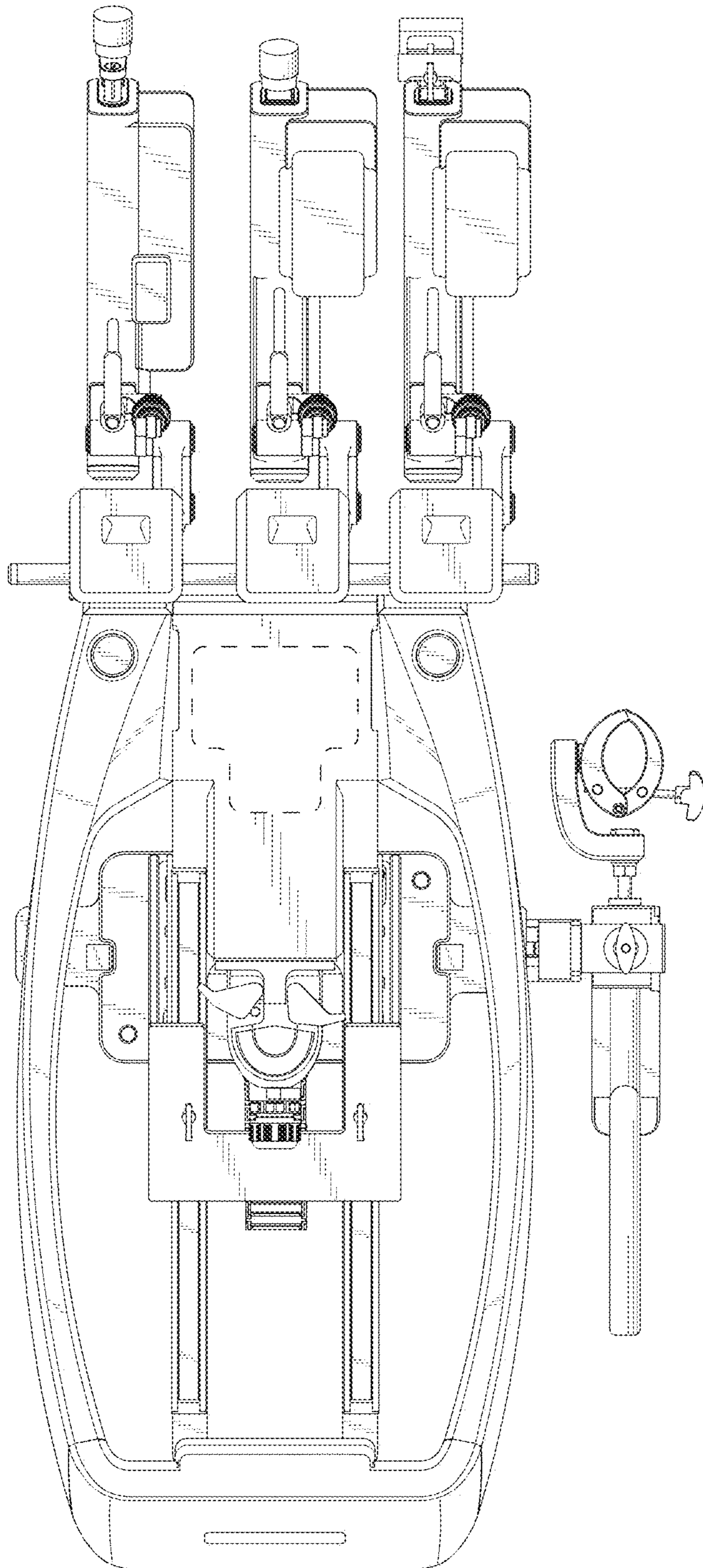


FIG. 6

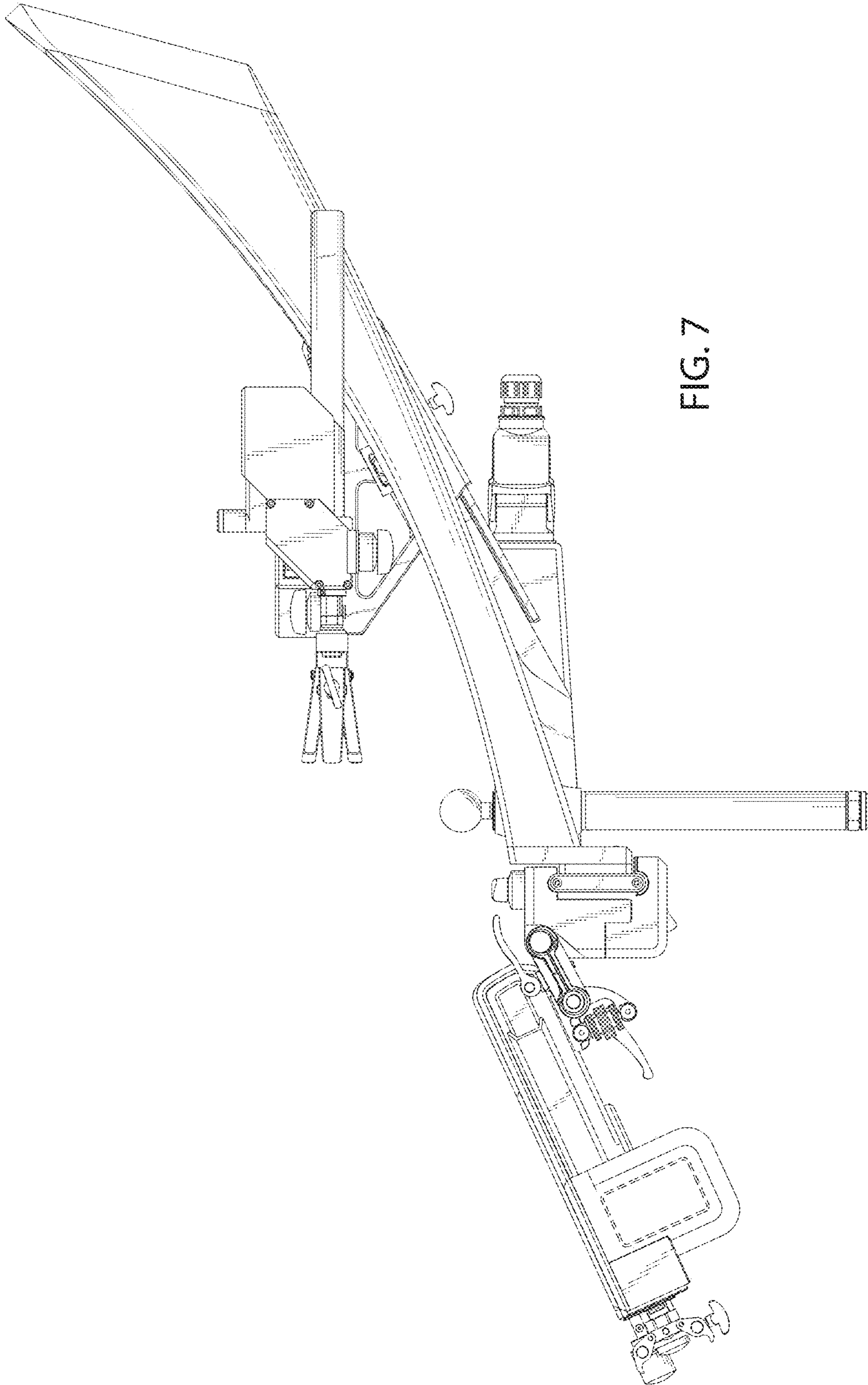


FIG. 7

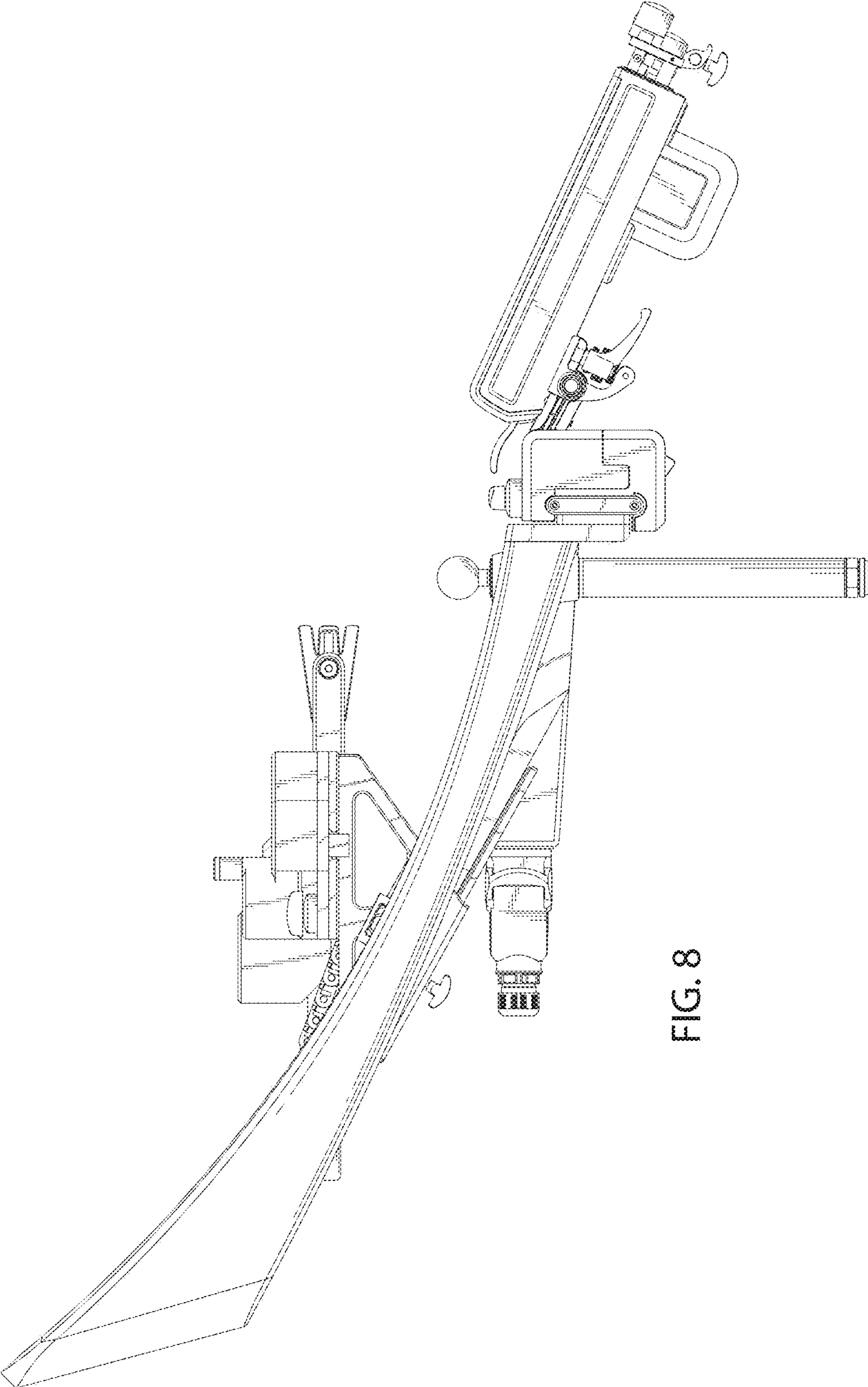


FIG. 8

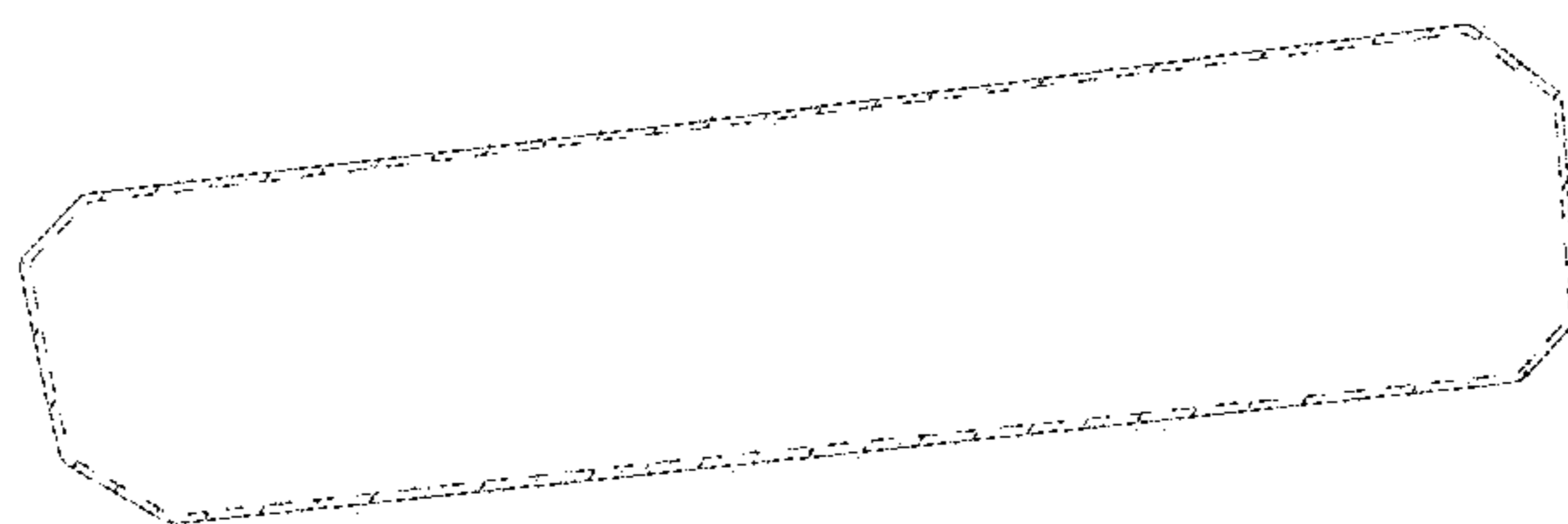
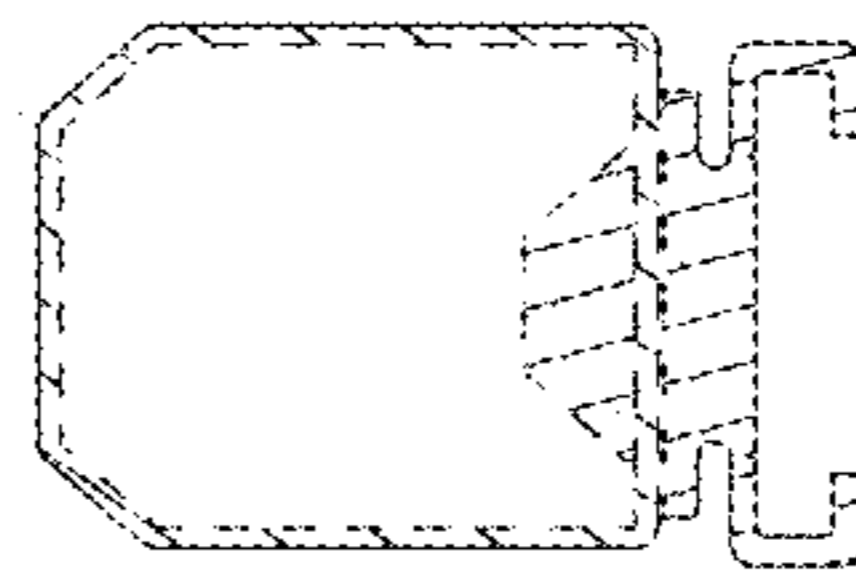
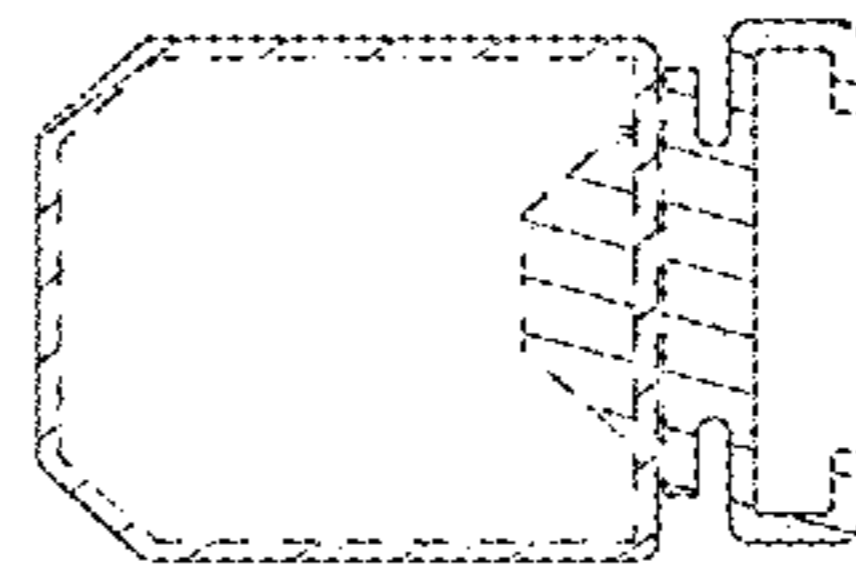
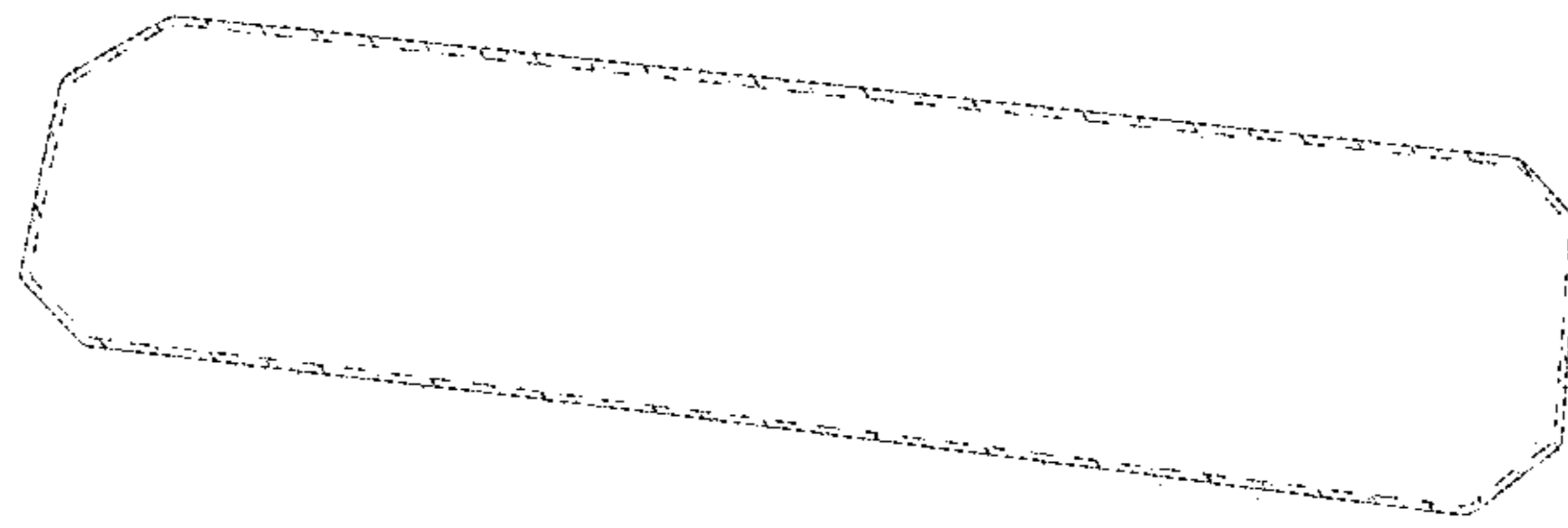


FIG. 9