



US00D975151S

(12) **United States Design Patent** (10) **Patent No.:** **US D975,151 S**  
**Akey et al.** (45) **Date of Patent:** **\*\* Jan. 10, 2023**

- |  |  |
|--|--|
| (54) <b>COLLABORATIVE ROBOT WELDING SYSTEM</b>   | 4,639,574 A * 1/1987 Arnoldt ..... B23K 37/0217<br>219/137 R   |
| (71) Applicant: <b>Vectis Automation, LLC</b> , Fort Collins, CO (US)  | 6,772,932 B1 * 8/2004 Halstead ..... B23K 37/0235<br>901/42  |
| (72) Inventors: <b>Andrew Steven Akey</b> , Windsor, CO (US); <b>Joshua Andrew Pawley</b> , Fort Collins, CO (US); <b>Douglas Phillip Rhoda</b> , Fort Collins, CO (US); <b>Aaron Lee Bailey</b> , Fort Collins, CO (US) | D602,057 S * 10/2009 Osicki ..... D15/144<br>D631,074 S * 1/2011 Peters ..... D15/144<br>D822,083 S * 7/2018 De Padova ..... B23K 9/173<br>D15/199   |
| (73) Assignee: <b>Vectis Automation, LLC</b> , Loveland, CO (US)   | 2002/0079300 A1 * 6/2002 Baum ..... B23K 9/328<br>219/137.43<br>2006/0108342 A1 * 5/2006 Samodell ..... B23K 9/323<br>219/125.1<br>2007/0235433 A1 * 10/2007 Osicki ..... B23K 37/0461<br>219/125.1<br>2013/0119039 A1 * 5/2013 Osicki ..... B25J 21/00<br>219/136 |

(\*\*) Term: **15 Years**

(21) Appl. No.: **29/739,621**

(22) Filed: **Jun. 27, 2020**

(51) **LOC (14) Cl.** ..... **15-09**

(52) **U.S. Cl.**  
USPC ..... **D15/144**; D15/199; D15/122

(58) **Field of Classification Search**  
USPC ..... D8/30; D15/122, 144.1, 144.2, 199  
CPC .... B23K 9/173; B23K 9/287; B23K 37/0443;  
B23K 37/0235; B23K 37/047  
See application file for complete search history.

(56) **References Cited**

**U.S. PATENT DOCUMENTS**

- |               |        |          |       |                       |
|---------------|--------|----------|-------|-----------------------|
| 3,578,934 A * | 5/1971 | Beauvais | ..... | B23K 11/008<br>219/56 |
| D275,292 S *  | 8/1984 | Bouman   | ..... | D15/144               |
| D275,293 S *  | 8/1984 | Bouman   | ..... | D15/144               |
| D280,329 S *  | 8/1985 | Bouman   | ..... | D15/144               |

\* cited by examiner

*Primary Examiner* — Patricia A Palasik

(74) *Attorney, Agent, or Firm* — Glenn H. Lenzen; Elevated IP, LLC

(57) **CLAIM**

The ornamental design for a collaborative robot welding system, as shown and described.

**DESCRIPTION**

FIG. 1 is a front perspective view of the collaborative robot welding system;  
 FIG. 2 is a rear perspective view thereof;  
 FIG. 3 is a front view thereof;  
 FIG. 4 is a rear view thereof;  
 FIG. 5 is a right side view thereof;  
 FIG. 6 is a left side view thereof;  
 FIG. 7 is a top view thereof; and,  
 FIG. 8 is a bottom view thereof.

**1 Claim, 8 Drawing Sheets**

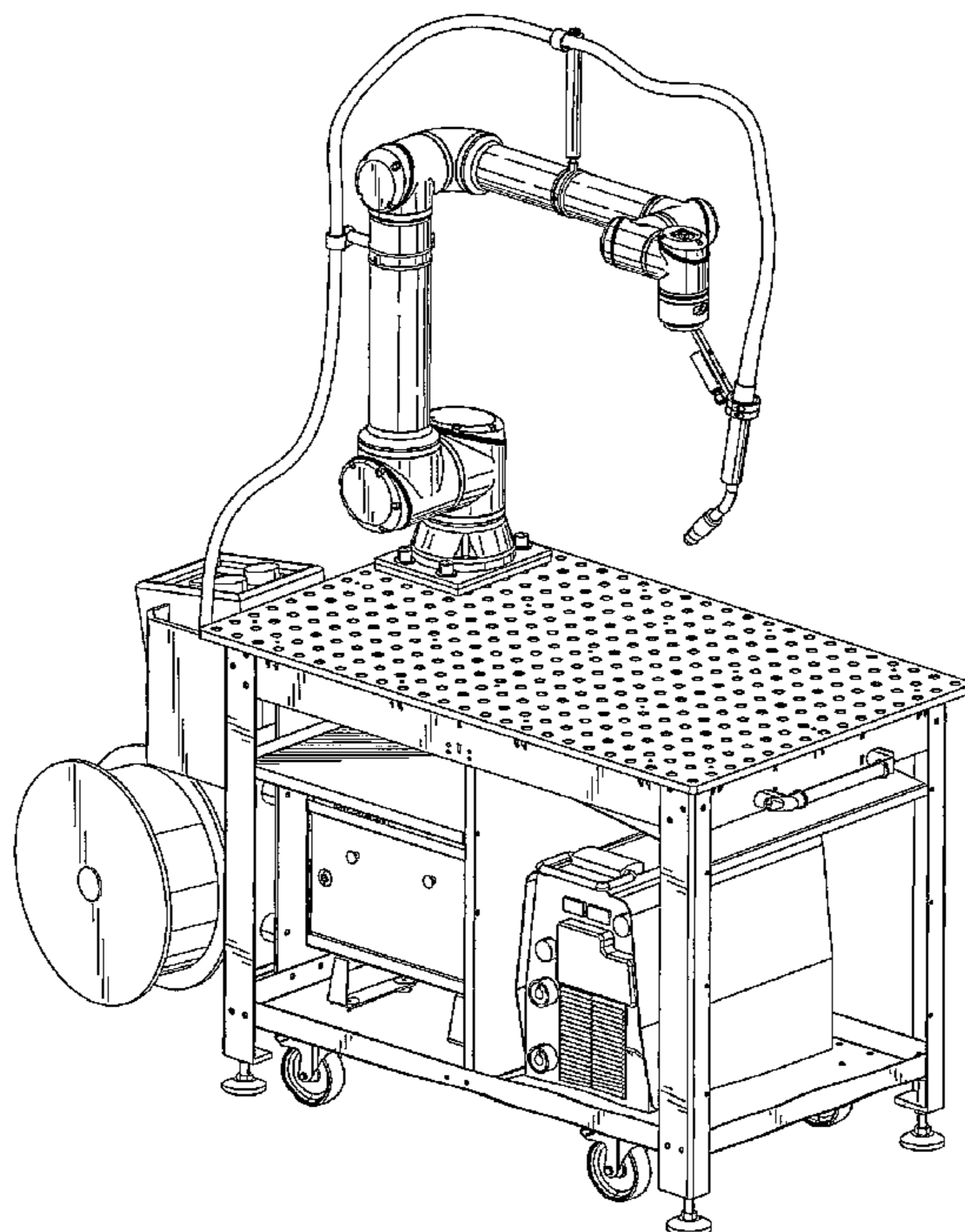


FIG. 1

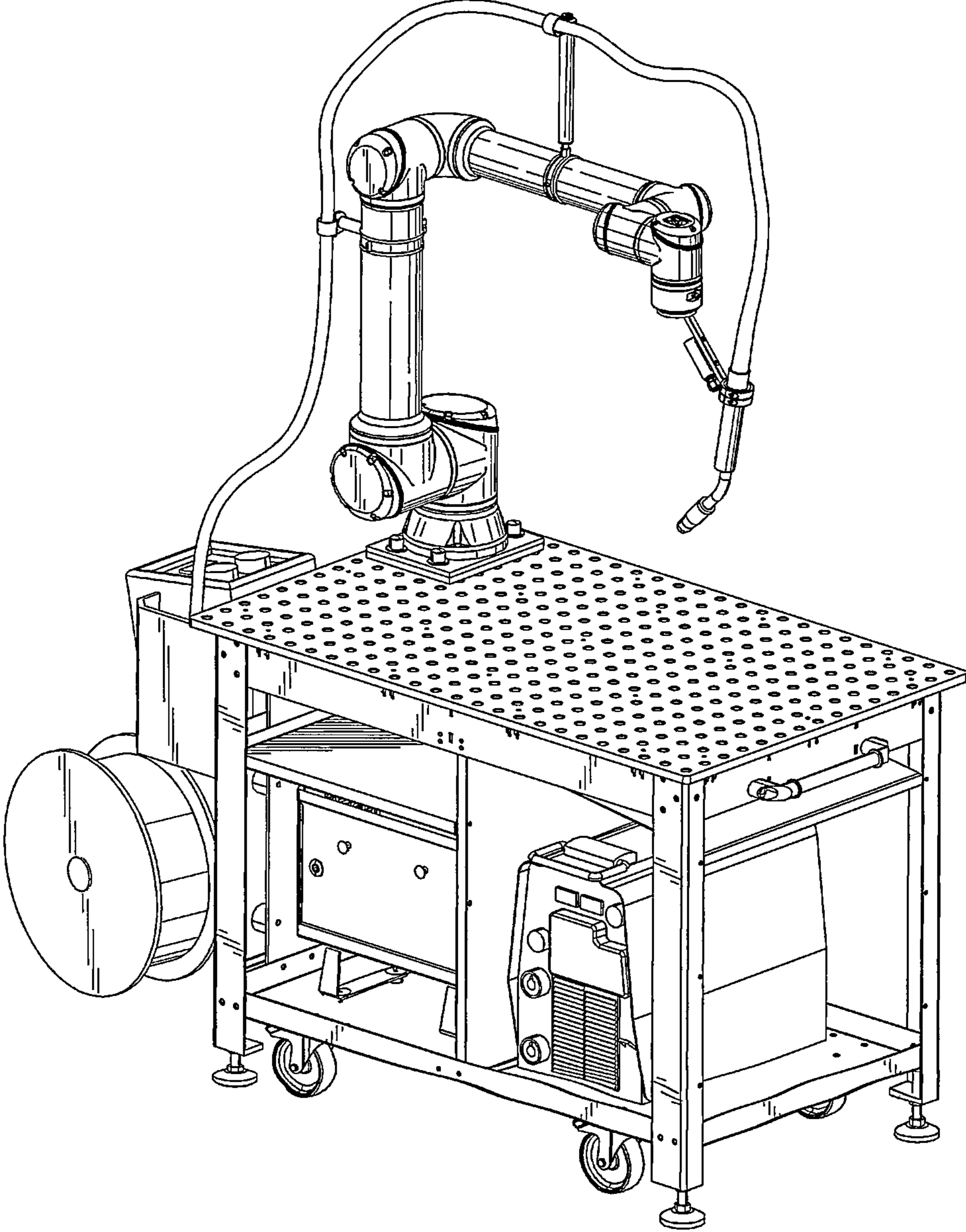


FIG. 2

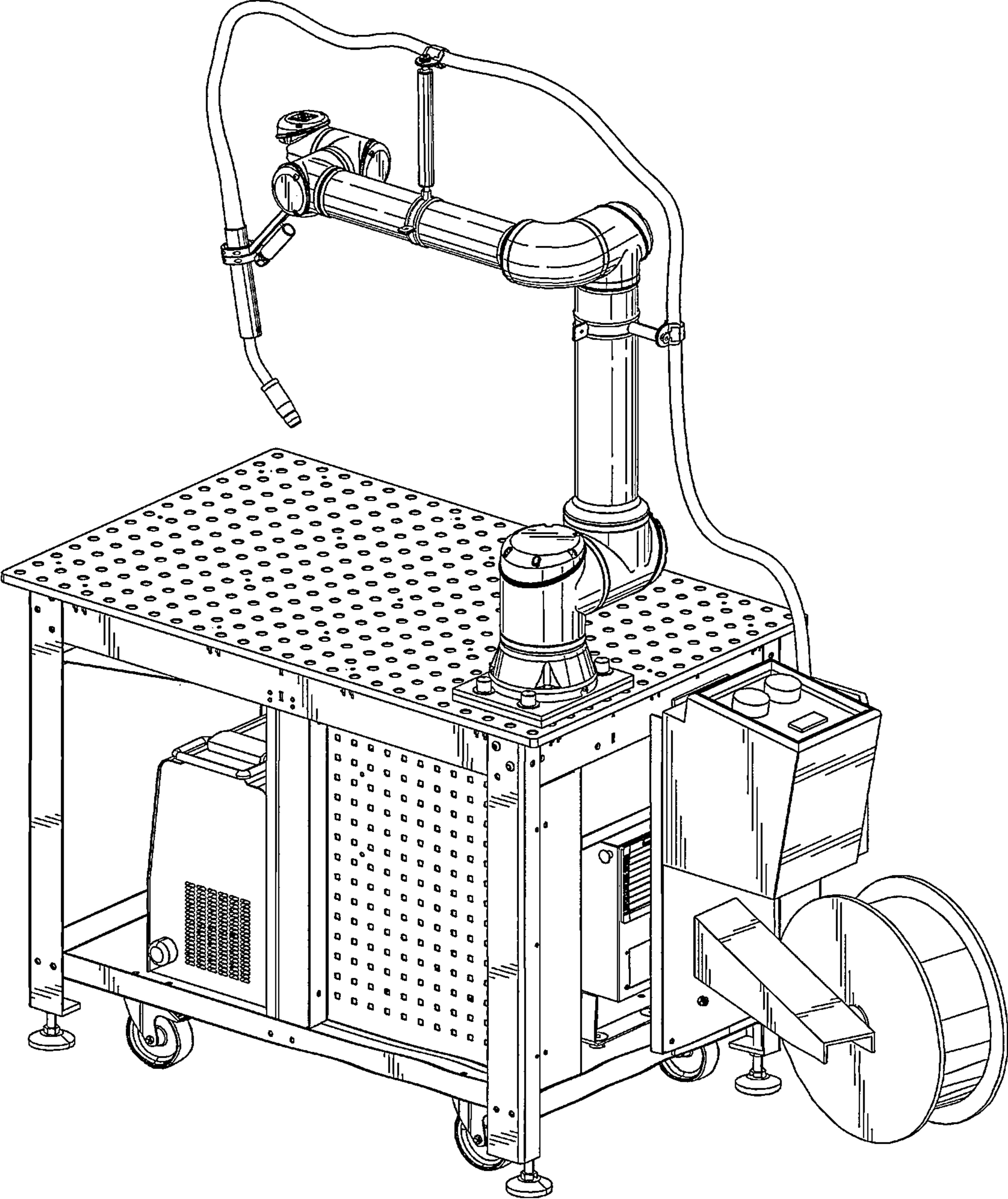


FIG. 3

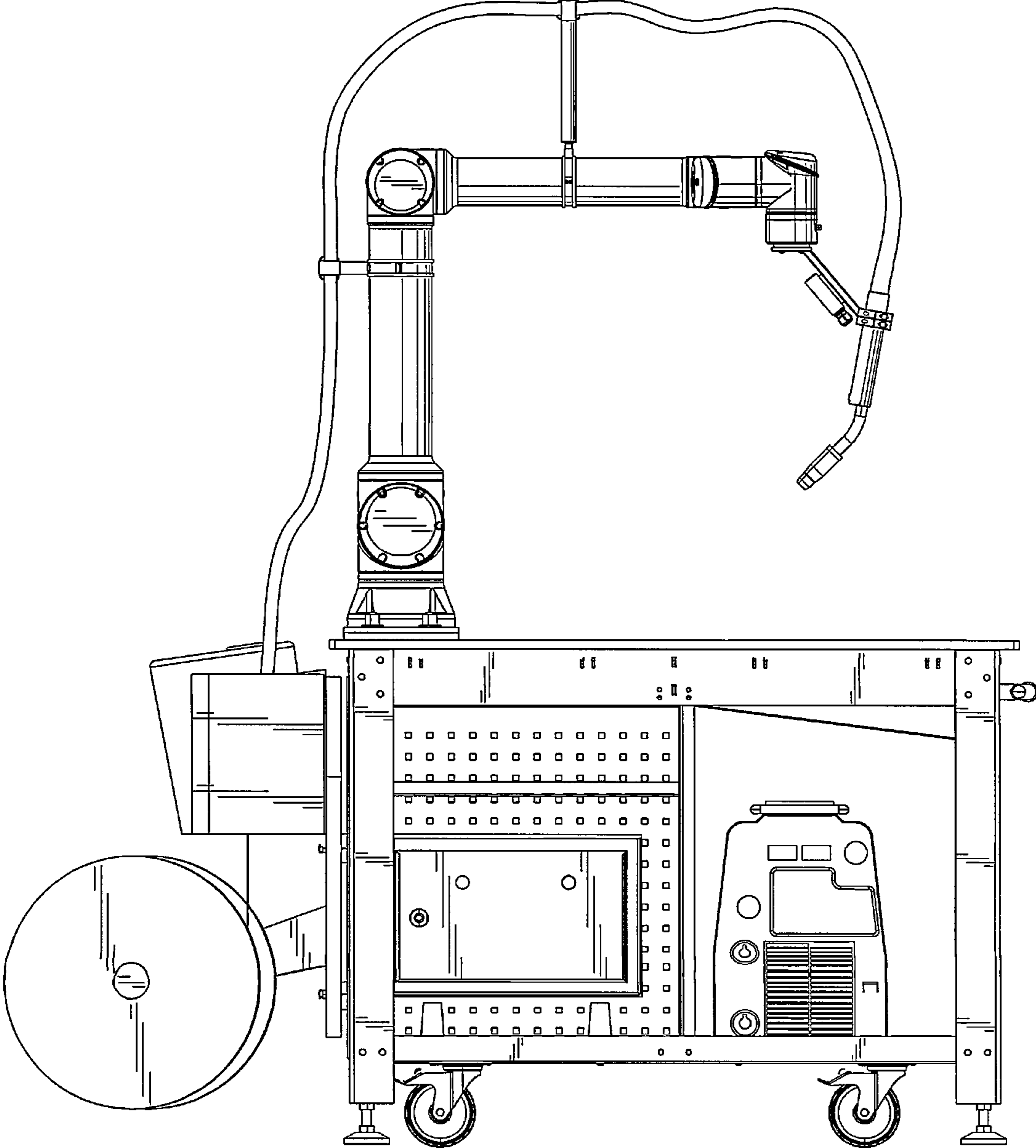


FIG. 4

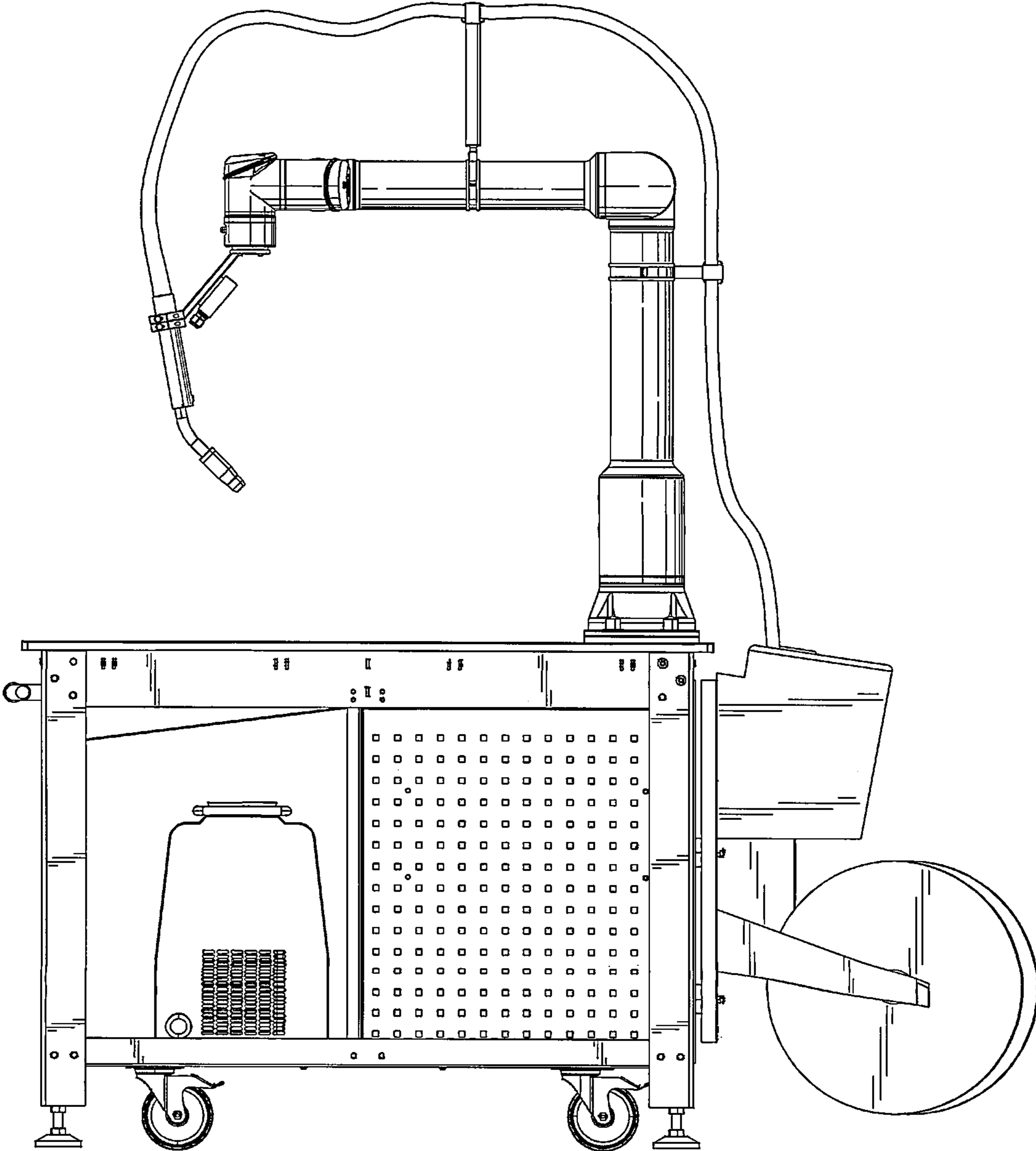


FIG. 5

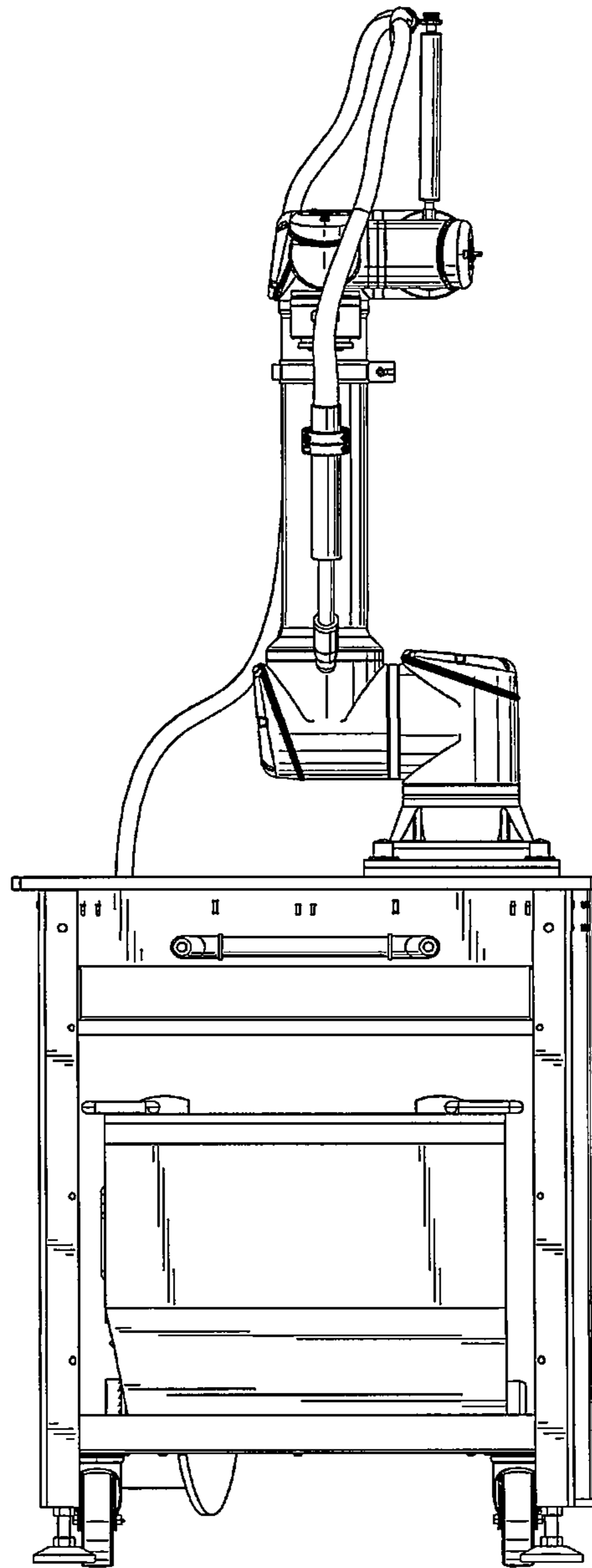


FIG. 6

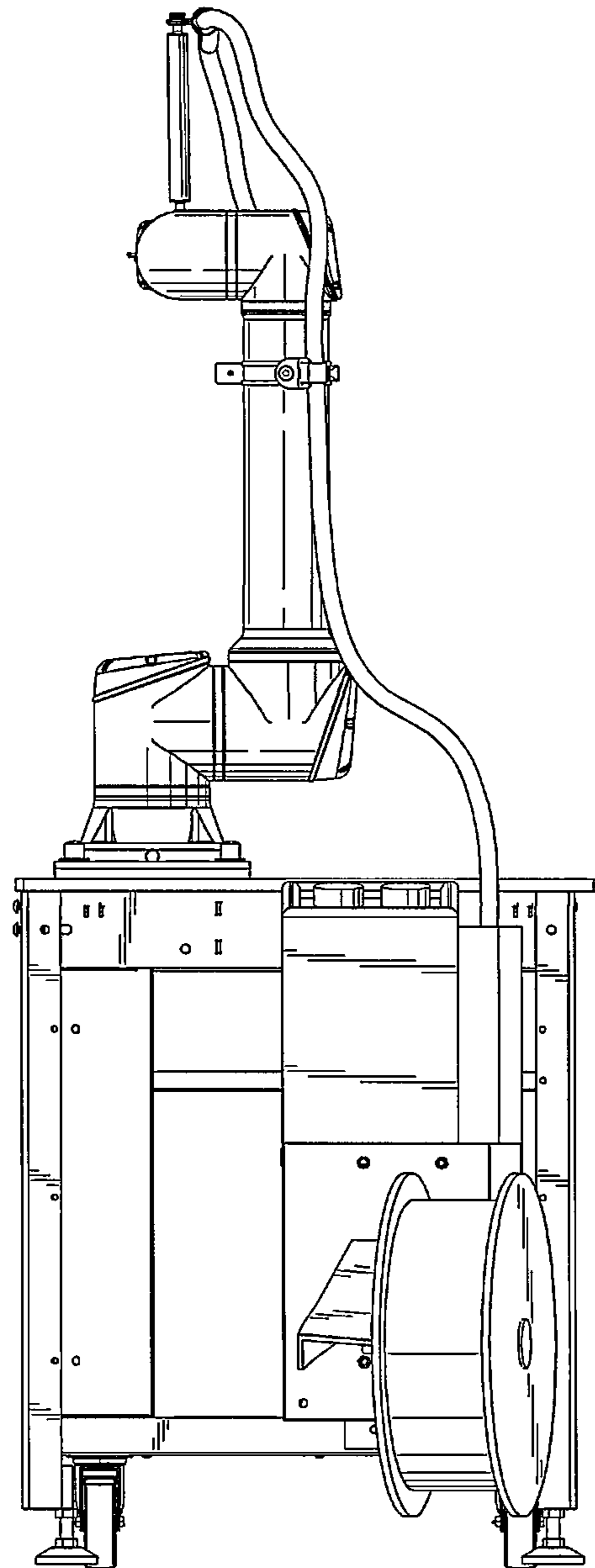


FIG. 7

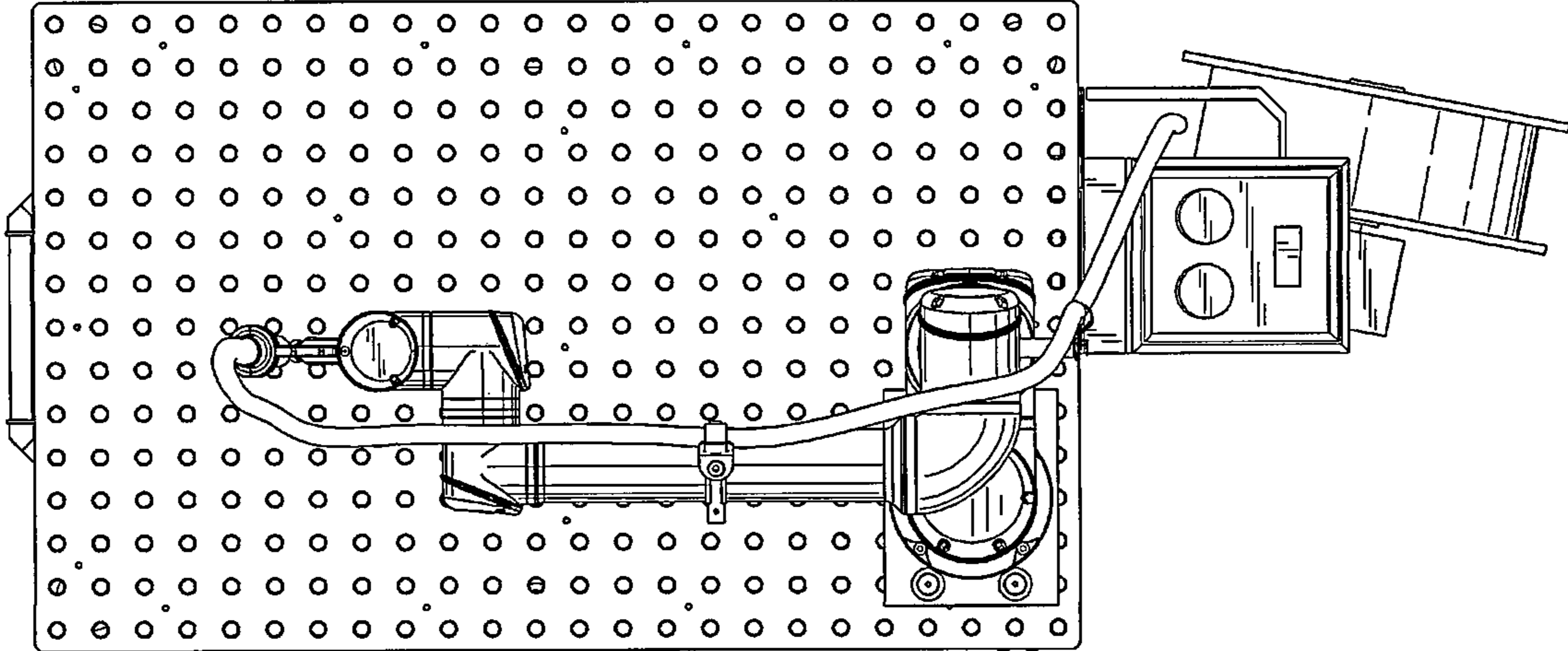




FIG. 8

