



US00D975150S

(12) **United States Design Patent** (10) **Patent No.:** **US D975,150 S**
Hehl et al. (45) **Date of Patent:** **** Jan. 10, 2023**

(54) **INJECTION MOLDING MACHINE**

(56) **References Cited**

(71) Applicant: **ARBURG GMBH + CO KG**, Loßburg (DE)

U.S. PATENT DOCUMENTS

(72) Inventors: **Juliane Hehl**, Lossburg (DE); **Jürgen Reiner Schmid**, Ammerbuch (DE)

D202,924	S	*	11/1965	Jacobs	D15/135
D550,257	S	*	9/2007	Schad	D15/135
D550,258	S	*	9/2007	Schad	D15/135
D617,356	S	*	6/2010	Wang	D15/135
D661,714	S	*	6/2012	Waterhouse	D15/135
D703,709	S	*	4/2014	Tix	D15/135
D703,710	S	*	4/2014	Tix	D15/135
D704,236	S	*	5/2014	Tix	D15/135
D765,745	S	*	9/2016	Cheung	D15/122
D768,216	S	*	10/2016	Funakoshi	D15/135
D768,741	S	*	10/2016	Funakoshi	D15/135
D803,909	S	*	11/2017	Sakaguchi	D15/135
D819,095	S	*	5/2018	Sakaguchi	D15/135
D880,546	S	*	4/2020	Hehl	D15/135

(73) Assignee: **ARBURG GMBH + CO KG**, Lossburg (DE)

(**) Term: **15 Years**

(21) Appl. No.: **29/715,032**

(22) Filed: **Nov. 27, 2019**

* cited by examiner

Related U.S. Application Data

(62) Division of application No. 29/601,068, filed on Apr. 18, 2017, now Pat. No. Des. 880,546.

Primary Examiner — Khawaja Anwar

(74) *Attorney, Agent, or Firm* — Cantor Colburn LLP

(30) **Foreign Application Priority Data**

Oct. 18, 2016 (DE) 40 2016 101 284.4

(51) **LOC (14) Cl.** **15-03**

(52) **U.S. Cl.**
USPC **D15/135**

(58) **Field of Classification Search**

USPC D15/122, 135, 136, 137, 138, 141, 142, D15/199; D12/1, 2, 8; D8/313; D7/339-341, 348-349, 402-404
CPC B29C 45/0001; B29C 2043/3427; B29C 45/006; B29C 2045/0006; B29C 2045/0043; B29C 2045/0049; B29C 2045/14803; B29C 2945/76444; B29C 43/24; B29C 45/0005; B29C 45/0025; B29C 2043/3494; B29C 45/14311; B29C 45/14778; B29C 45/14811; B29C 45/14819; B29C 45/1657; B29C 45/1671; B29C 45/1761; B29C 45/2708; B29C 45/40; B29C 45/401; B29C 45/42; B29C 45/84; B29C 47/0004; B29C 47/0021

See application file for complete search history.

(57) **CLAIM**

We claim, the ornamental design for an injection molding machine, as shown and described.

DESCRIPTION

FIG. 1 is a perspective view of an injection molding machine, showing our new design;
FIG. 2 is another perspective view thereof;
FIG. 3 is another perspective view thereof;
FIG. 4 is a side view thereof, the opposite side being a mirror image thereof;
FIG. 5 is a front view thereof;
FIG. 6 is a top view thereof; and,
FIG. 7 is a rear thereof.
Portions shown in broken lines form no part of the claimed design.

1 Claim, 7 Drawing Sheets

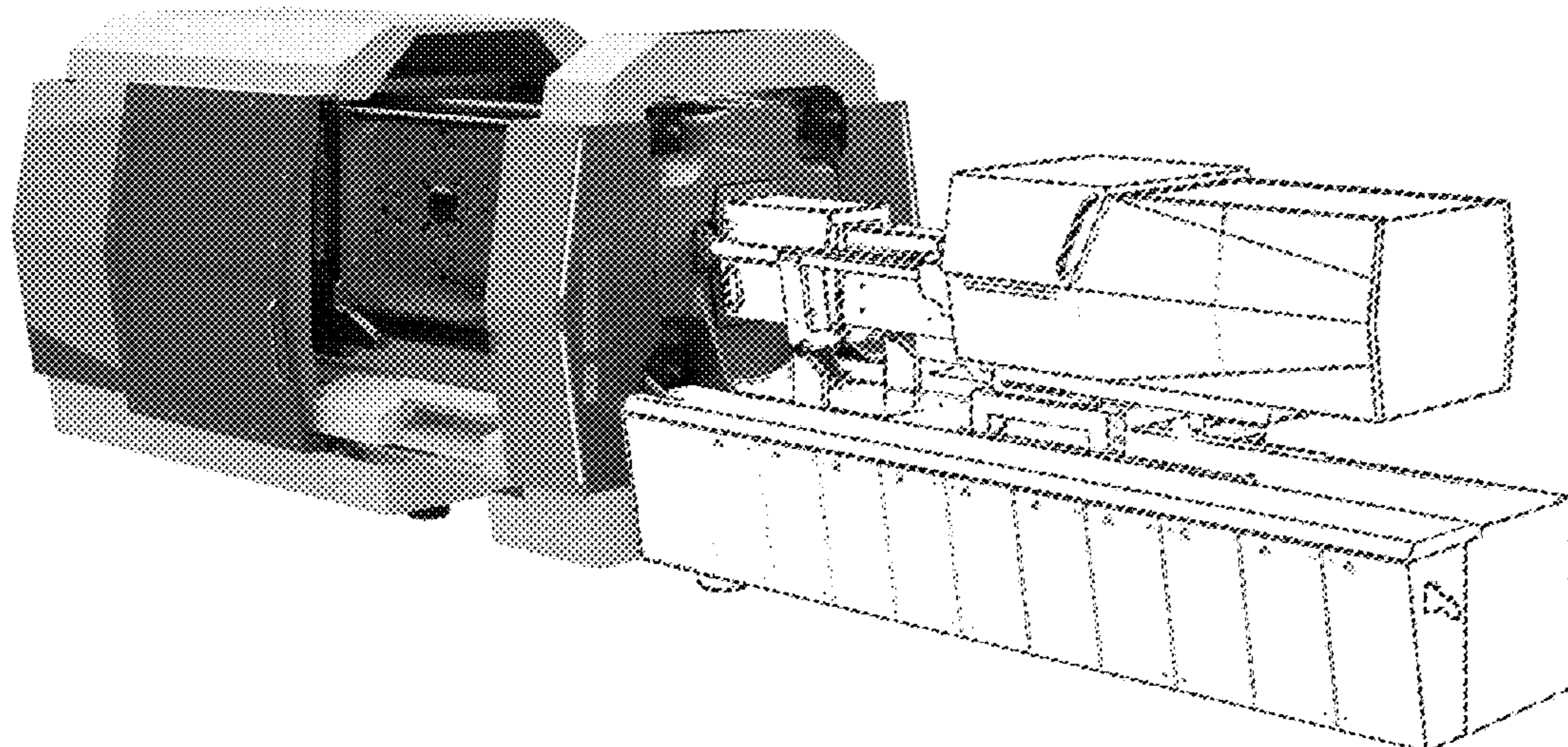


FIG. 1

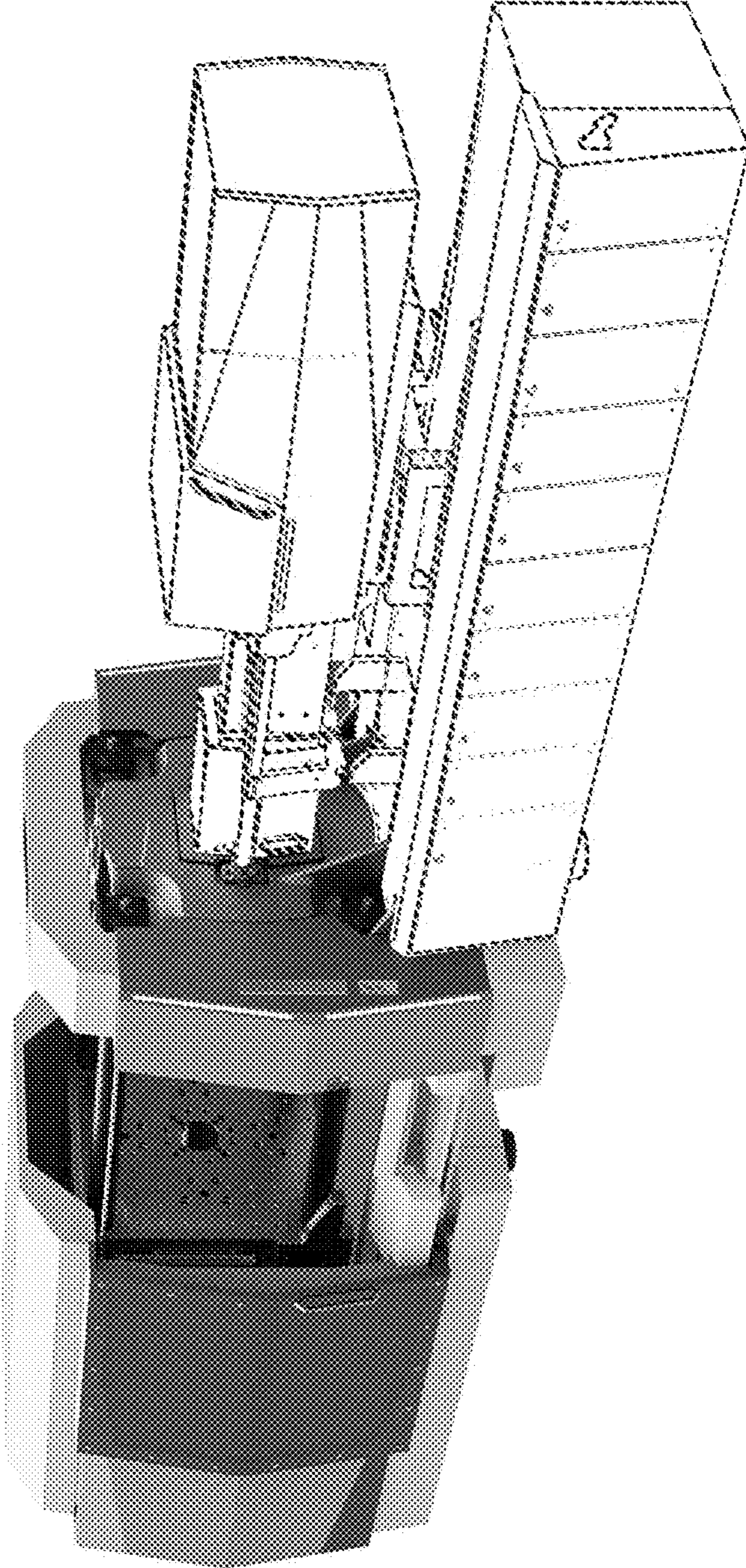


FIG. 2

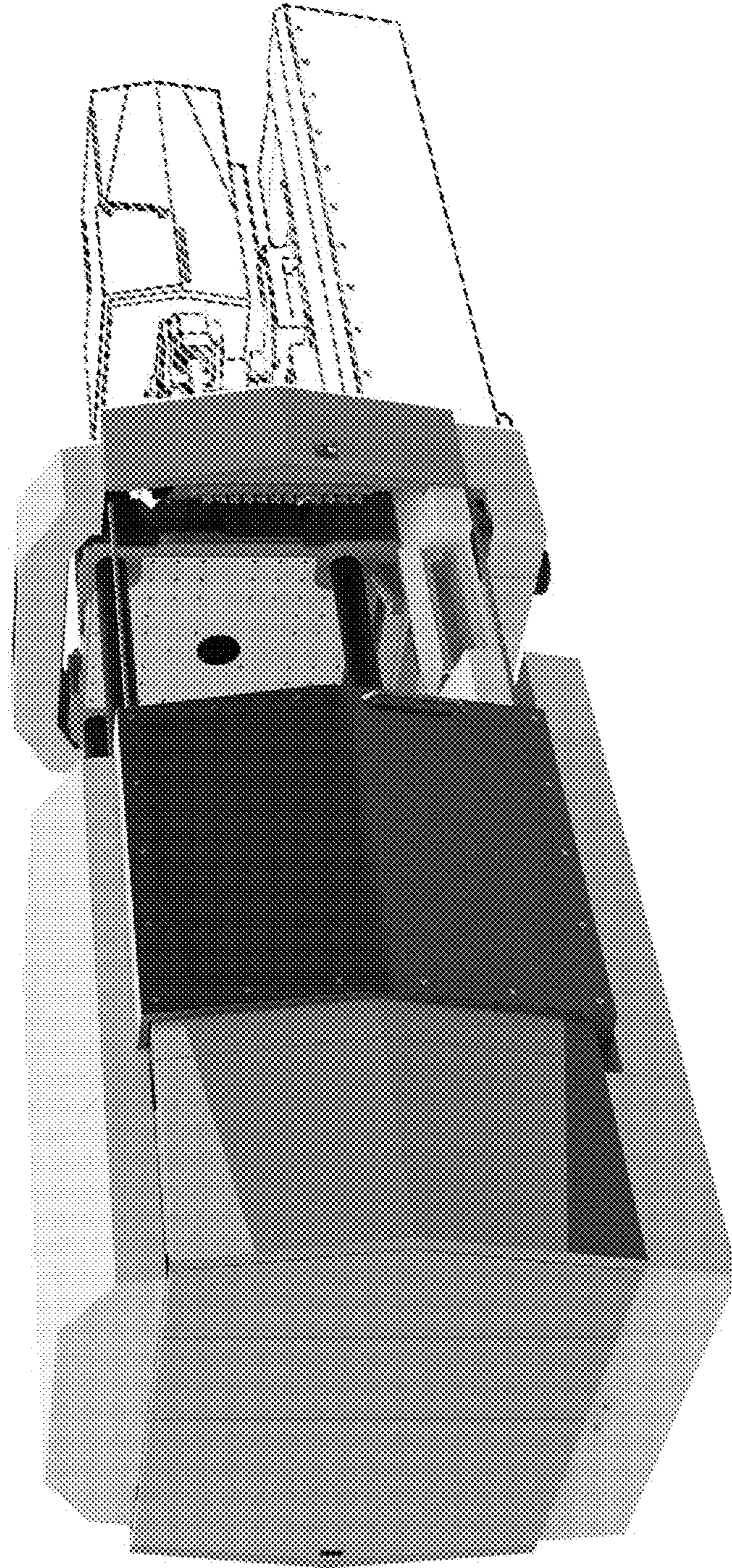


FIG. 3

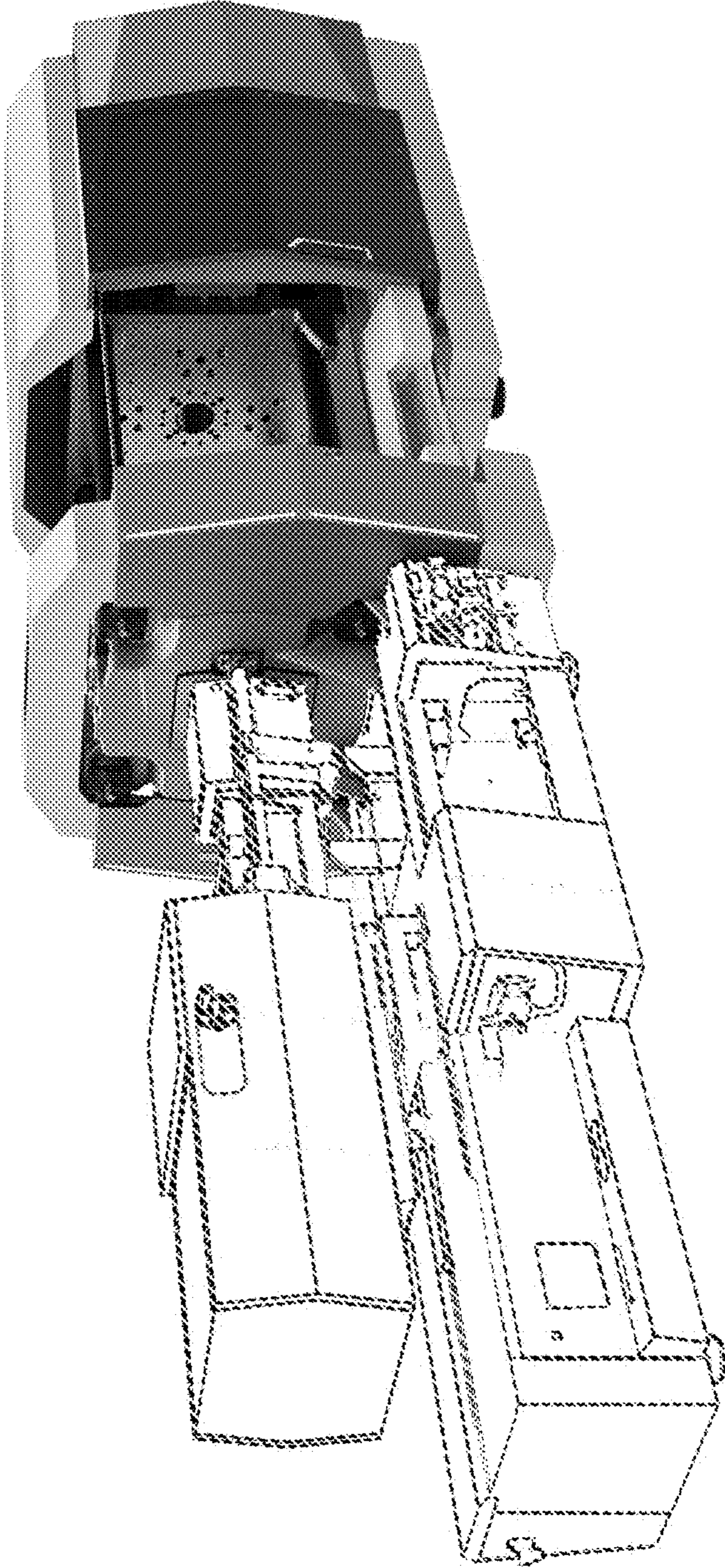


FIG. 4

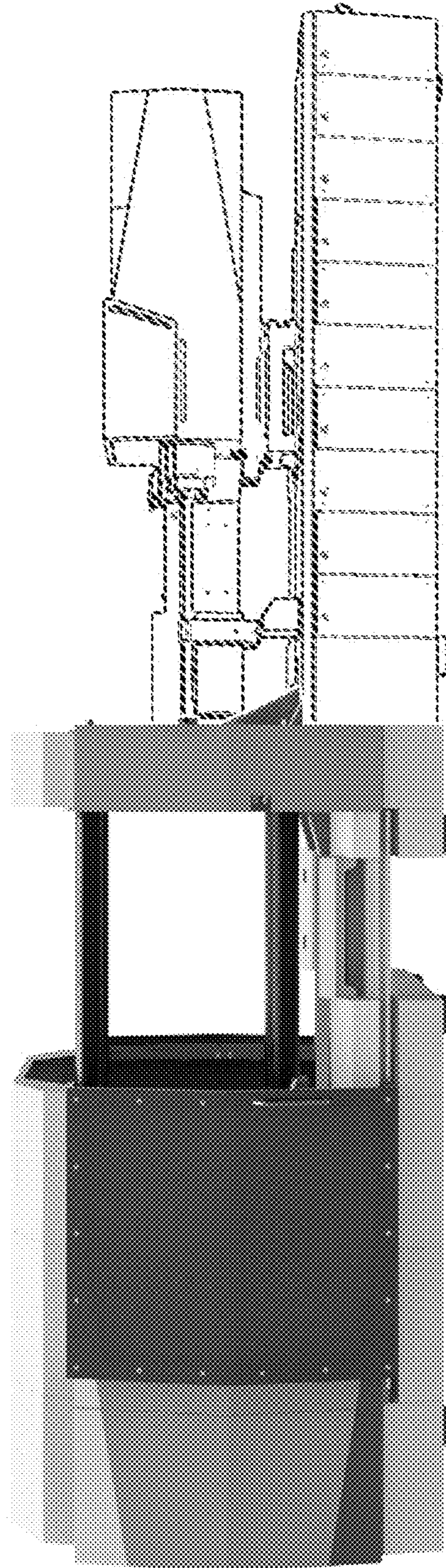


FIG. 5

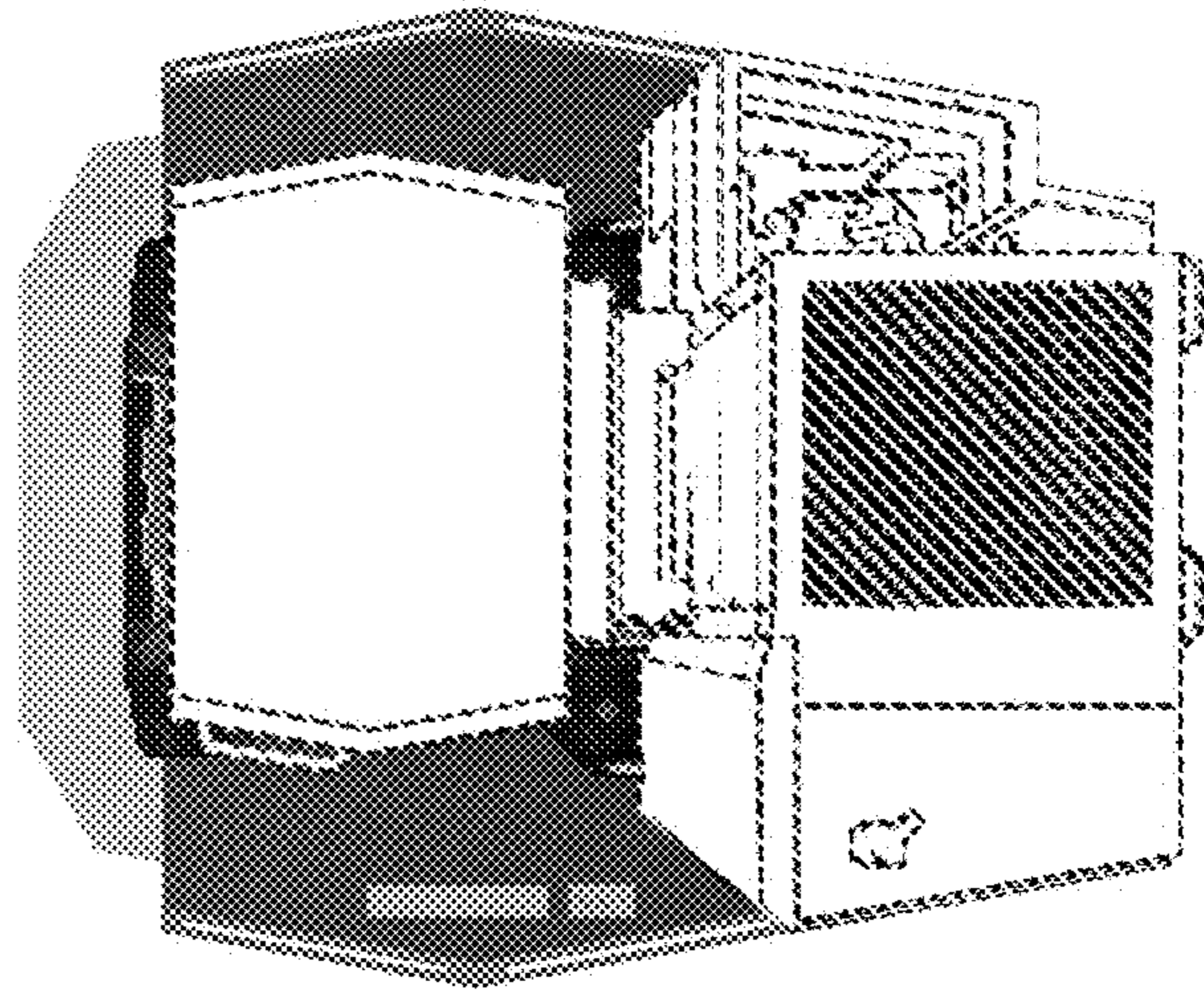


FIG. 6

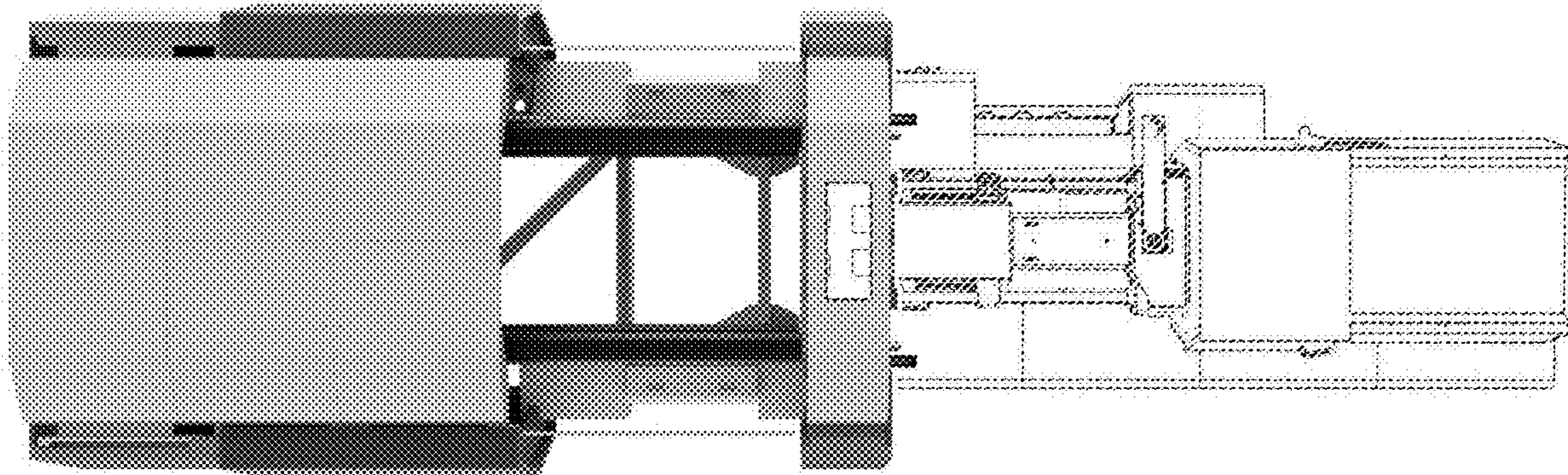


FIG. 7

