



US00D975147S

(12) **United States Design Patent** (10) **Patent No.:** **US D975,147 S**
Zhao (45) **Date of Patent:** **** Jan. 10, 2023**

(54) **ROCK TUMBLER**

(71) Applicant: **Yuan Zhao**, Gongyi (CN)

(72) Inventor: **Yuan Zhao**, Gongyi (CN)

(**) Term: **15 Years**

(21) Appl. No.: **29/818,439**

(22) Filed: **Dec. 8, 2021**

(51) **LOC (14) Cl.** **15-09**

(52) **U.S. Cl.**

USPC **D15/124**

(58) **Field of Classification Search**

USPC D15/122–125

CPC B07B 1/46; B07B 1/28; B07B 1/36; B07B

1/48; B07B 2201/04; B07B 2230/01;

B24B 31/00; B24B 31/02; B02C 17/02;

B02C 17/20; B02C 23/16

See application file for complete search history.

(56) **References Cited**

U.S. PATENT DOCUMENTS

105,711 A *	7/1870	Miller	B24B 31/02 451/328
268,180 A *	11/1882	Butterfield	B24B 31/02 451/328
295,867 A *	3/1884	Griffin	B24B 31/02 285/190
1,508,345 A *	9/1924	Lupo, Jr.	B24B 31/02 451/328
1,946,440 A *	2/1934	Herrmann	B24B 31/02 366/228
2,939,455 A *	6/1960	Arnold	A61H 15/0078 601/127
3,380,670 A *	4/1968	Beudin	B02C 17/18 241/170

(Continued)

FOREIGN PATENT DOCUMENTS

CN	304073644	*	3/2017
CN	304073646	*	3/2017

OTHER PUBLICATIONS

National Geographic, Hobby Rock Tumbler Kit, (first available Nov. 1, 2018), Amazon.com, URL:<<https://www.amazon.com/dp/B07G9MWHGJ>> (Year: 2018).*

(Continued)

Primary Examiner — Calvin E Vansant

Assistant Examiner — Mark T. Philipps

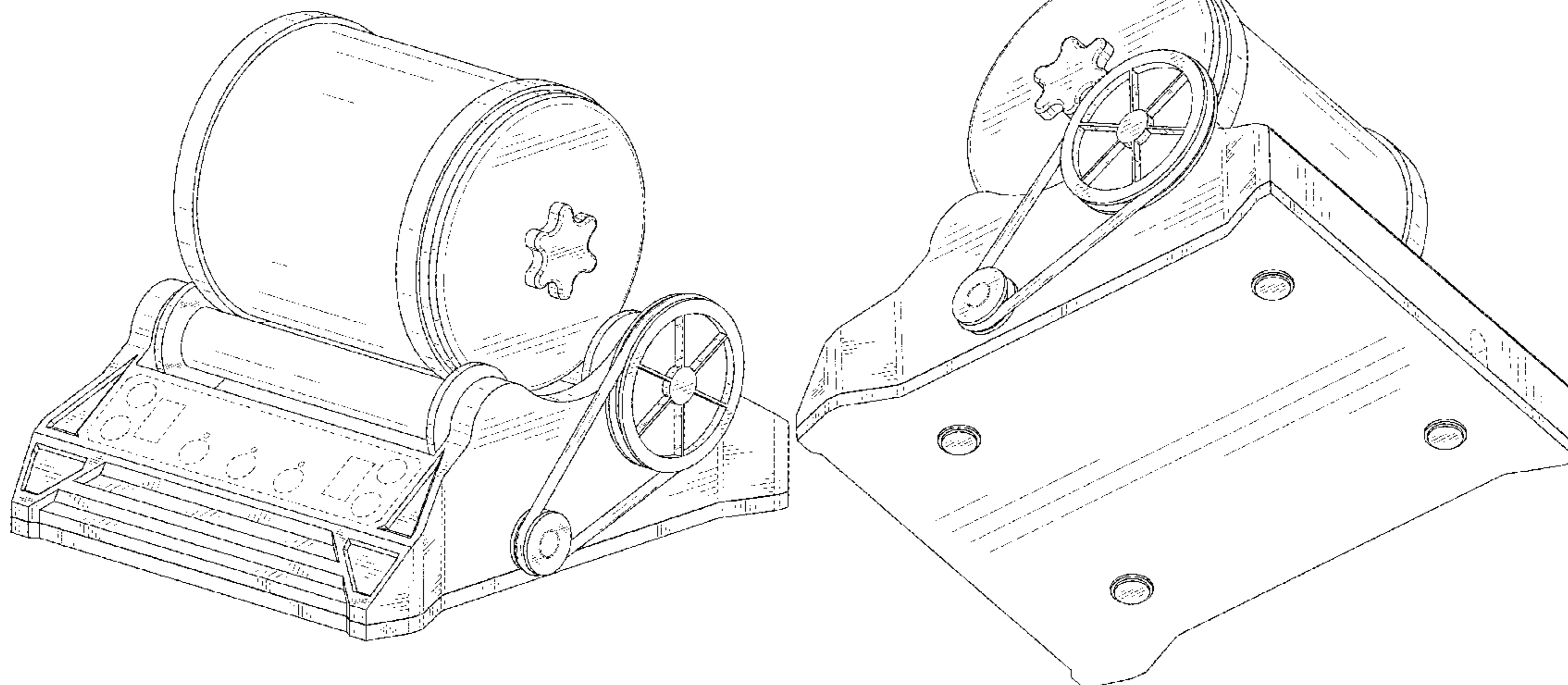
(57) **CLAIM**

The ornamental design for a rock tumbler, as shown and described.

DESCRIPTION

FIG. 1 is a perspective view of a rock tumbler showing my new design;
 FIG. 2 is another perspective view thereof;
 FIG. 3 is another perspective view thereof;
 FIG. 4 is a front elevational view thereof;
 FIG. 5 is a rear elevational view thereof;
 FIG. 6 is a left side elevational view thereof;
 FIG. 7 is a right side elevational view thereof;
 FIG. 8 is a top plan view thereof;
 FIG. 9 is a bottom plan view thereof;
 FIG. 10 is a perspective view of a component of the rock tumbler, shown separately for ease of illustration;
 FIG. 11 is another perspective view thereof;
 FIG. 12 is another perspective view thereof;
 FIG. 13 is a front elevational view thereof;
 FIG. 14 is a rear elevational view thereof;
 FIG. 15 is a left side elevational view thereof;
 FIG. 16 is a right side elevational view thereof;
 FIG. 17 is a top plan view thereof; and,
 FIG. 18 is a bottom plan view thereof.
 The broken lines in the drawings depict portions of the rock tumbler that form no part of the claimed design.

1 Claim, 18 Drawing Sheets



(56)

References Cited

U.S. PATENT DOCUMENTS

3,861,654 A * 1/1975 Singleton B24B 31/02
220/213
4,045,918 A * 9/1977 Freedman B24B 31/027
451/328
4,206,573 A * 6/1980 Hayward B24B 31/027
451/328
T101,801 I4 * 5/1982 Bierschbach 33/562
4,580,740 A * 4/1986 Fauser B65H 18/20
242/541.6
5,586,925 A * 12/1996 DiNorcia, Sr. B24B 1/007
451/328
6,254,466 B1 * 7/2001 Mucciacciaro B24B 31/02
451/328
D757,136 S * 5/2016 Yu D15/124
9,421,664 B1 * 8/2016 Yu B24B 31/02
D868,125 S * 11/2019 Shu D15/144
D940,763 S * 1/2022 Zhao D15/124
2008/0296162 A1 * 12/2008 Shallcross A61N 2/12
204/660
2021/0260717 A1 * 8/2021 Gedlick B24B 31/02

OTHER PUBLICATIONS

Rachel M., "Quiet" Review for Dan and Darci Advanced Professional Rock Tumbler Kit, (review posted Aug. 15, 2019), Amazon.com, URL:<https://www.amazon.com/gp/customer-reviews/R3YY5S62O4DY7?ref=va_cr_lb> (Year: 2019).*

Ezvid Wiki, The 10 Best Rock Tumblers, (posted Oct. 10, 2020), Wiki.ezvid.com website, URL:<<https://wiki.ezvid.com/best-rock-tumblers>> (Year: 2020).*

* cited by examiner

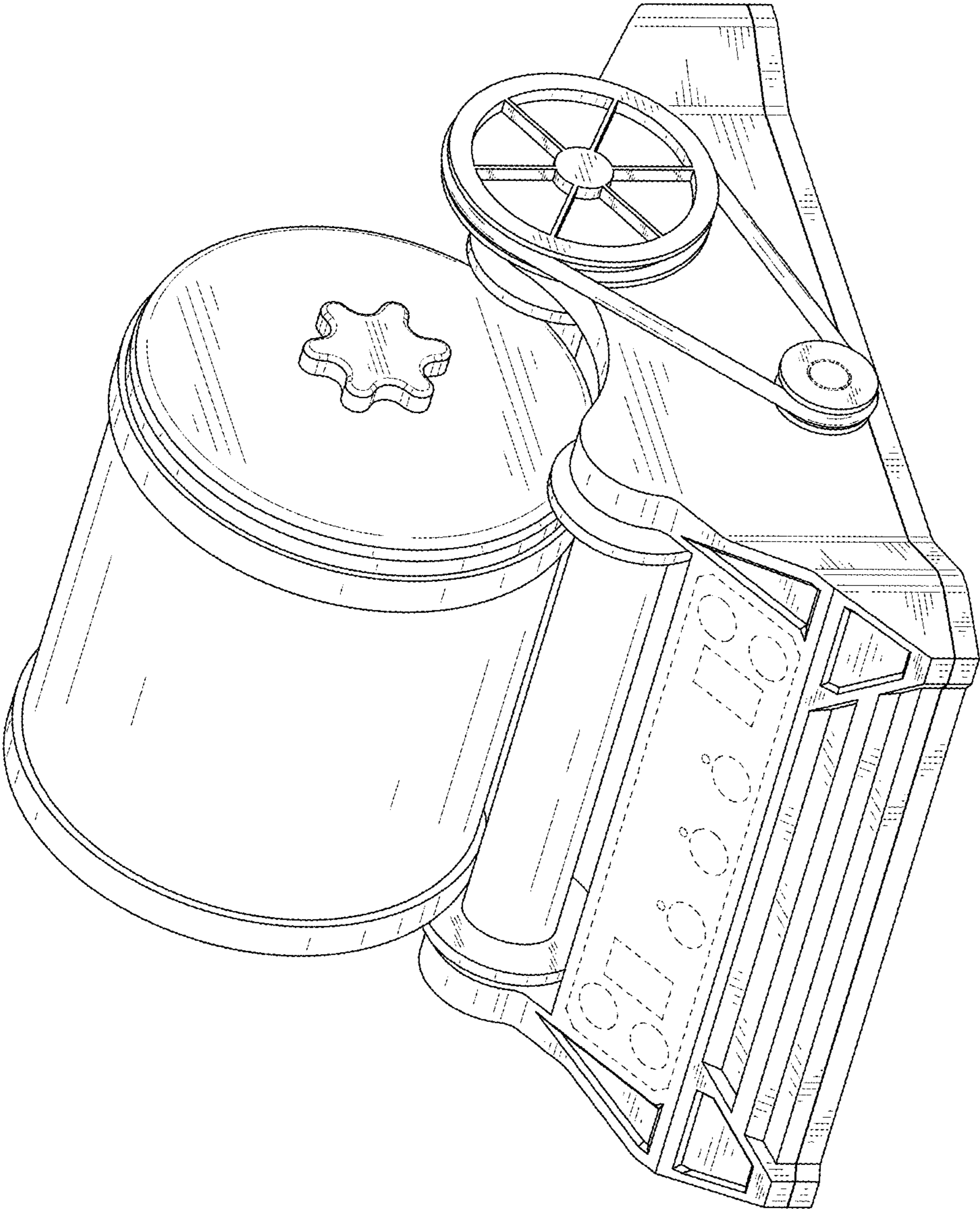


FIG. 1

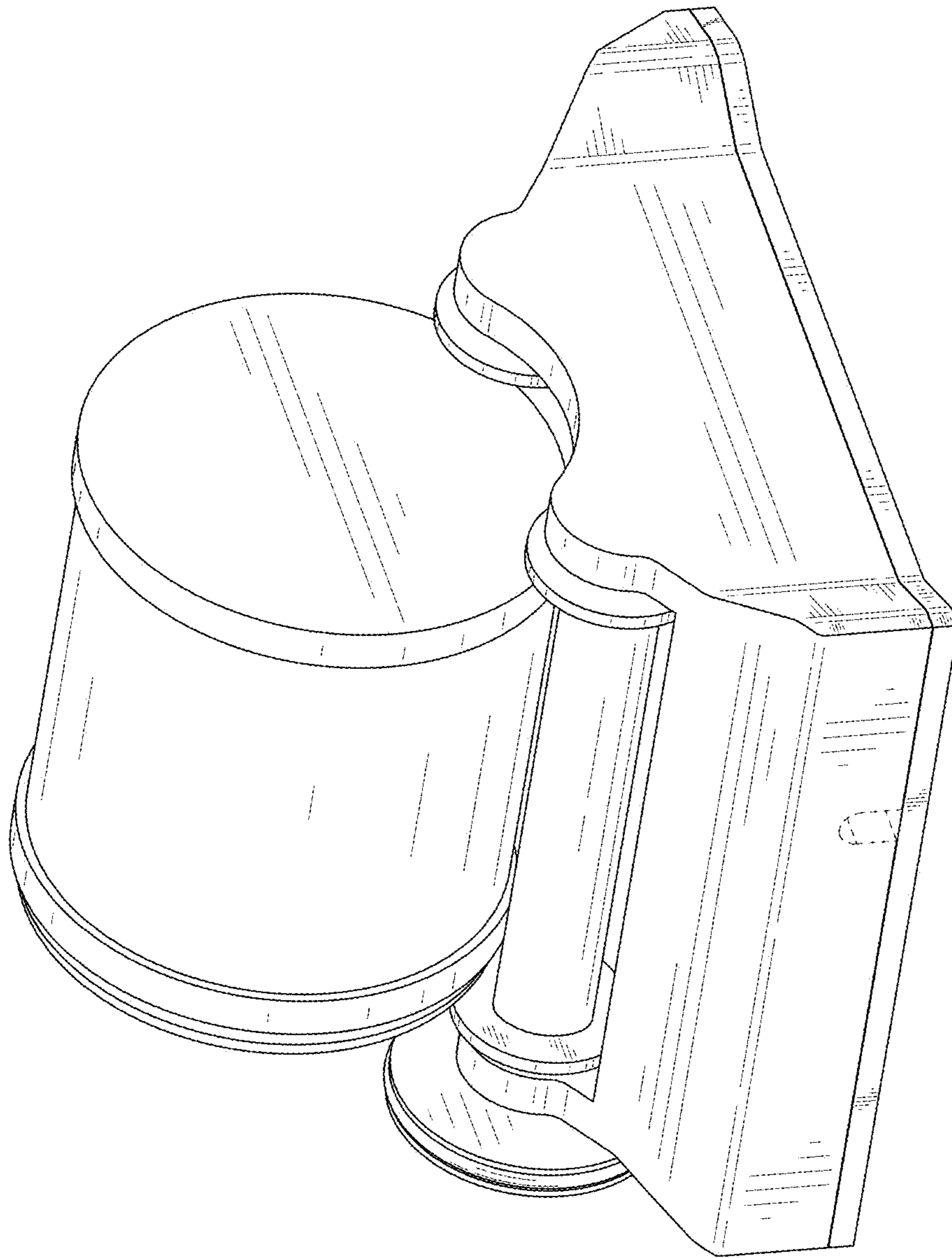


FIG. 2

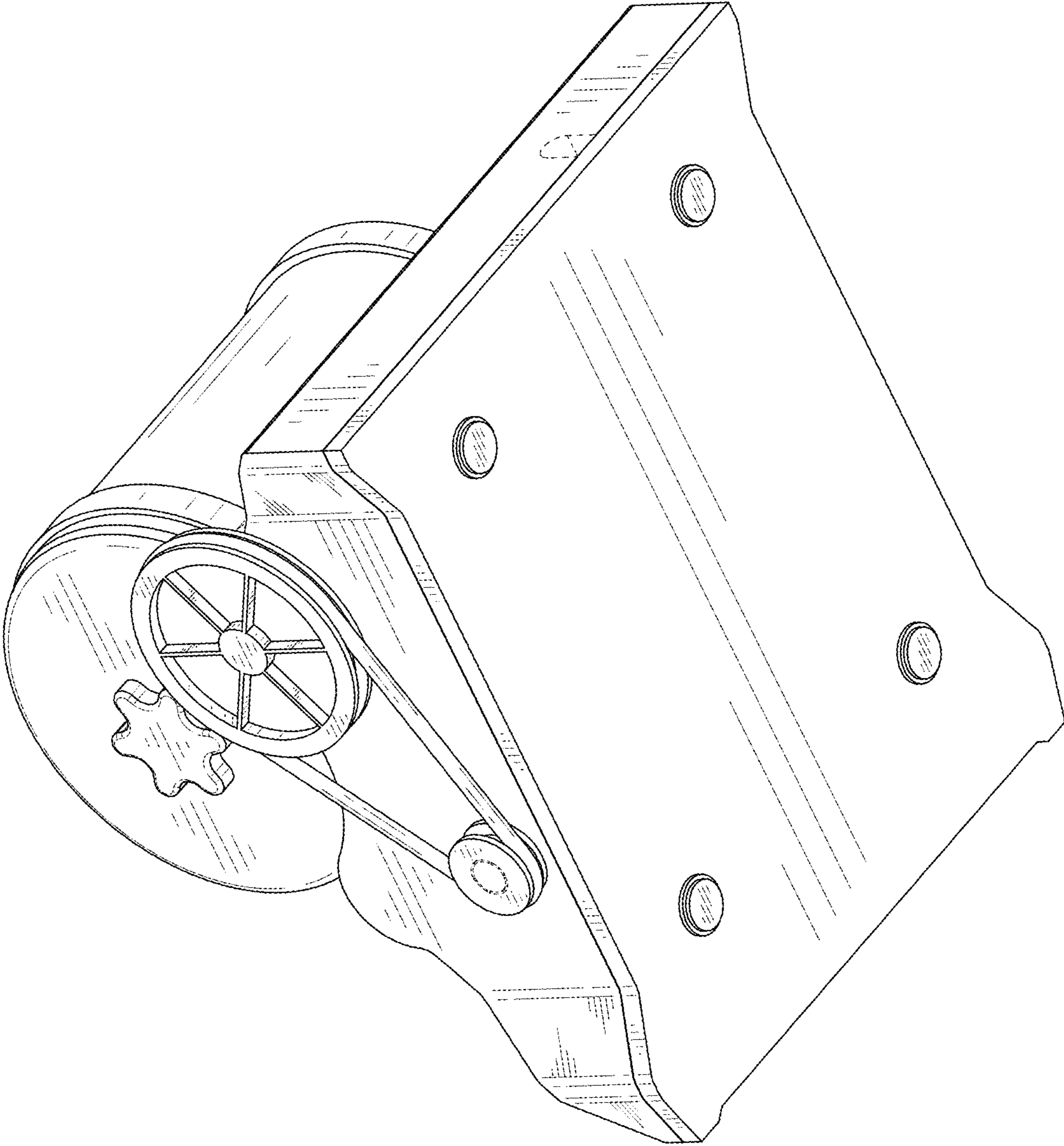


FIG. 3

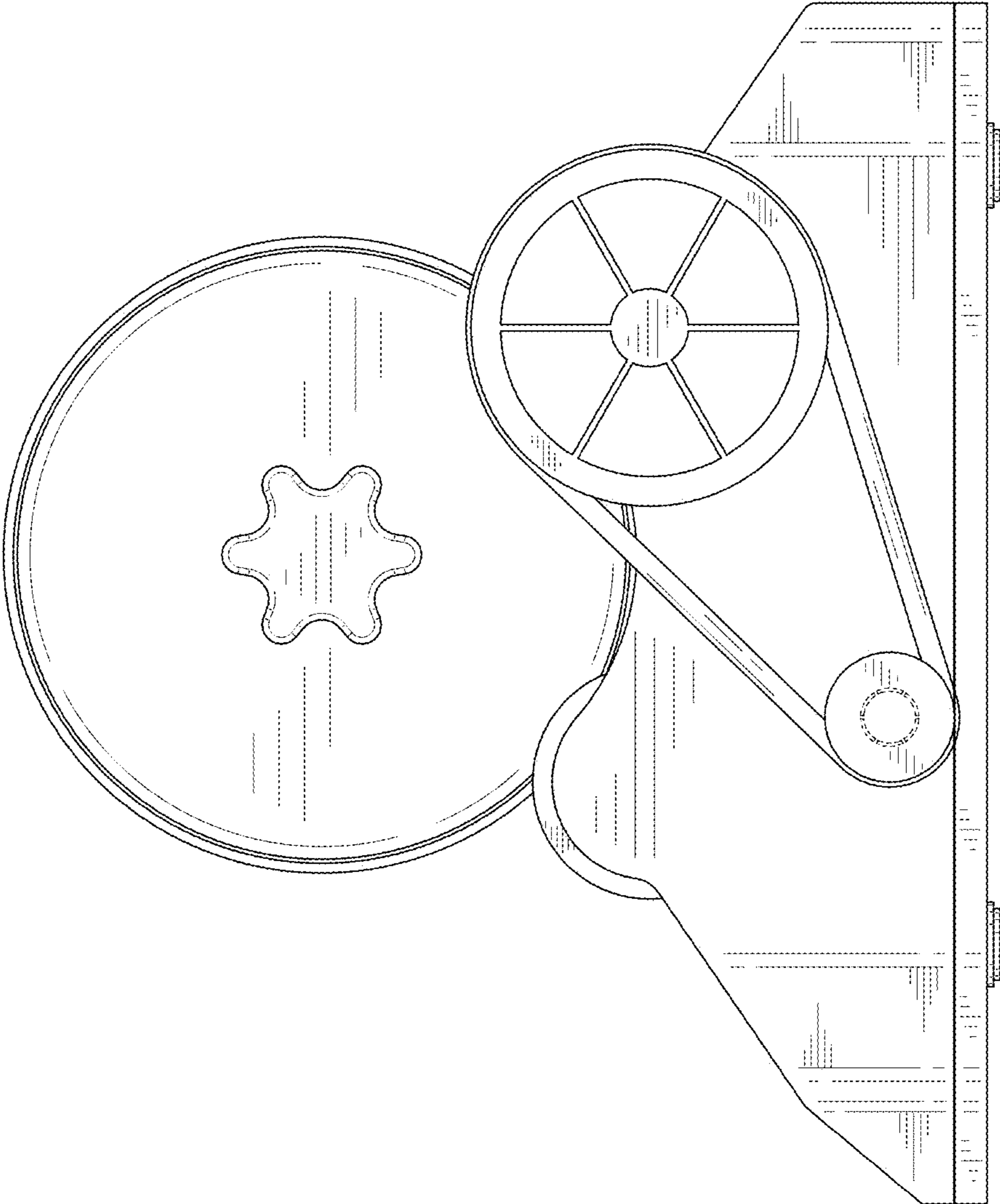


FIG. 4

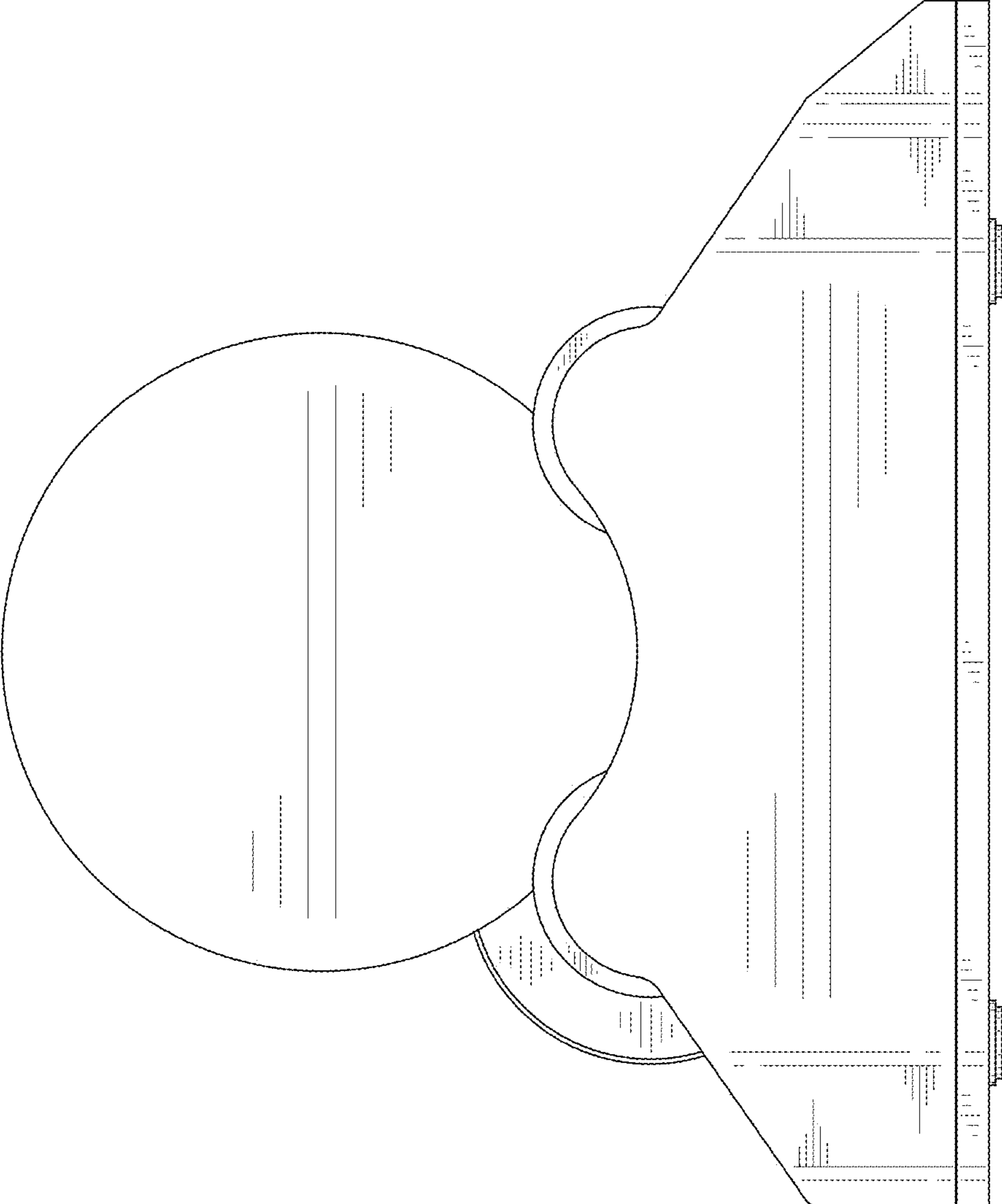


FIG. 5

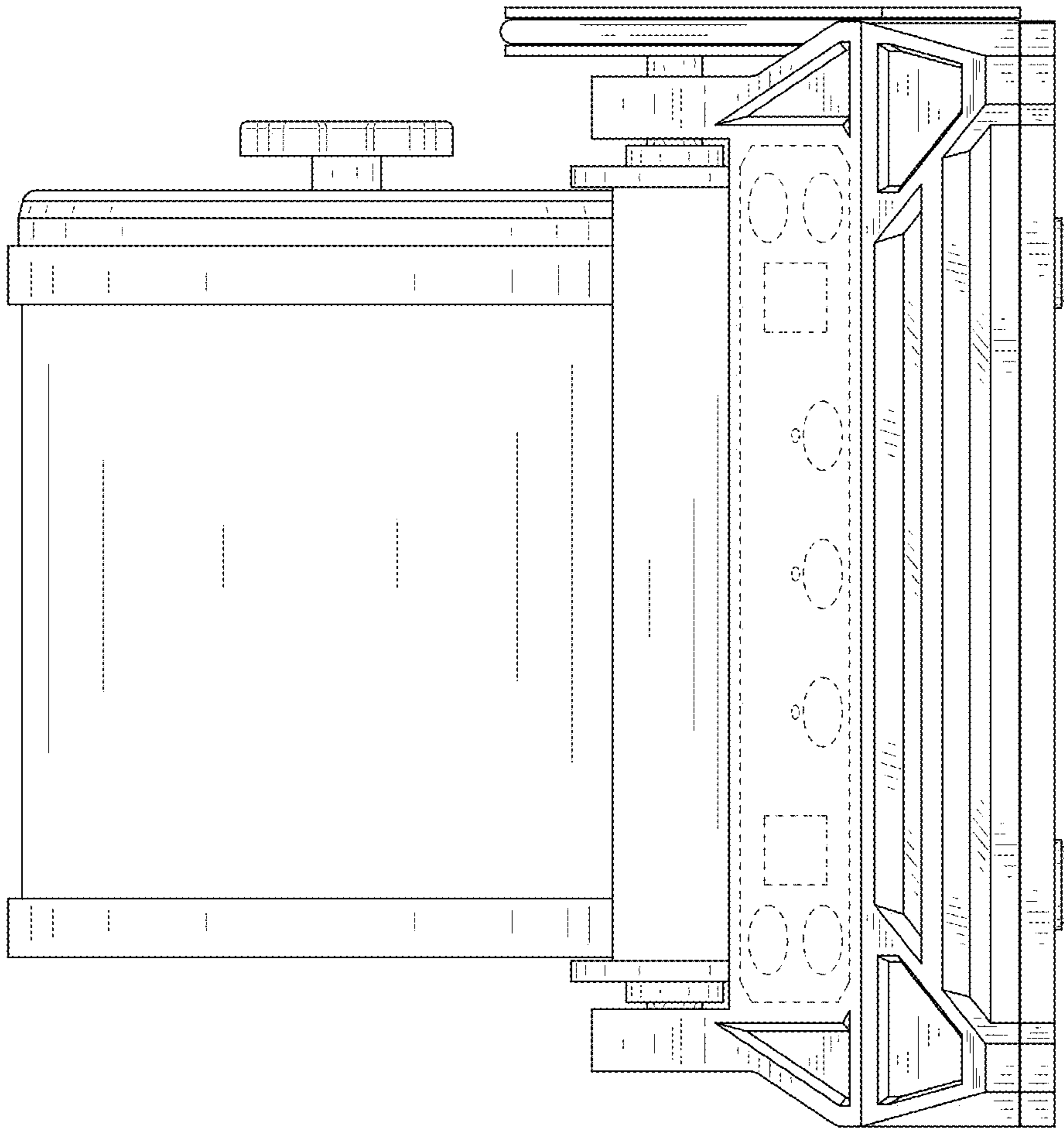


FIG. 6

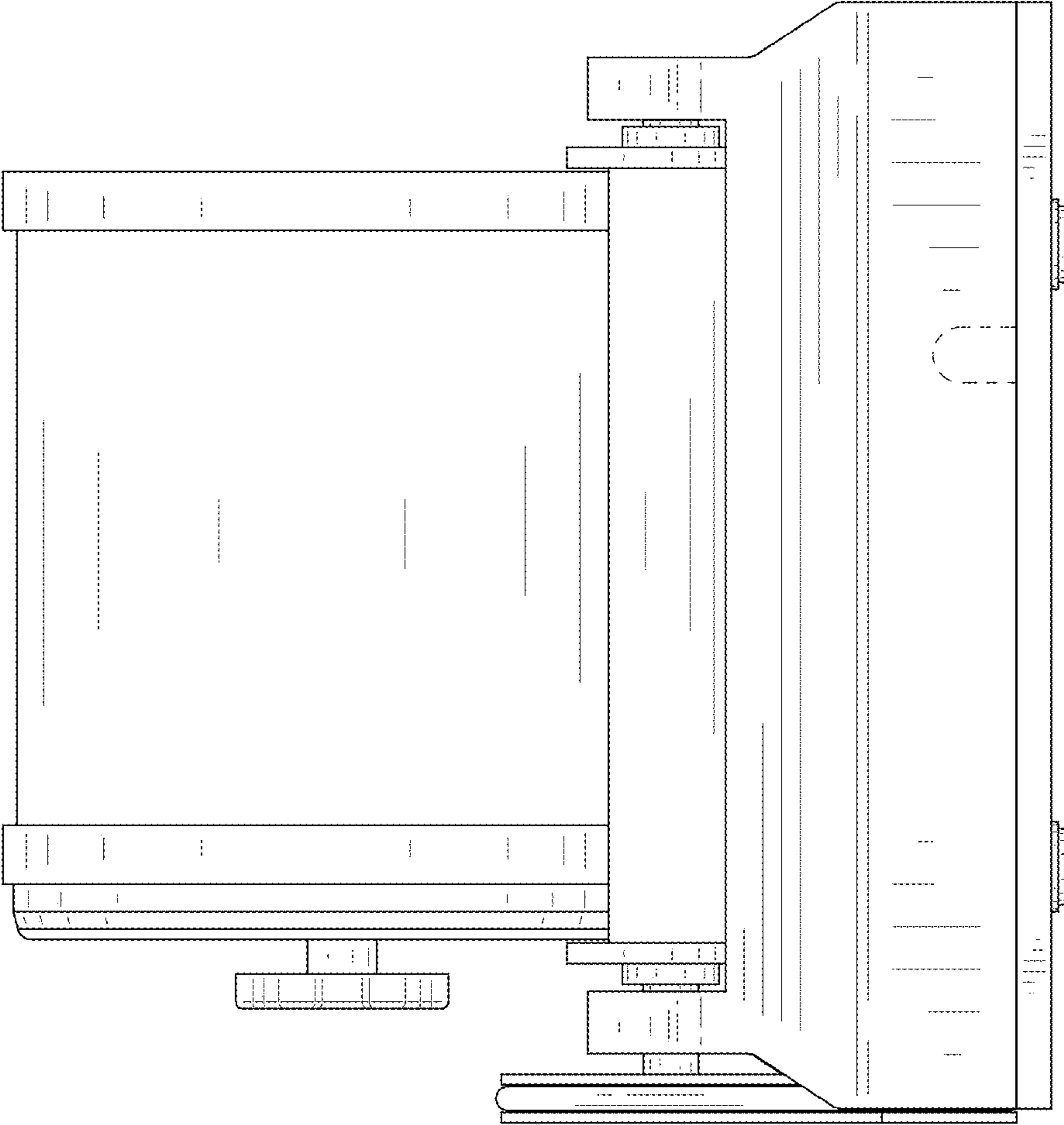


FIG. 7

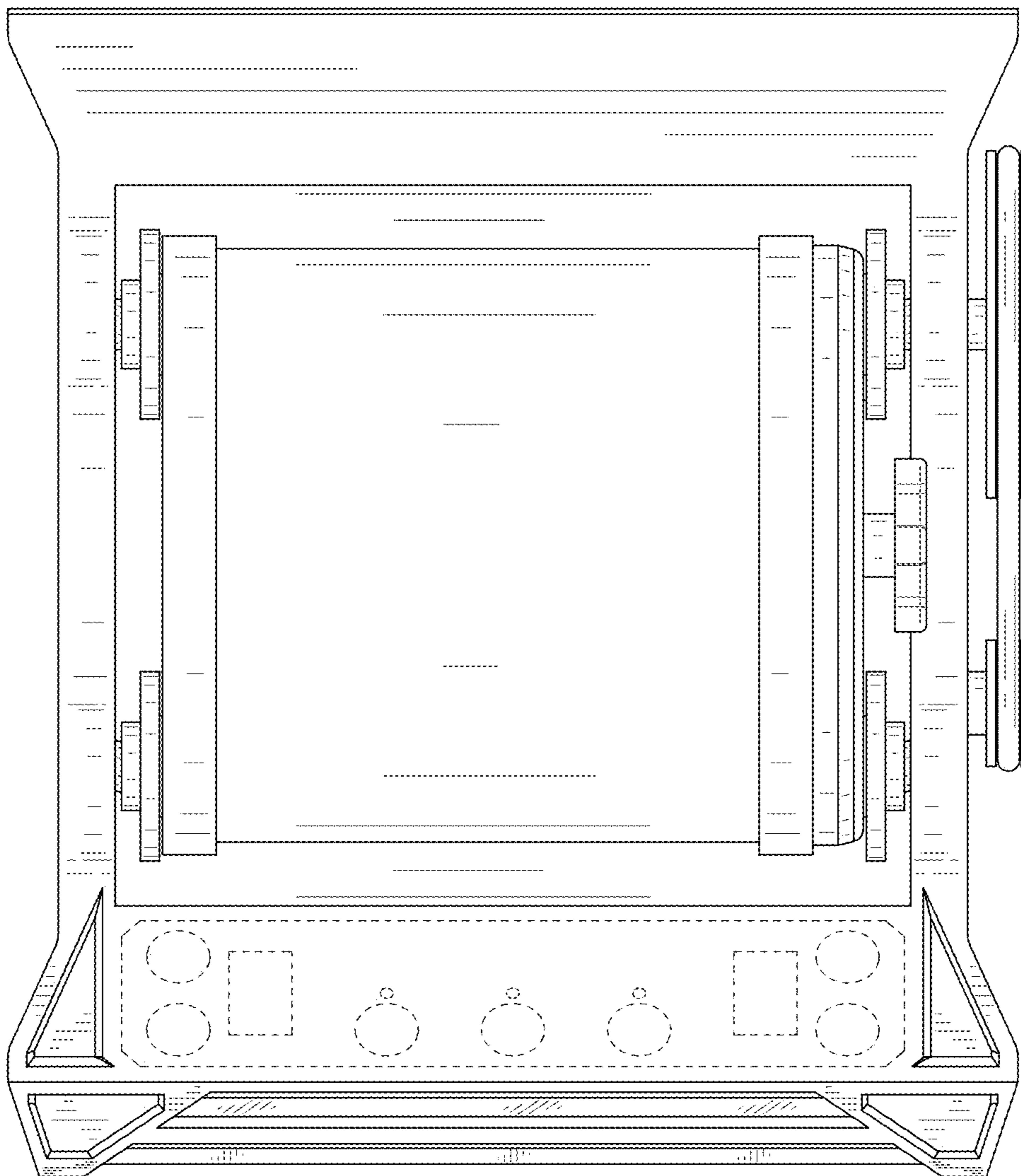


FIG. 8

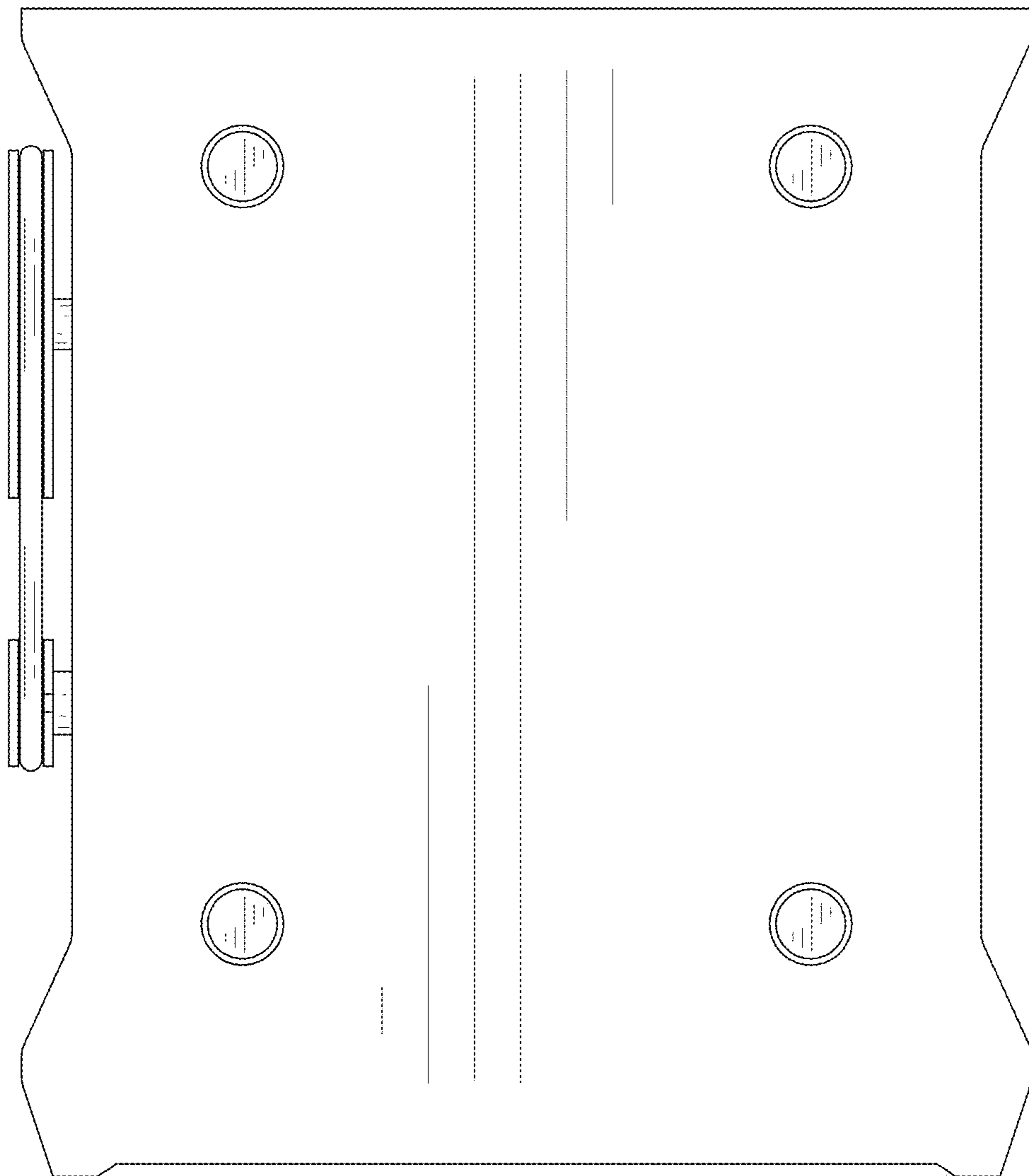


FIG. 9

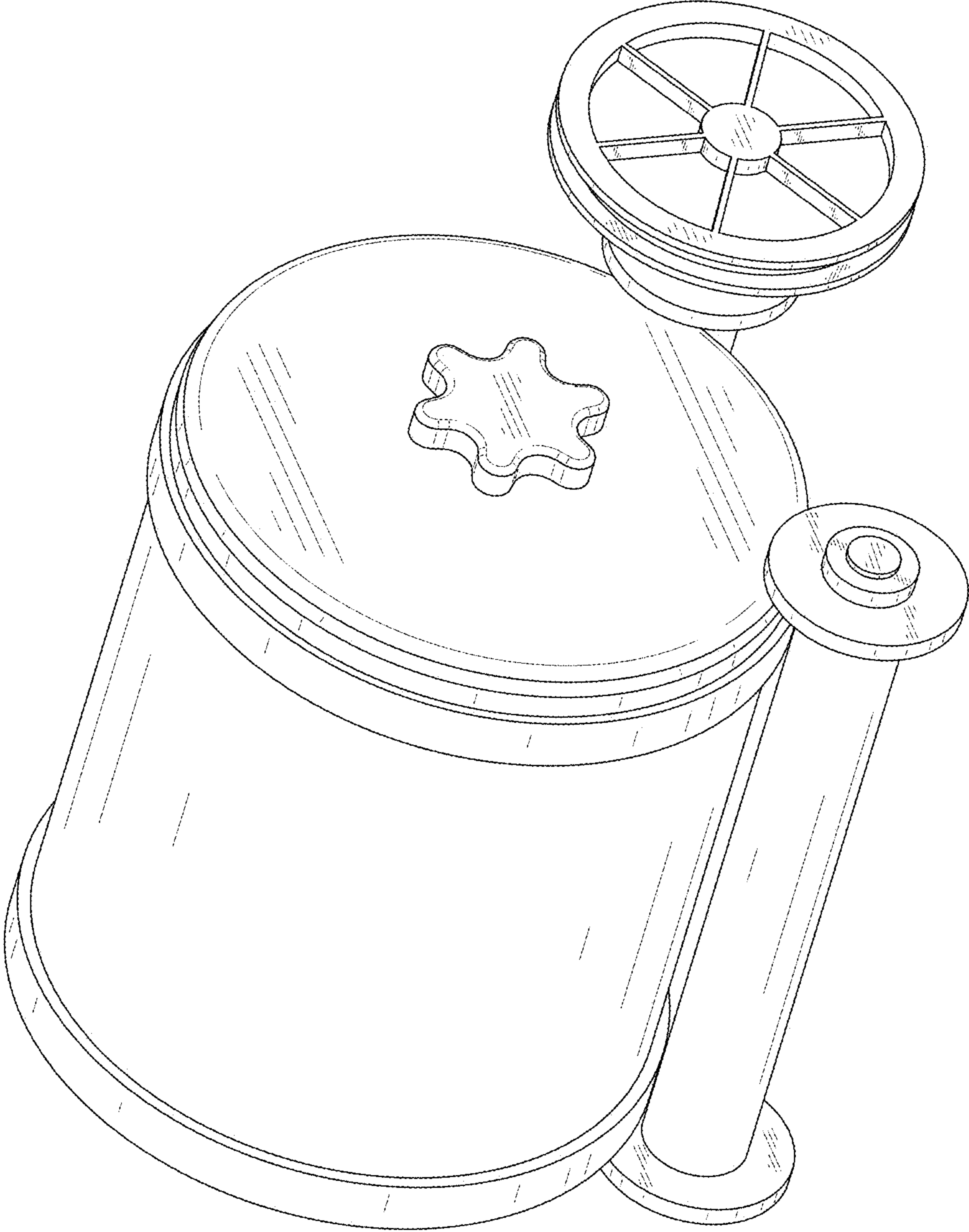


FIG. 10

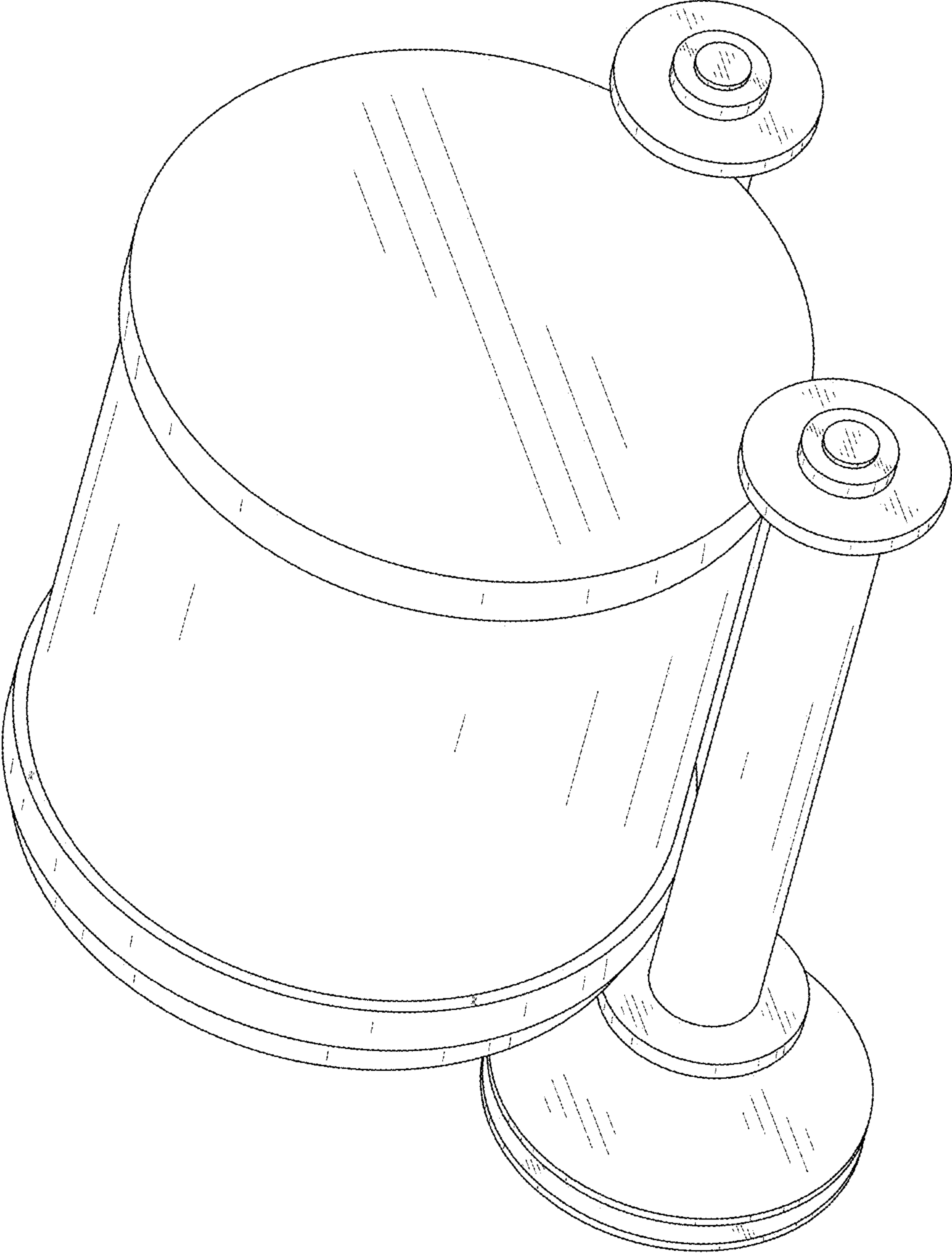


FIG. 11

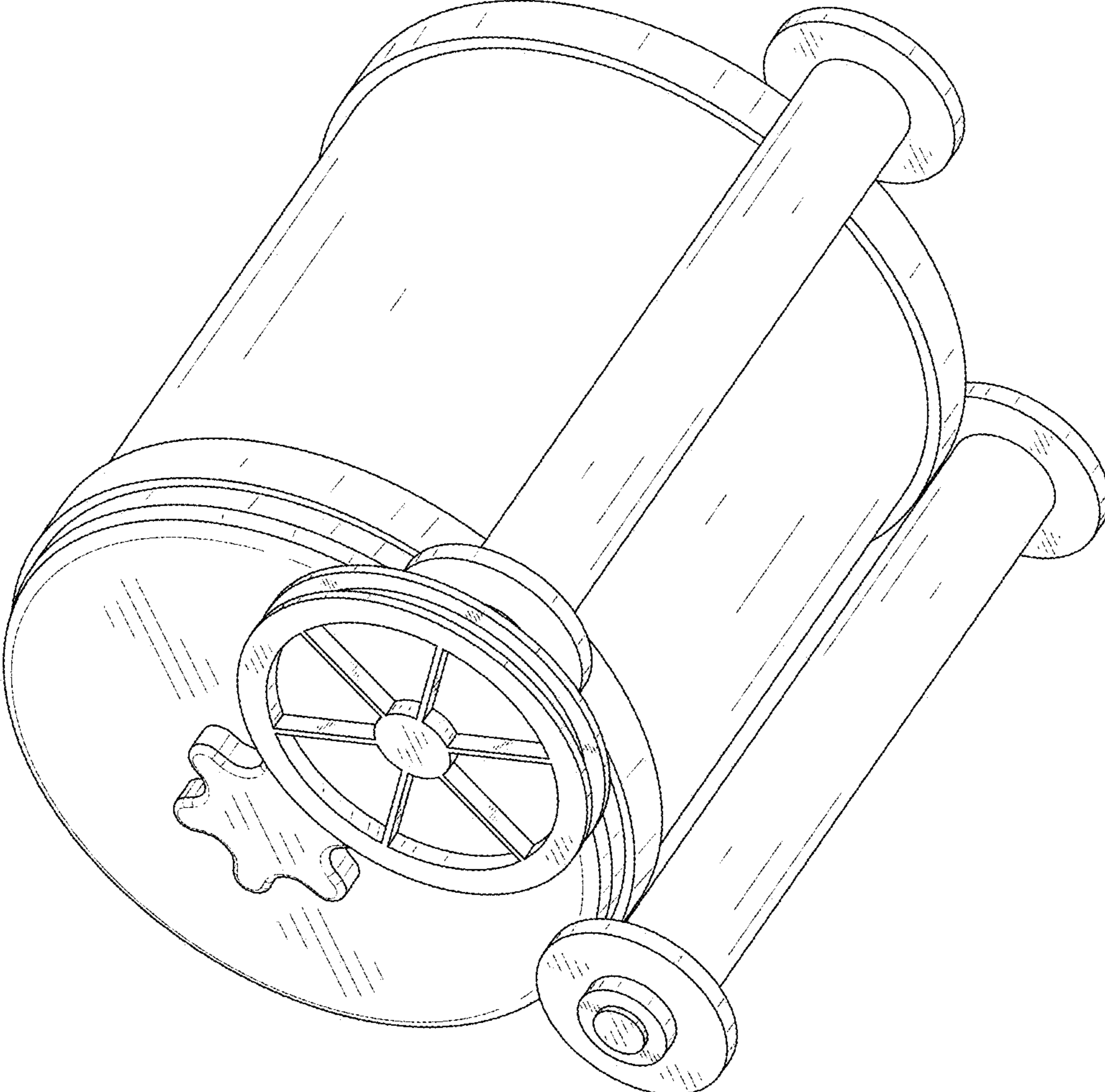


FIG. 12

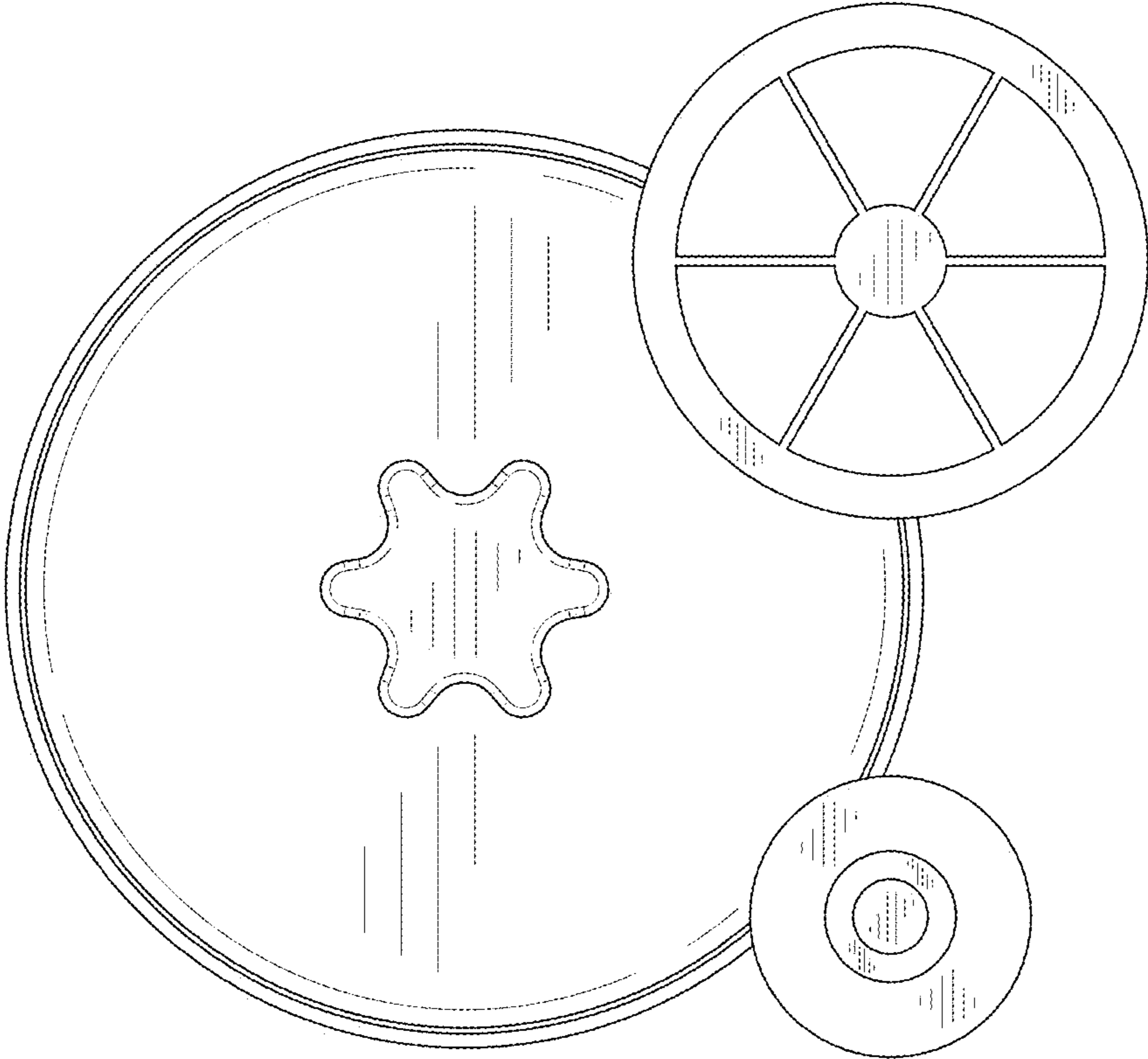


FIG. 13

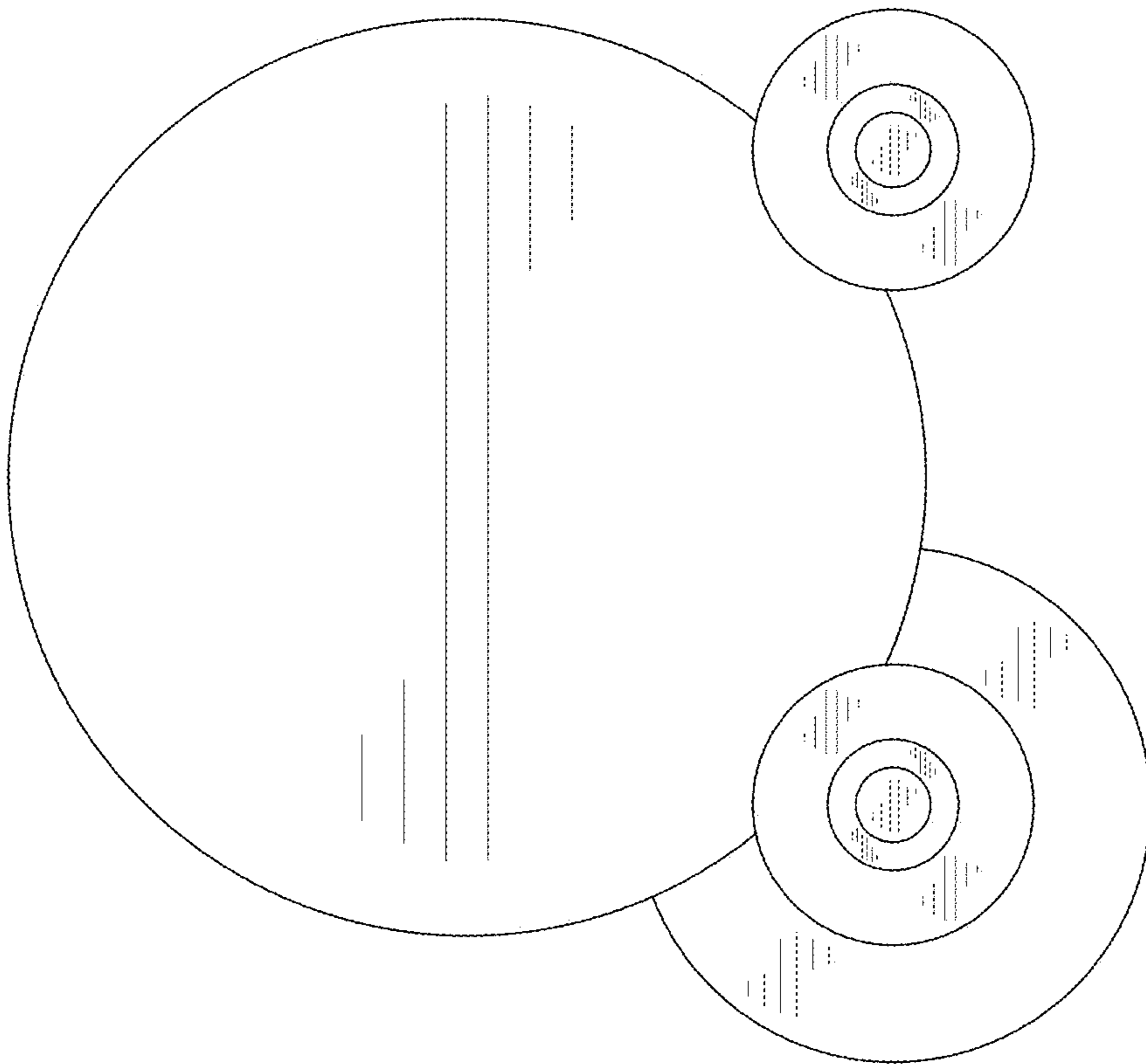


FIG. 14

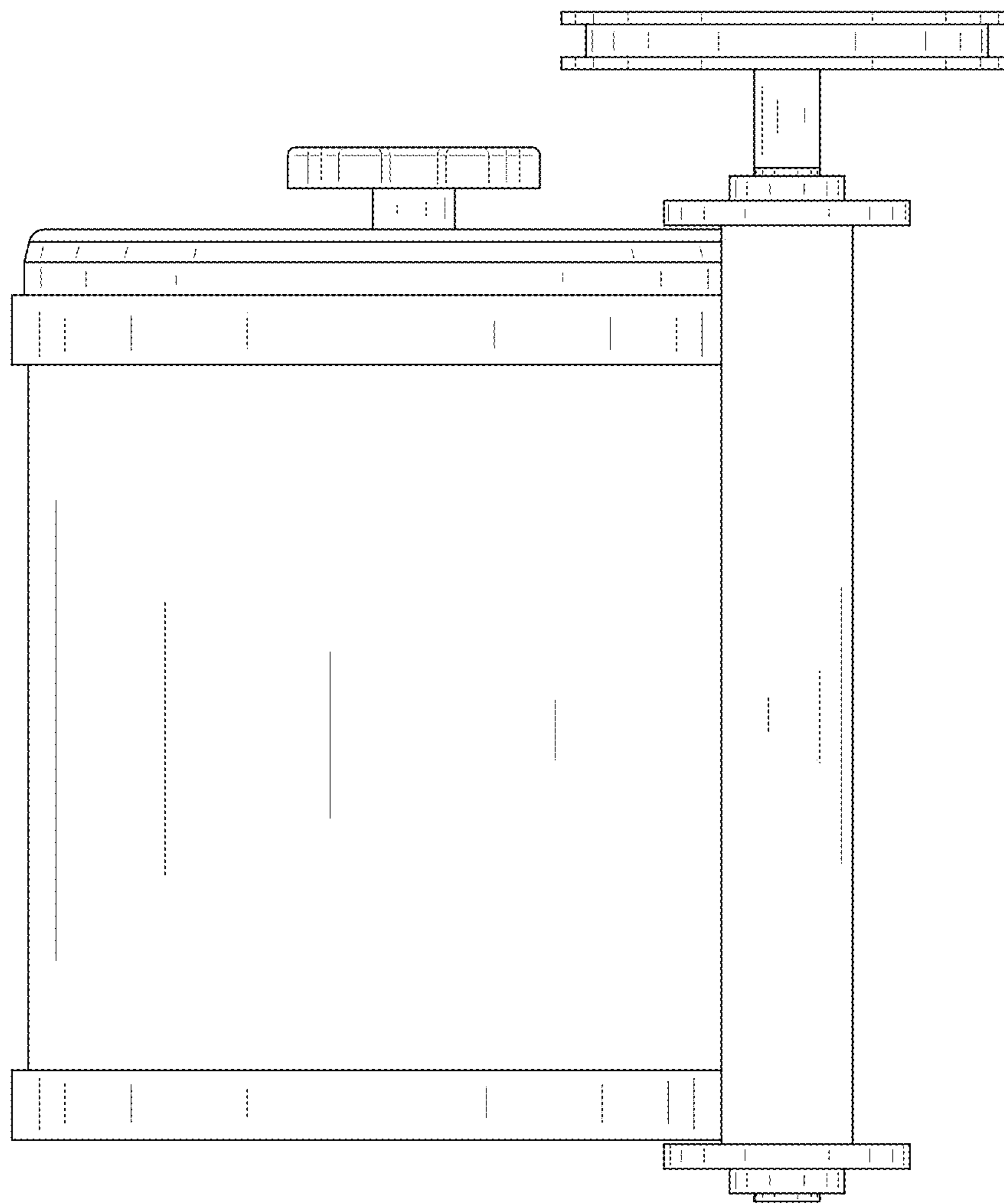


FIG. 15

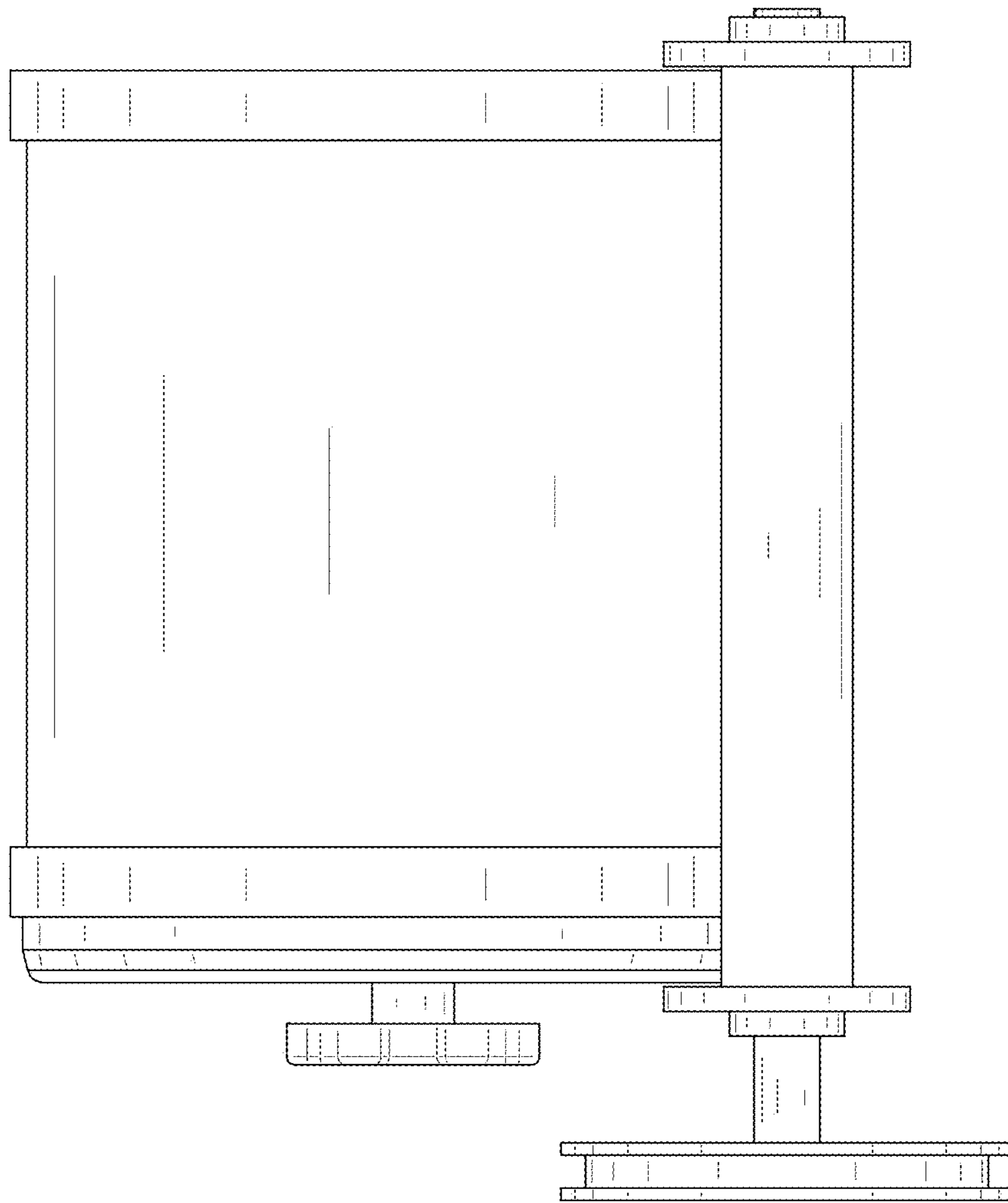


FIG. 16

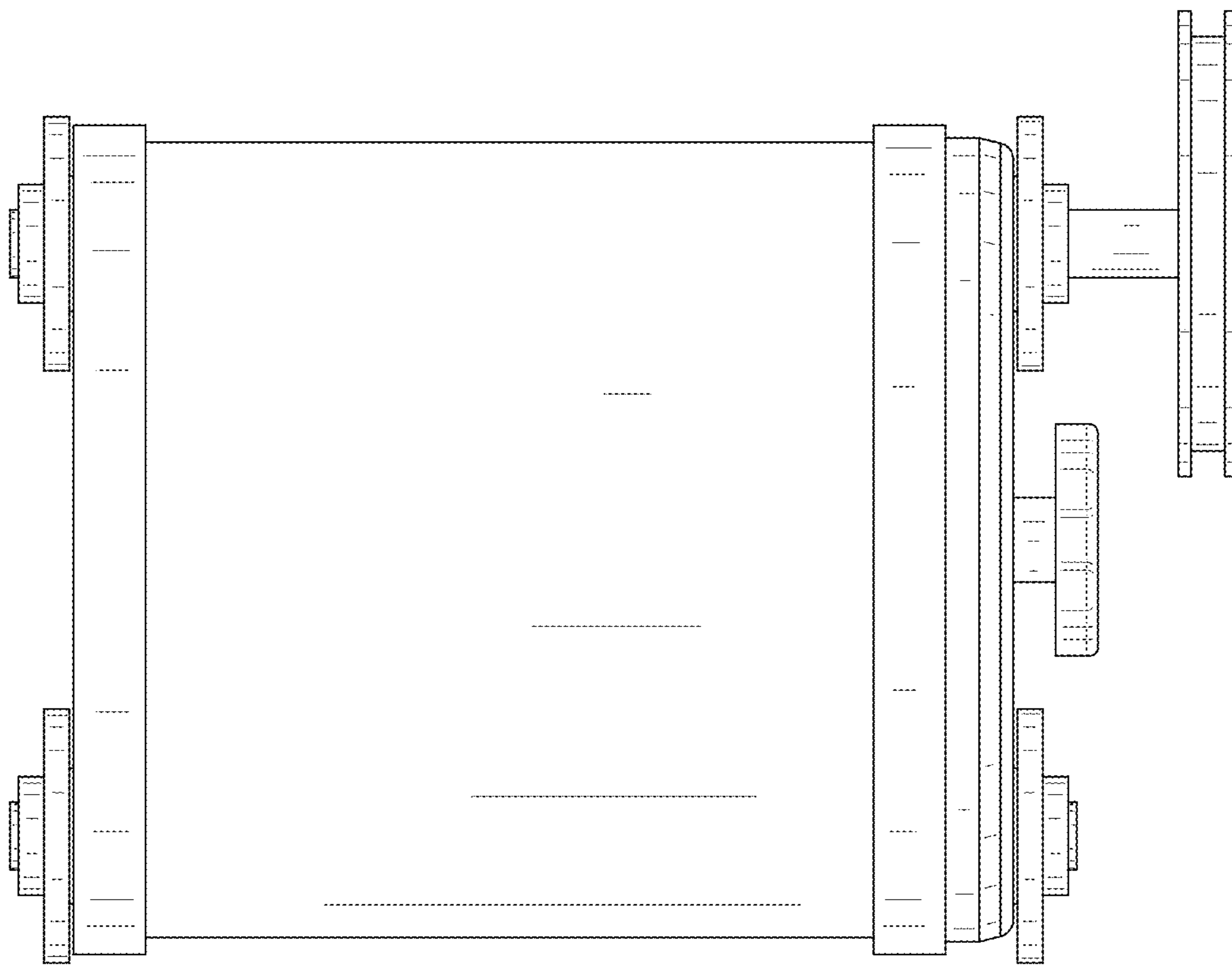


FIG. 17

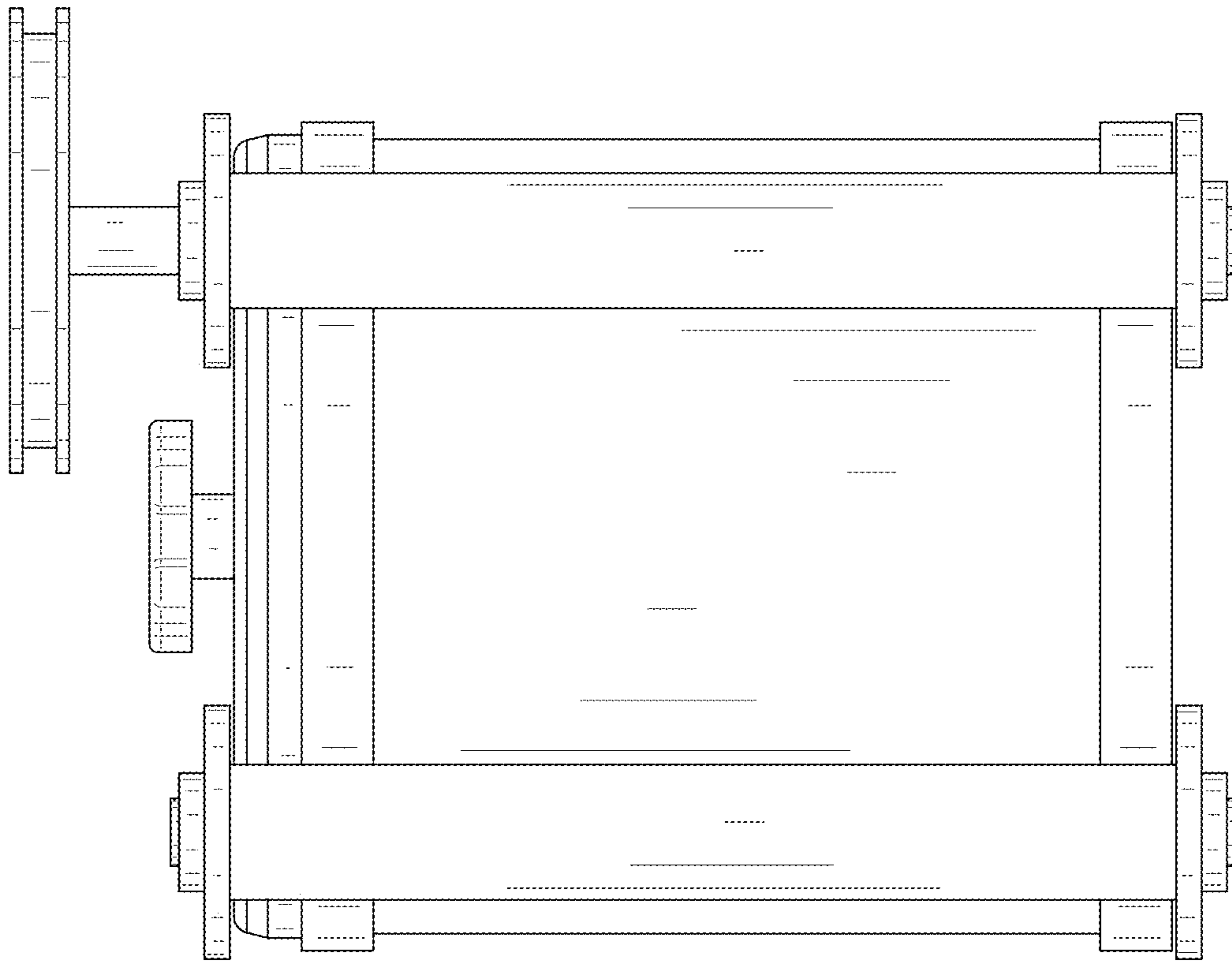


FIG. 18