



US00D975139S

(12) **United States Design Patent** (10) **Patent No.:** **US D975,139 S**
Eichel et al. (45) **Date of Patent:** **** Jan. 10, 2023**

(54) **SNOW THROWER**

(71) Applicant: **Globe (Jiangsu) Co., Ltd.**, Changzhou (CN)

(72) Inventors: **Chris Eichel**, Charlotte, NC (US); **Sheng Li**, Changzhou (CN); **Jie Kuang**, Changzhou (CN); **Jianlong Chen**, Changzhou (CN); **Shidong Ma**, Changzhou (CN)

(73) Assignee: **Globe (Jiangsu) Co., Ltd.**, Changzhou (CN)

(**) Term: **15 Years**

(21) Appl. No.: **29/807,049**

(22) Filed: **Sep. 8, 2021**

(30) **Foreign Application Priority Data**

Apr. 6, 2021 (CN) 202130190653.1

(51) **LOC (14) Cl.** **15-03**

(52) **U.S. Cl.**
USPC **D15/12**

(58) **Field of Classification Search**

USPC D15/10, 11, 12; 172/699
CPC .. E01H 6/00; E01H 1/00; E01H 1/056; E01H 1/05; E01H 1/0809; E01H 5/098; E01H 5/045; E01H 5/061; E01H 5/10; E01H 5/04; E01H 5/09; E01H 5/06; E01H 5/066; E01H 5/02; E01H 5/065; E01H 5/062; E01H 5/063; E01H 5/067; A01D 42/08

See application file for complete search history.

(56) **References Cited**

U.S. PATENT DOCUMENTS

| | | | | |
|--------------|------|---------|------------------|---------------------|
| 4,255,879 | A * | 3/1981 | Greider | E01H 5/04 37/285 |
| D314,775 | S * | 2/1991 | Yoshida | D15/11 |
| 5,123,186 | A * | 6/1992 | Matsushita | E01H 5/04 37/251 |
| 5,410,824 | A * | 5/1995 | Pedersen | E01H 5/04 D15/12 |
| D457,171 | S * | 5/2002 | Fowler | D15/11 |
| D494,193 | S * | 8/2004 | Martin | D15/12 |
| D498,770 | S * | 11/2004 | Yuzuriha | D15/12 |
| D500,053 | S * | 12/2004 | Yuzuriha | D15/12 |
| D603,428 | S * | 11/2009 | Tashiro | D15/12 |
| 9,399,846 | B2 * | 7/2016 | Friberg | E01H 5/045 |
| D786,940 | S * | 5/2017 | Dretzka | D15/11 |
| D808,440 | S * | 1/2018 | Tucker | D15/12 |
| D824,427 | S * | 7/2018 | Cohen | D15/12 |
| 2019/0390424 | A1 * | 12/2019 | Fu | E01H 5/045 |
| 2021/0040701 | A1 * | 2/2021 | Yamaoka | H02K 11/0094 |

* cited by examiner

Primary Examiner — Mark A Goodwin

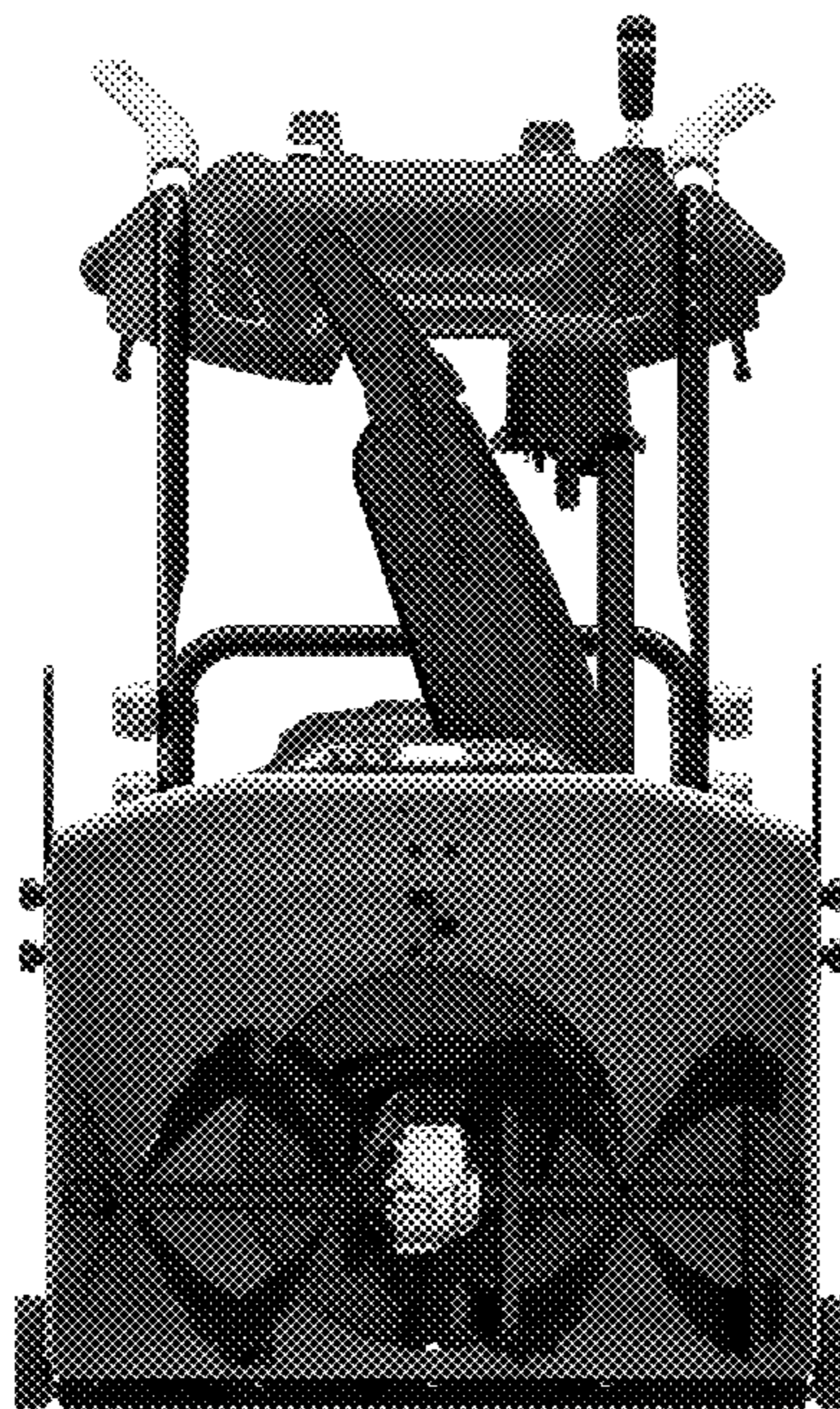
(57) **CLAIM**

The ornamental design for a snow thrower, as shown and described.

DESCRIPTION

FIG. 1 is a front elevational view of a snow thrower showing our new design;
FIG. 2 is a rear elevational view thereof;
FIG. 3 is a left side view thereof;
FIG. 4 is a right side view thereof;
FIG. 5 is a top view thereof;
FIG. 6 is a bottom view thereof;
FIG. 7 is a perspective view thereof; and,
FIG. 8 is another perspective view thereof.

1 Claim, 8 Drawing Sheets



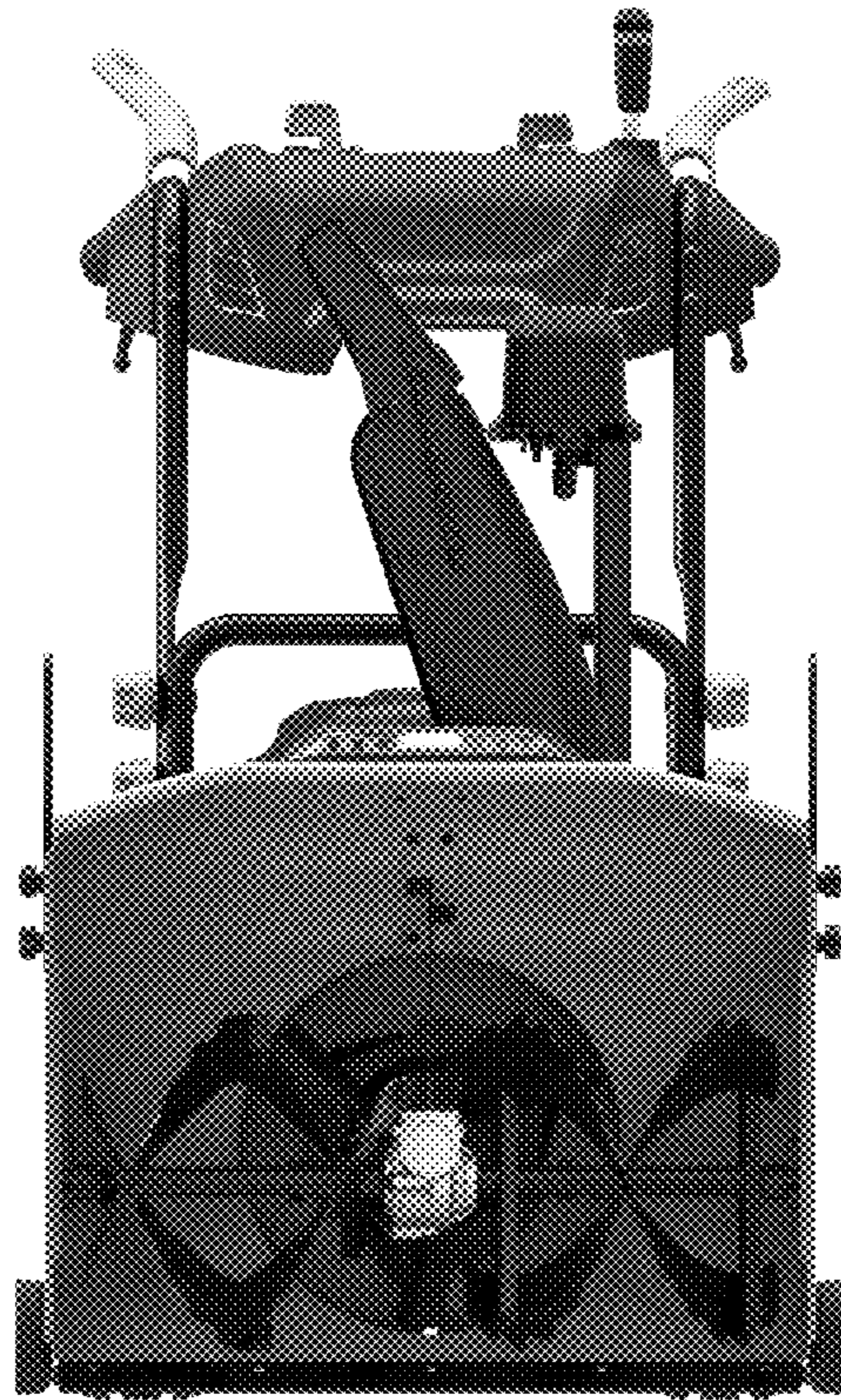


Figure 1

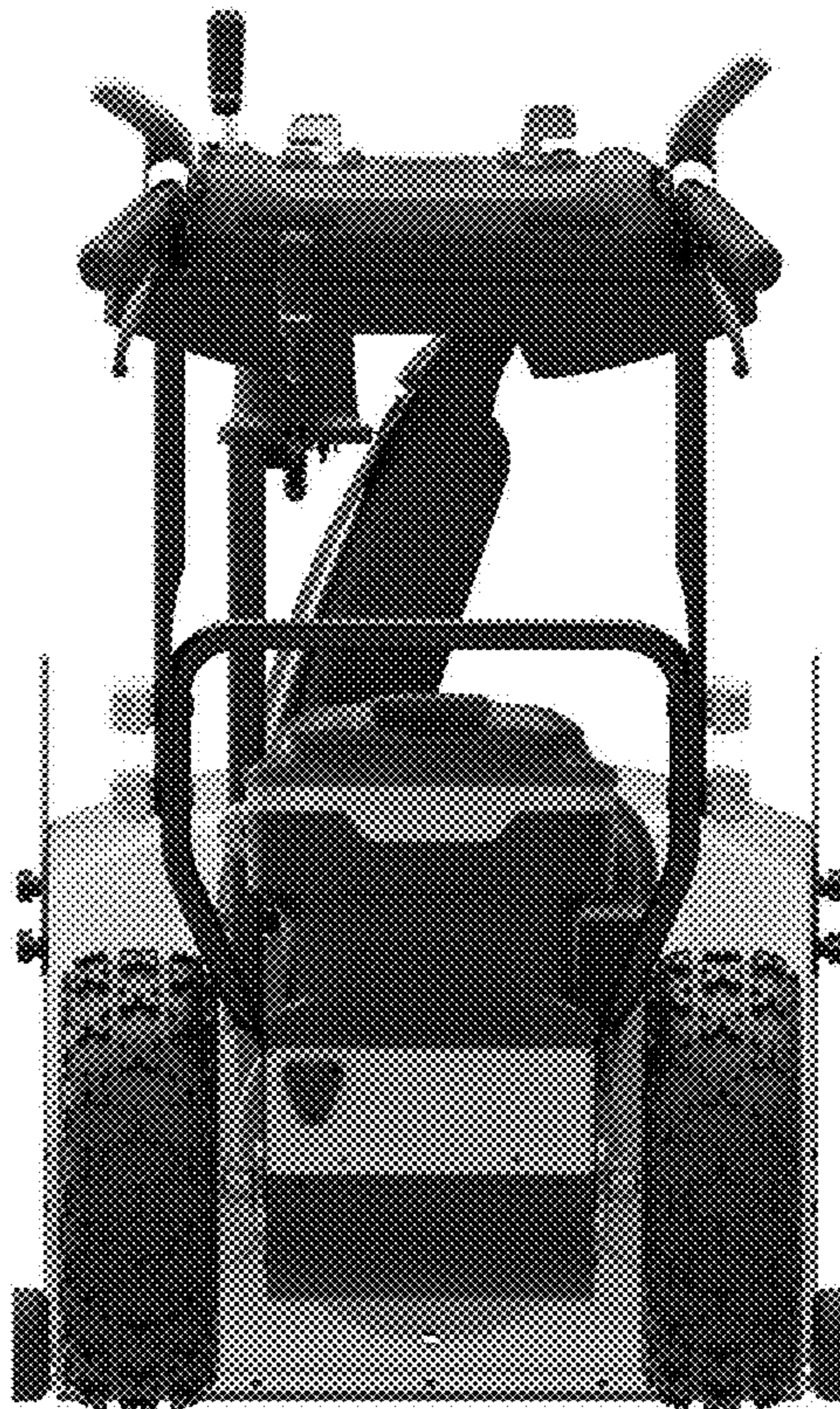


Figure 2



Figure 3



Figure 4

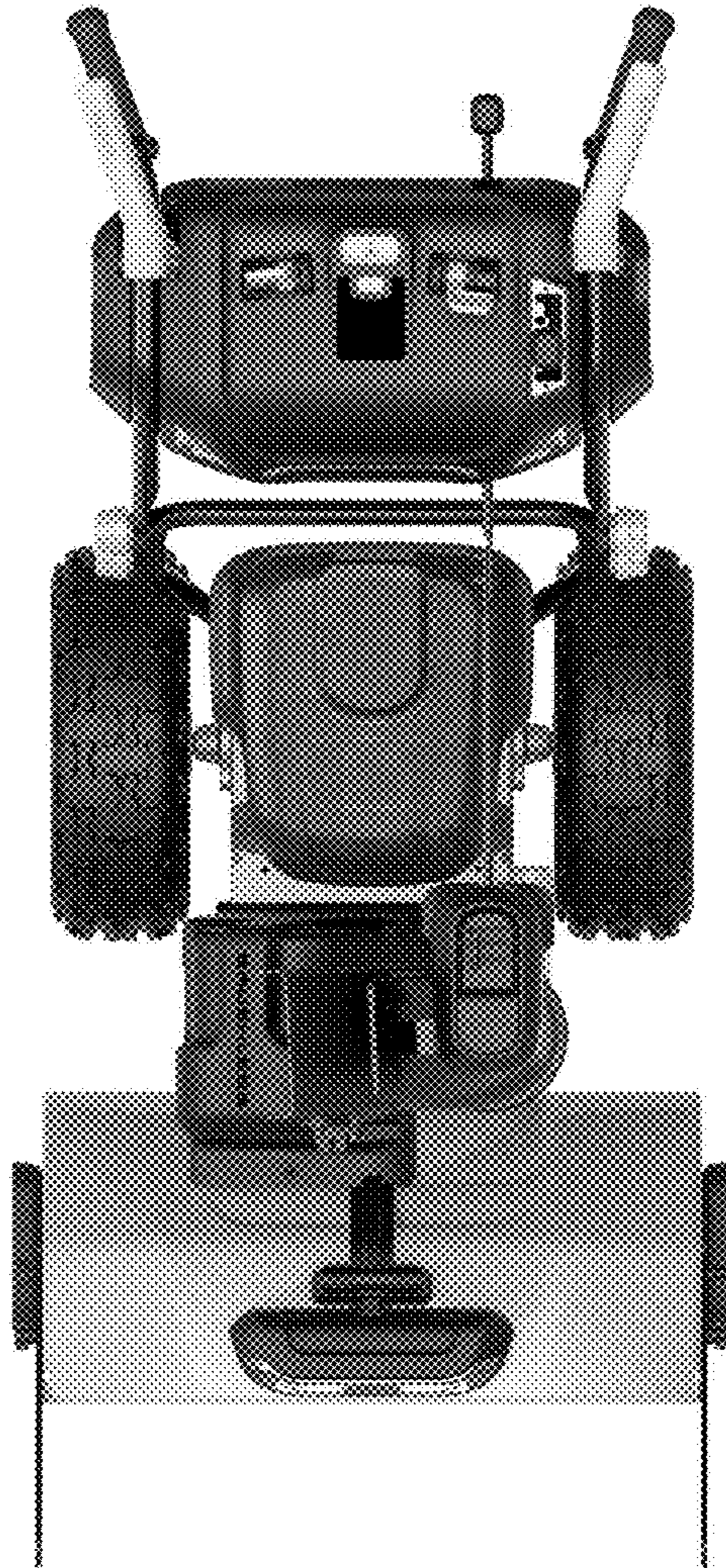


Figure 5

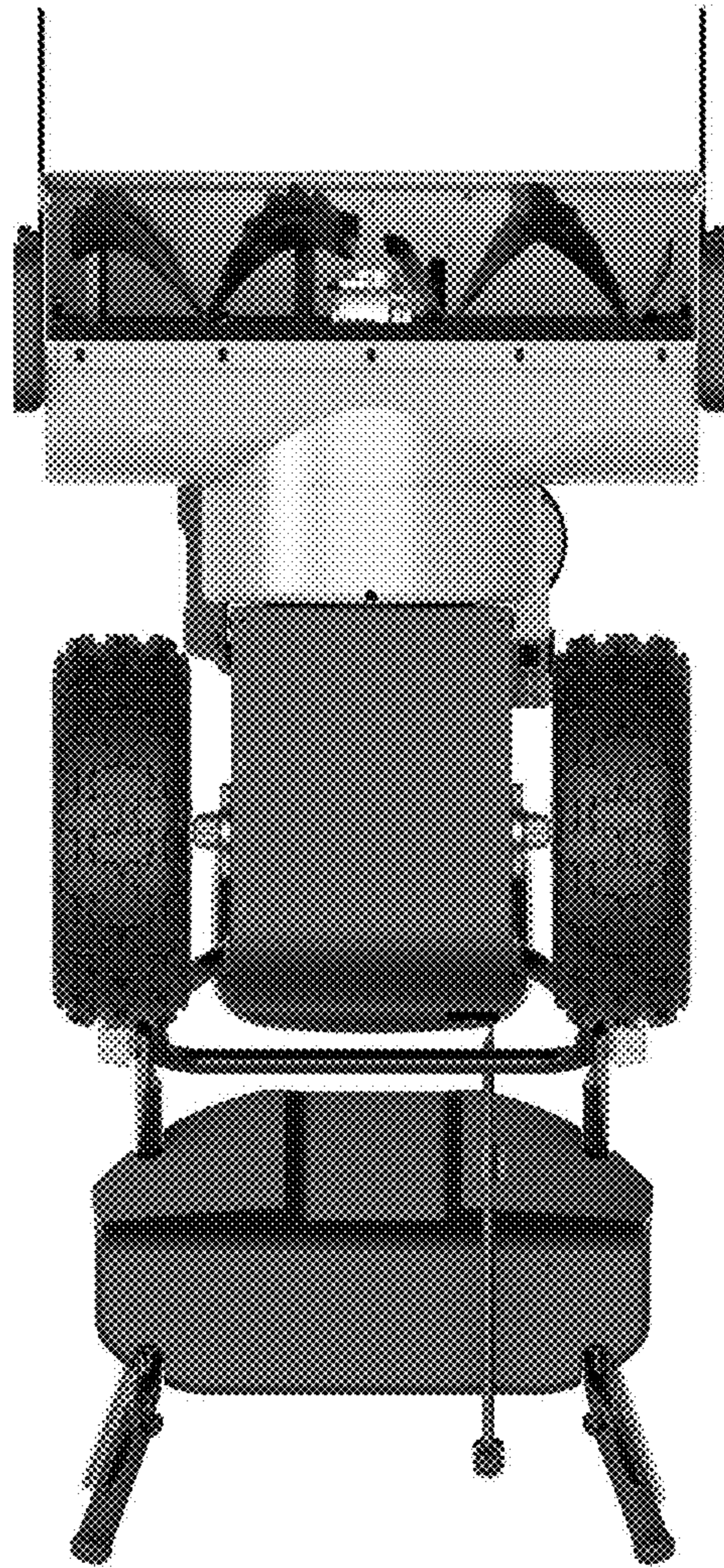


Figure 6



Figure 7



Figure 8