



US00D975136S

(12) **United States Design Patent**
Liu

(10) **Patent No.:** **US D975,136 S**
(45) **Date of Patent:** **** Jan. 10, 2023**

- (54) **AUTOMOTIVE AIR INTAKE**
- (71) Applicant: **Resource Intl Inc.**, New Castle, DE (US)
- (72) Inventor: **Ye Liu**, Elkton, MD (US)
- (73) Assignee: **Resource Intl Inc.**, New Castle, DE (US)
- (**) Term: **15 Years**
- (21) Appl. No.: **29/784,826**
- (22) Filed: **May 21, 2021**
- (51) **LOC (14) Cl.** **15-01**
- (52) **U.S. Cl.**
USPC **D15/5**
- (58) **Field of Classification Search**
USPC D15/1, 2, 3, 4, 5, 6
CPC F02M 35/10091; F02M 35/10222; F02M 35/10295; F02M 35/10321; F02M 35/10262; F02M 35/104; F02M 35/10354; F02M 35/116; F02M 35/10052; F02M 35/10078; F02M 35/112; F02M 35/10085; F02M 31/00; F02M 31/04; F02M 31/042; F02M 31/045; F02M 31/047; F02M 31/093; F02M 35/10144; F02M 35/10039; F02M 35/10347; F02M 35/10334; F02M 35/10; F02M 35/10268; B60K 11/06
See application file for complete search history.

D754,208 S *	4/2016	Niakan	D15/5
D762,735 S *	8/2016	Niakan	D15/5
D762,736 S *	8/2016	Niakan	D15/5
D886,867 S *	6/2020	Niakan	D15/5
D886,868 S *	6/2020	Niakan	D15/5
D886,869 S *	6/2020	Niakan	D15/5
D899,461 S *	10/2020	Niakan	D15/5
D911,393 S *	2/2021	Niakan	D15/5
D917,568 S *	4/2021	Niakan	D15/5
D922,439 S *	6/2021	Niakan	D15/5
2019/0388819 A1 *	12/2019	Niakan	B01D 46/2411

* cited by examiner

Primary Examiner — Ania Aman

(74) *Attorney, Agent, or Firm* — Condo Roccia Koptiw LLP

(57) **CLAIM**

The ornamental design for an automotive air intake, as shown and described.

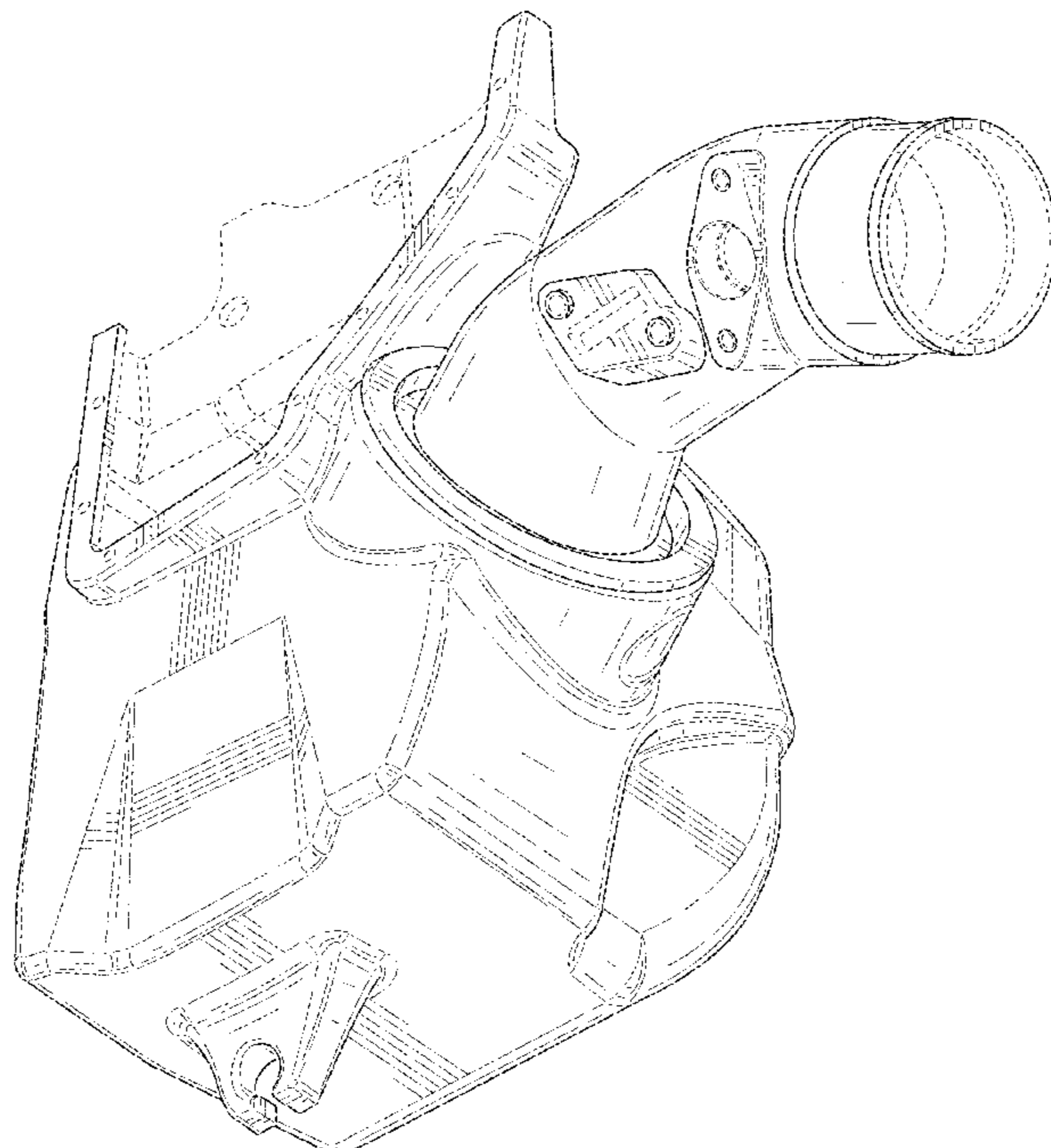
DESCRIPTION

FIG. 1 is a perspective view of the automotive air intake according to the present application;
FIG. 2 is a top view of FIG. 1;
FIG. 3 is a bottom view of FIG. 1;
FIG. 4 is a side view of FIG. 1;
FIG. 5 is a side view of FIG. 1;
FIG. 6 is a front view of FIG. 1; and,
FIG. 7 is a rear view of FIG. 1.

In the drawings, the broken lines depict unclaimed subject matter only and form no part of the claimed design. The shade line showing is included for the purpose of illustrating contour and not surface ornamentation.

1 Claim, 7 Drawing Sheets

- (56) **References Cited**
U.S. PATENT DOCUMENTS
D708,231 S * 7/2014 Niakan D15/5
D749,134 S * 2/2016 Niakan D15/5



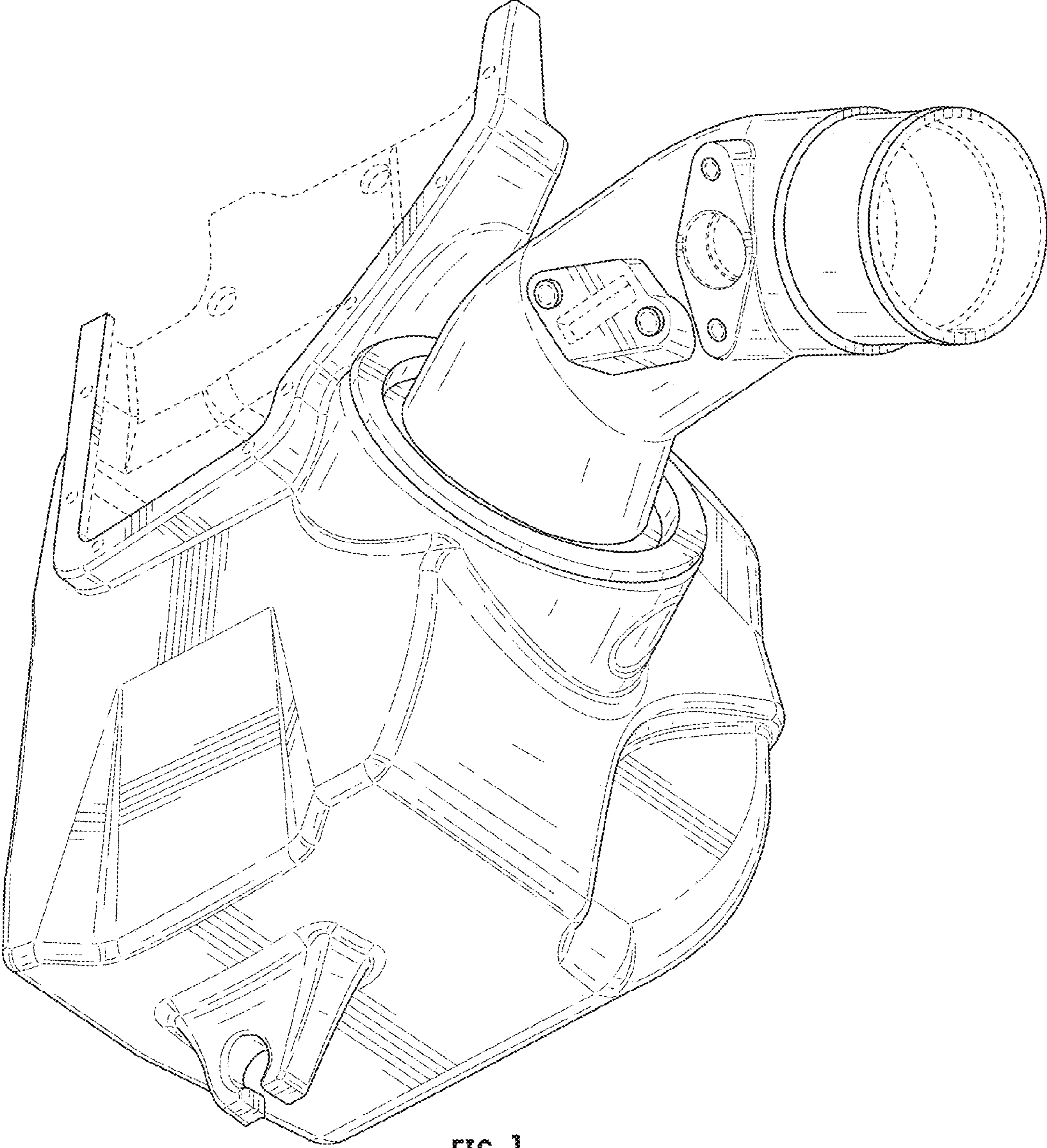


FIG. 1

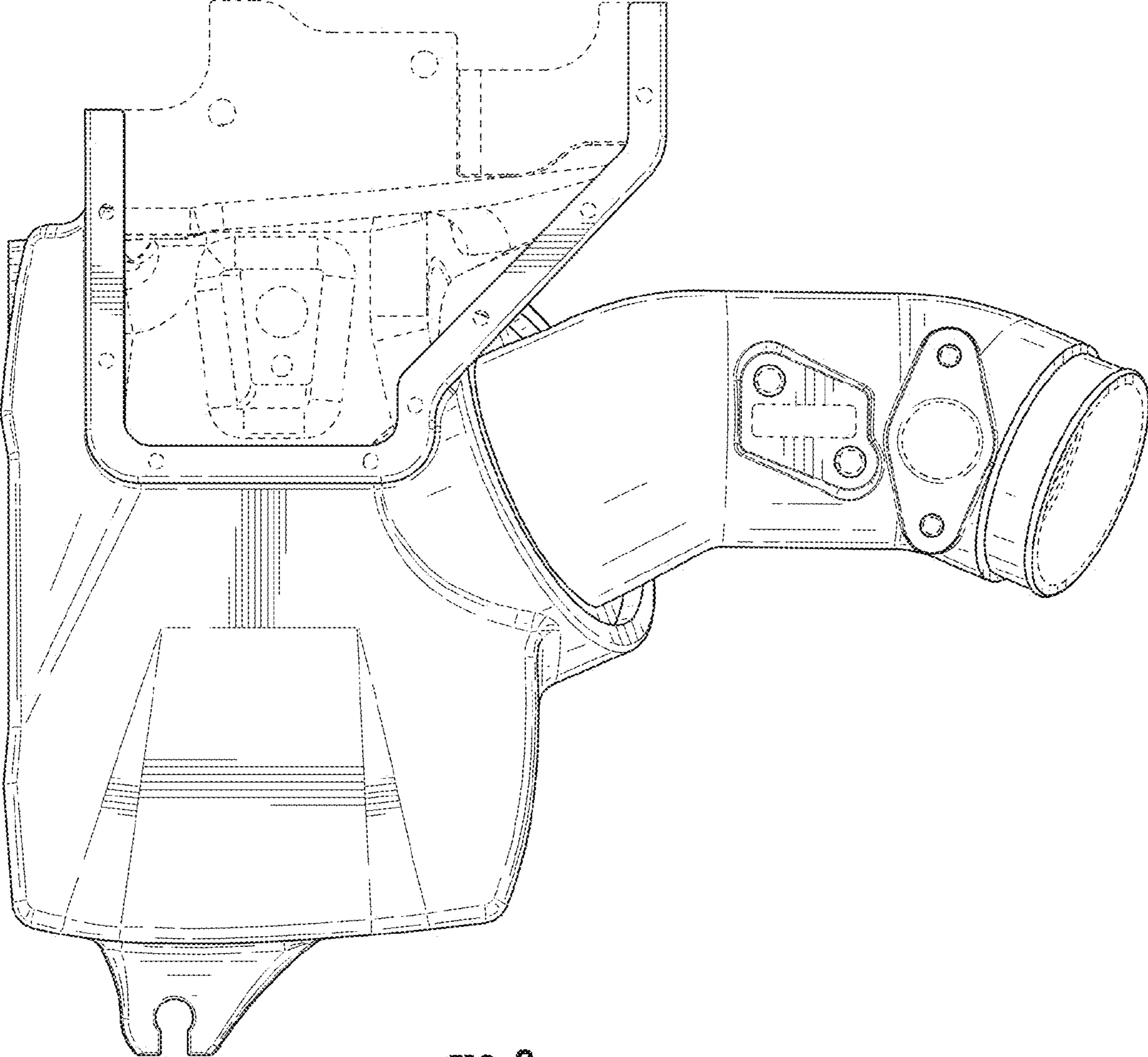


FIG. 2

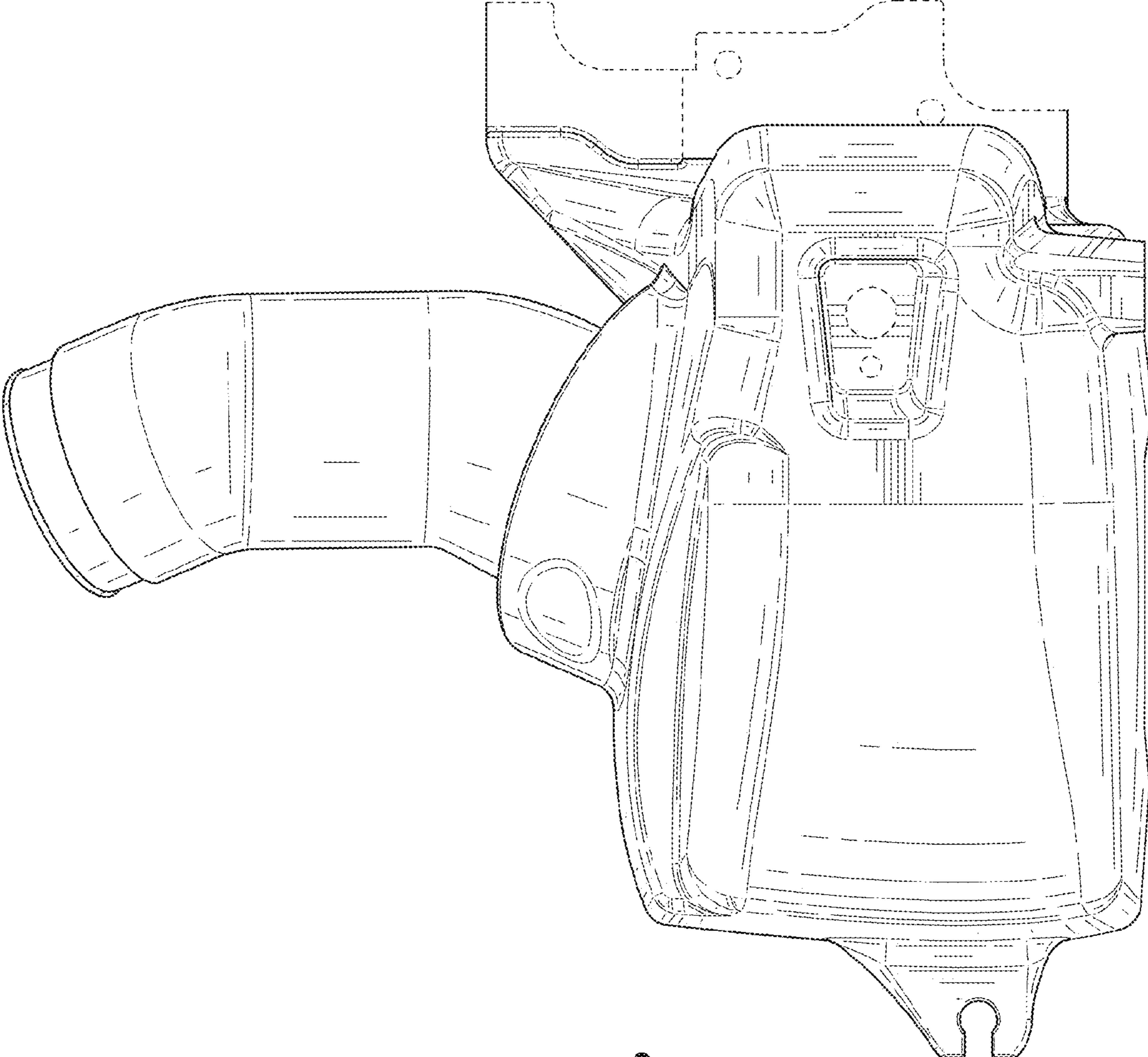


FIG. 3

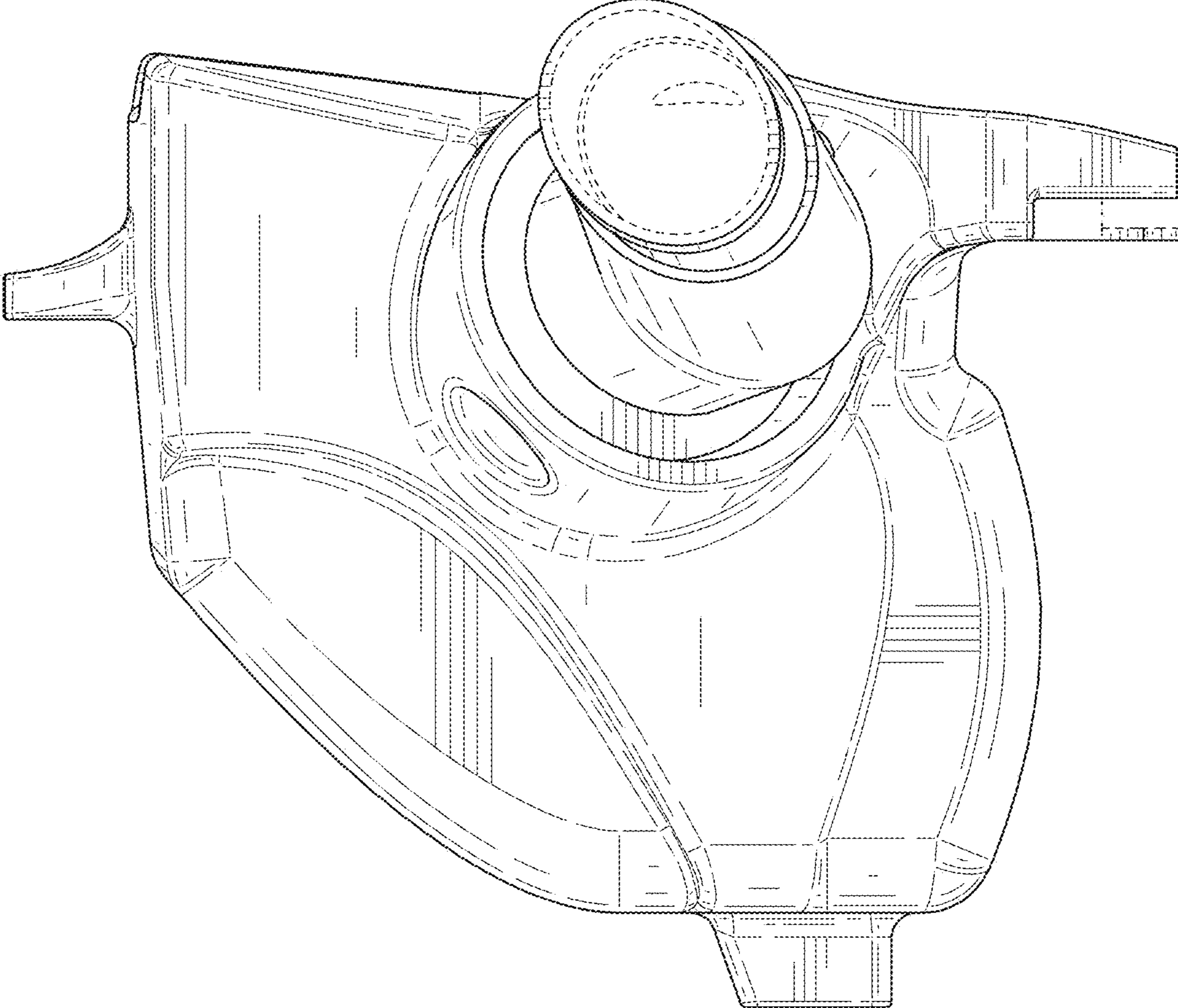


FIG. 4

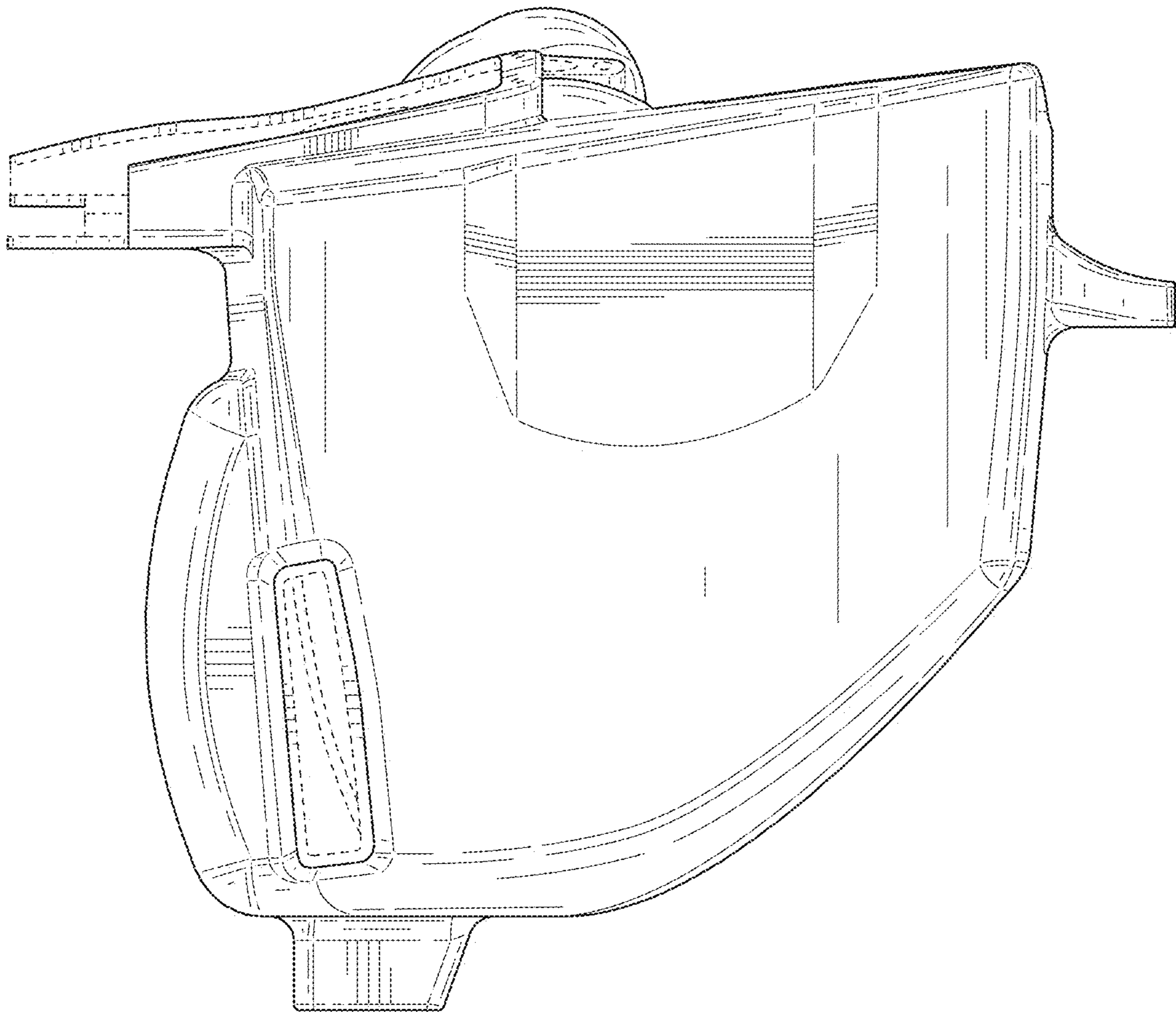


FIG. 5

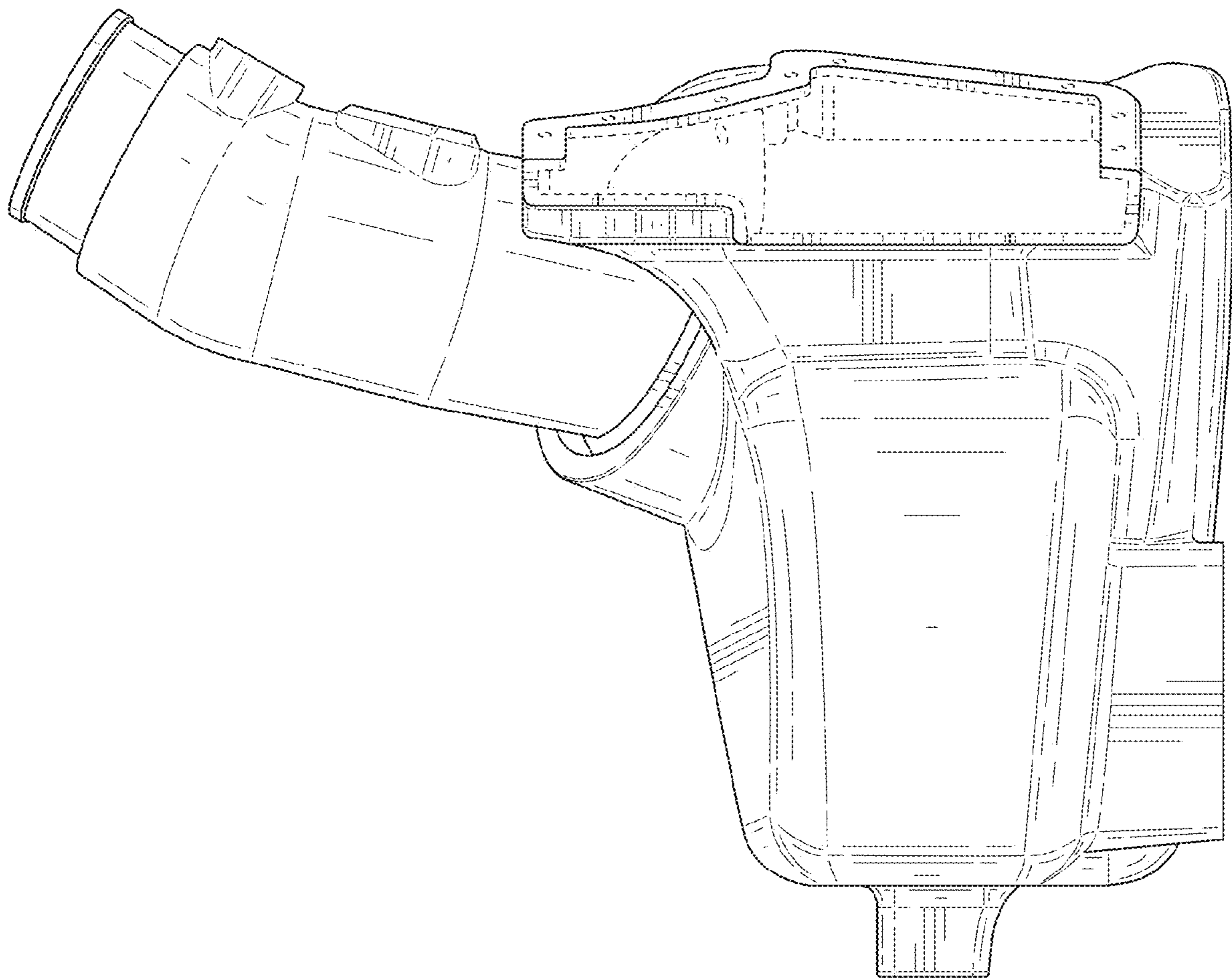


FIG. 6

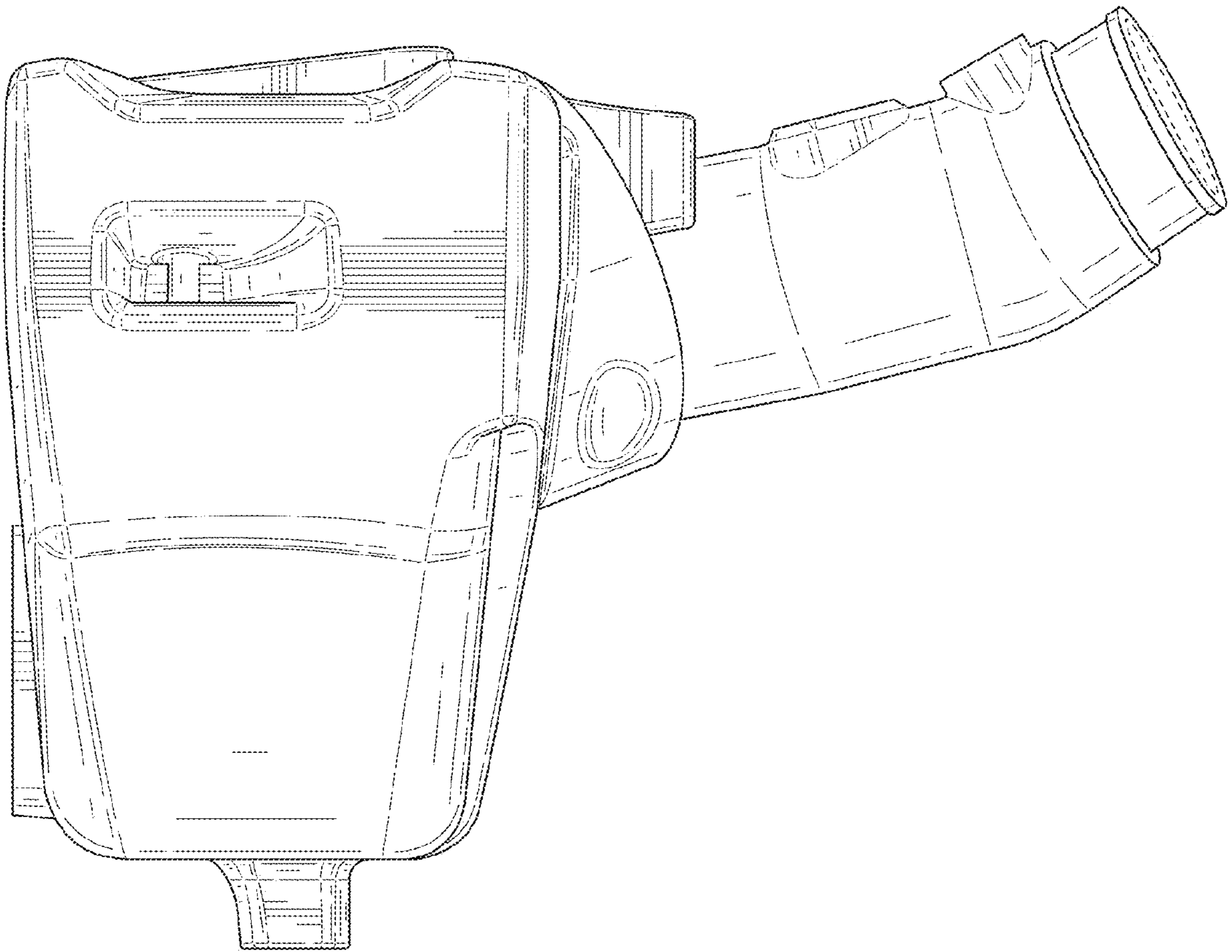


FIG. 7