



US00D975135S

(12) **United States Design Patent**
Murata et al.

(10) **Patent No.:** **US D975,135 S**
(45) **Date of Patent:** **** Jan. 10, 2023**

(54) **SEAL PLATE FOR ROTARY MACHINE**

(71) Applicant: **Mitsubishi Hitachi Power Systems, Ltd.**, Yokohama (JP)
(72) Inventors: **Masahiro Murata**, Yokohama (JP); **Eiichi Tsutsumi**, Yokohama (JP)
(73) Assignee: **MITSUBISHI HEAVY INDUSTRIES, LTD.**, Tokyo (JP)

(**) Term: **15 Years**

(21) Appl. No.: **29/670,869**

(22) Filed: **Nov. 20, 2018**

(30) **Foreign Application Priority Data**

May 23, 2018 (JP) 2018-011233
May 23, 2018 (JP) 2018-011234
May 23, 2018 (JP) 2018-011235

(51) **LOC (14) Cl.** **15-01**

(52) **U.S. Cl.**
USPC **D15/5; D15/138**

(58) **Field of Classification Search**
USPC D15/5, 138; D13/101, 112-115, 118, D13/122, 184
CPC F01D 11/00; F01D 11/006; F01D 5/081; F01D 5/3015; F01D 5/326
See application file for complete search history.

(56) **References Cited**

U.S. PATENT DOCUMENTS

D55,628 S * 7/1920 Mason D15/5
D59,397 S * 10/1921 Wilson D15/5
RE16,093 E * 6/1925 Wilson D15/143
(Continued)

FOREIGN PATENT DOCUMENTS

EP 1944472 A1 7/2008
FR 3020407 A1 10/2015
(Continued)

OTHER PUBLICATIONS

International Search Report and Written Opinion, dated Mar. 6, 2018, issued in International Application No. PCT/JP2017/044653 (14 pages; w/ English translation of ISR).

(Continued)

Primary Examiner — Michael C Stout
Assistant Examiner — Fritzgerald L Butac
(74) *Attorney, Agent, or Firm* — WHDA, LLP

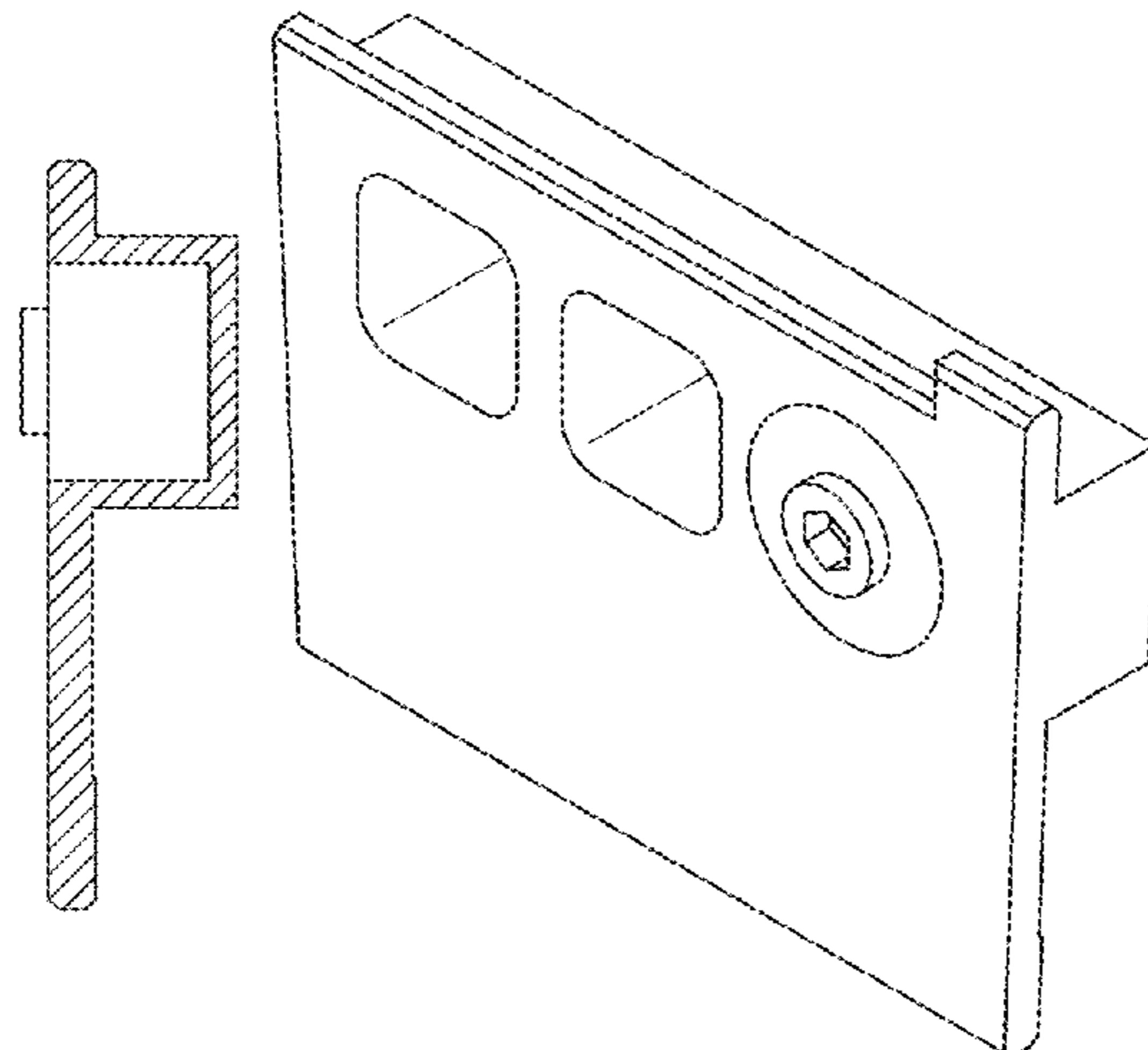
(57) **CLAIM**

The ornament design for a seal plate for rotary machine, as shown and described.

DESCRIPTION

FIG. 1 is a front view of a seal plate for rotary machine according to a first embodiment of our new design.
FIG. 2 is a rear view thereof.
FIG. 3 is a left side view thereof.
FIG. 4 is a right side view thereof.
FIG. 5 is a top view thereof.
FIG. 6 is a bottom view thereof.
FIG. 7 is a perspective view thereof.
FIG. 8 is a cross-section view taken along line 8-8 in FIG. 1.
FIG. 9 is a cross-section view taken along line 9-9 in FIG. 1.
FIG. 10 is a front view of a seal plate for rotary machine according to a second embodiment of our new design.
FIG. 11 is a rear view thereof.
FIG. 12 is a left side view thereof.
FIG. 13 is a right side view thereof.
FIG. 14 is a top view thereof.
FIG. 15 is a bottom view thereof; and,
FIG. 16 is a perspective view thereof.

1 Claim, 16 Drawing Sheets



(56)

References Cited

U.S. PATENT DOCUMENTS

3,501,249 A * 3/1970 Scalzo F01D 5/081
416/193 A
3,572,966 A * 3/1971 Borden F01D 5/081
415/177
3,748,060 A * 7/1973 Hugoson F01D 5/3015
416/193 A
D243,714 S * 3/1977 Younger D15/5
4,279,572 A * 7/1981 Auriemma F01D 5/323
416/220 R
D353,768 S * 12/1994 Hayes D9/439
D390,825 S * 2/1998 Chen D13/184
D516,088 S * 2/2006 Kortyna D15/7
D556,214 S * 11/2007 Fretwell D15/5
D628,607 S * 12/2010 Irion D15/138
D841,695 S * 2/2019 Pirollo D15/5
D875,682 S * 2/2020 Joutsiniemi D13/115
D917,587 S * 4/2021 Sauter D15/138
D934,929 S * 11/2021 Kremerman D15/138
D940,212 S * 1/2022 Meron D15/138
2006/0073021 A1 * 4/2006 Garner F01D 5/323
416/220 R
2008/0008593 A1 * 1/2008 Zagar F01D 5/3015
416/220 R
2008/0173062 A1 * 7/2008 Brucher B21D 39/02
29/889.22
2013/0294927 A1 * 11/2013 Dimmick, III F01D 11/006
29/525.01
2015/0369062 A1 * 12/2015 Tanaka F01D 5/081
29/889.21

FOREIGN PATENT DOCUMENTS

GB 2258273 A 2/1993
JP S46-11683 B1 3/1971
JP S48-37530 A 6/1973
JP S48-25686 B1 7/1973
JP S61-51406 U 4/1986
JP 2007-32282 A 2/2007
JP 2008-106765 A 5/2008
JP 2013-234659 A 11/2013
JP 2014-185552 A 10/2014
WO 2014/148566 A1 9/2014
WO 2015/129580 A1 9/2015

OTHER PUBLICATIONS

International Search Report and Written Opinion, dated Jan. 23,
2018, issued in International Application No. PCT/JP2017/044657
(19 pages; w/ English translation of ISR).
International Search Report and Written Opinion, dated Jan. 30,
2018, issued in International Application No. PCT/JP2017/044664
(11 pages; w/ English translation of ISR).
* cited by examiner

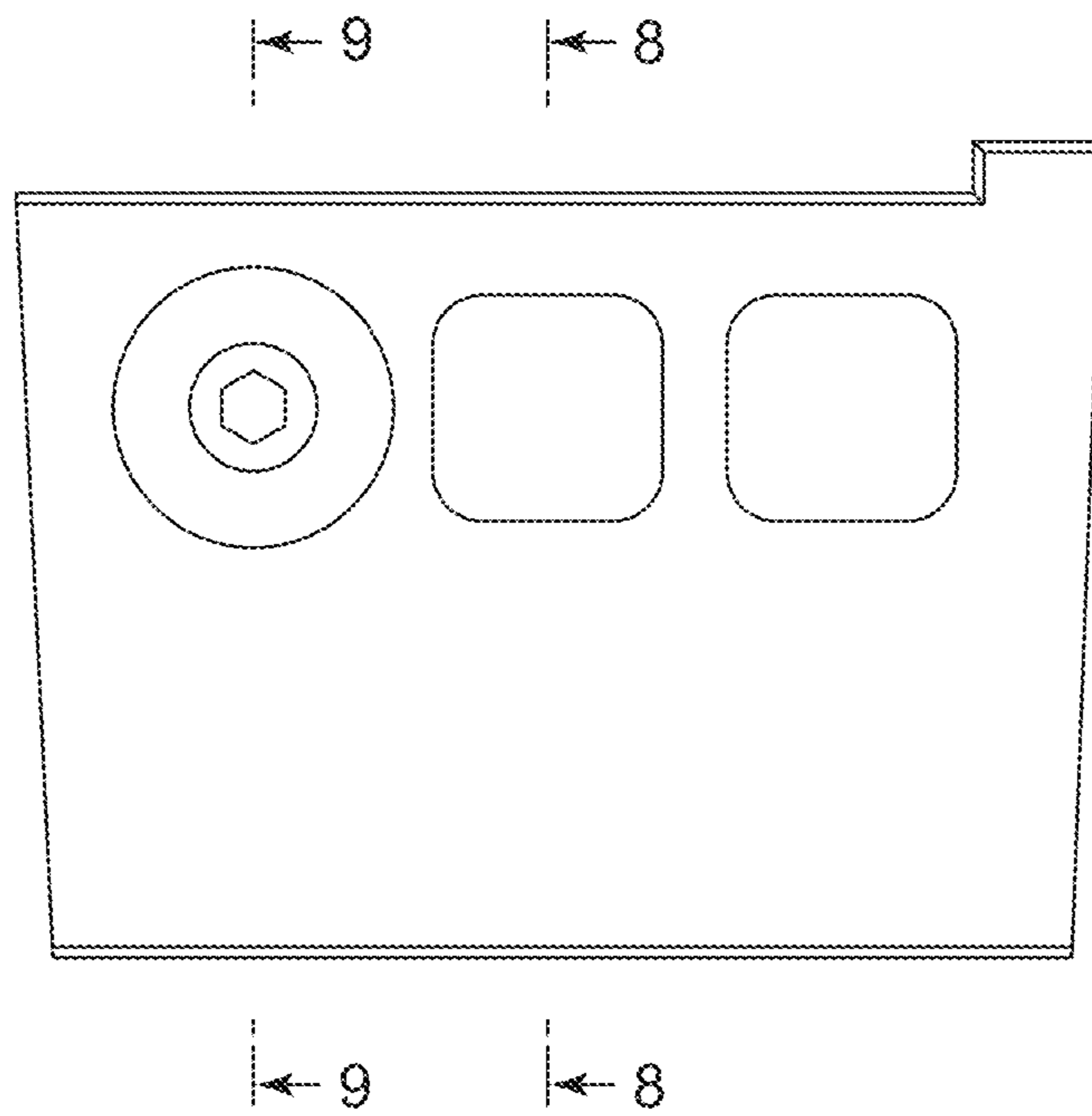


FIG. 1

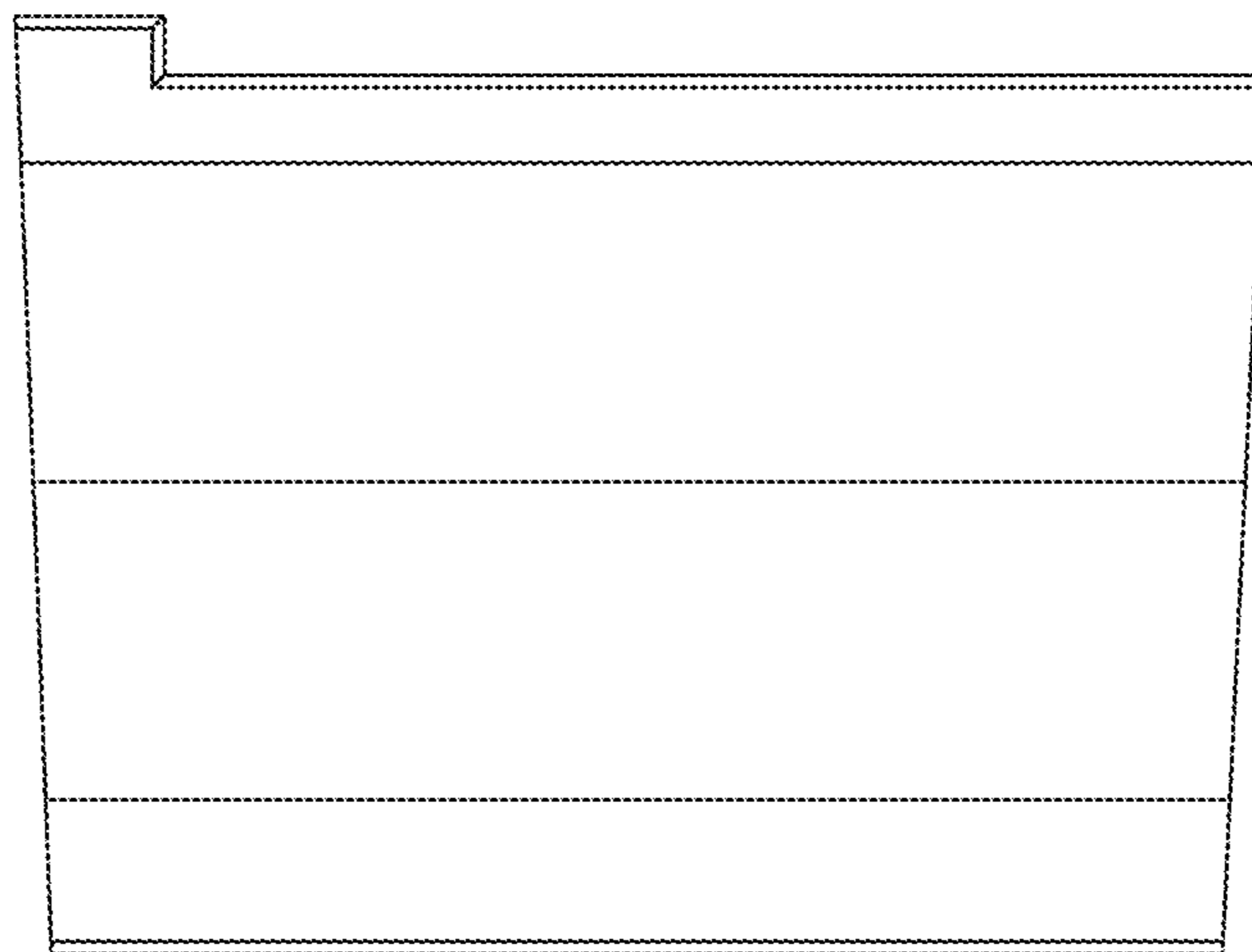


FIG. 2

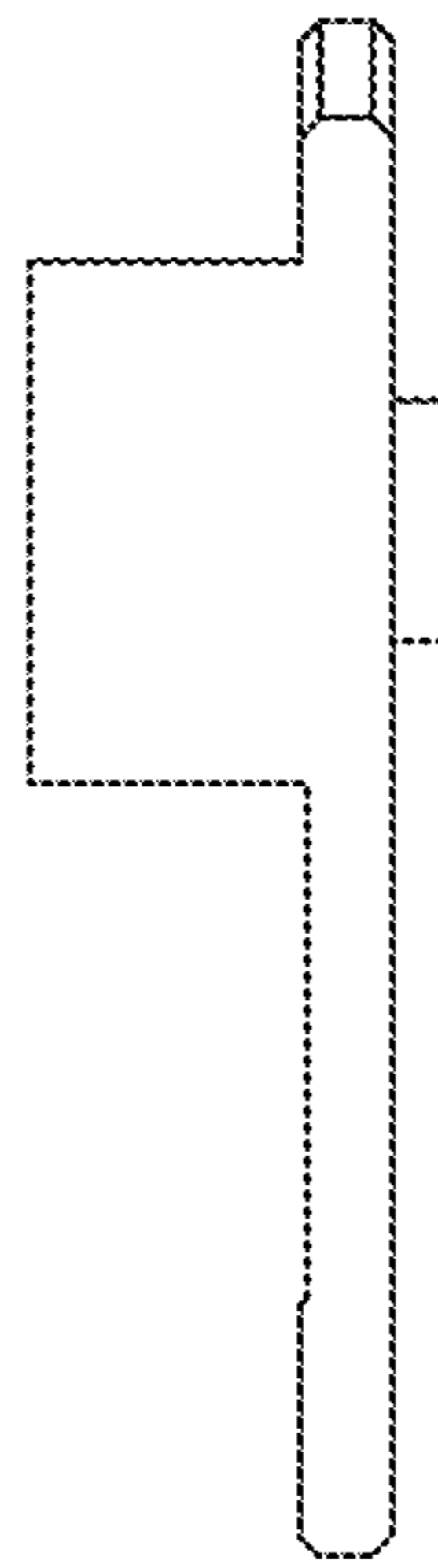


FIG. 3

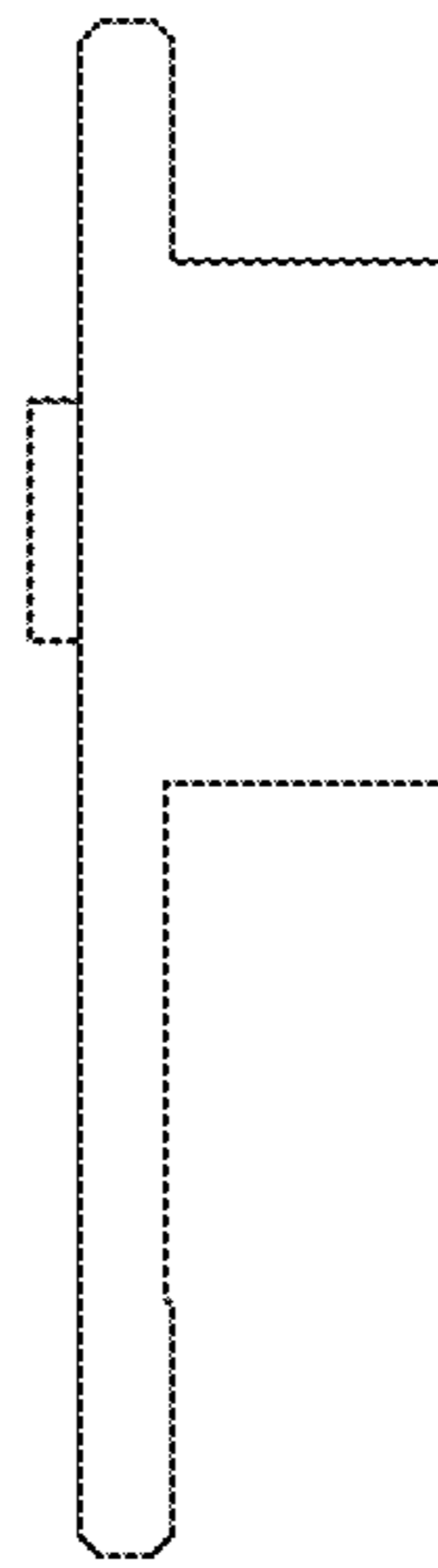


FIG. 4

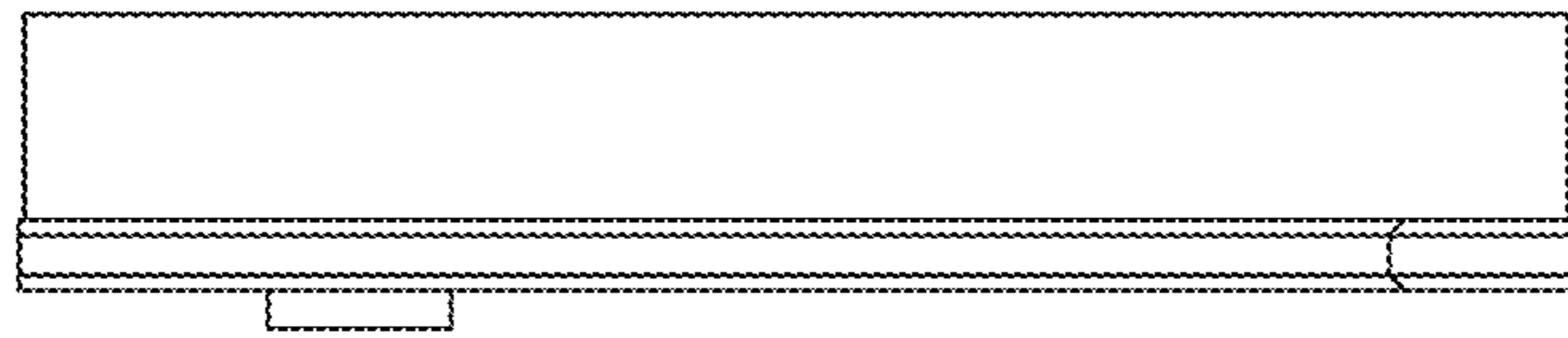


FIG. 5

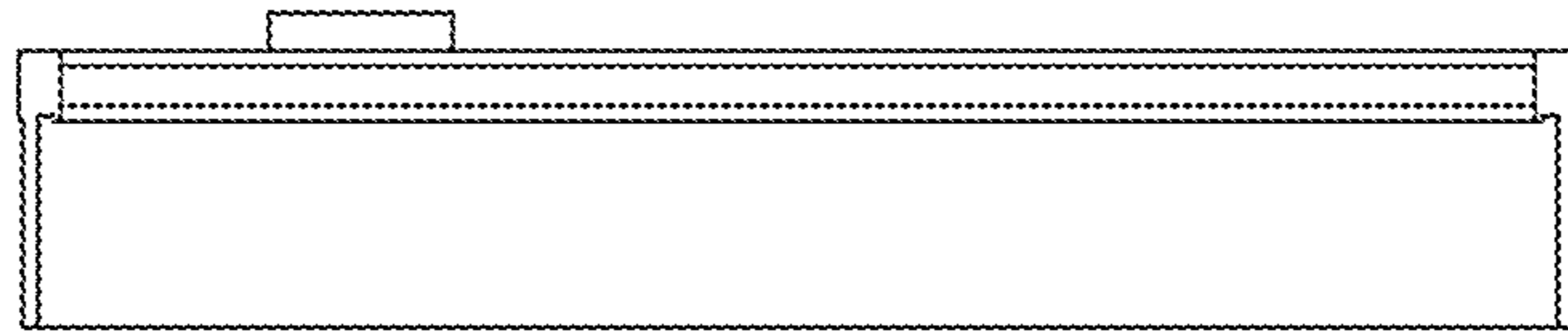


FIG. 6

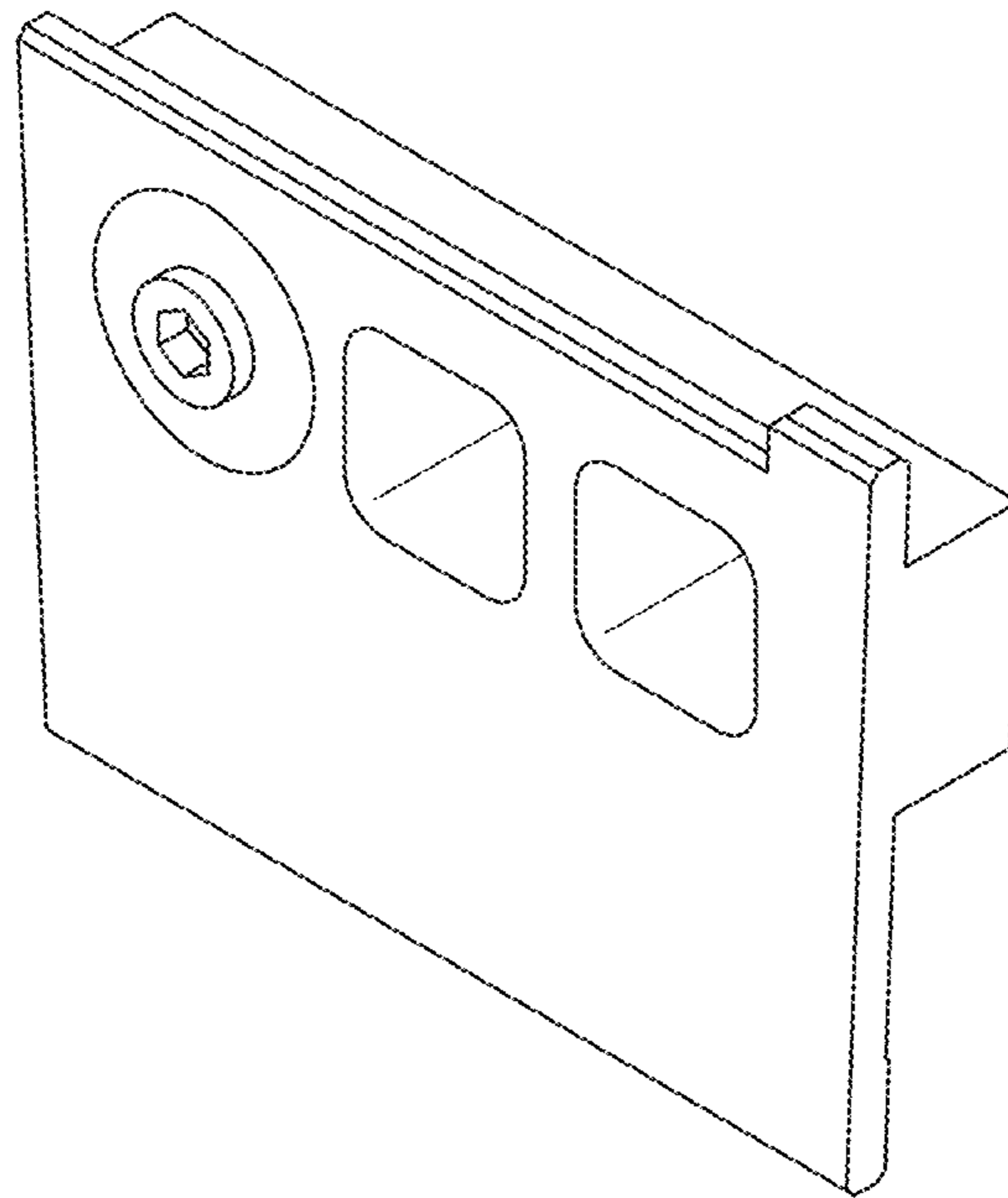


FIG. 7

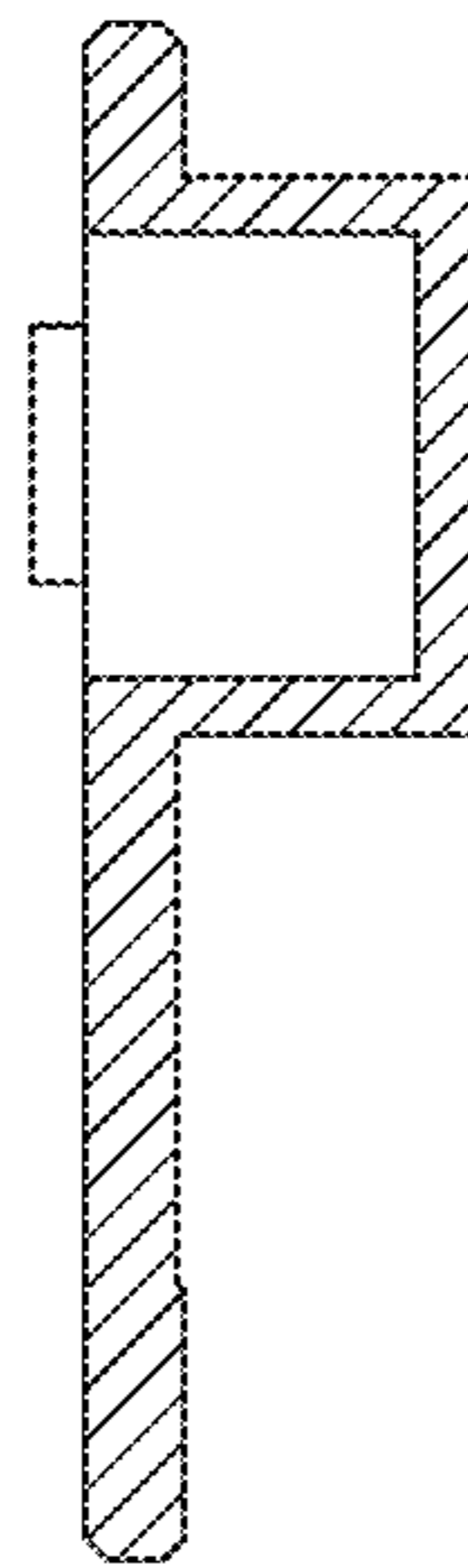


FIG. 8

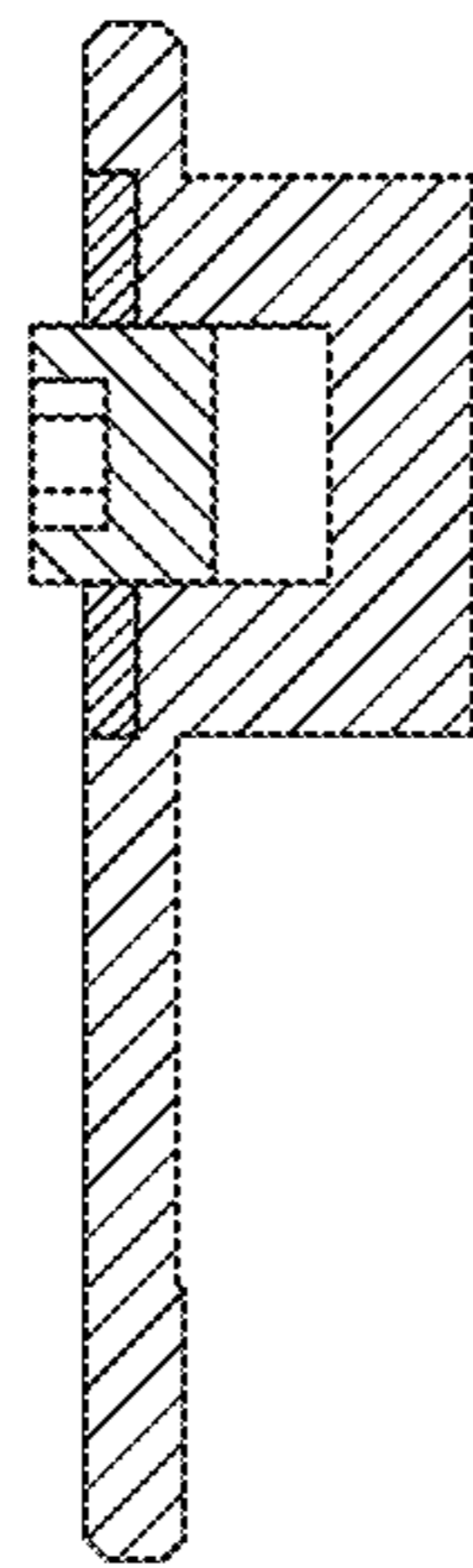


FIG. 9

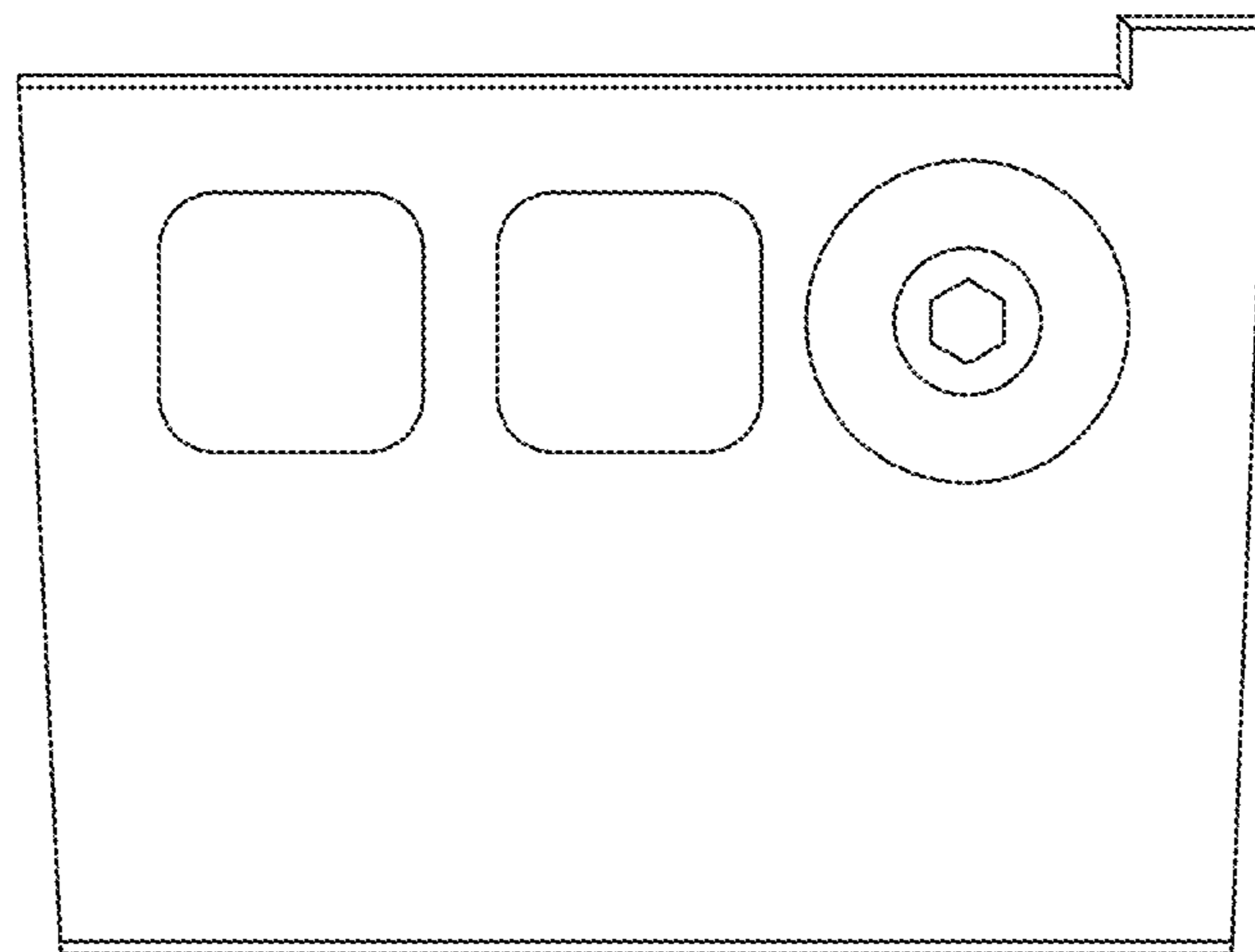


FIG. 10

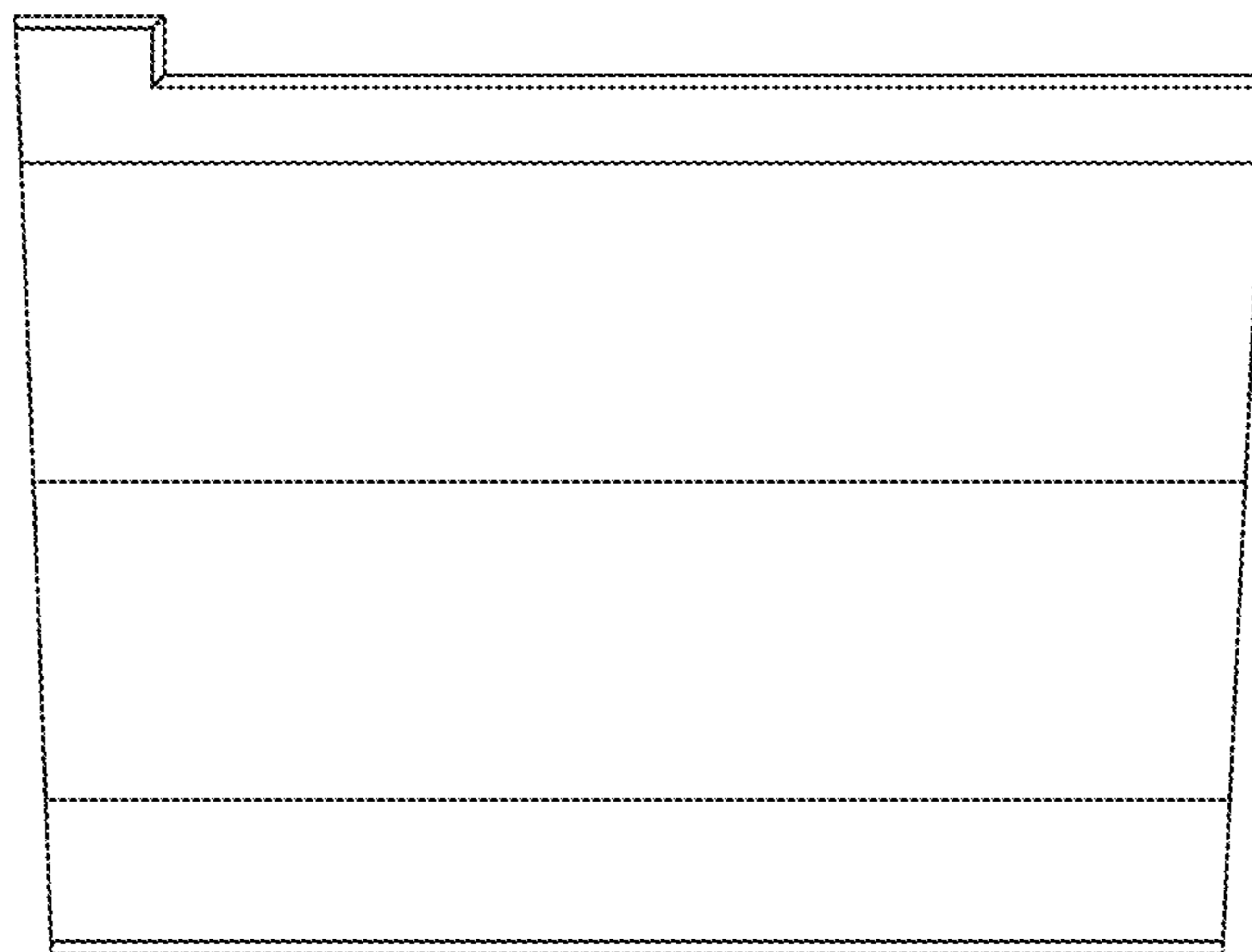


FIG. 11

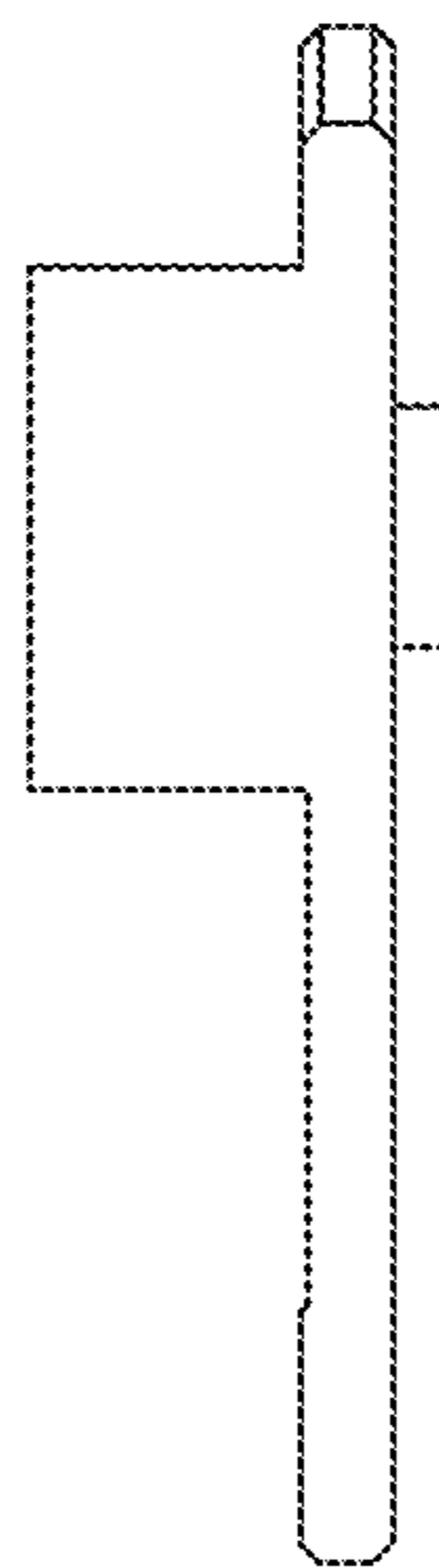


FIG. 12

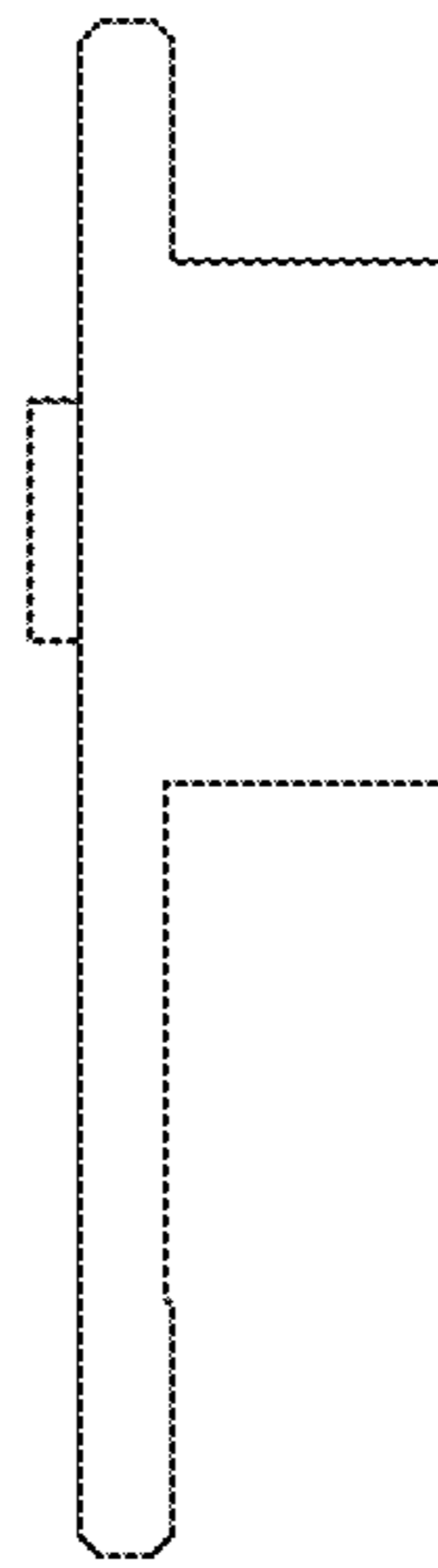


FIG. 13

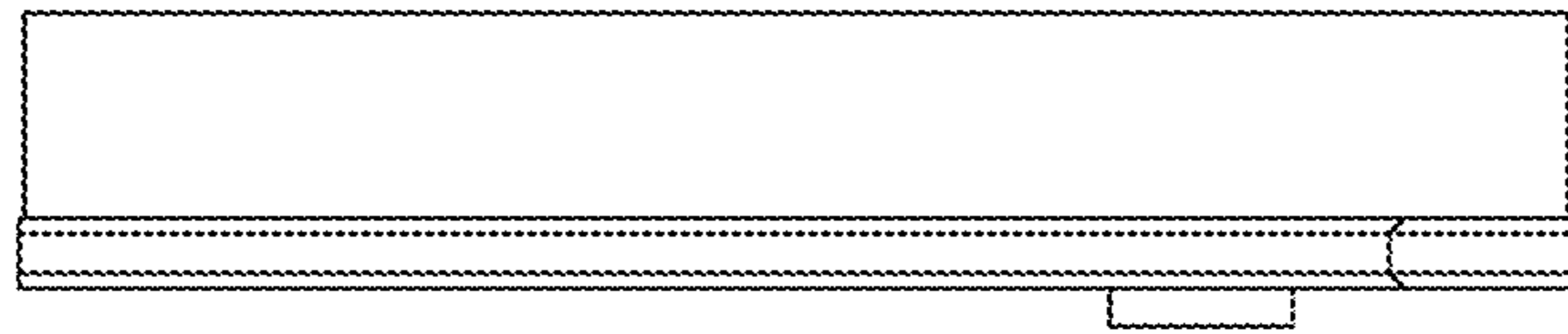


FIG. 14

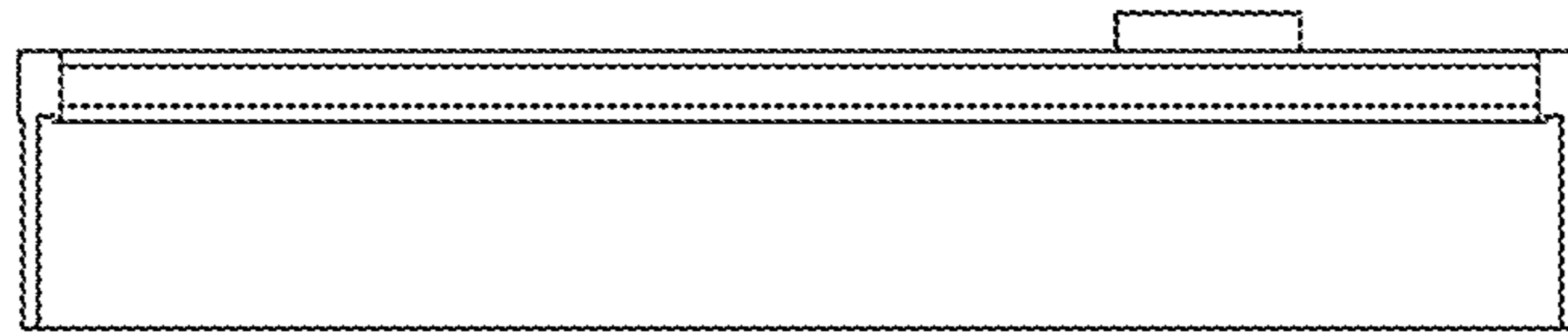


FIG. 15

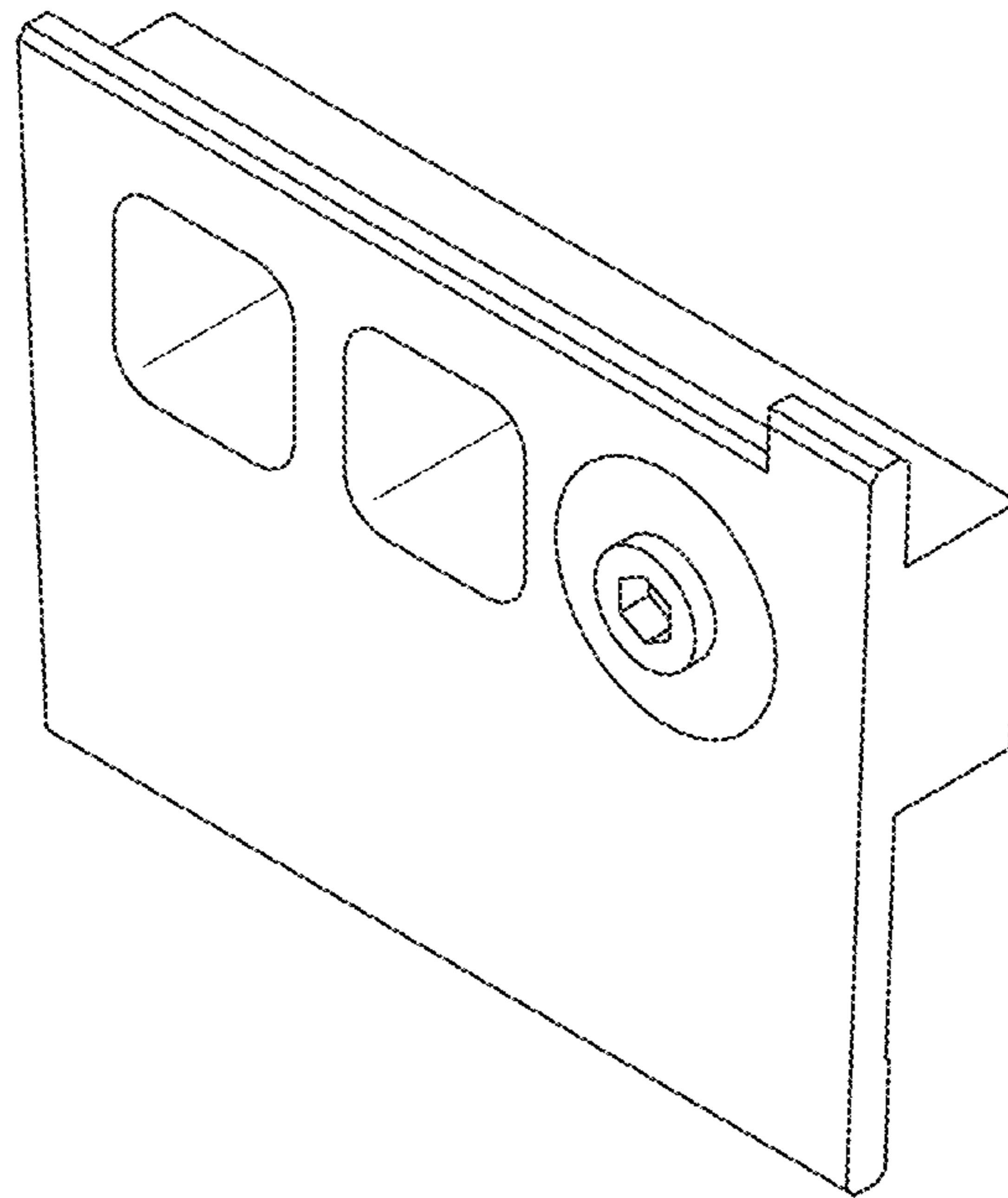


FIG. 16