



US00D975132S

(12) **United States Design Patent**  
**Jansen et al.**

(10) **Patent No.:** **US D975,132 S**  
(45) **Date of Patent:** **\*\* Jan. 10, 2023**

(54) **DISPLAY SCREEN OR PORTION THEREOF WITH ANIMATED GRAPHICAL USER INTERFACE**

*Primary Examiner* — Katherine A Holbrow  
*Assistant Examiner* — Christopher M Spivey

(71) Applicant: **KONINKLIJKE PHILIPS N.V.**,  
Eindhoven (NL)

(57) **CLAIM**

(72) Inventors: **Johannes Antonius Jansen**, Utrecht (NL); **Riccardo Vescovo**, Amsterdam (NL)

The ornamental design for a display screen or portion thereof with animated graphical user interface, as shown and described.

(73) Assignee: **KONINKLIJKE PHILIPS N.V.**,  
Eindhoven (NL)

(\*\*) Term: **15 Years**

**DESCRIPTION**

(21) Appl. No.: **29/836,292**

(22) Filed: **Apr. 26, 2022**

**Related U.S. Application Data**

(62) Division of application No. 29/726,208, filed on Mar. 2, 2020, now Pat. No. Des. 952,678.

(30) **Foreign Application Priority Data**

Sep. 2, 2019 (EM) ..... 006807731

(51) **LOC (14) Cl.** ..... **14-04**

(52) **U.S. Cl.**  
USPC ..... **D14/489**

(58) **Field of Classification Search**  
USPC ..... D14/485–495

(Continued)

(56) **References Cited**

**U.S. PATENT DOCUMENTS**

D624,928 S \* 10/2010 Agnetta ..... D14/487

D680,168 S \* 4/2013 Ahmad ..... D19/10

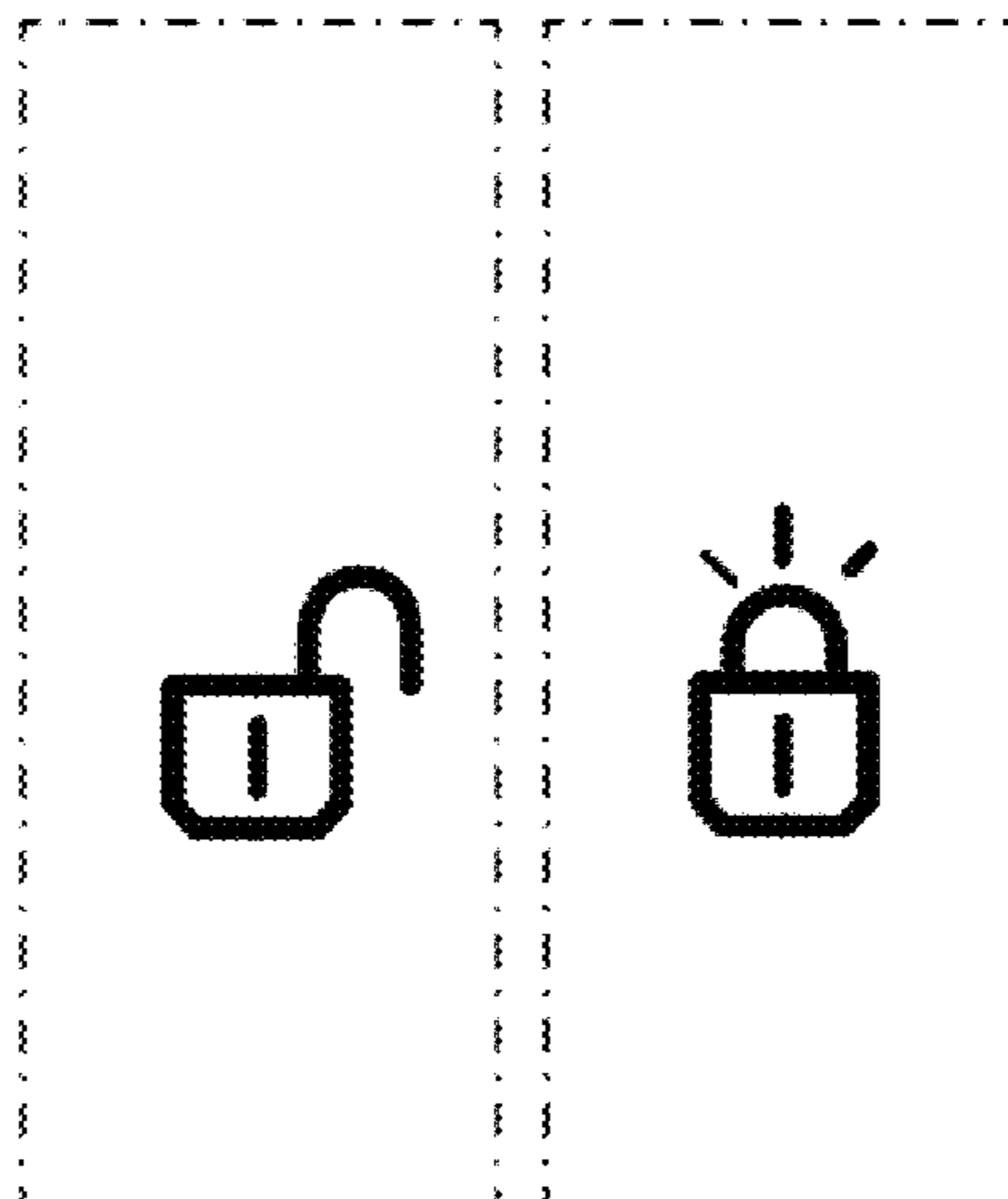
(Continued)

**OTHER PUBLICATIONS**

“Lock” 2016, MakeaGif, site visited Aug. 23, 2022: [https://makeagif.com/gif/lock-\\_1eH\\_6?origin=user&source=doedsbobs&order=popular&page=1&position=1](https://makeagif.com/gif/lock-_1eH_6?origin=user&source=doedsbobs&order=popular&page=1&position=1) (Year: 2016).\*

(Continued)

**1 Claim, 9 Drawing Sheets**



(58) **Field of Classification Search**

CPC ... H04W 12/06; H04M 1/72469; G06F 21/32;  
 G06F 21/36; G06F 3/04817; G06F  
 3/0482; G06F 3/0483; G06F 3/04842;  
 G06F 3/04886; G06F 3/04847; G06F  
 2221/031; G06F 2221/032

See application file for complete search history.

(56) **References Cited**

U.S. PATENT DOCUMENTS

D727,358 S \* 4/2015 Park ..... D14/494  
 D752,061 S \* 3/2016 Ahn ..... D14/485  
 D761,310 S \* 7/2016 Brinda ..... D14/491  
 D781,343 S \* 3/2017 Riha ..... D14/492  
 D792,885 S \* 7/2017 Zhang ..... D14/440  
 D810,762 S \* 2/2018 Guérimand ..... D14/486  
 D826,984 S \* 8/2018 Gatts ..... D14/492  
 D836,162 S \* 12/2018 Sippola ..... D19/9  
 D851,126 S \* 6/2019 Tauban ..... D14/492  
 D851,127 S \* 6/2019 Tauban ..... D14/492  
 D904,424 S \* 12/2020 Hansen ..... D14/492  
 D916,790 S \* 4/2021 Yan ..... D14/486  
 D917,557 S \* 4/2021 Cody ..... D14/485  
 D921,027 S \* 6/2021 Dutruel ..... D14/486  
 D941,351 S \* 1/2022 Park ..... D14/488

D952,678 S \* 5/2022 Jansen ..... D14/489  
 D953,347 S \* 5/2022 Luo ..... D14/485  
 D956,793 S \* 7/2022 Roy ..... D14/491  
 D956,795 S \* 7/2022 Roy ..... D14/491  
 D958,837 S \* 7/2022 Kobayashi ..... D14/492  
 2012/0297469 A1\* 11/2012 Reeder ..... H04L 9/3297  
 726/7  
 2013/0063380 A1\* 3/2013 Wang ..... G06F 3/04883  
 345/173  
 2013/0150128 A1\* 6/2013 Tsunoda ..... G06F 3/04883  
 455/566  
 2013/0346921 A1\* 12/2013 Shiplacoff ..... H04M 1/67  
 715/835  
 2014/0317724 A1\* 10/2014 Hicks ..... G06F 21/36  
 726/19  
 2019/0050925 A1\* 2/2019 Hodge ..... G06F 3/0482

OTHER PUBLICATIONS

“The Bulb Gibraltar” Sep. 1, 2020, Giphy, site visited Aug. 18, 2022: <https://giphy.com/stickers/thebulb-the-bulb-thebulbgibraltar-fr40fSaQYUwnRjkTh4> (Year: 2020).\*

Naive, Diego “Padlock” Mar. 14, 2015, TheNounProject, site visited Aug. 23, 2022: <https://thenounproject.com/icon/padlock-124297/> (Year: 2015).\*

\* cited by examiner

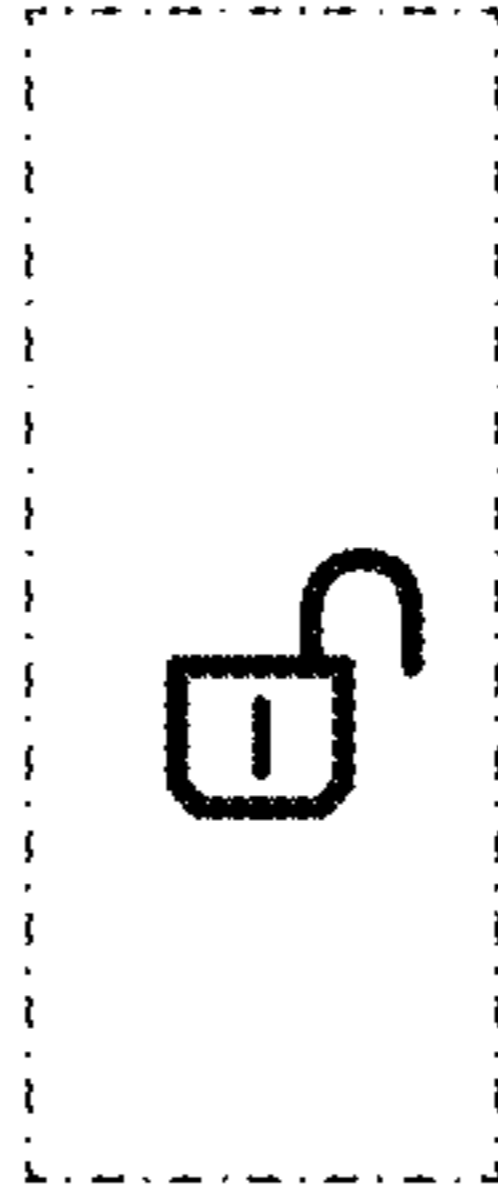


FIG. 1

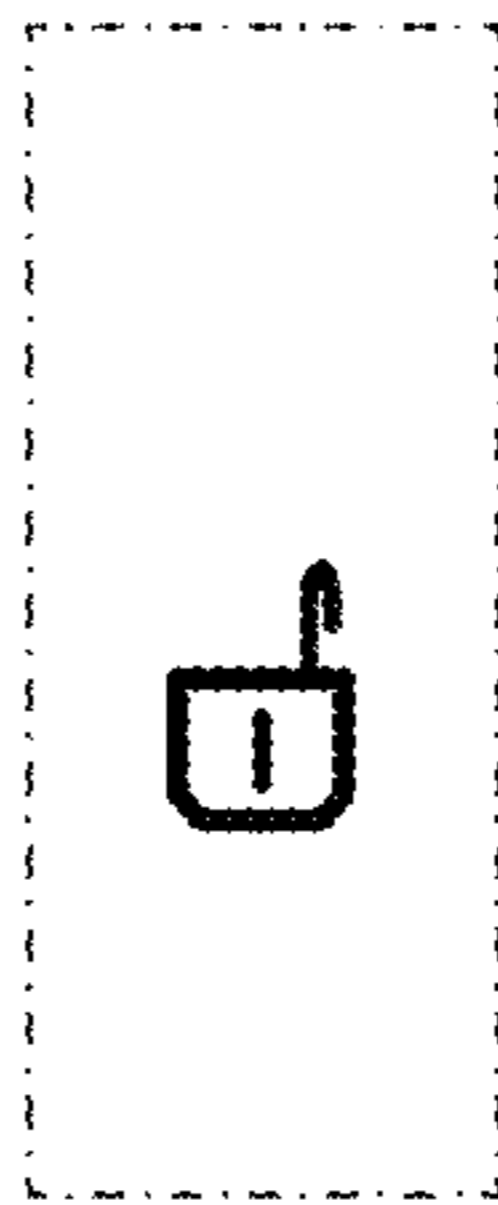


FIG. 2

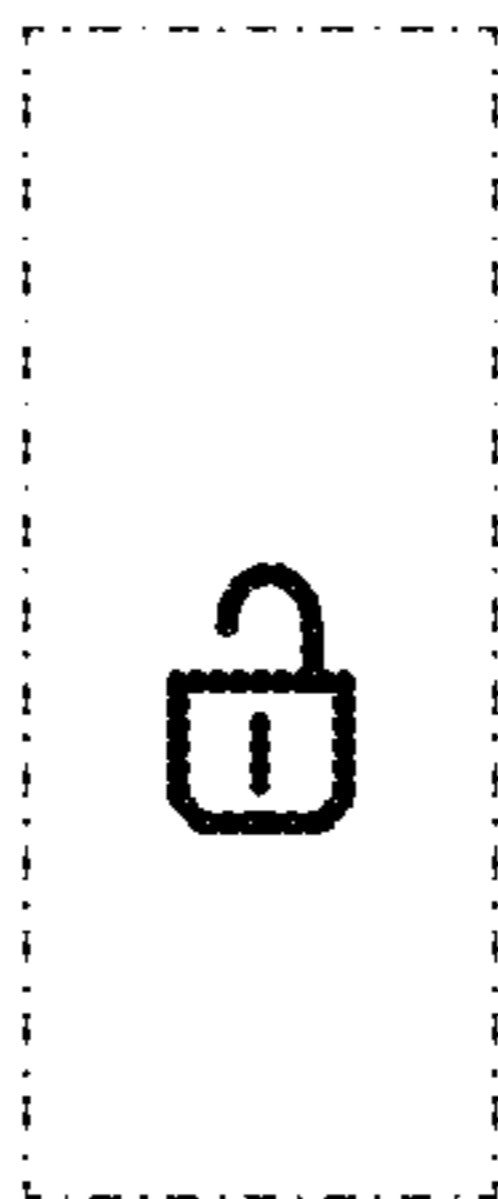


FIG. 3

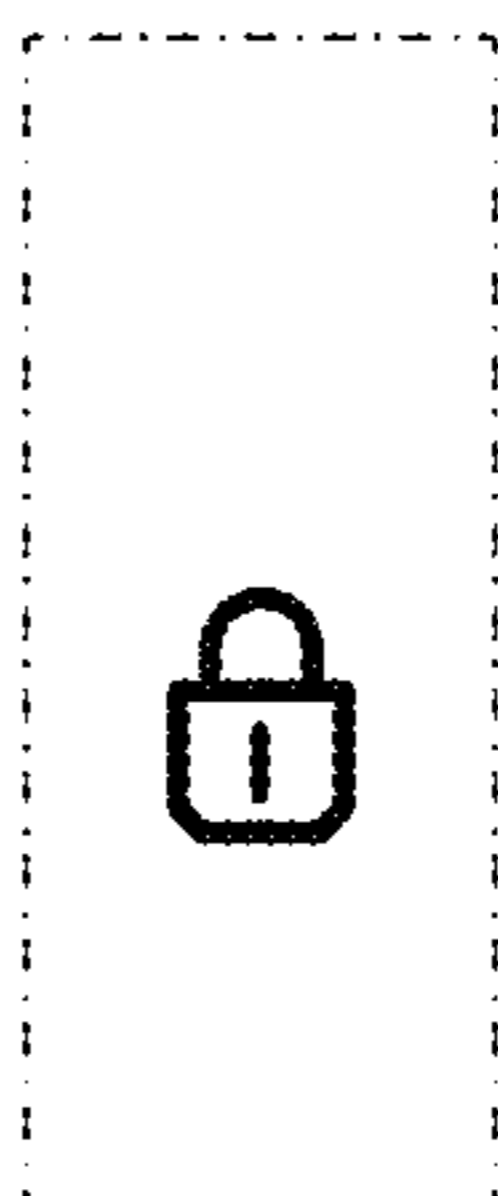


FIG. 4

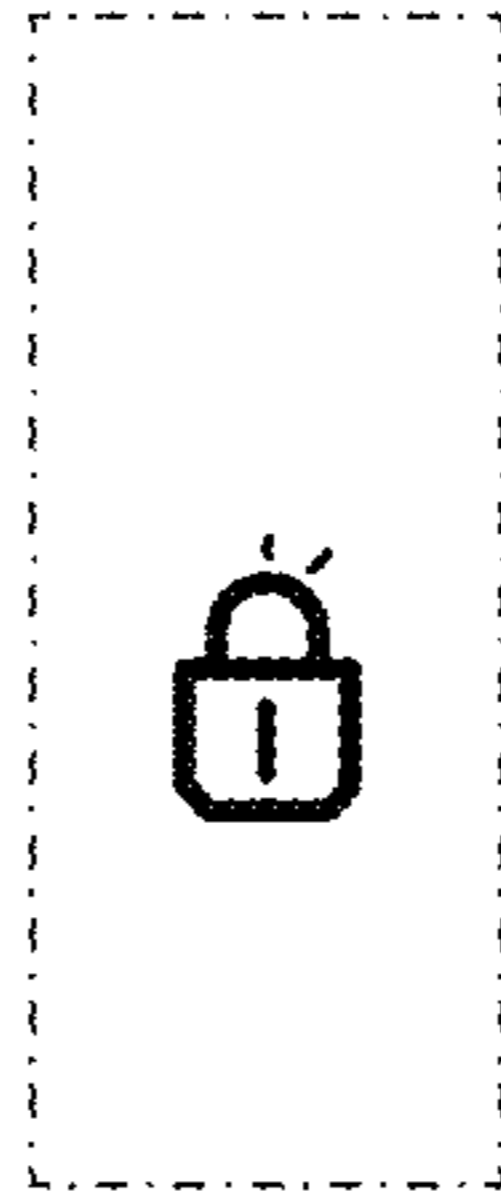


FIG. 5

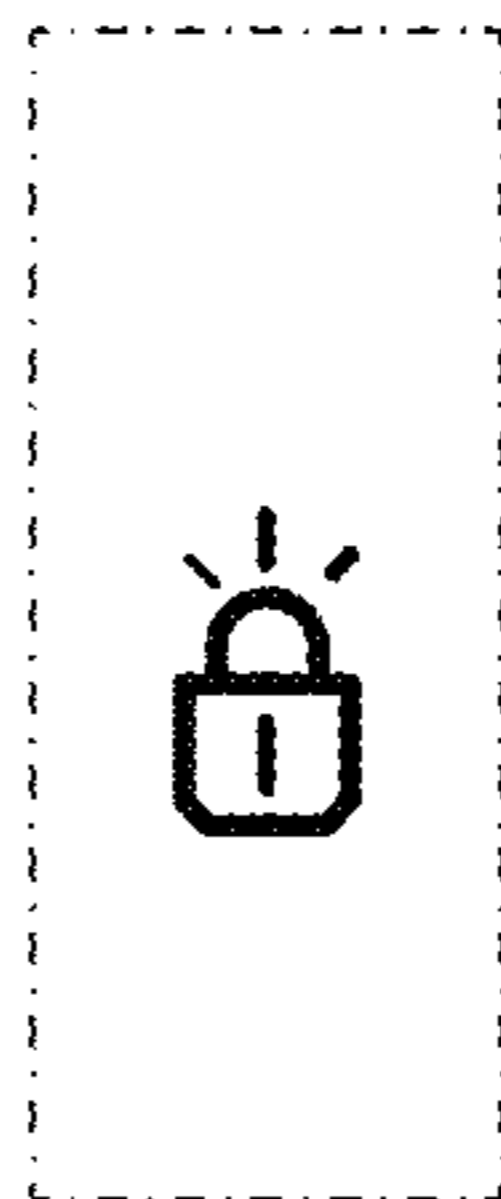


FIG. 6

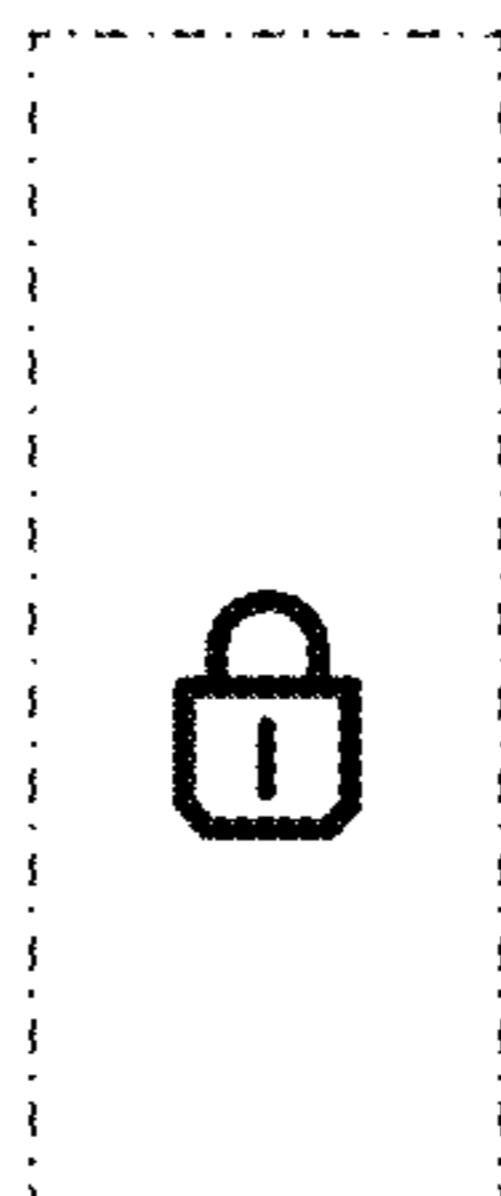


FIG. 7

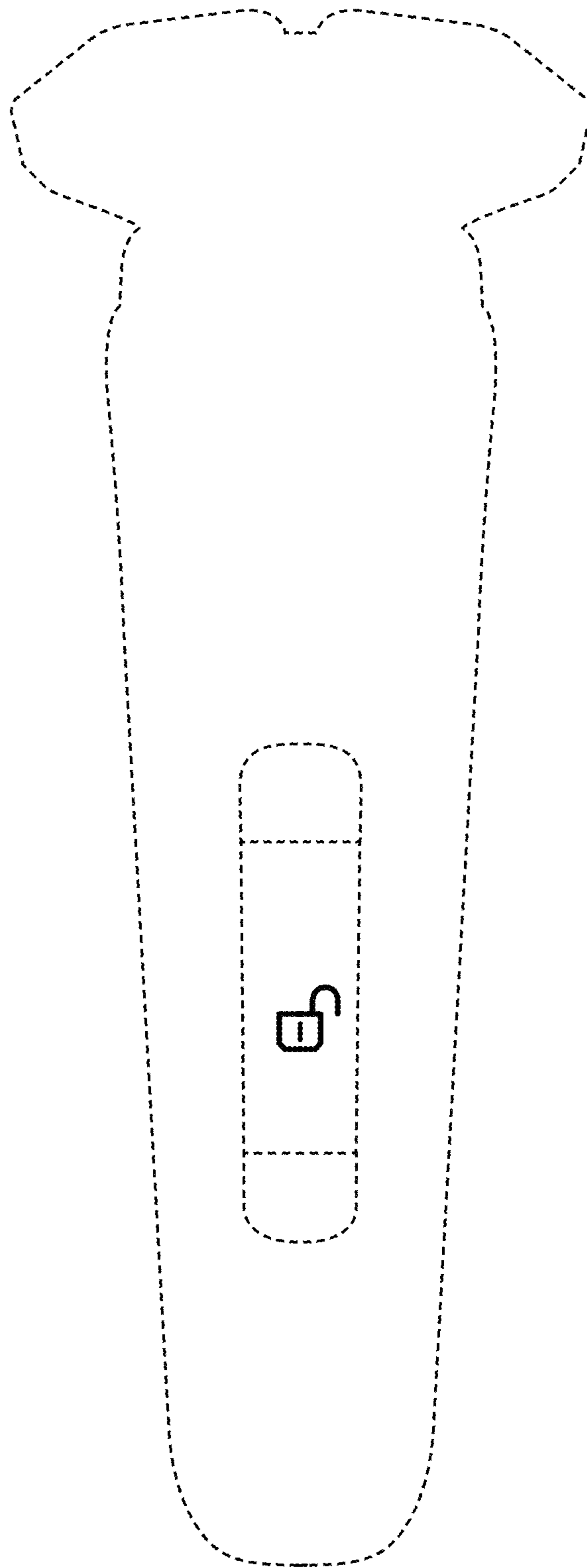


FIG. 8

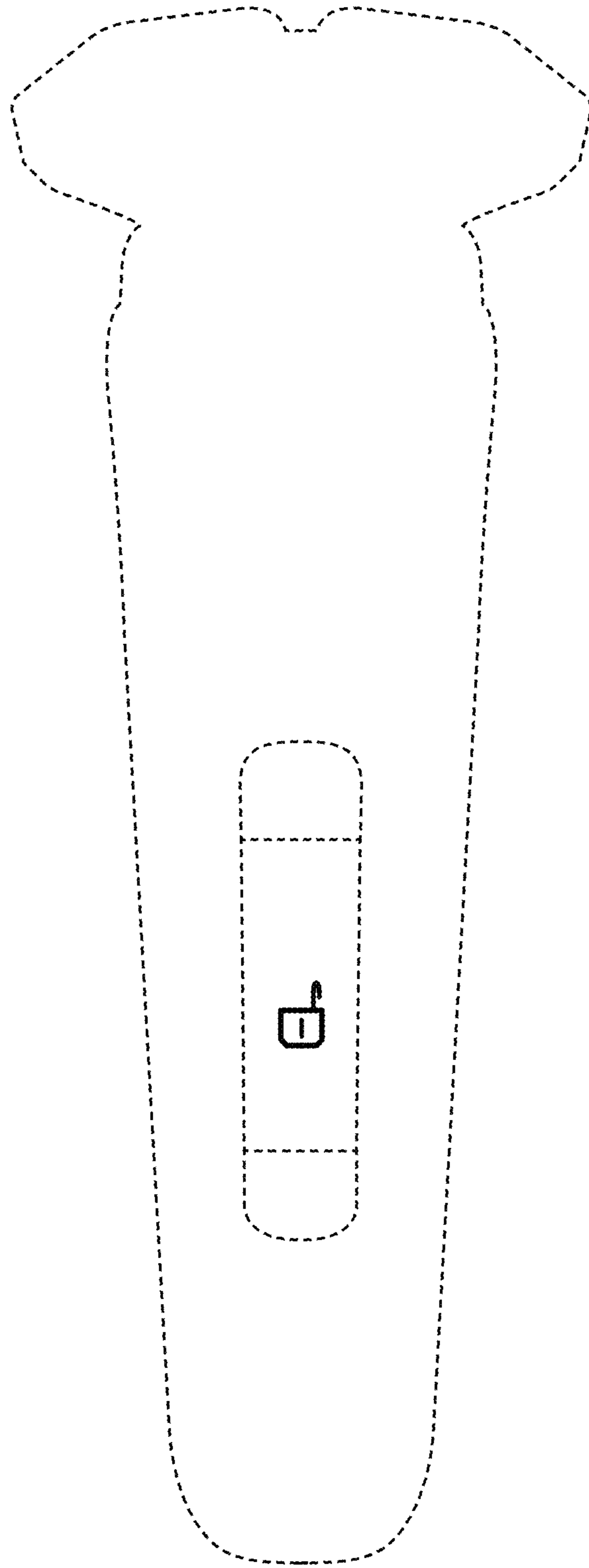


FIG. 9

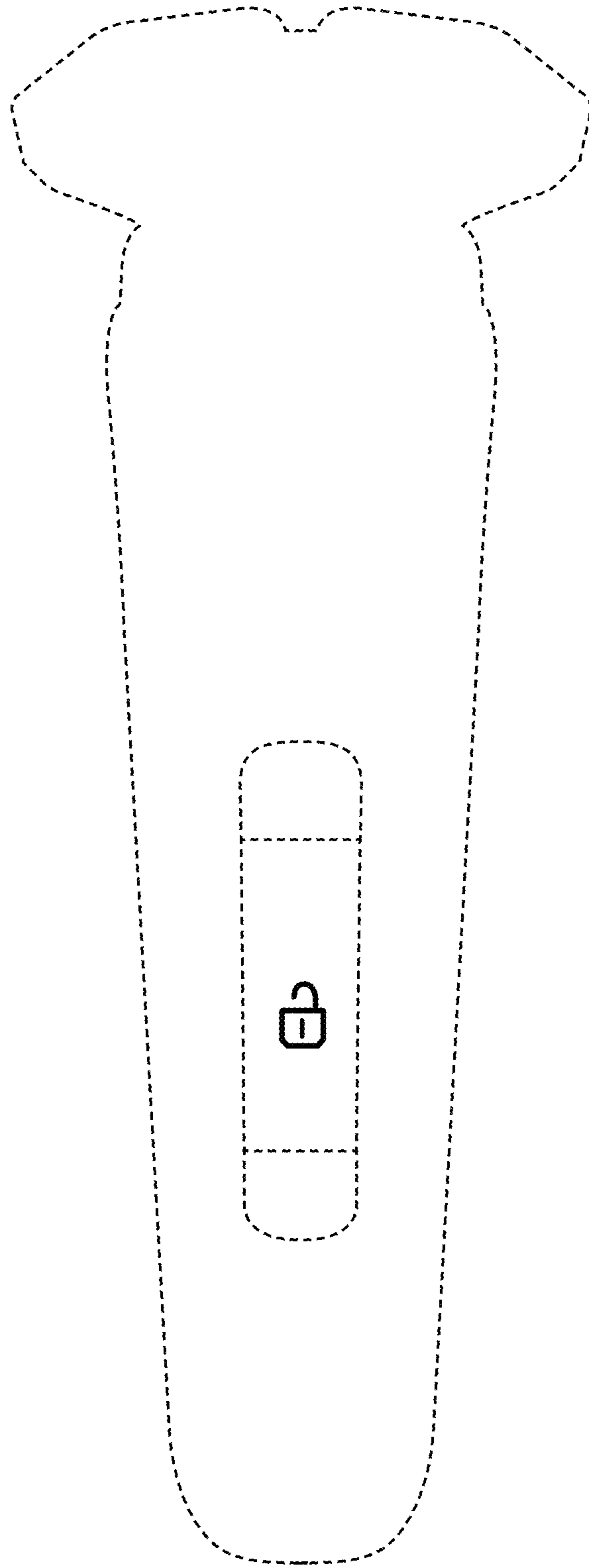


FIG. 10

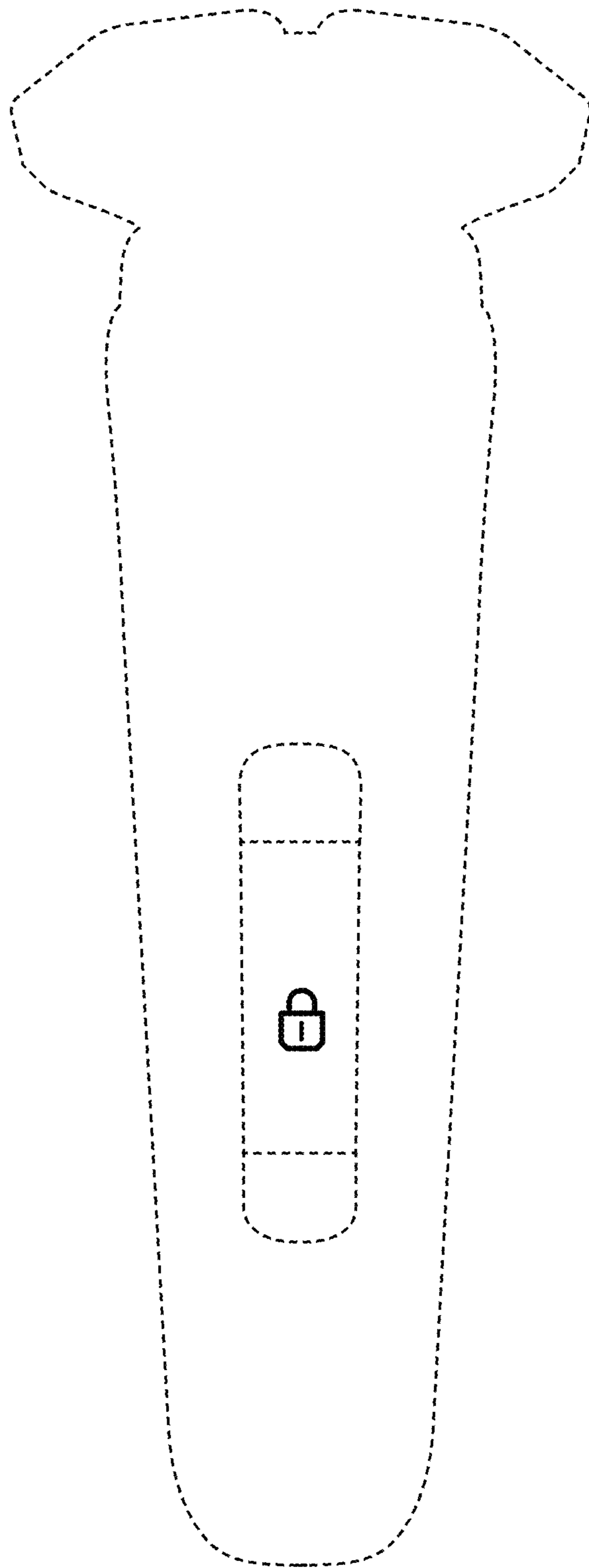


FIG. 11



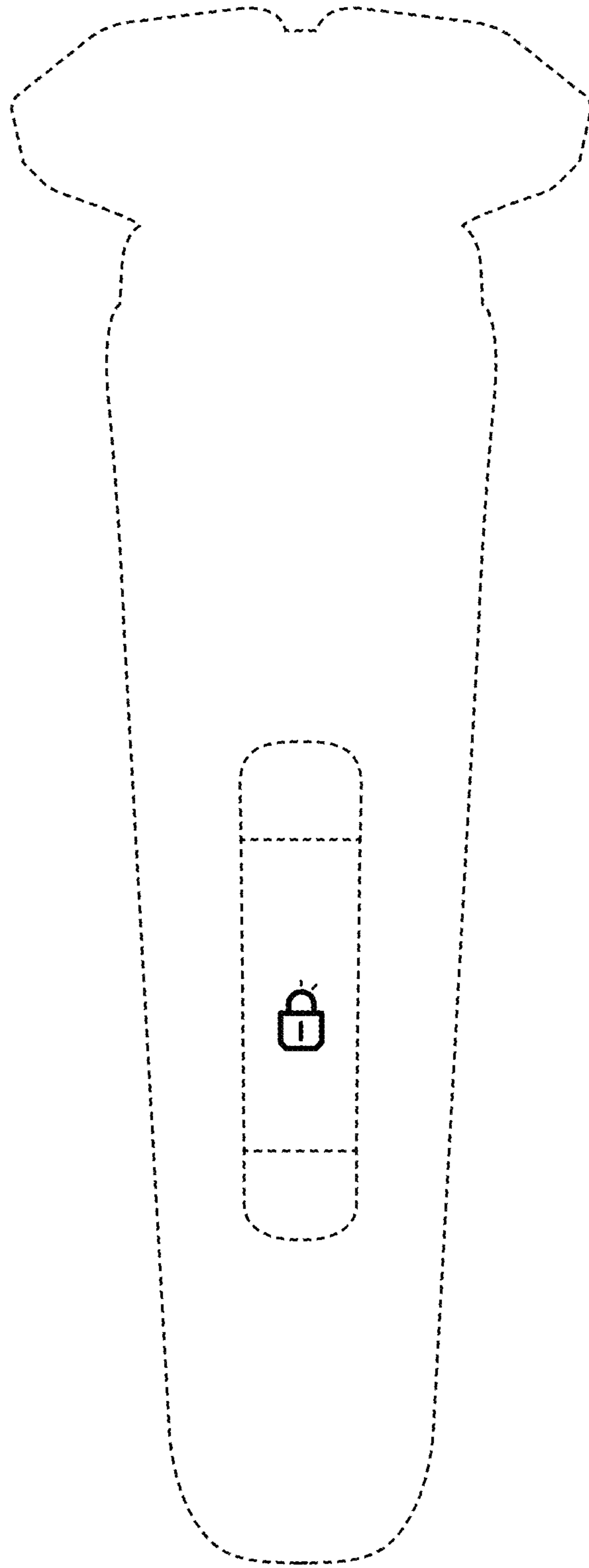


FIG. 12

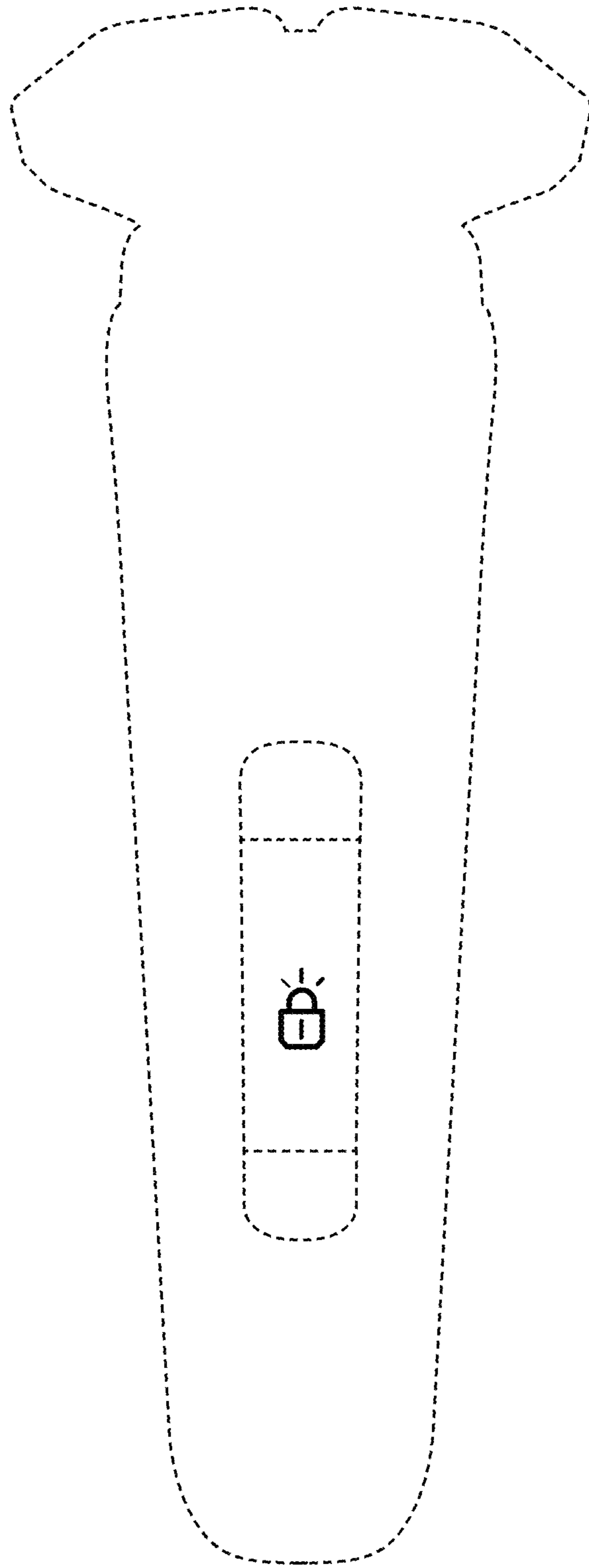


FIG. 13

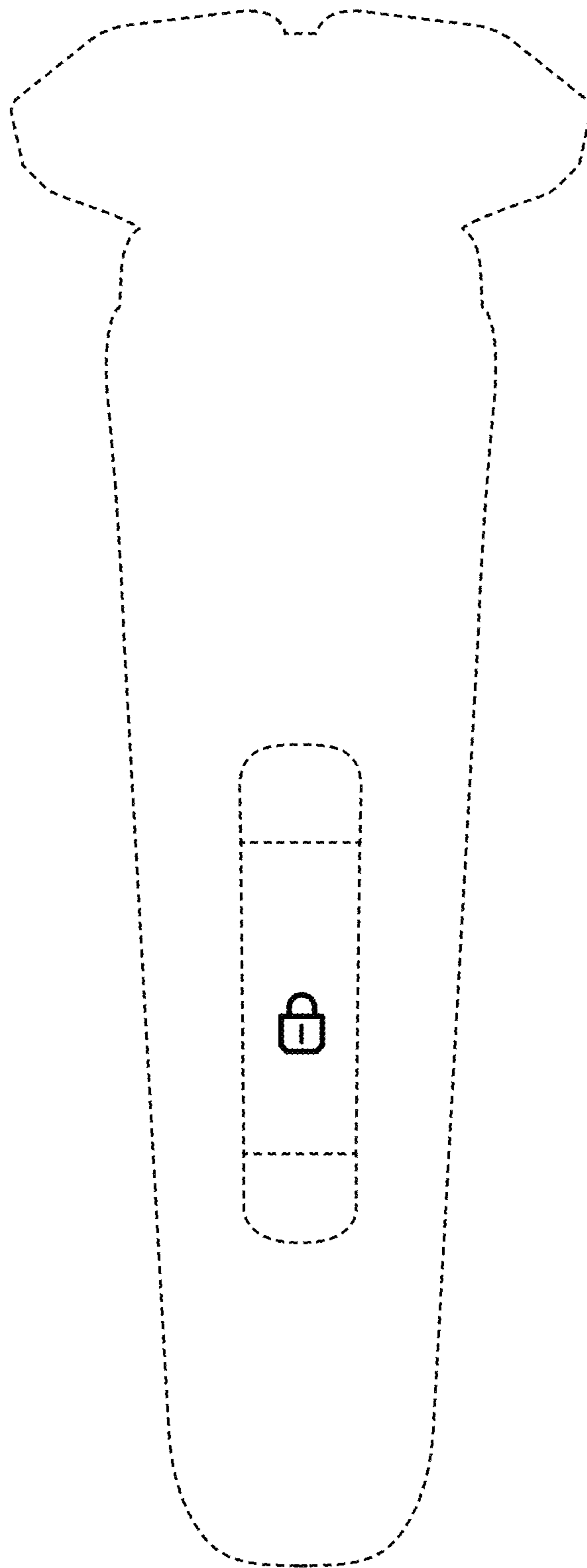


FIG. 14