



US00D975128S

(12) **United States Design Patent**  
**Visser et al.**

(10) **Patent No.:** **US D975,128 S**  
(45) **Date of Patent:** **\*\* Jan. 10, 2023**

(54) **DISPLAY SCREEN OR PORTION THEREOF WITH TRANSITIONAL GRAPHICAL USER INTERFACE**

(71) Applicant: **Aristocrat Technologies Australia Pty Limited**, North Ryde (AU)

(72) Inventors: **Antoon Visser**, Coogee (AU); **Lin Liu**, North Ryde (AU); **Lauren Paterson**, Kellyville (AU); **Benjamin Tinworth**, Wollstonecraft (AU)

(73) Assignee: **Aristocrat Technologies Australia Pty Limited**, North Ryde (AU)

(\*\*) Term: **15 Years**

(21) Appl. No.: **29/808,901**

(22) Filed: **Sep. 23, 2021**

**Related U.S. Application Data**

(63) Continuation of application No. 29/795,991, filed on Jun. 22, 2021, which is a continuation of application No. 29/722,813, filed on Jan. 31, 2020, now Pat. No. Des. 927,547, which is a continuation-in-part of application No. 16/779,540, filed on Jan. 31, 2020, now Pat. No. 10,872,502.

(30) **Foreign Application Priority Data**

Mar. 26, 2019 (AU) ..... 2019901012  
Sep. 20, 2019 (AU) ..... 2019232939  
Sep. 20, 2019 (AU) ..... 2019232942  
Sep. 23, 2019 (AU) ..... 2019236613

(51) **LOC (14) Cl.** ..... **14-04**

(52) **U.S. Cl.**  
USPC ..... **D14/487**

(58) **Field of Classification Search**  
USPC ..... D14/485-495  
CPC .... A63F 9/24; A63F 13/00; A63F 5/00; A63F 9/00; A63F 1/18; A63F 13/2145; A63F 13/25; A63F 13/30; A63F 13/90; A63F 3/00; A63F 1/00; A63F 1/06; A63F 1/12;

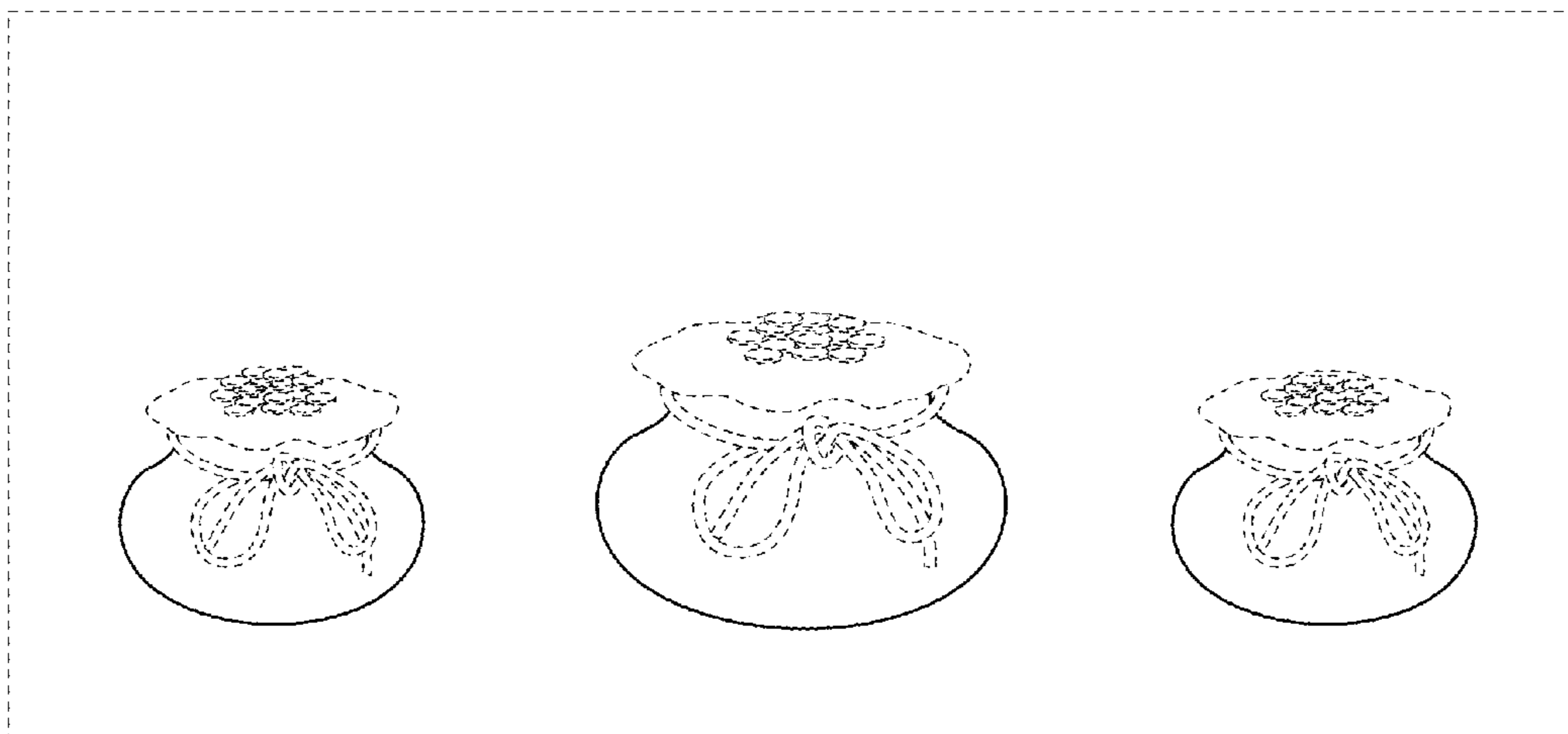
A63F 11/00; A63F 13/24; A63F 13/26; A63F 13/31; A63F 13/35; A63F 13/533; A63F 13/54; A63F 13/55; A63F 13/80; A63F 13/822; A63F 13/85; A63F 13/86; A63F 5/04; A63F 9/04; G06F 17/00; G06F 1/16; G06F 17/40; G06F 3/02; G06F 3/16; G06F 9/24; G07F 17/32; G07F 17/34; G07F 17/00; G07F 19/00; G07F 17/38; G07F 17/42; G07F 7/00

See application file for complete search history.

(56) **References Cited**

U.S. PATENT DOCUMENTS

5,833,537	A	11/1998	Barrie	
5,947,820	A	9/1999	Morro	
D428,399	S	7/2000	Kahn	
6,287,194	B1 *	9/2001	Okada	..... G07F 17/3227 463/16
6,364,765	B1	4/2002	Walker	
6,428,412	B1 *	8/2002	Anderson	..... G07F 17/32 463/16
6,461,241	B1 *	10/2002	Webb	..... G07F 17/3267 463/19
6,533,658	B1 *	3/2003	Walker	..... G07F 17/3269 463/13
6,579,178	B1 *	6/2003	Walker	..... G07F 17/3202 463/31
6,726,563	B1	4/2004	Baerlocher	
D582,426	S	12/2008	Chen	
7,601,059	B2	10/2009	Bozeman	
D656,951	S	4/2012	Weir	
D682,301	S	5/2013	Dijulio	
D682,869	S	5/2013	Aroner	
8,460,090	B1	6/2013	Gilliland	
D696,265	S	12/2013	D'Amore	
D696,677	S	12/2013	Corcoran	
8,608,556	B2	12/2013	Olive	
D701,223	S	3/2014	Cho	
D716,326	S	10/2014	Lee	
8,957,897	B1	2/2015	Weichselbaum	
D732,569	S	6/2015	Anzures	
D761,282	S	7/2016	Bain	
D766,961	S	9/2016	Choi	
D767,621	S	9/2016	Gagnier	
D768,154	S	10/2016	Kim	
D768,707	S	10/2016	Gagnier	
D781,908	S	3/2017	Bhandari	
D783,046	S	4/2017	Dzjind	



# US D975,128 S

D789,384 S 6/2017 Lin  
 9,711,006 B2 7/2017 Kendall  
 D798,895 S 10/2017 Kim  
 D802,011 S 11/2017 Friedman  
 D808,422 S 1/2018 Hoffman  
 D810,117 S 2/2018 Lin  
 D810,123 S 2/2018 McClellan  
 D816,698 S 5/2018 Oldenburger  
 D819,059 S 5/2018 O'Toole  
 D819,060 S 5/2018 Friedman  
 D824,933 S 8/2018 Harris  
 D830,406 S 10/2018 Baldi  
 D833,468 S 11/2018 Hsu  
 D841,047 S 2/2019 Papolu  
 10,262,501 B2 4/2019 Satterlie  
 D849,036 S 5/2019 Fuller  
 D849,046 S 5/2019 Kuo  
 D850,464 S 6/2019 Satterlie  
 D855,064 S 7/2019 Lei  
 10,453,306 B2 10/2019 Crispino  
 D870,767 S 12/2019 Villafaña  
 D873,280 S 1/2020 Beesley  
 10,535,229 B2\* 1/2020 Olive ..... G07F 17/3213  
 D879,796 S 3/2020 Hung  
 D881,900 S 4/2020 Harmann  
 D882,625 S 4/2020 Dixit  
 D887,436 S 6/2020 Crandall  
 D888,089 S 6/2020 Chaudhri  
 D890,200 S 7/2020 Kokubo  
 D895,642 S 9/2020 Hoofnagle  
 D895,661 S 9/2020 Lei  
 10,789,812 B2 9/2020 Sanborn  
 D900,123 S 10/2020 Lopes et al.  
 D903,691 S 12/2020 Olive  
 D907,652 S 1/2021 Momchilov  
 D908,134 S 1/2021 Liebowitz  
 D915,439 S 4/2021 Chapple  
 10,970,958 B2 4/2021 Hirai  
 D921,013 S 6/2021 Boese  
 D922,409 S 6/2021 Visser  
 D924,248 S 7/2021 Boese  
 D924,921 S 7/2021 Bowey  
 D925,575 S 7/2021 Harman  
 D931,885 S 9/2021 Davies  
 D938,972 S 12/2021 Boese  
 D940,742 S 1/2022 Vickers  
 D942,466 S 2/2022 Degens  
 D949,166 S 4/2022 Marks  
 D949,167 S 4/2022 Marks  
 D951,272 S 5/2022 Olive  
 D952,646 S 5/2022 Ludwick  
 2002/0094856 A1 7/2002 Bennett  
 2003/0064793 A1 4/2003 Baerlocher  
 2004/0087368 A1 5/2004 Gauselmann  
 2004/0106448 A1 6/2004 Gauselmann  
 2004/0235552 A1 11/2004 Gauselmann  
 2005/0043082 A1 2/2005 Peterson  
 2006/0003829 A1 1/2006 Thomas  
 2006/0046830 A1 3/2006 Webb  
 2007/0060254 A1 3/2007 Muir  
 2007/0077979 A1 4/2007 Cohn  
 2007/0243923 A1 10/2007 Seelig  
 2008/0113734 A1 5/2008 Watkins  
 2009/0118000 A1 5/2009 Yoshizawa  
 2009/0197666 A1 8/2009 Visser  
 2009/0197668 A1 8/2009 Visser  
 2009/0264171 A1 10/2009 Acres  
 2009/0305770 A1 12/2009 Bennett  
 2010/0029381 A1 2/2010 Vancura  
 2010/0323780 A1 12/2010 Acres  
 2012/0046089 A1 2/2012 Kemper  
 2012/0122544 A1 5/2012 Roemer  
 2013/0065665 A1 3/2013 Watkins  
 2013/0065674 A1 3/2013 Luciano, Jr.  
 2013/0157741 A1 6/2013 Pacey  
 2013/0252704 A1 9/2013 Gilbertson  
 2013/0281181 A1 10/2013 Langille  
 2014/0080570 A1 3/2014 Watkins  
 2014/0100022 A1 4/2014 Lewis

2014/0135096 A1 5/2014 Aida  
 2014/0179396 A1 6/2014 Aoki  
 2014/0248938 A1 9/2014 Tidke  
 2014/0274299 A1 9/2014 Kitamura  
 2014/0274308 A1 9/2014 Guinn  
 2014/0295942 A1 10/2014 Kendall  
 2014/0364193 A1 12/2014 Williamson  
 2015/0094129 A1 4/2015 Acres  
 2015/0099569 A1 4/2015 Suda  
 2015/0141114 A1 5/2015 Davis  
 2015/0206397 A1 7/2015 Nelson  
 2015/0262450 A1 9/2015 Elias  
 2016/0086442 A1 3/2016 Hilbert  
 2016/0104344 A1 4/2016 Meyer  
 2016/0133100 A1 5/2016 Pececnik  
 2016/0247361 A1 8/2016 Meyer  
 2017/0024955 A1 1/2017 Pawloski  
 2017/0024957 A1 1/2017 Boese  
 2017/0092047 A1 3/2017 Hendricks  
 2017/0169662 A1 6/2017 Froy  
 2018/0025585 A1 1/2018 Schmidt  
 2018/0082533 A1 3/2018 Hallerbach  
 2018/0089942 A1 3/2018 Filipour  
 2018/0130296 A1 5/2018 Berman  
 2018/0197379 A1 7/2018 Crispino  
 2019/0043316 A1 2/2019 Selegue  
 2019/0130705 A1 5/2019 Nelson  
 2019/0304248 A1 10/2019 Bryant  
 2019/0355206 A1 11/2019 Kania  
 2020/0051374 A1 2/2020 Solaja  
 2020/0160663 A1 5/2020 Berman  
 2020/0312086 A1 10/2020 Kendall  
 2020/0312087 A1 10/2020 Kendall  
 2020/0312095 A1 10/2020 Kendall  
 2020/0357240 A1 11/2020 Tam  
 2021/0065513 A1 3/2021 Ludwick  
 2021/0104127 A1 4/2021 Schaefer  
 2021/0110676 A1 4/2021 Davis  
 2022/0122010 A1 4/2022 Barcelos

## FOREIGN PATENT DOCUMENTS

AU 2008202678 A1 2/2009  
 AU 2017279696 A1 7/2018

## OTHER PUBLICATIONS

Office Action (Non-Final Rejection) dated Feb. 22, 2022 for U.S. Appl. No. 17/129,427 (pp. 1-10).  
 Office Action (Non-Final Rejection) dated Mar. 29, 2022 for U.S. Appl. No. 17/388,894 (pp. 1-22).  
 Australian Examination Report for App No. AU2019222868, dated May 22, 2020, 4 pages.  
 Office Action dated Aug. 27, 2020 for U.S. Appl. No. 16/659,177 (pp. 1-6).  
 Notice of Allowance dated Sep. 29, 2020 for U.S. Appl. No. 16/659,177 (pp. 1-9).  
 Office Action (Non-Final Rejection) dated Jan. 10, 2022 for U.S. Appl. No. 17/150,839 (pp. 1-6).  
 Office Action (Non-Final Rejection) dated Jan. 21, 2022 for U.S. Appl. No. 16/830,239 (pp. 1-19).  
 Office Action (Final Rejection) dated Jan. 20, 2022 for U.S. Appl. No. 16/790,548 (pp. 1-16).  
 Office Action dated Jan. 14, 2021 for U.S. Appl. No. 29/722,810 (pp. 1-7).  
 New Game Nice Profit Fu Dai Lian Lian Dragon Slot (Aristocrat), by KURI Slot, dated Dec. 11, 2019, youtube.com [online]. Retrieved Jan. 11, 2021 from internet <URL:https://www.youtube.com/watch?v=5kX2ZXirx\_O> (Year: 2019).  
 Fu Dai Lian Lian, dated to Oct. 25, 2020, aristocrat-us.com [online]. Retrieved from internet <URL:https://web.archive.org/web/20201125023325/https://www.aristocrat-us.com/fu-dai-lian-lian> (Year: 2020).

Aristocrat Technologies Australia Pty Limited, “Fu Dai Lian Lian Panda,” downloaded from <https://www.aristocrat.com/apac/games/ba-bao-huang-long-emperor-2-2/>, 4 pp. (downloaded on Feb. 13, 2020).

Vimeo, “Fu Dai Lian Lian,” downloaded from <https://vimeo.com/352401309>, 10 pp. (downloaded on Feb. 13, 2020).

Youtube video, “Cash Fusion—Peacock Riches,” MGS Summit Macau, downloaded from <https://www.youtube.com/watch?v=6jaKVWJt56Q>, 1 p. (Nov. 2017).

Office Action dated May 18, 2020 for U.S. Appl. No. 16/779,540 (pp. 1-12).

Notice of Allowance dated Aug. 27, 2020 for U.S. Appl. No. 16/779,540 (pp. 1-8).

Notice of Allowance dated Feb. 18, 2021 for U.S. Appl. No. 29/722,810 (pp. 1-8).

Notice of Allowance dated Jun. 16, 2021 for U.S. Appl. No. 29/722,813 (pp. 1-9).

Julia Lemba, “Moneybag Simple Cartoon” Mar. 14, 2019 <https://www.istockphoto.com/vector/moneybag-simple-cartoon-infographics-isolated-on-blue-background-moneybag-simple-gm1135787086-302281081>.

Office Action dated Jun. 18, 2021 for U.S. Appl. No. 16/790,548 (pp. 1-16).

Corrected Notice of Allowability dated Jul. 8, 2021 for U.S. Appl. No. 29/722,813 (pp. 1-2).

Office Action (Non-Final Rejection) dated Jan. 7, 2022 for U.S. Appl. No. 16/830,232 (pp. 1-13).

Office Action (Notice of Allowance and Fees Due (PTOL-85)) dated Apr. 27, 2022 for U.S. Appl. No. 17/150,839 (pp. 1-8).

Office Action (Notice of Allowance and Fees Due (PTOL-85)) dated May 17, 2022 for U.S. Appl. No. 16/790,548 (pp. 1-9).

Notice of Allowance dated May 13, 2022 for U.S. Appl. No. 29/782,345 (pp. 1-11).

Notice of Allowance dated May 16, 2022 for U.S. Appl. No. 29/809,073 (pp. 1-11).

New Game Nice Profit, by KURI Slot, dated Dec. 11, 2019, youtube.com [online]. Retrieved May 5, 2022 from internet <URL:[https://www.youtube.com/watch?v=5kX2ZZXirx\\_0](https://www.youtube.com/watch?v=5kX2ZZXirx_0)> (Year:2019).

Notice of Allowance dated Jun. 20, 2022 for U.S. Appl. No. 29/795,991 (pp. 1-9).

Notice of Allowance dated Jun. 27, 2022 for U.S. Appl. No. 29/782,345 (pp. 1-8).

Notice of Allowance dated Jun. 27, 2022 for U.S. Appl. No. 29/809,073 (pp. 1-8).

Office Action (Notice of Allowance and Fees Due (PTOL-85)) dated Jul. 15, 2022 for U.S. Appl. No. 16/830,232 (pp. 1-9).

\* cited by examiner

*Primary Examiner* — Bao-Yen T Nguyen

(74) *Attorney, Agent, or Firm* — McAndrews, Held & Malloy, Ltd.

(57)

### CLAIM

The ornamental design for a display screen or portion thereof with transitional graphical user interface, as shown and described.

### DESCRIPTION

FIG. 1 is a front view of the first image in a sequence of a display screen or portion thereof with transitional graphical user interface showing our new design according to a first embodiment;

FIG. 2 is the second image thereof;

FIG. 3 is the third image thereof;

FIG. 4 is a front view of the first image in a sequence of a display screen or portion thereof with transitional graphical user interface showing our new design according to a second embodiment;

FIG. 5 is the second image thereof;

FIG. 6 is the third image thereof;

FIG. 7 is a front view of the first image in a sequence of a display screen or portion thereof with transitional graphical user interface showing our new design according to a third embodiment;

FIG. 8 is the second image thereof; and,

FIG. 9 is the third image thereof.

The dashed broken line perimeter in the drawings illustrates a display screen or portion thereof and forms no part of the claimed design. The remaining dashed broken lines in the drawings illustrate portions of the graphical user interface that form no part of the claimed design. The stipple shading surrounding the money bowls in FIGS. 3, 6, and 9, represents a glowing visual effect.

The appearance of the transitional image sequentially transitions between the images shown in FIGS. 1-3, 4-6, and 7-9, respectively. The process or period in which one image transitions to another image forms no part of the claimed design.

**1 Claim, 9 Drawing Sheets**

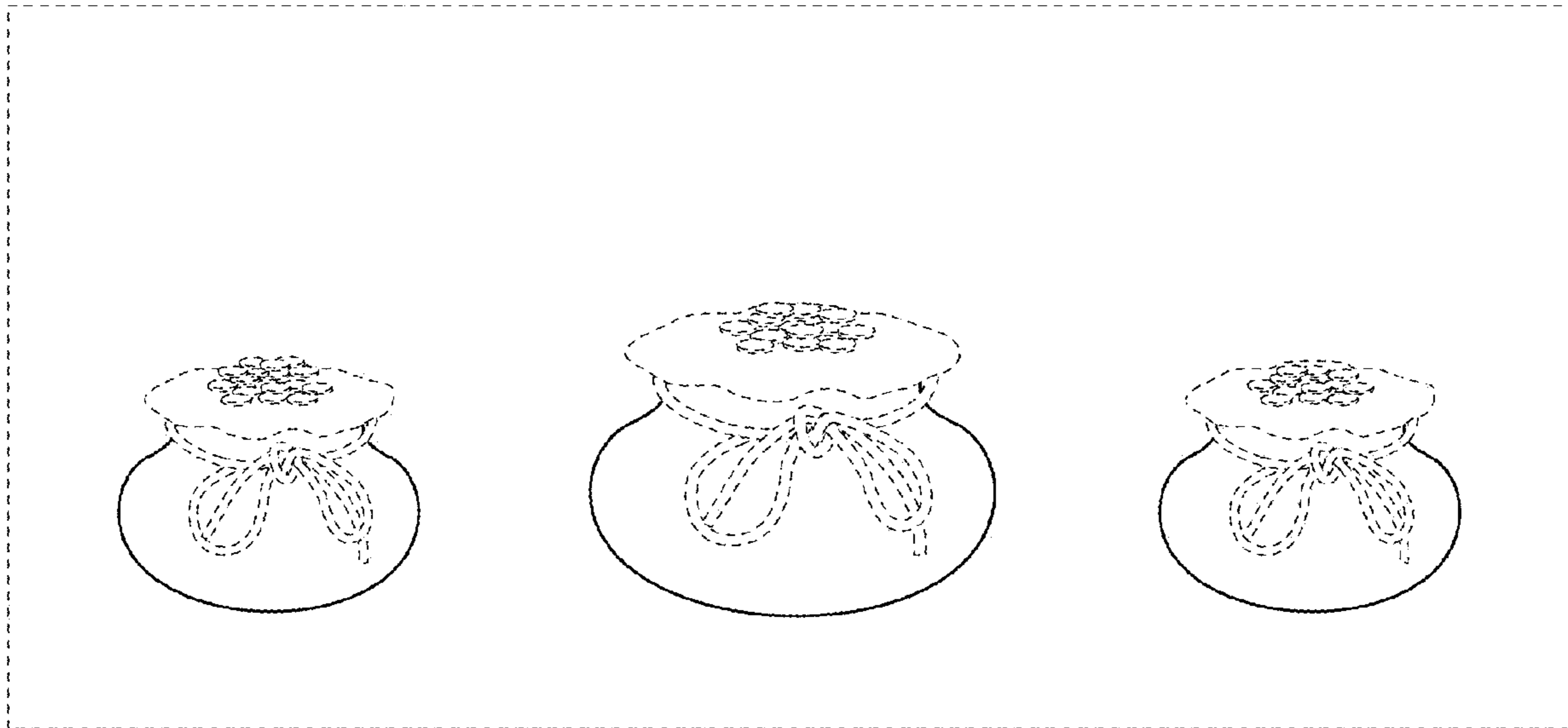


FIG. 1

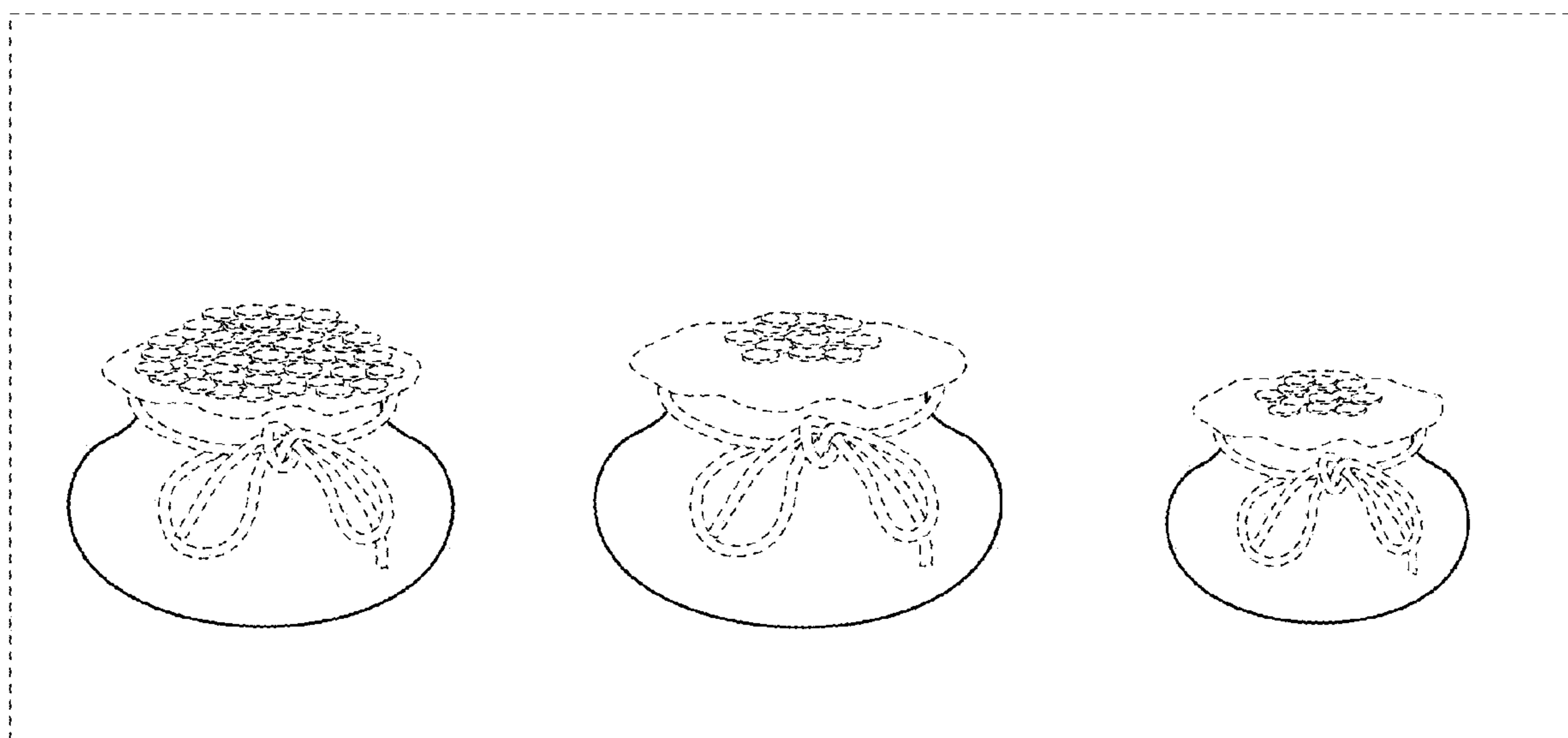


FIG. 2

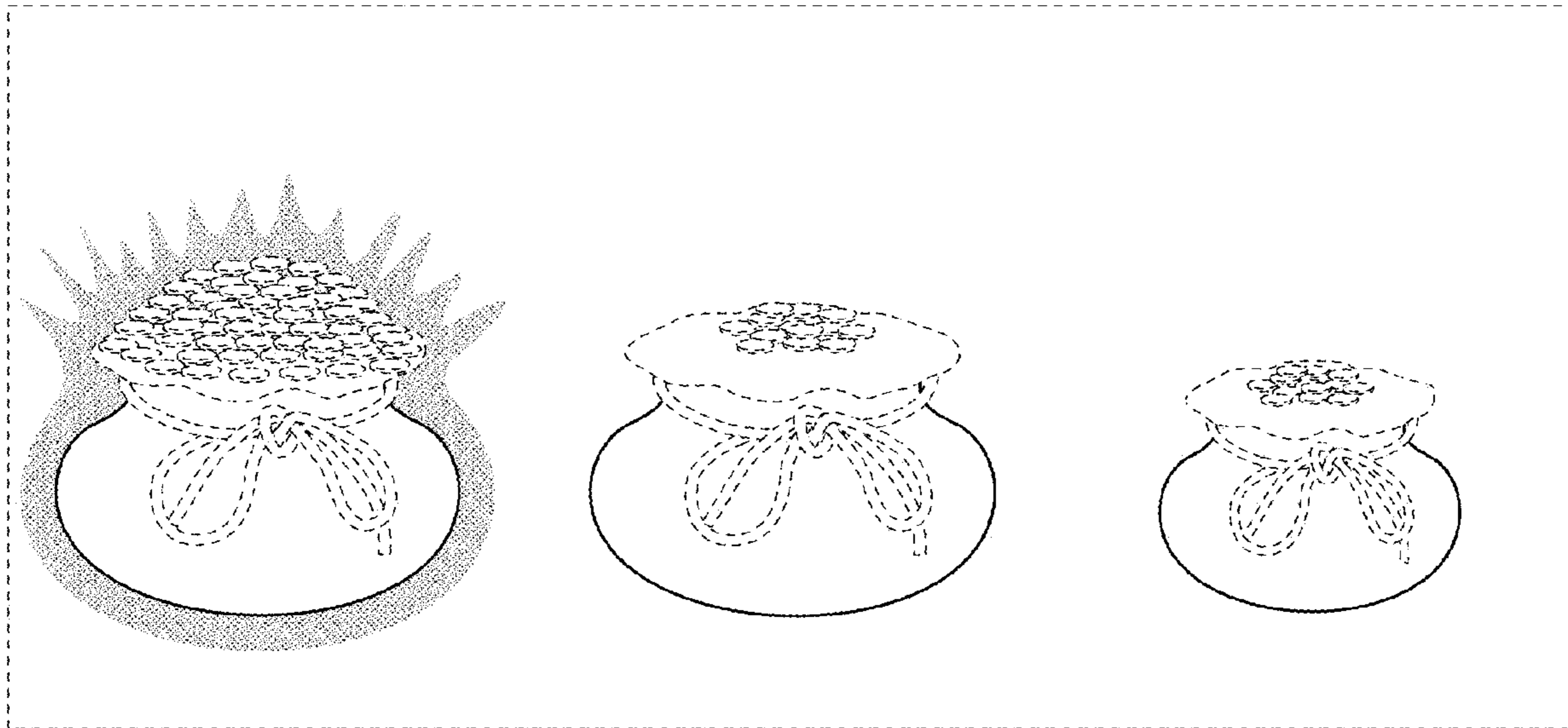


FIG. 3

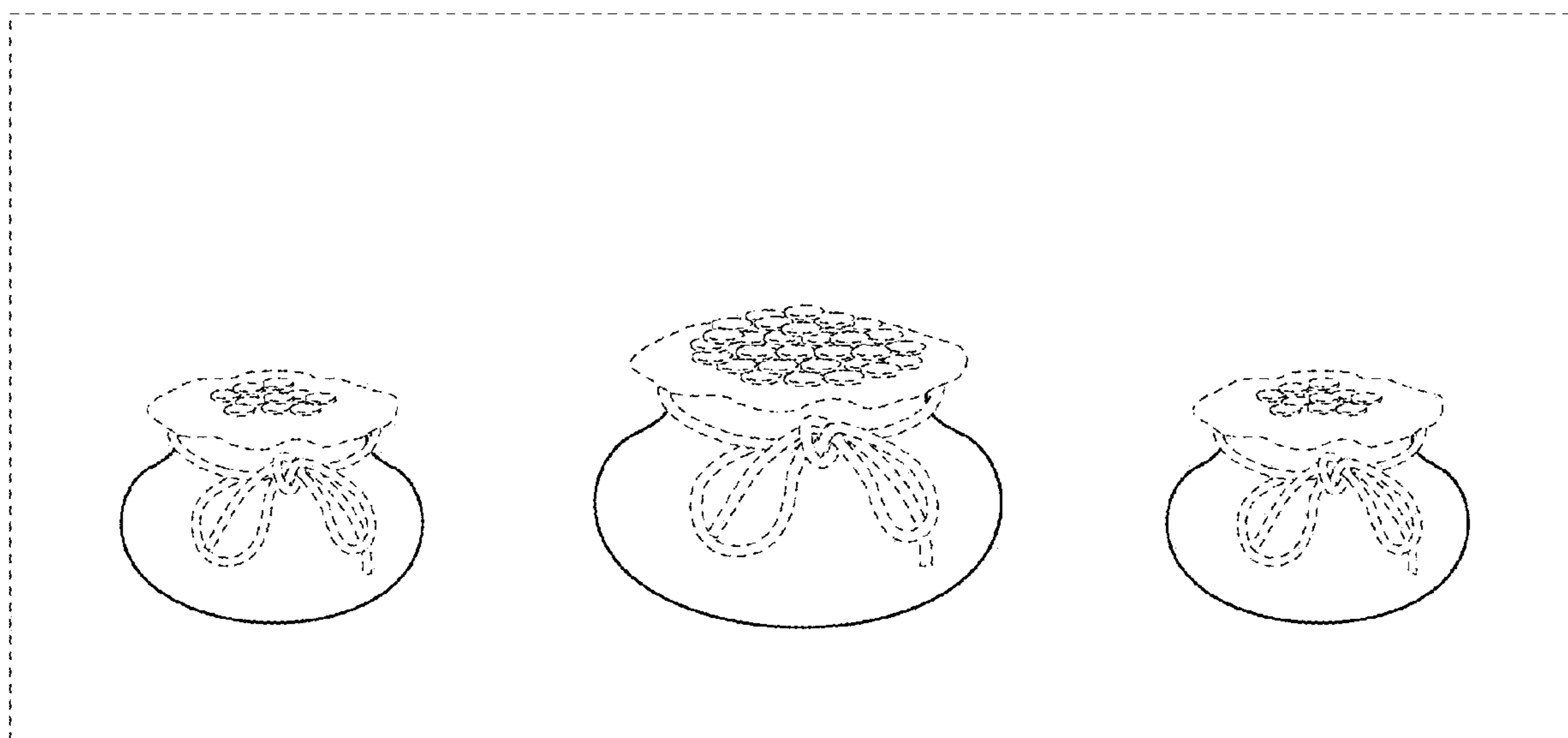


FIG. 4

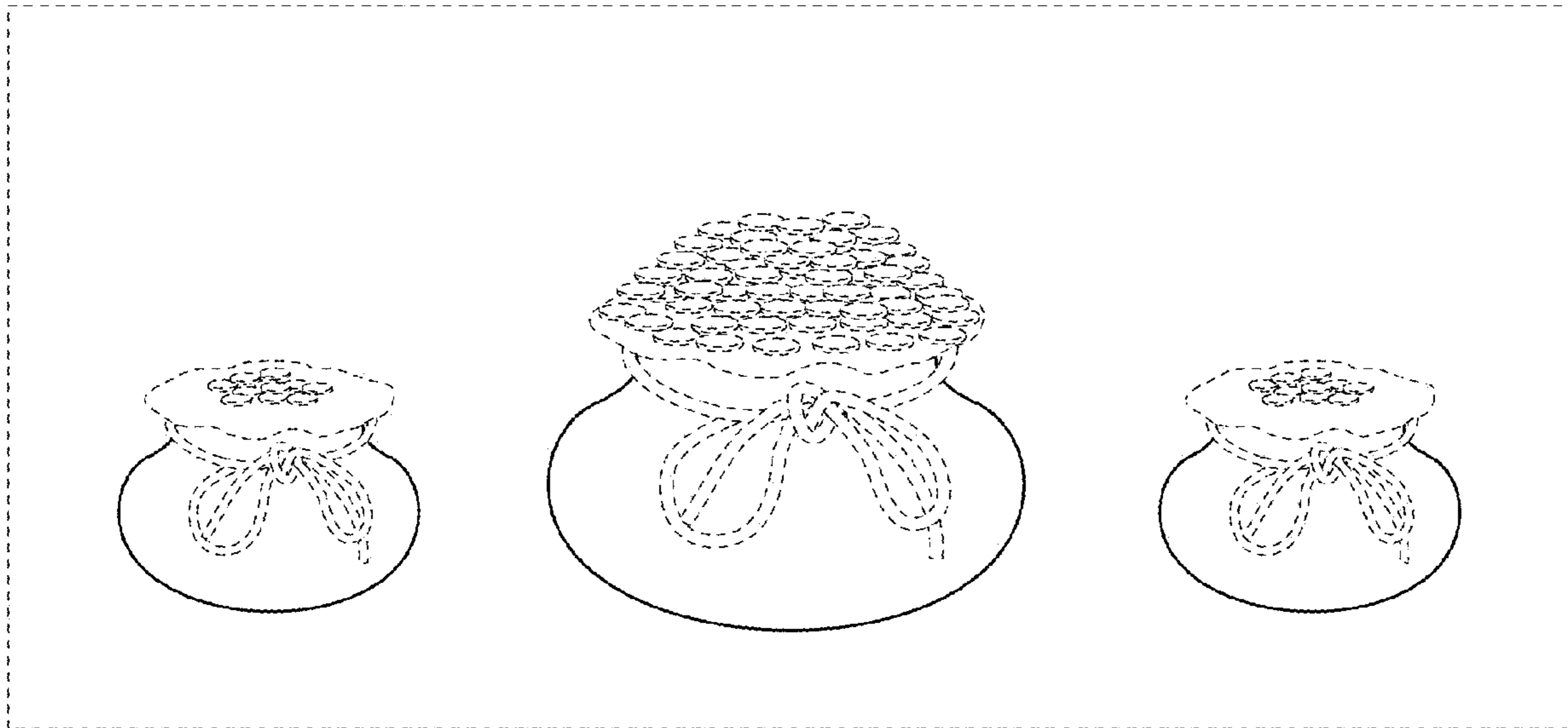


FIG. 5



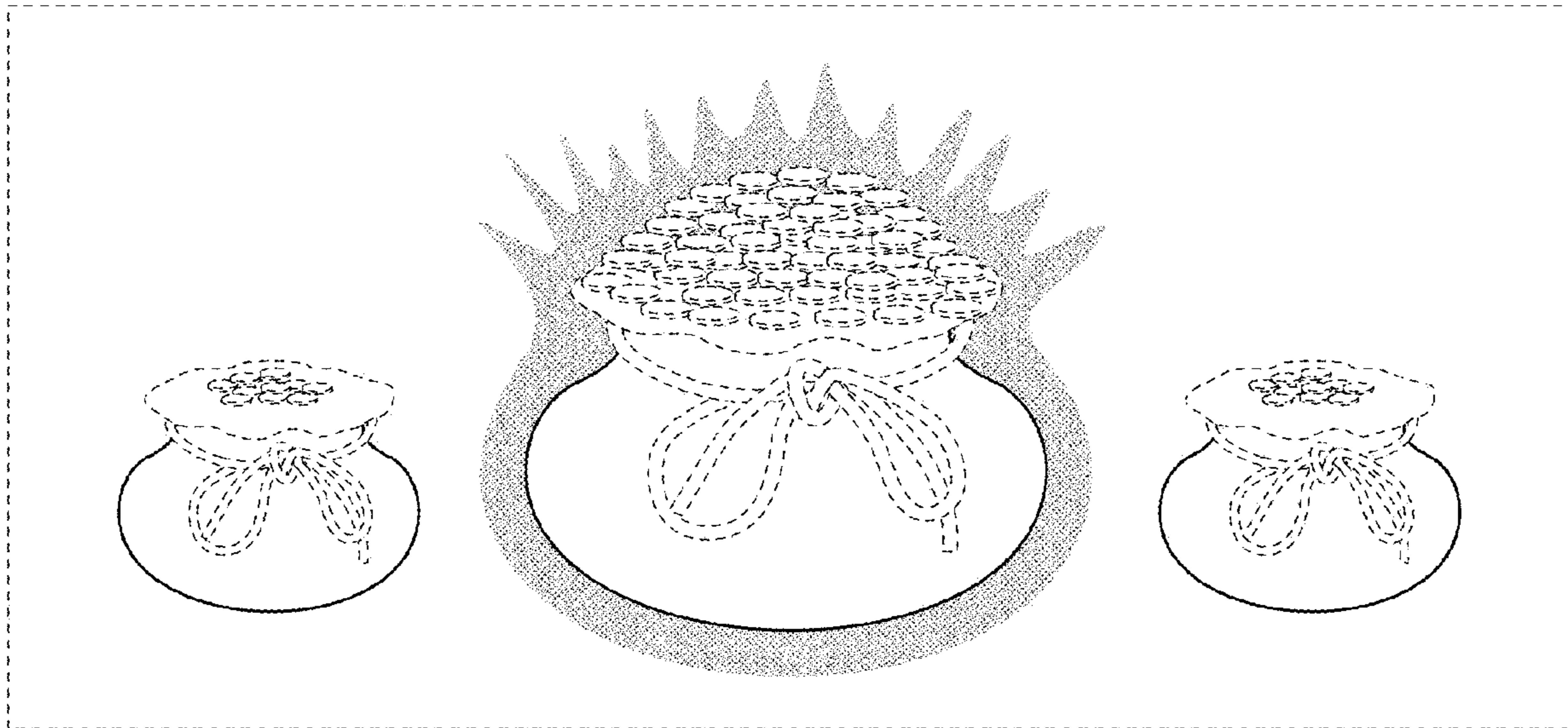


FIG. 6

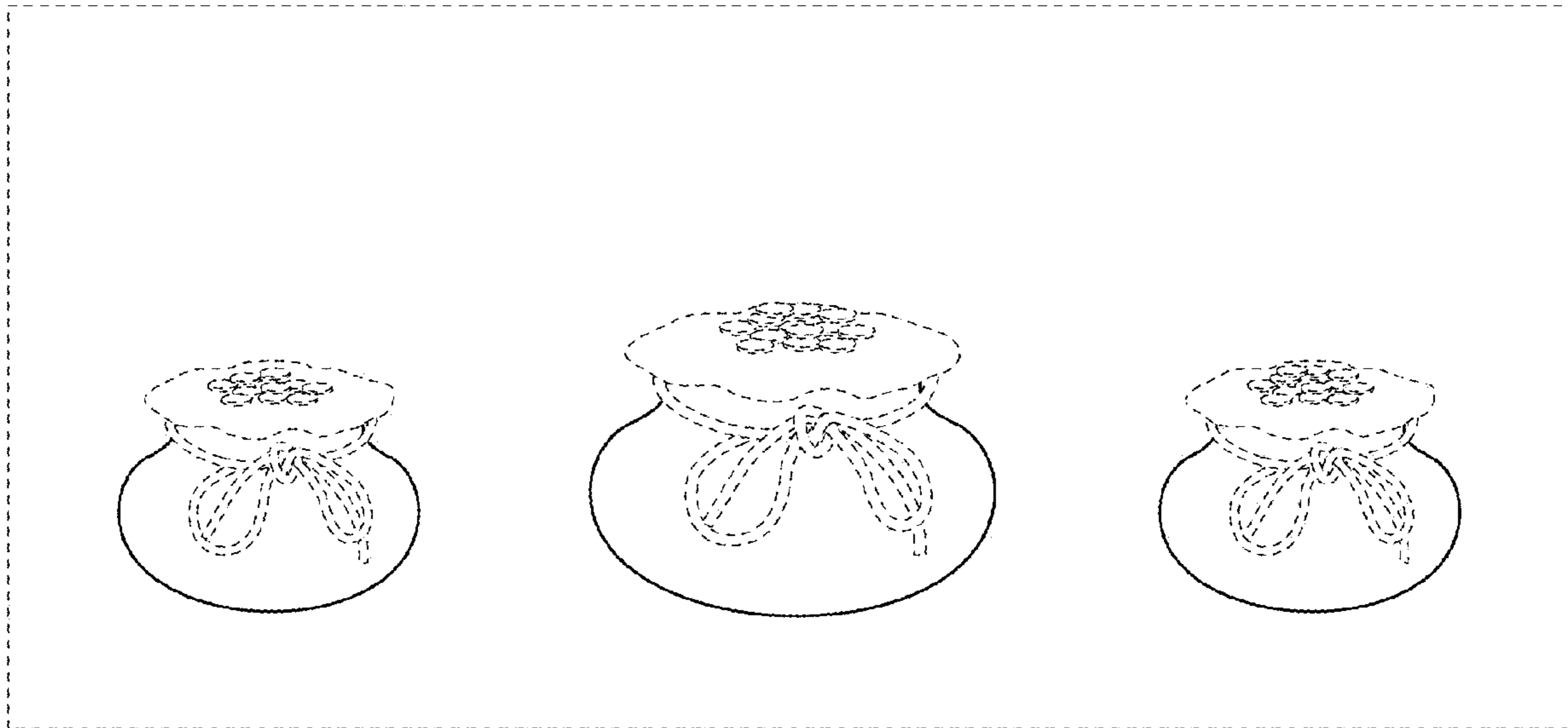


FIG. 7

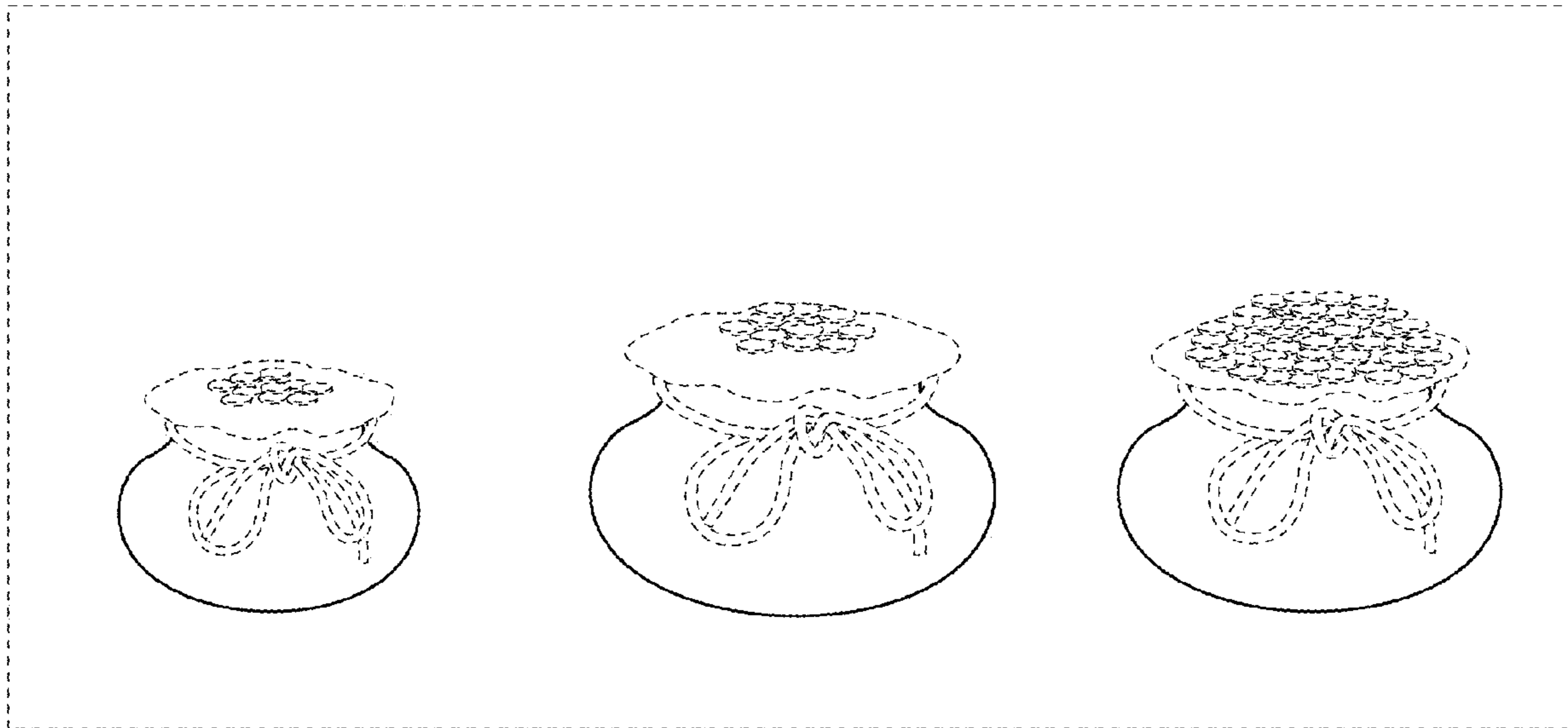


FIG. 8

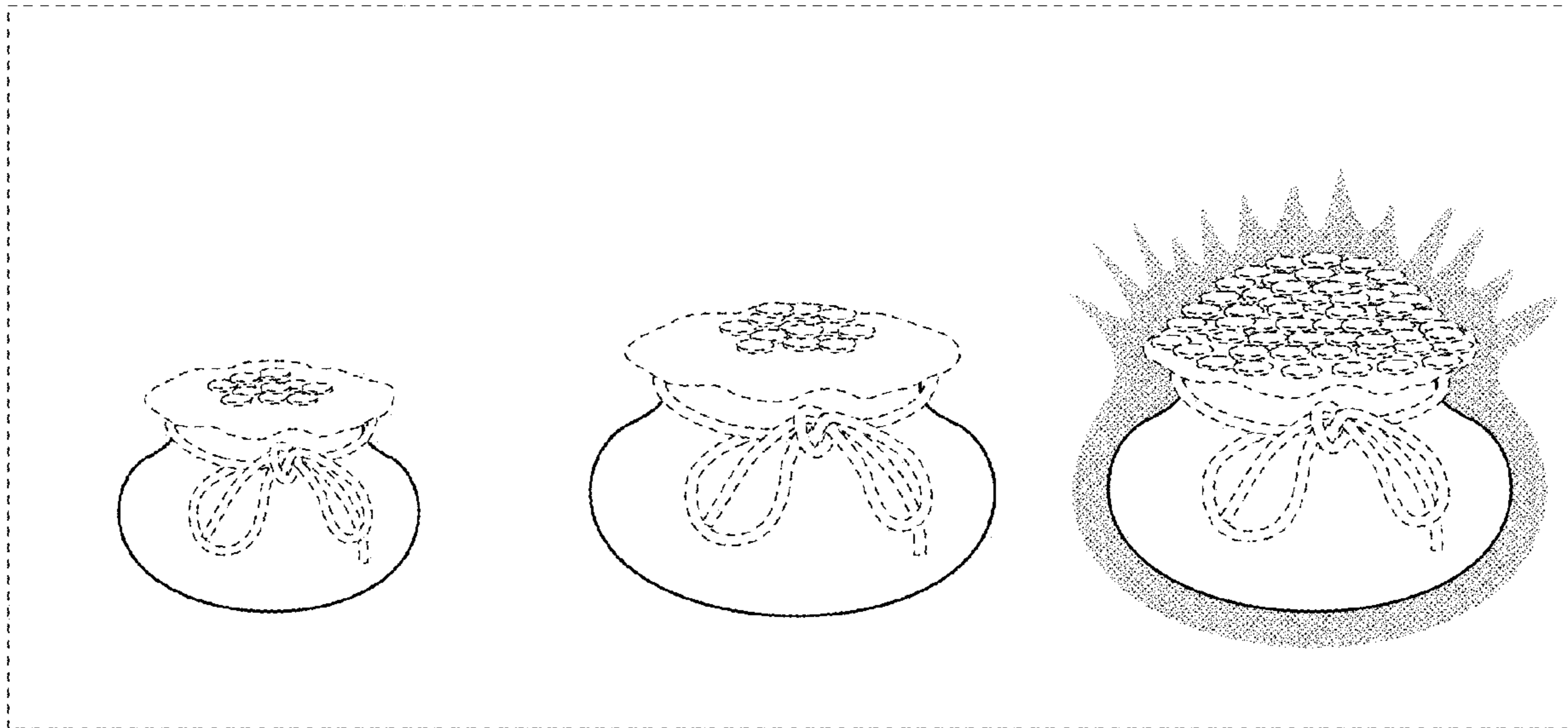


FIG. 9