



US00D975105S

(12) **United States Design Patent**
Jun

(10) **Patent No.:** **US D975,105 S**

(45) **Date of Patent:** **** Jan. 10, 2023**

(54) **USB (UNIVERSAL SERIAL BUS) MEMORY DEVICE**

(71) Applicant: **SAMSUNG ELECTRONICS CO., LTD.**, Suwon-si (KR)

(72) Inventor: **Gye-Jin Jun**, Suwon-si (KR)

(73) Assignee: **SAMSUNG ELECTRONICS CO., LTD.**, Suwon-si (KR)

(**) Term: **15 Years**

(21) Appl. No.: **29/756,955**

(22) Filed: **Nov. 2, 2020**

(30) **Foreign Application Priority Data**

May 12, 2020 (KR) 30-2020-0020669

(51) **LOC (14) Cl.** **14-03**

(52) **U.S. Cl.**
USPC **D14/480.1**

(58) **Field of Classification Search**
USPC D14/480.1-480.7, 435.1, 411, 433, 436,
D14/484.1, 137, 155, 203.1-203.8, 240,
D14/242, 496, 474, 348, 353, 356;
D13/133, 154
CPC H05K 5/0278; G06K 19/07732
See application file for complete search history.

(56) **References Cited**

U.S. PATENT DOCUMENTS

- D511,519 S * 11/2005 Bone D14/480.1
- D537,820 S * 3/2007 Hsu D14/480.1
- D631,053 S * 1/2011 Bailey D10/70
- D640,263 S * 6/2011 Huang D3/208
- D656,149 S * 3/2012 Schlosstein D14/480.7
- D724,601 S * 3/2015 Hsieh D3/208
- D745,874 S * 12/2015 Huang D14/480.1

- D754,139 S * 4/2016 Billington D14/480.1
- D786,264 S * 5/2017 Lin D14/480.1
- D836,647 S * 12/2018 Wei D14/480.7
- D844,631 S * 4/2019 Roberts D14/480.5
- D862,484 S * 10/2019 Shim D14/480.1
- 2008/0192149 A1* 8/2008 Lee H04N 5/44
348/725

* cited by examiner

Primary Examiner — Angela J Lee

(74) *Attorney, Agent, or Firm* — Sughrue Mion, PLLC

(57) **CLAIM**

The ornamental design for a USB (Universal Serial Bus) memory device, as shown and described.

DESCRIPTION

FIG. 1 is a front perspective view of a USB (Universal Serial Bus) memory device;
 FIG. 2 is a front view thereof;
 FIG. 3 is a rear view thereof;
 FIG. 4 is a left-side view thereof;
 FIG. 5 is a right-side view thereof;
 FIG. 6 is a top plan view thereof;
 FIG. 7 is a bottom plan view thereof;
 FIG. 8 is a rear perspective view thereof;
 FIG. 9 is another front perspective of the FIG. 1 in which the ring portion is shown in open position;
 FIG. 10 is a front view of FIG. 9;
 FIG. 11 is a rear view of FIG. 9;
 FIG. 12 is a left-side view of FIG. 9;
 FIG. 13 is a right-side view of FIG. 9;
 FIG. 14 is a top plan view of FIG. 9;
 FIG. 15 is a bottom plan view of FIG. 9; and,
 FIG. 16 is a rear perspective view of FIG. 9.
 The evenly dashed broken lines in the figures depict environmental subject matter and form no part of the claimed design.

1 Claim, 16 Drawing Sheets

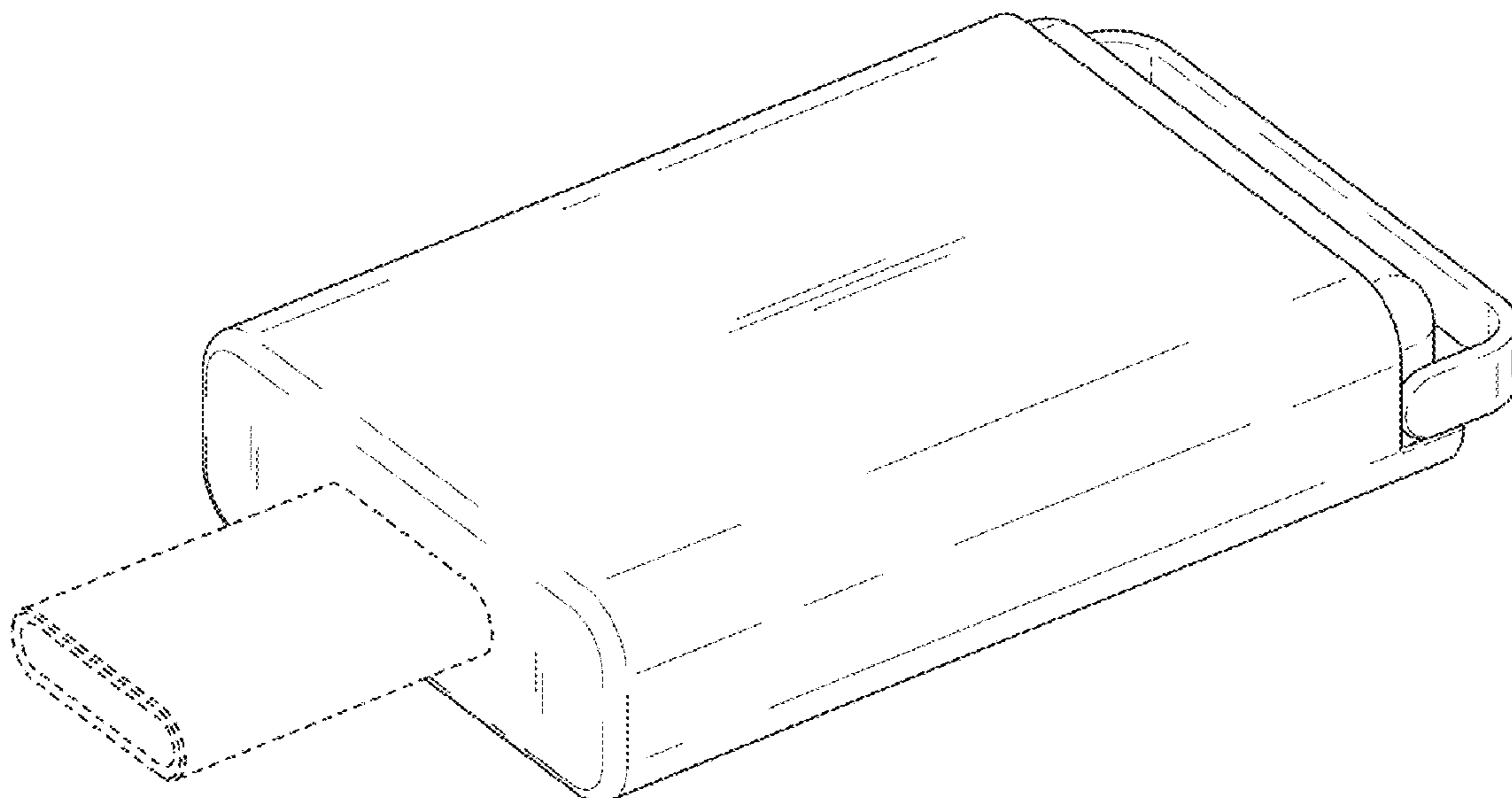


FIG. 1

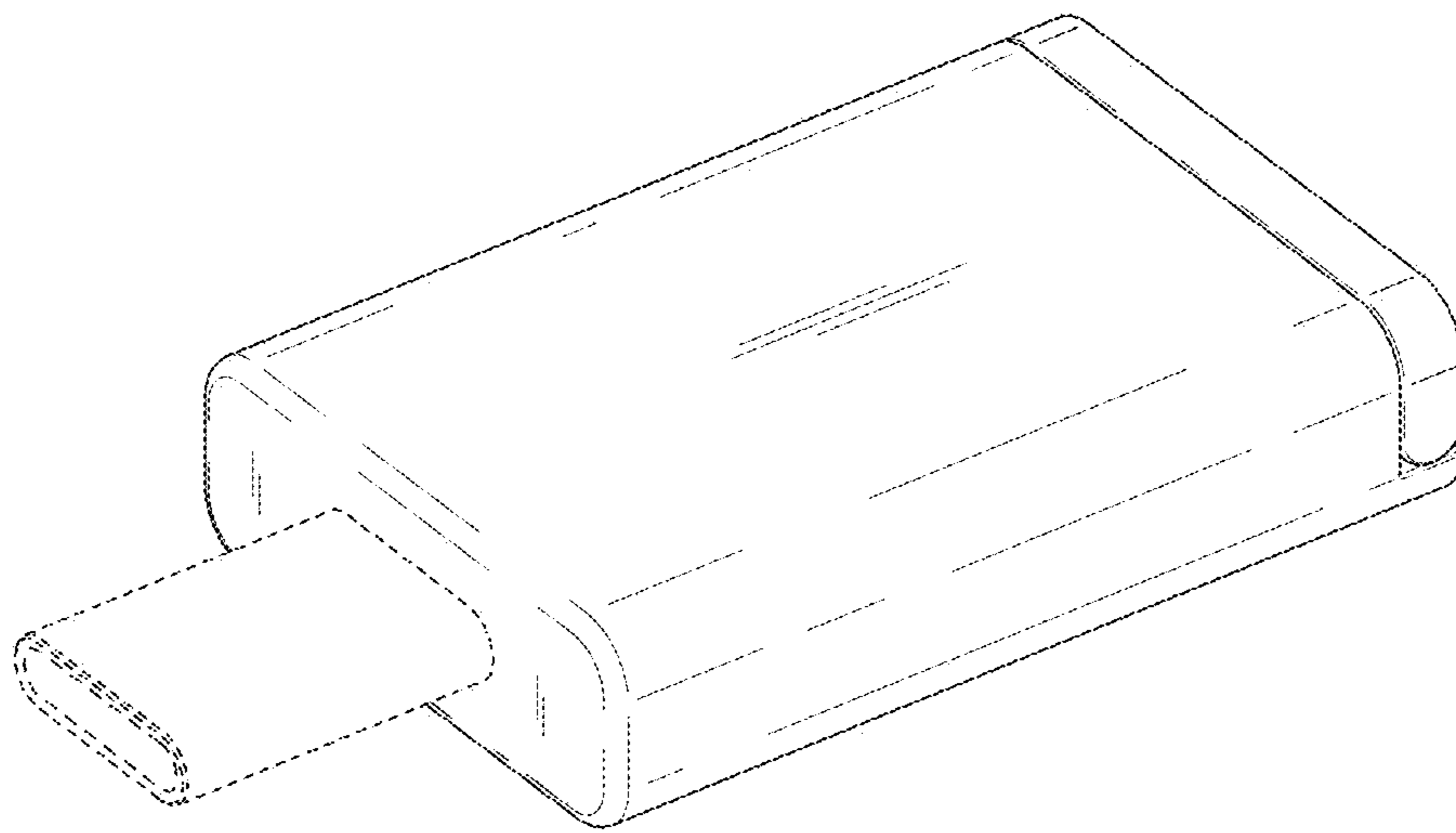


FIG. 2

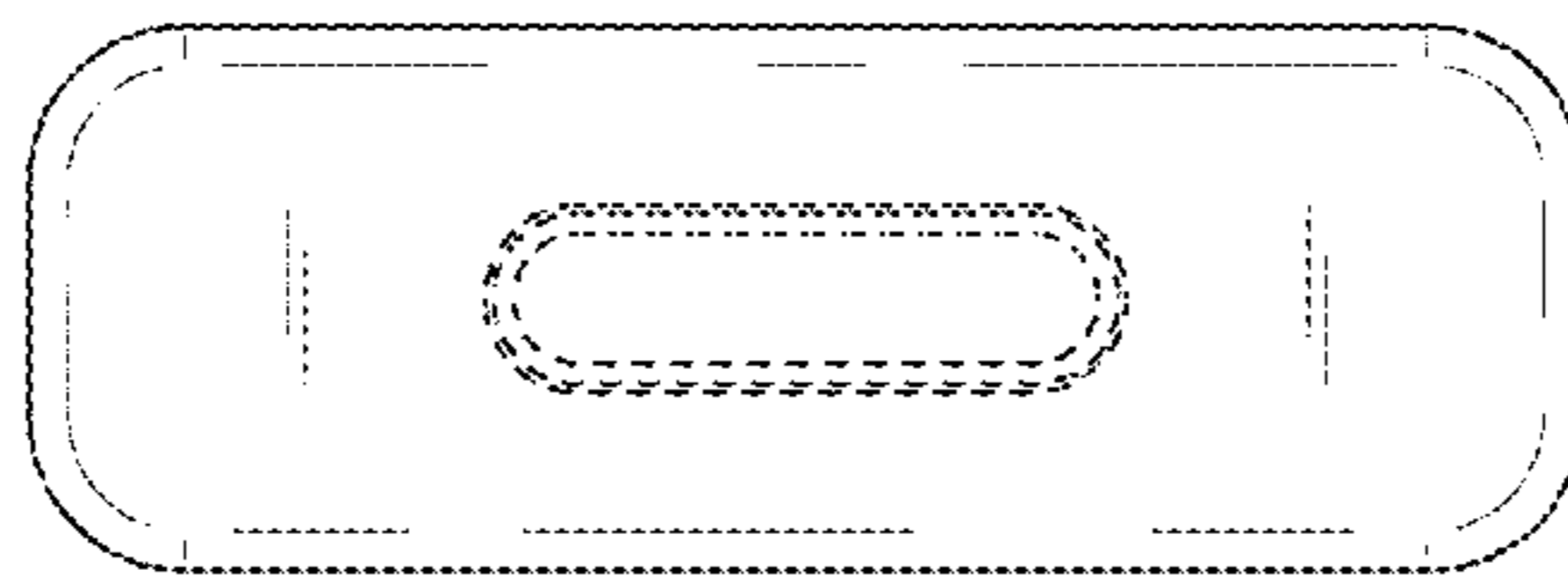


FIG. 3

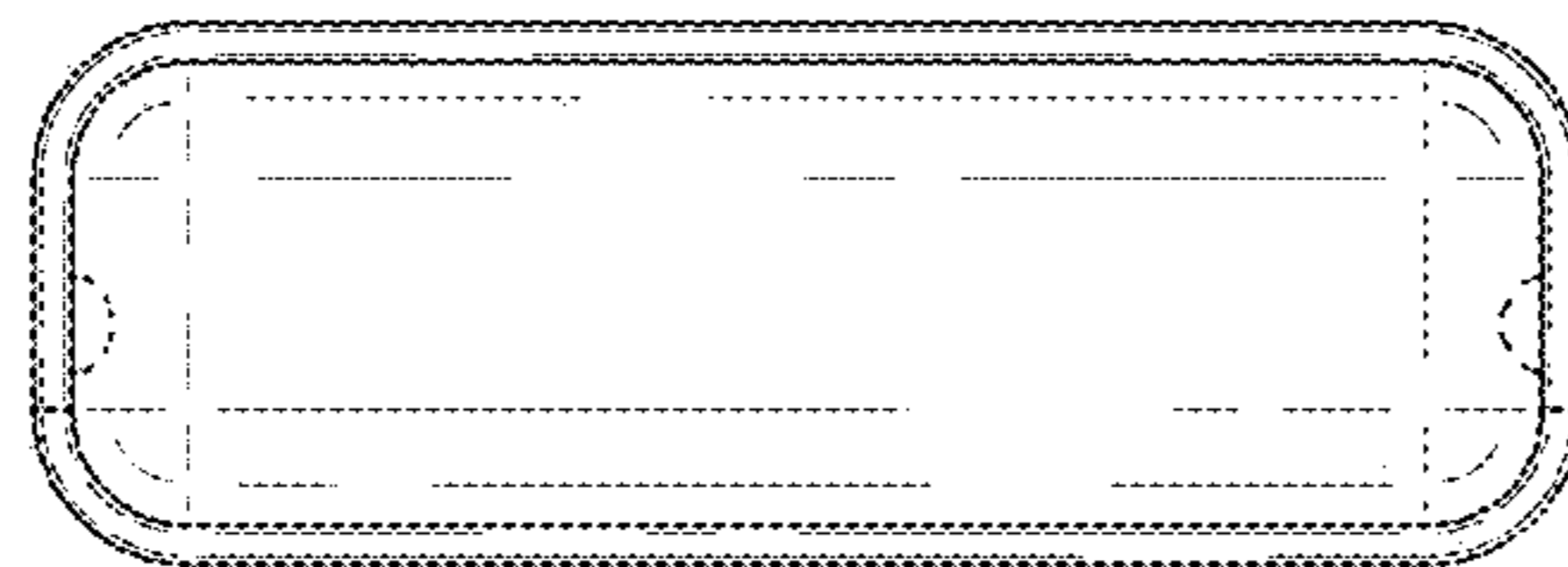


FIG. 4

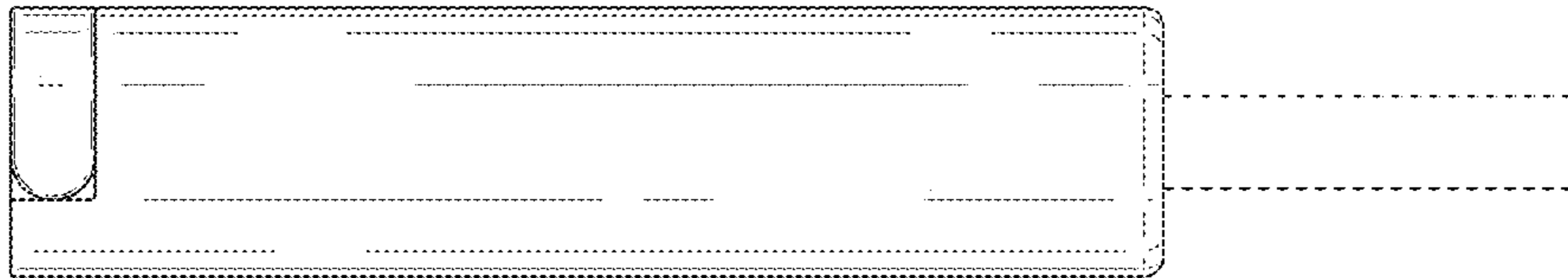


FIG. 5

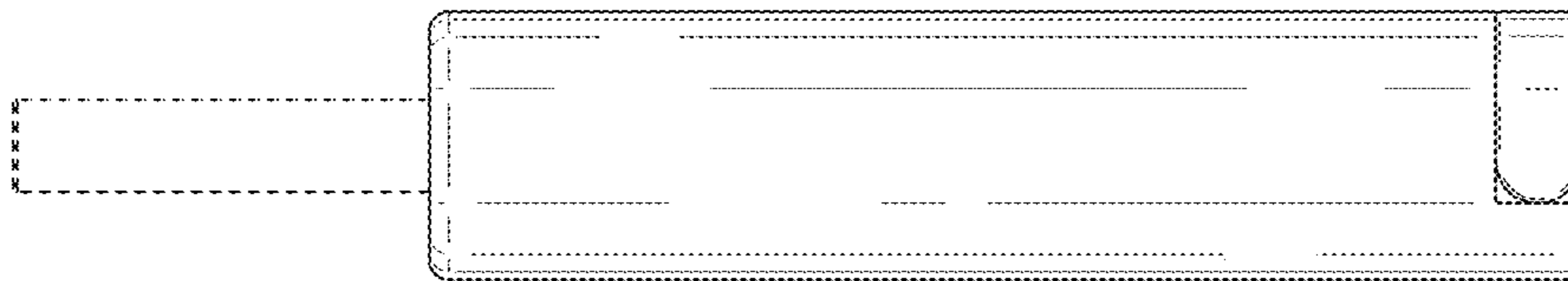


FIG. 6

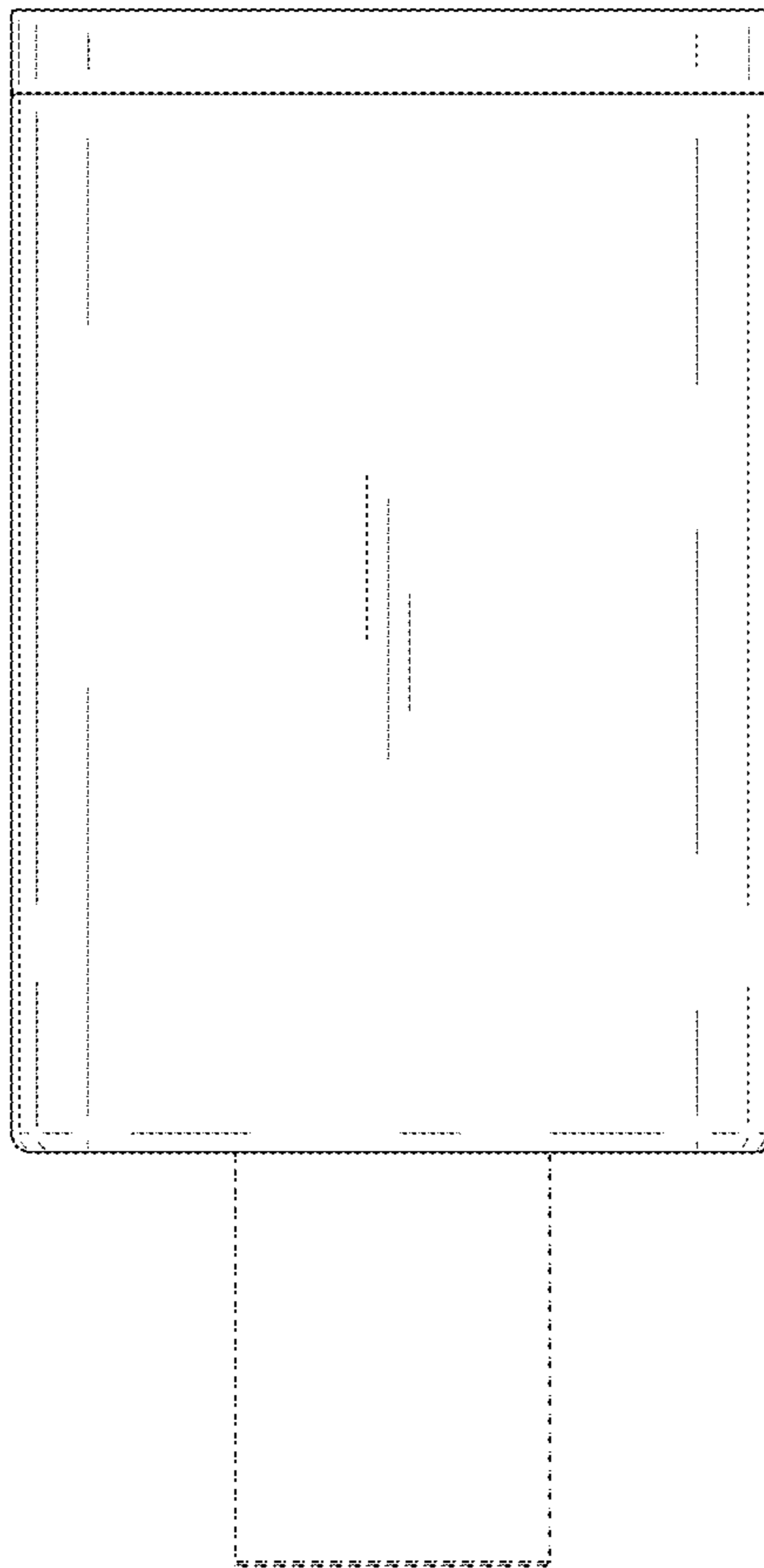


FIG. 7

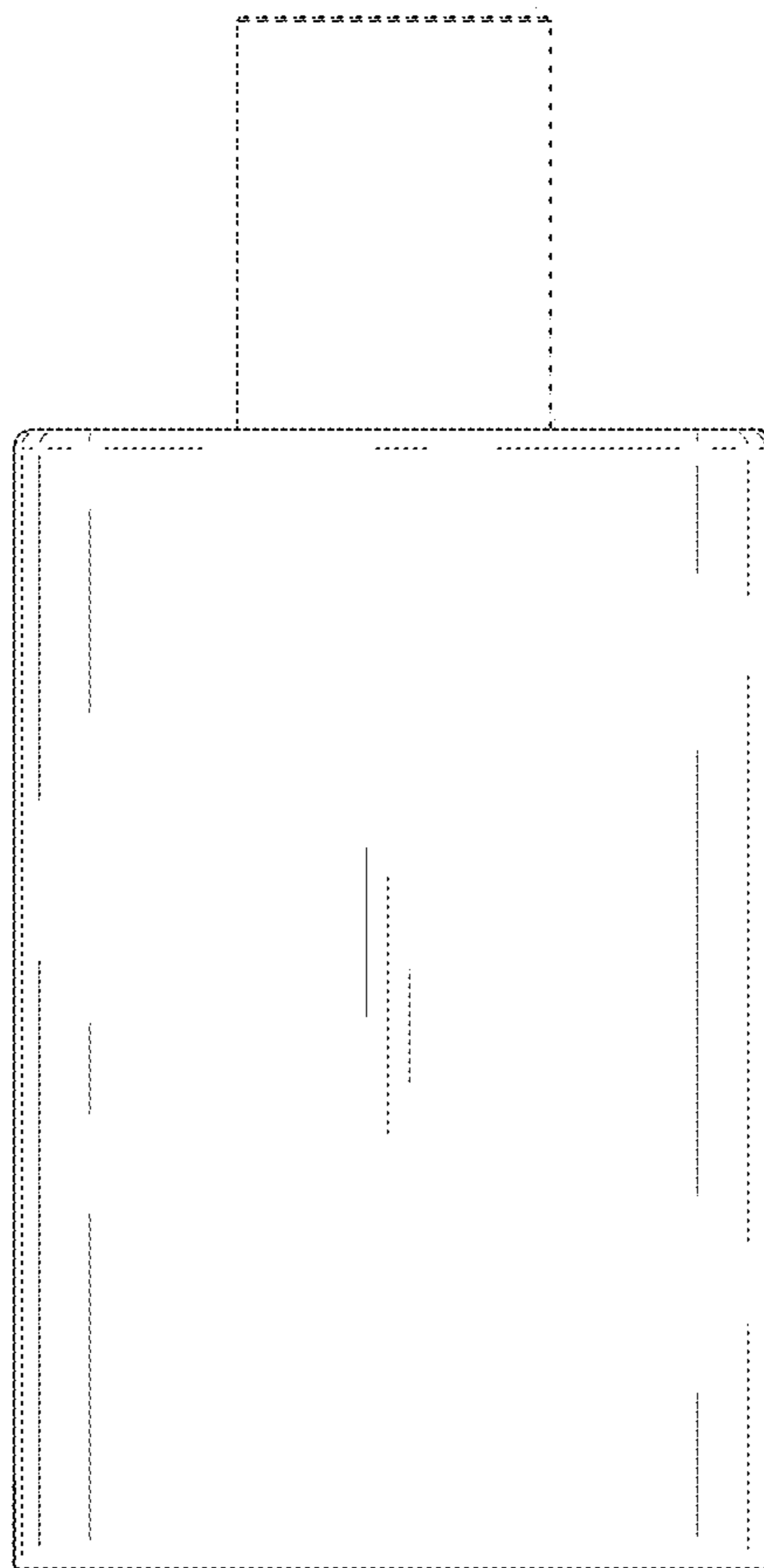


FIG. 8

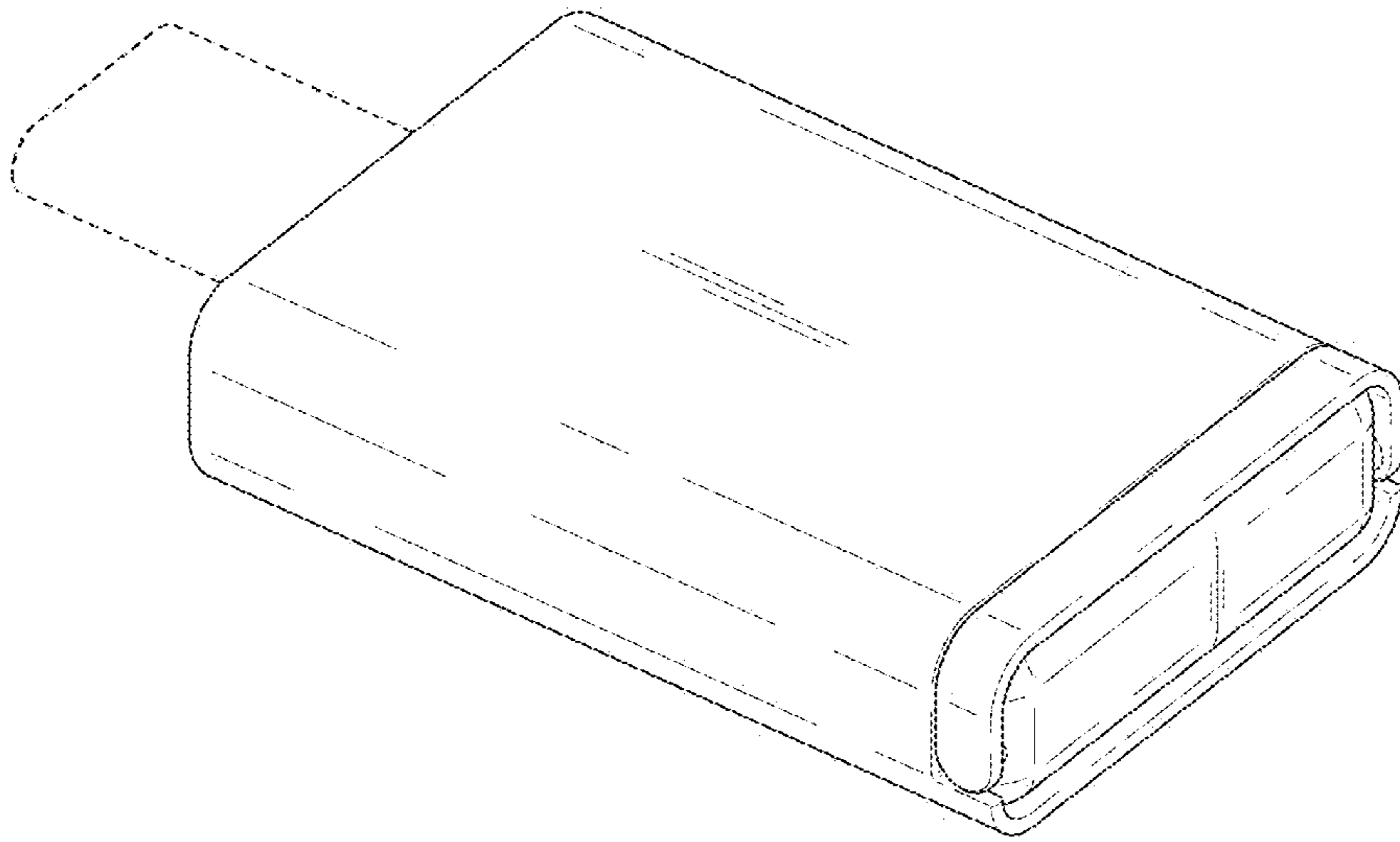


FIG. 9

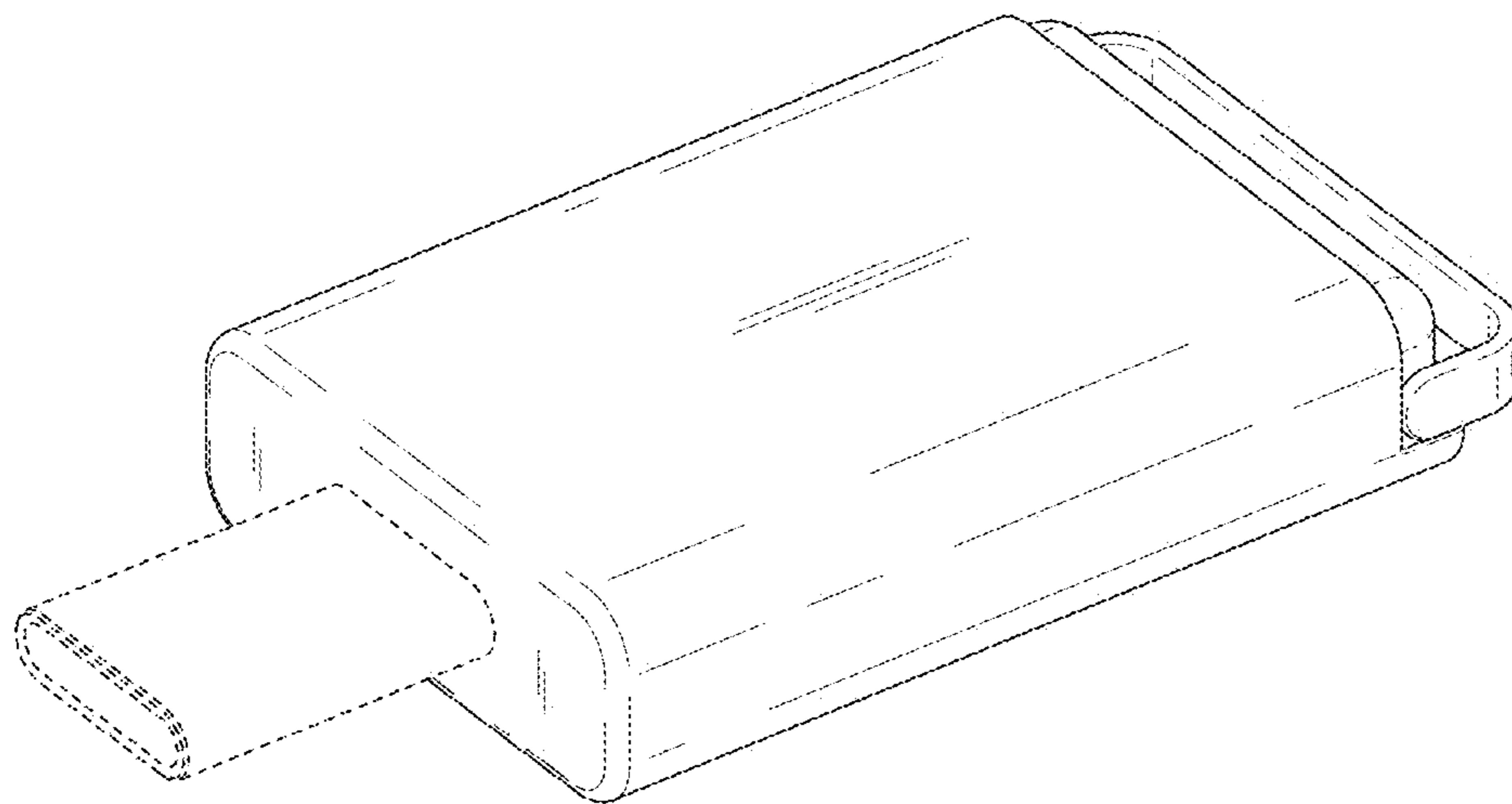


FIG. 10

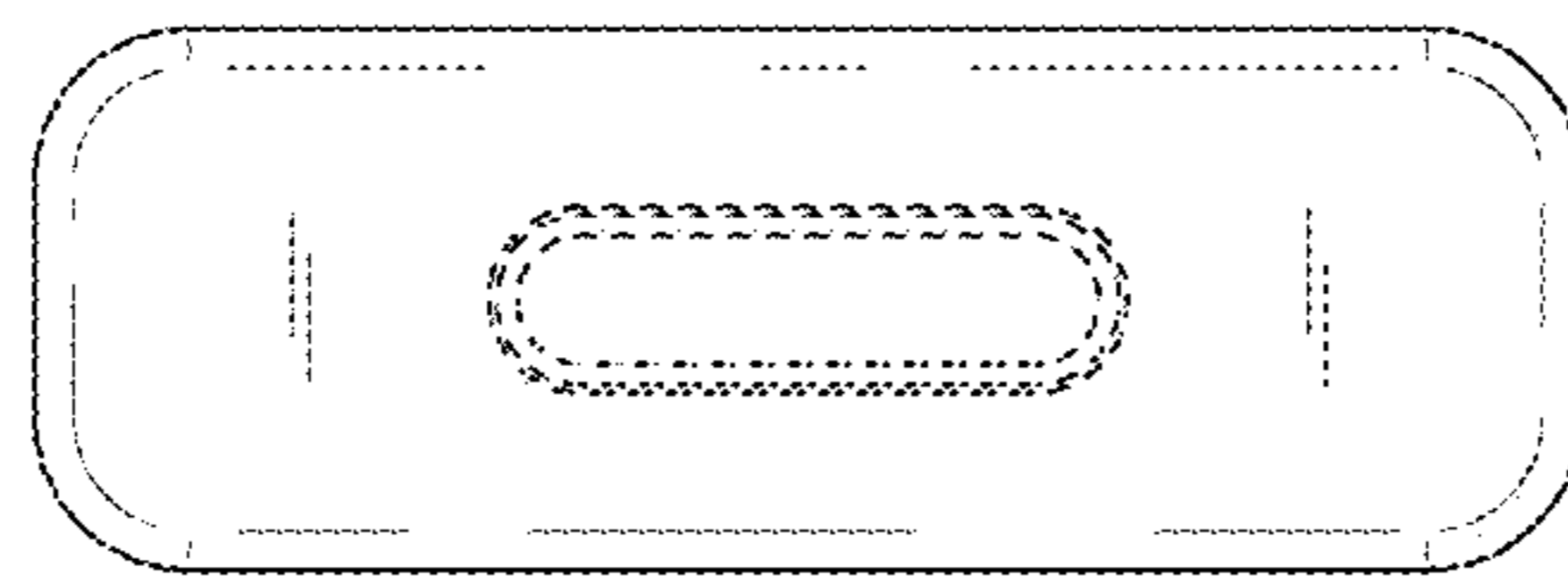


FIG. 11



FIG. 12

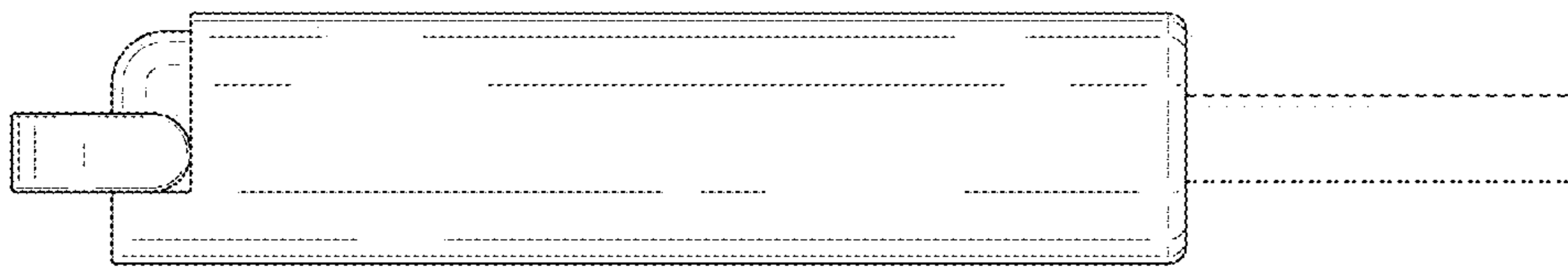


FIG. 13

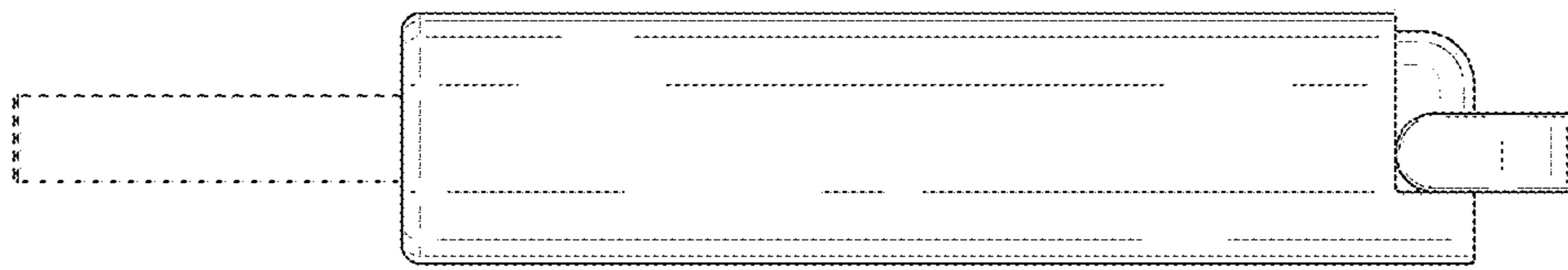


FIG. 14

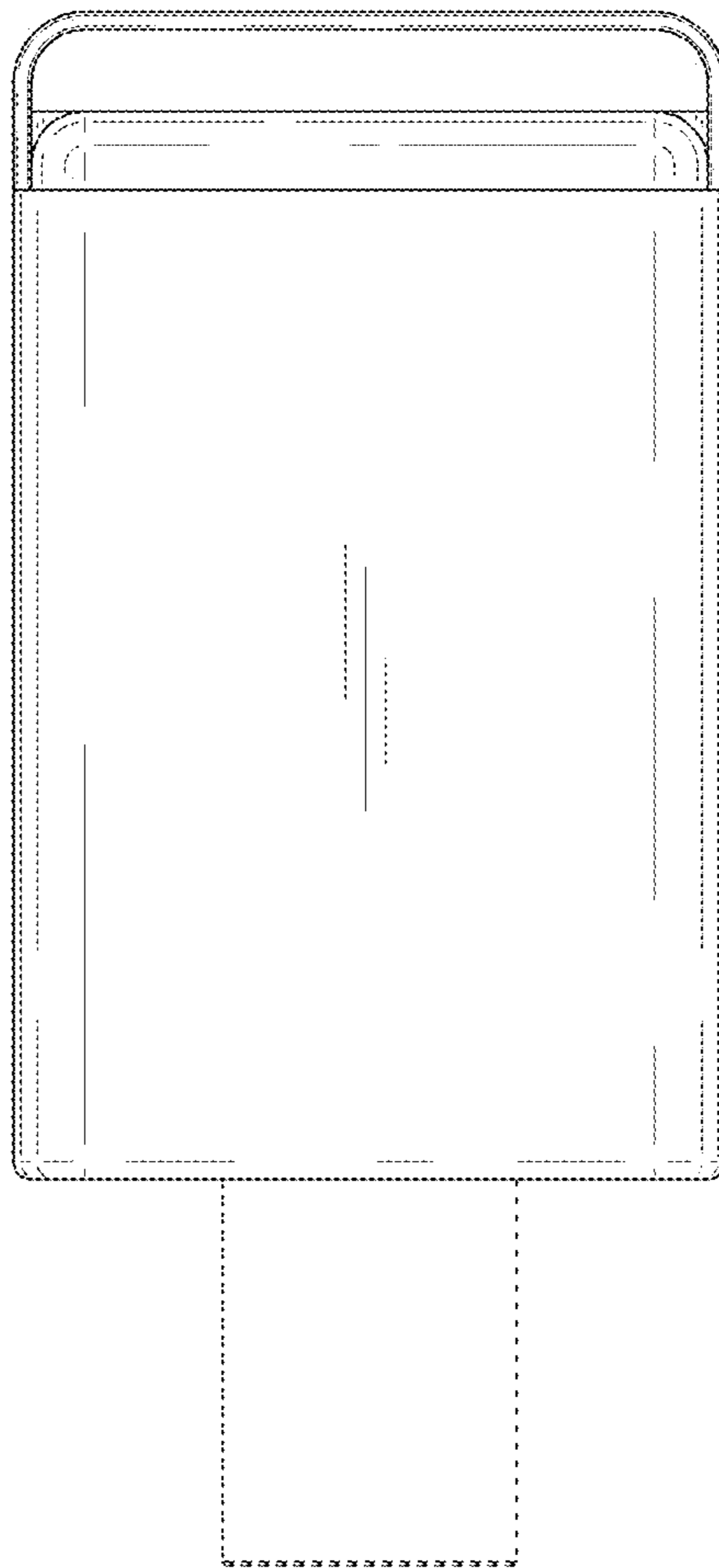


FIG. 15

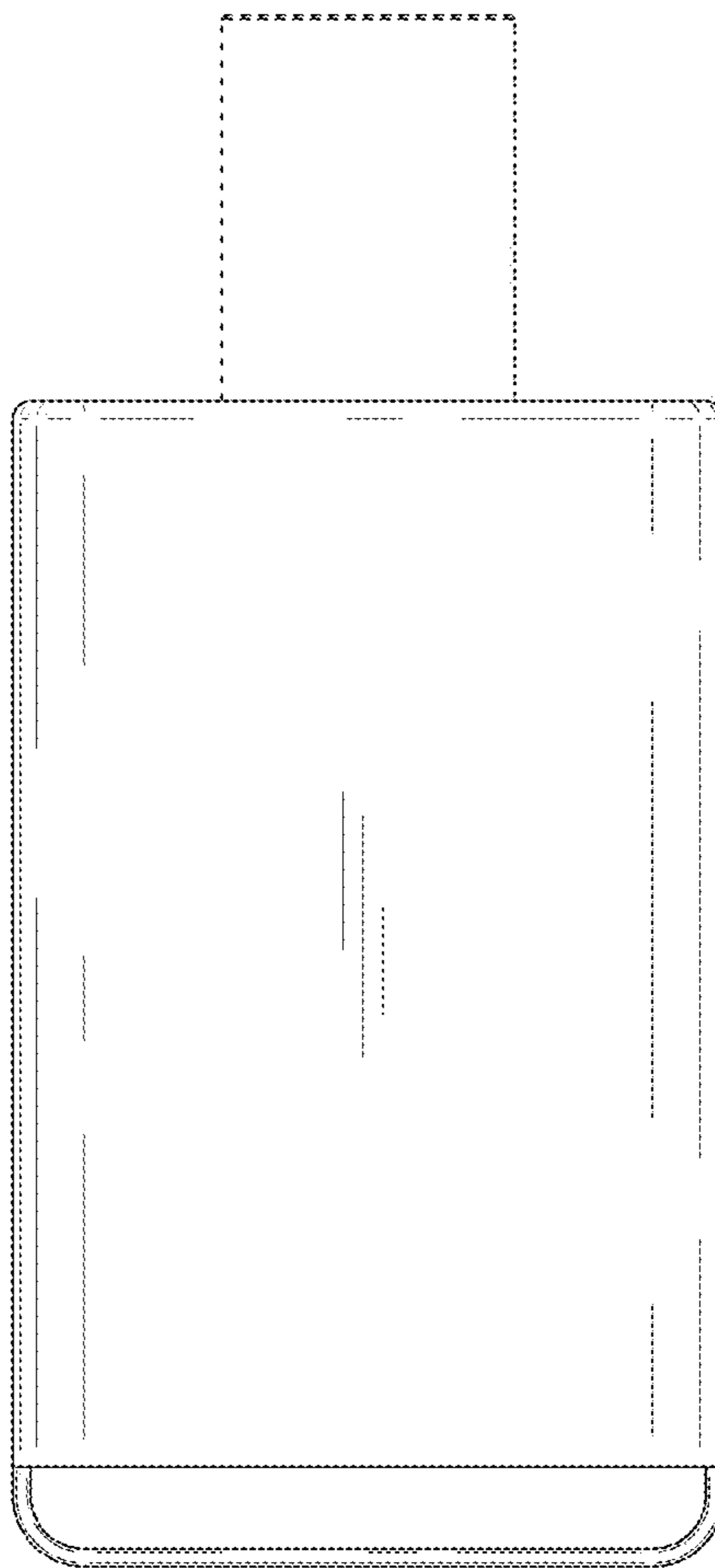


FIG. 16

