



US00D975104S

(12) **United States Design Patent**
Xie

(10) **Patent No.:** **US D975,104 S**
(45) **Date of Patent:** **** Jan. 10, 2023**

(54) **DISPLAY MOUNT**

(71) Applicant: **NINGBO KAIRUI ZHAOZHI TRADING CO., LTD.,** Ningbo (CN)

(72) Inventor: **Menghong Xie,** Shenzhen (CN)

(73) Assignee: **NINGBO KAIRUI ZHAOZHI TRADING CO., LTD.,** Ningbo (CN)

(**) Term: **15 Years**

(21) Appl. No.: **29/760,656**

(22) Filed: **Dec. 3, 2020**

(51) **LOC (14) Cl.** **14-02**

(52) **U.S. Cl.**
USPC **D14/452**

(58) **Field of Classification Search**
USPC D14/239, 371-382, 125-129, 336-337,
D14/447-452, 492, 335, 432, 251-253
CPC G06F 3/0488; G06F 3/04883; G06F 3/023;
G06F 3/0213; G06F 3/0219; G06F
3/0202; G06F 3/0338; G06F 3/03543;
G06F 3/038; G06F 3/011; G06F 3/016;
G06F 1/1616
See application file for complete search history.

(56) **References Cited**

U.S. PATENT DOCUMENTS

D544,489 S *	6/2007	Odds, Jr.	D14/452
D805,085 S *	12/2017	Xiang	D14/452
D872,067 S *	1/2020	Knapp	D14/126
D919,631 S *	5/2021	Shu	D14/452
D923,018 S *	6/2021	Lu	D14/452
D932,499 S *	10/2021	Lu	D14/452
D933,669 S *	10/2021	Carrasquillo	D14/452
D936,069 S *	11/2021	You	D14/452
D936,070 S *	11/2021	You	D14/452
D937,845 S *	12/2021	Zhang	D14/452
D938,959 S *	12/2021	Xie	D14/452

D939,516 S *	12/2021	You	D14/452
D947,858 S *	4/2022	Zhang	D14/452
D949,872 S *	4/2022	You	D14/452
D949,873 S *	4/2022	You	D14/452
D949,874 S *	4/2022	You	D14/452
D950,570 S *	5/2022	You	D14/452
D951,962 S *	5/2022	You	D14/452
D956,769 S *	7/2022	Lin	D14/452

FOREIGN PATENT DOCUMENTS

CA	184584	*	10/2019
EM	002066928-0001	*	7/2012

OTHER PUBLICATIONS

Aliexpress, no announcement date [online], retrieved on Jul. 25, 2022, retrieved from internet, https://www.aliexpress.com/item/2255800606338983.html?gatewayAdapt=4itemAdapt.*

(Continued)

Primary Examiner — Messina L Smith
Assistant Examiner — Noah Perez

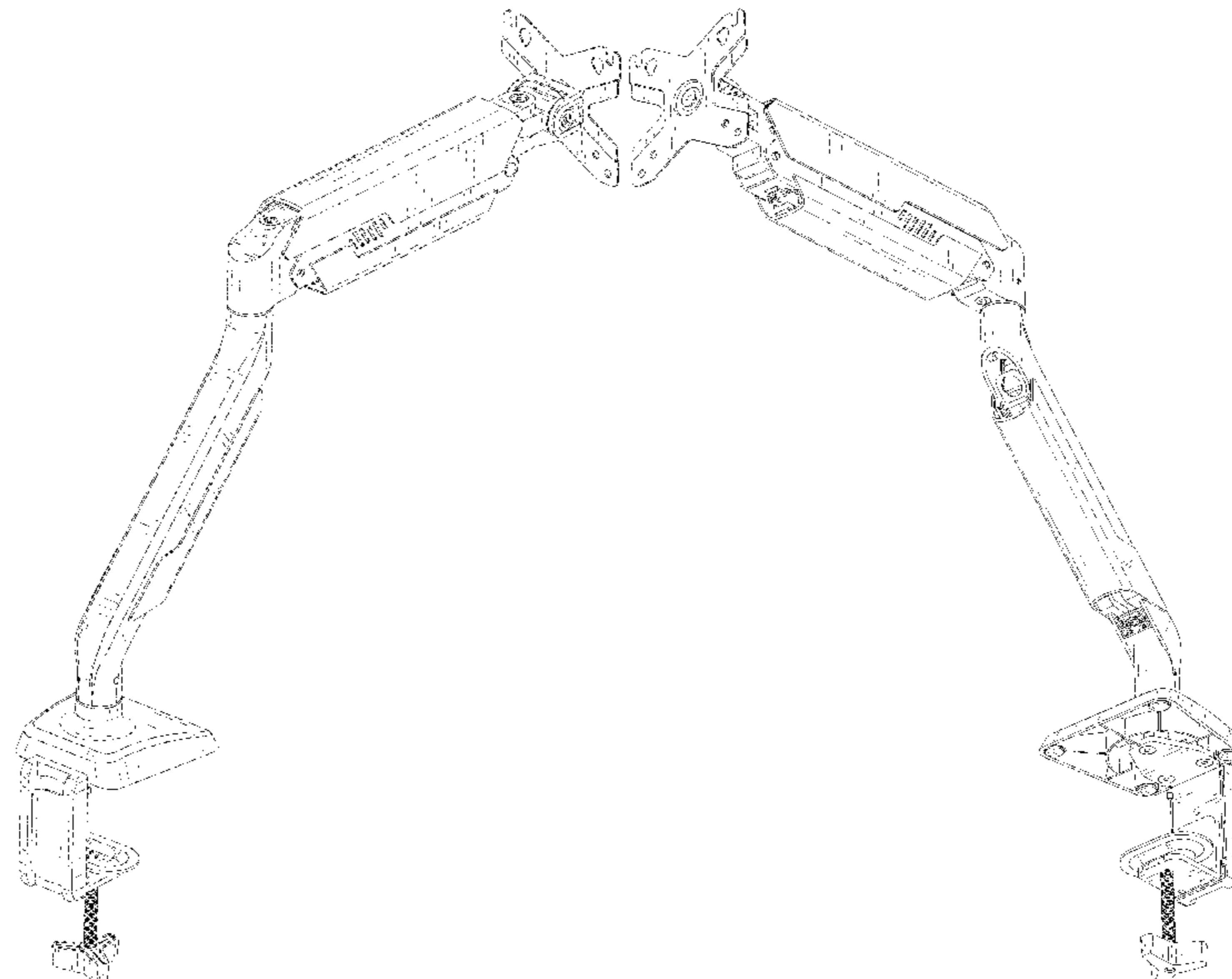
(57) **CLAIM**

The ornamental design for a display mount, as shown and described.

DESCRIPTION

FIG. 1 is a perspective view of a display mount showing my new design;
FIG. 2 is another perspective view thereof;
FIG. 3 is a front elevational view thereof;
FIG. 4 is a rear elevational view thereof;
FIG. 5 is a left side elevational view thereof;
FIG. 6 is a right side elevational view thereof;
FIG. 7 is a top plan view thereof; and,
FIG. 8 is a bottom plan view thereof.
The broken lines in the drawings depict portions of the display mount that form no part of the claimed design.

1 Claim, 8 Drawing Sheets



(56)

References Cited

OTHER PUBLICATIONS

Monitor Stands Now, no announcement date [online], retrieved on Jul. 25, 2022, retrieved from internet, <https://www.monitorstandsnow.com/P-27766/Folding-Computer-Display-Commercial-Use?st=Category&sid=29386>.*

Monitor Stands Now, no announcement date [online], retrieved on Jul. 25, 2022, retrieved from internet, <https://www.monitorstandsnow.com/P-22474/Wall-Mount-Arm-for-Monitors-for-Small-Computer-Screens?st=Category&sid=29386>.*

* cited by examiner

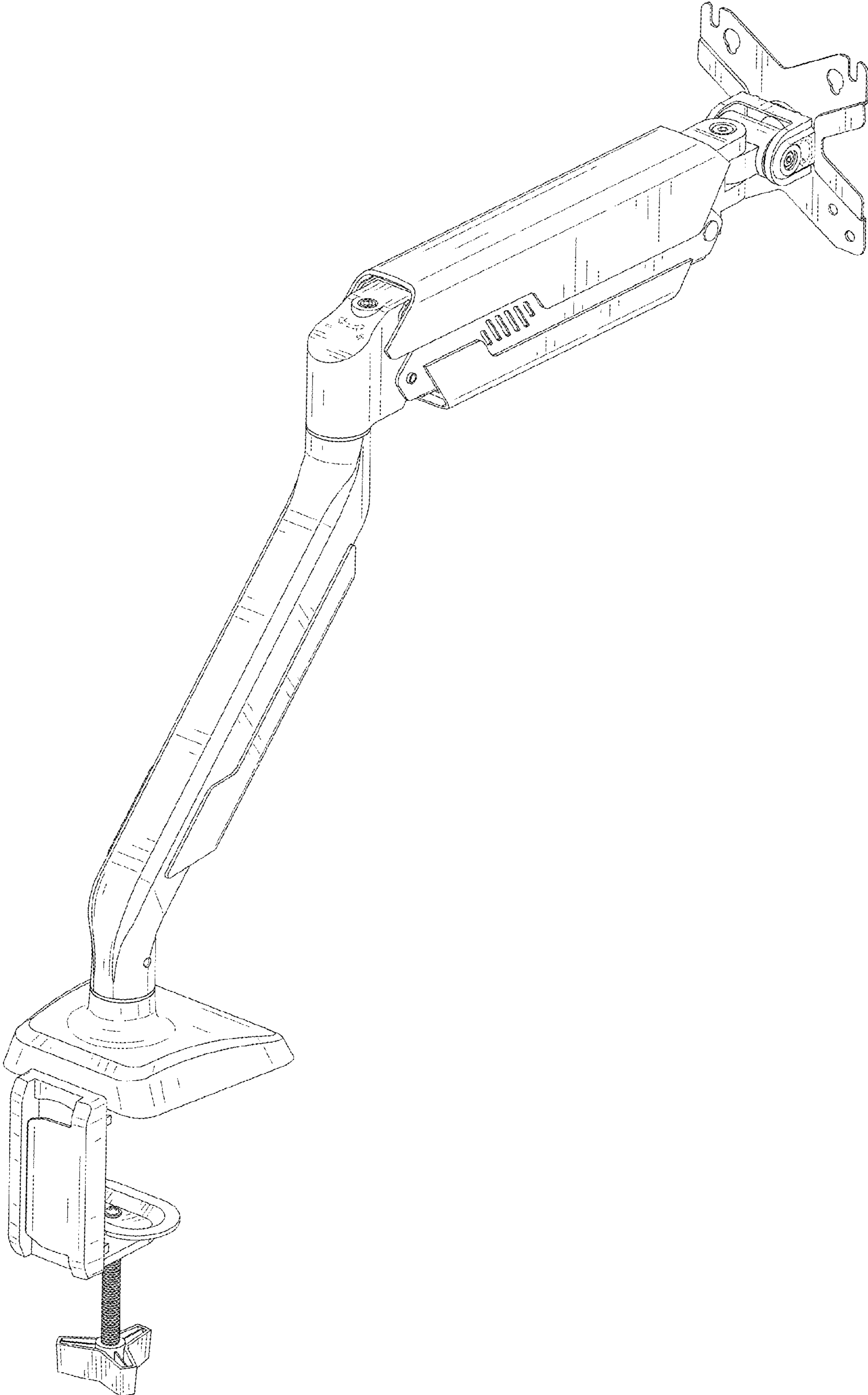


FIG. 1

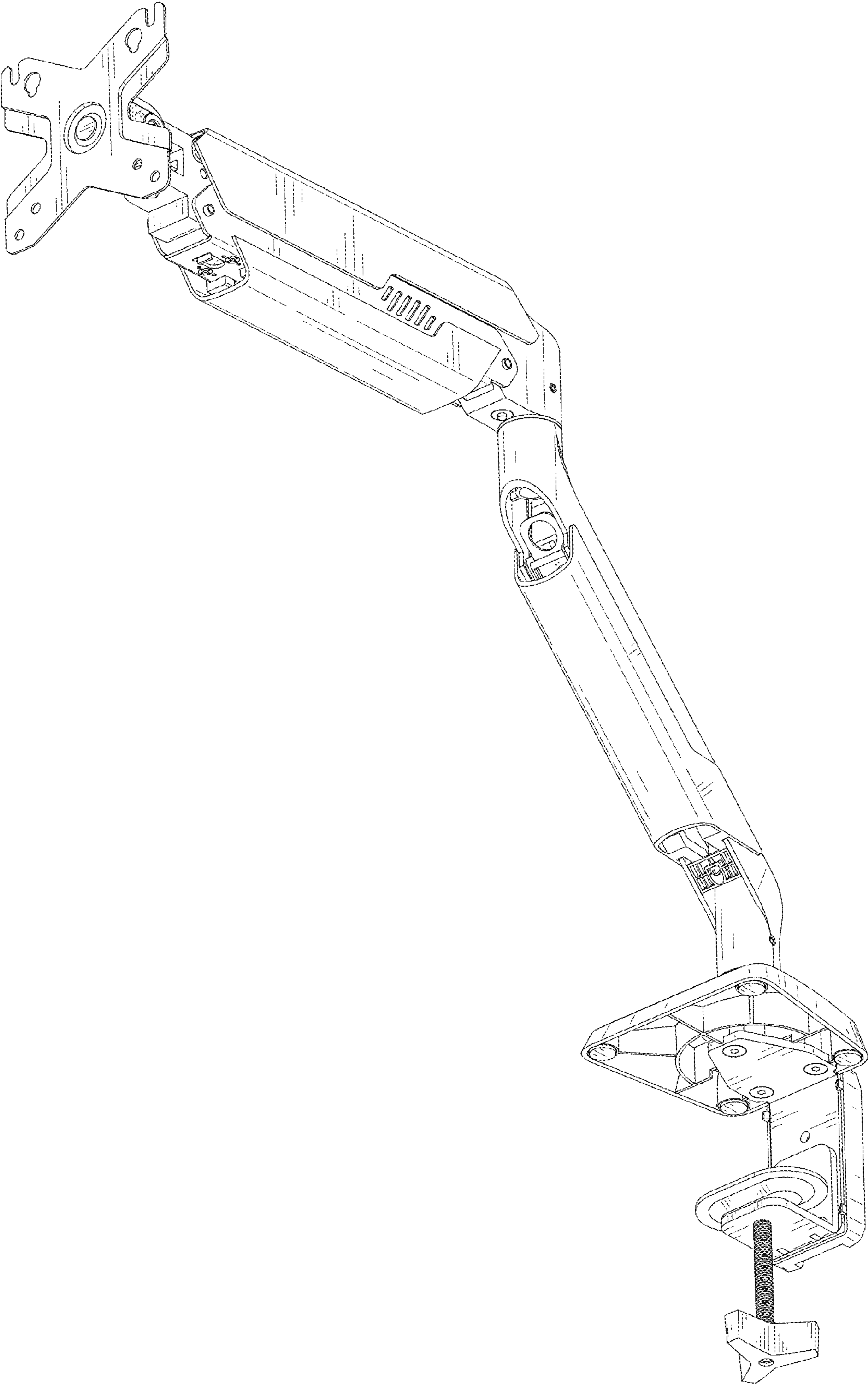


FIG. 2

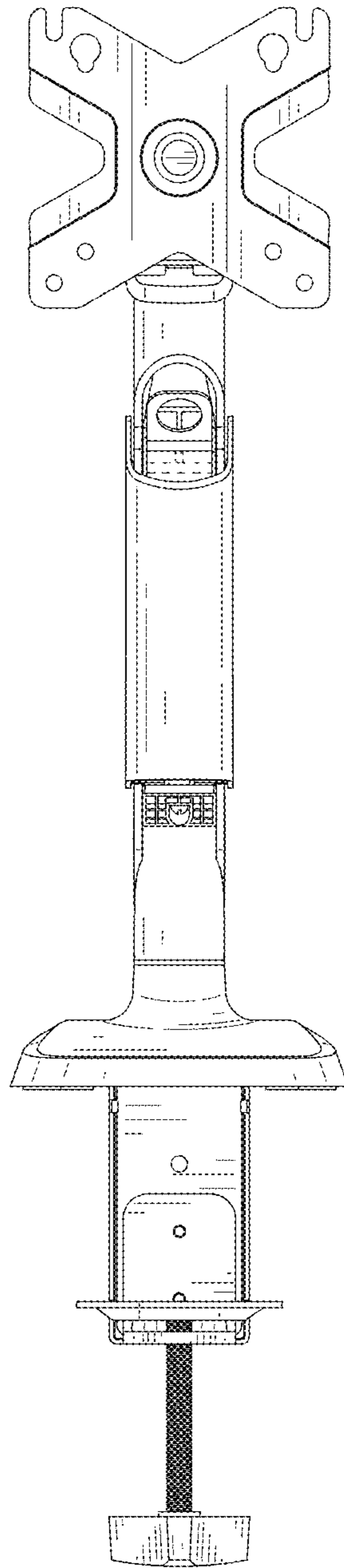


FIG. 3

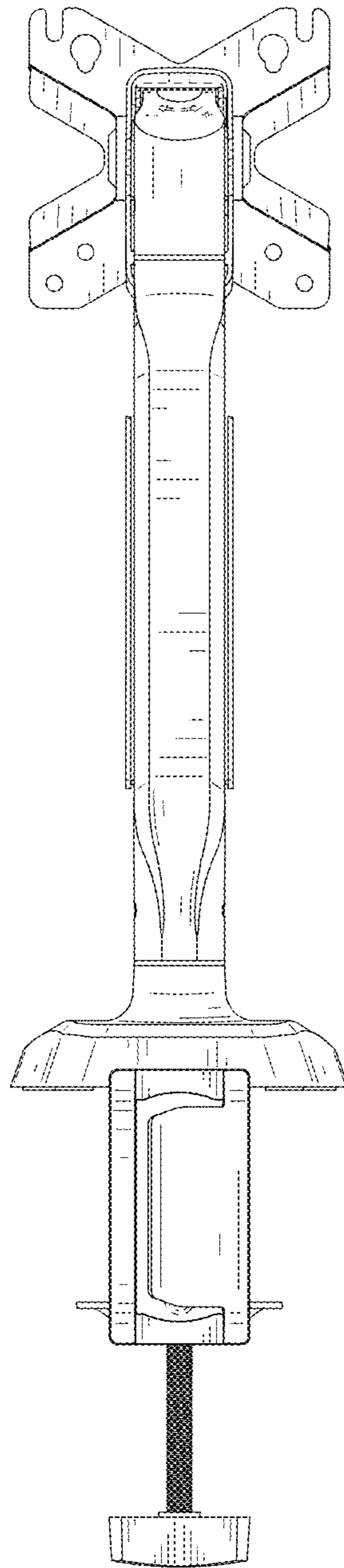


FIG. 4

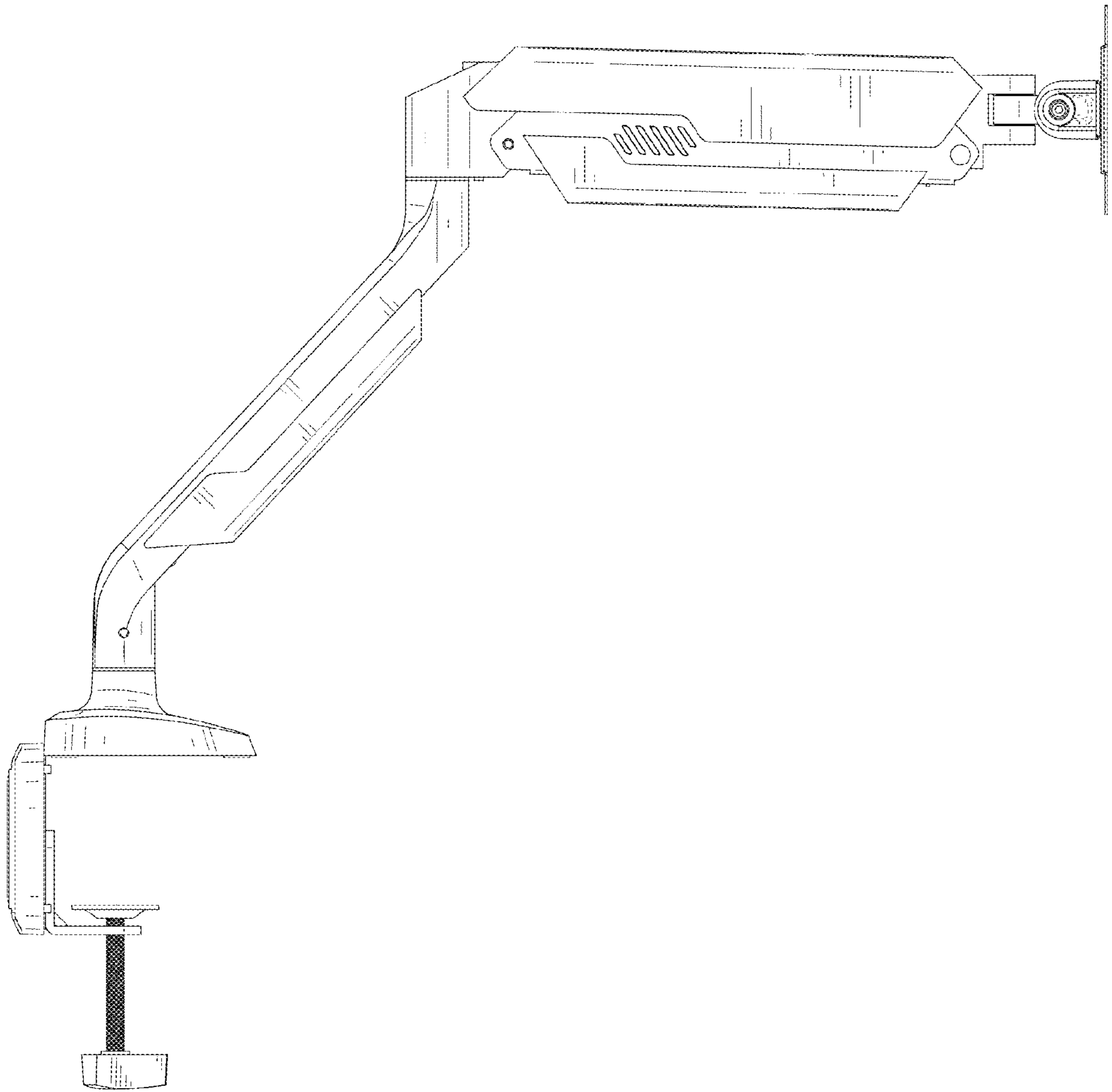


FIG. 5

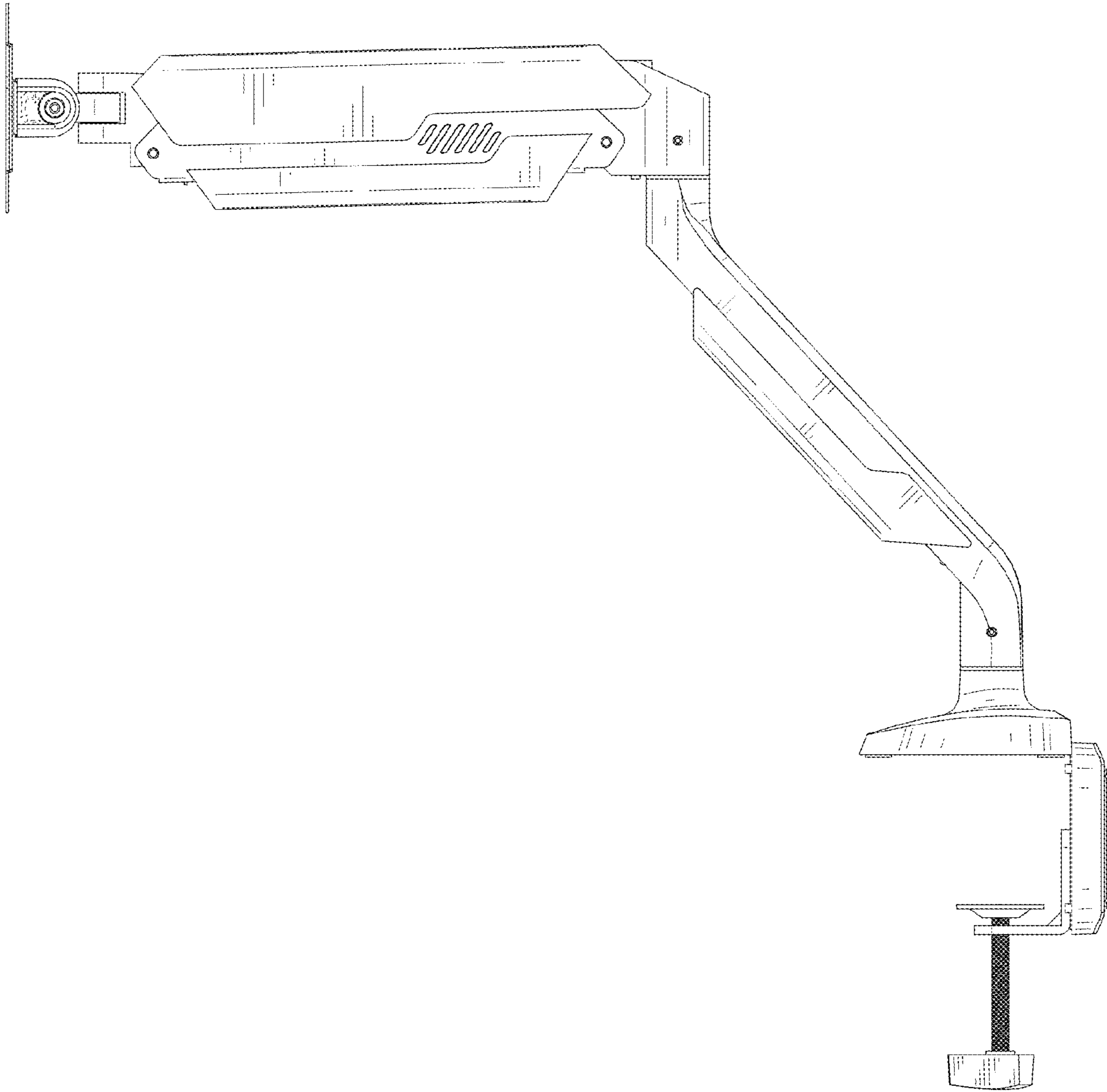


FIG. 6

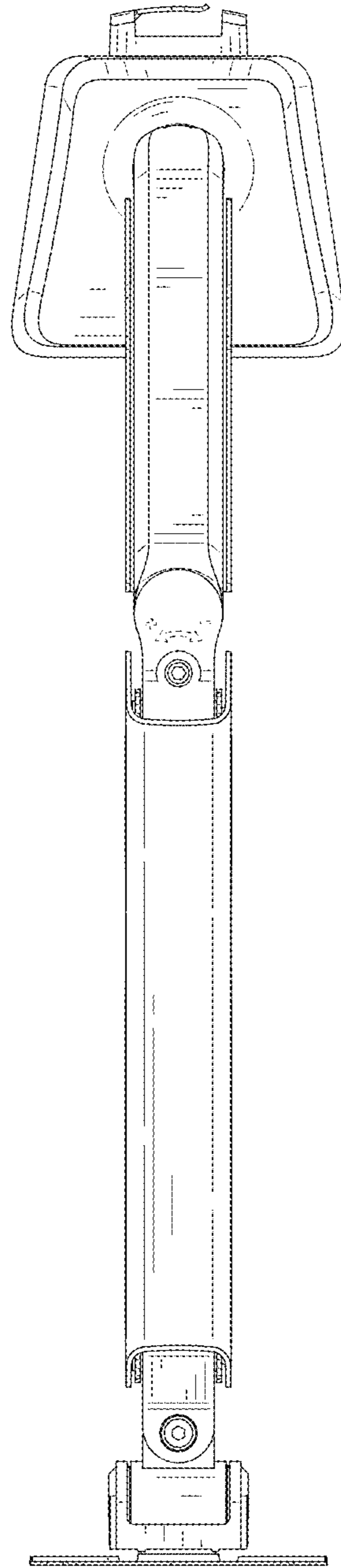


FIG. 7

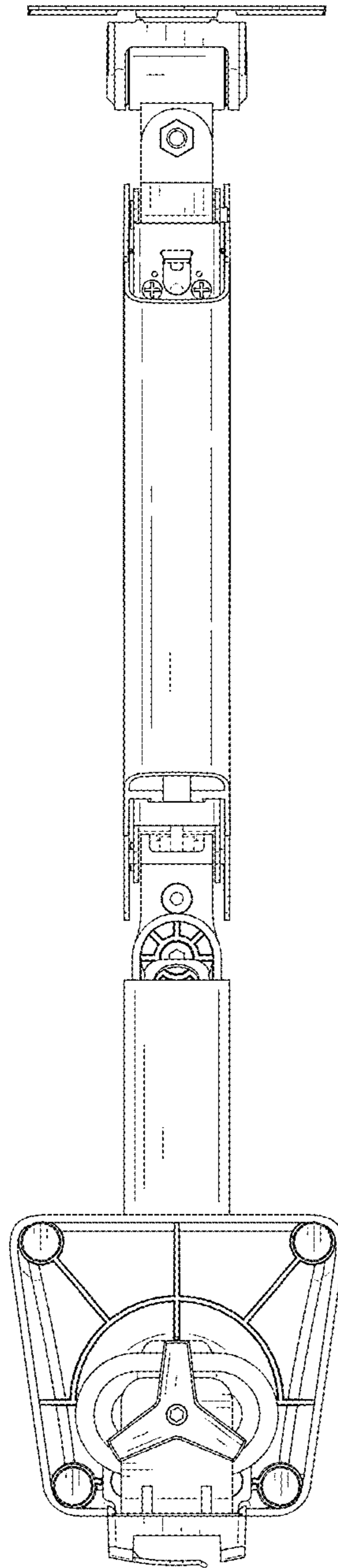


FIG. 8