



US00D975103S

(12) **United States Design Patent**
Zhang

(10) **Patent No.:** **US D975,103 S**
(45) **Date of Patent:** **** Jan. 10, 2023**

- (54) **MONITOR STAND**
- (71) Applicant: **Huilin Wu**, Fujian (CN)
- (72) Inventor: **Zhuanhe Zhang**, Fujian (CN)
- (73) Assignee: **Huilin Wu**, Fujian (CN)
- (**) Term: **15 Years**
- (21) Appl. No.: **29/798,586**
- (22) Filed: **Jul. 8, 2021**
- (51) **LOC (14) Cl.** **14-02**
- (52) **U.S. Cl.**
USPC **D14/451**
- (58) **Field of Classification Search**
CPC G06F 3/0412; G06F 1/13338; G06F 3/016;
G06F 3/0488; G06F 3/011; G06F 3/038;
G06F 3/03543; G06F 3/0338; G06F
3/0202; G06F 3/0219; G06F 3/0213;
G06F 1/1616; G06F 3/023; G06F
3/04883; G09G 3/3648; G02F 1/1313;
G02F 1/1333; G02F 1/135; G02F 1/132;
G02F 1/133308; G02F 1/134309; G02F
1/13718; G06K 15/1252; B41J 2/465;
G03F 7/70921; G02B 27/0172; G02B
5/30; G02B 2027/0118; G02B 27/0101;
F16M 13/02; F16M 13/00; F16M 11/10;
F16M 11/04; F16M 2200/08; F16M
11/2021; A47B 21/0314; A47B 88/044;
A47B 2021/0335; H02G 3/126; F16B
47/00; F16B 47/006; A47G 1/17; A47K
2201/00

See application file for complete search history.

(56) **References Cited**

U.S. PATENT DOCUMENTS

- D300,290 S * 3/1989 Moberg D6/682.2
- D385,126 S * 10/1997 Howland D6/406.6

- 6,152,417 A * 11/2000 Randall A47B 23/001
248/456
- D587,664 S * 3/2009 Cometti D14/126
- D588,373 S * 3/2009 Rushton D6/406.6
- D647,667 S * 10/2011 Siklosi D30/131
- D651,214 S * 12/2011 Yoo D14/448
- D753,642 S * 4/2016 Imuro D14/253
- D774,650 S * 12/2016 Williams D24/185
- D800,136 S * 10/2017 Chen D14/451
- D829,768 S * 10/2018 Lippitt D14/188
- 10,258,151 B2 * 4/2019 Nivens A47B 27/00
- D895,631 S * 9/2020 Kanter D14/451

* cited by examiner

Primary Examiner — Katie Jane Stofko

(74) *Attorney, Agent, or Firm* — ScienBiziP, P.C.

(57) **CLAIM**

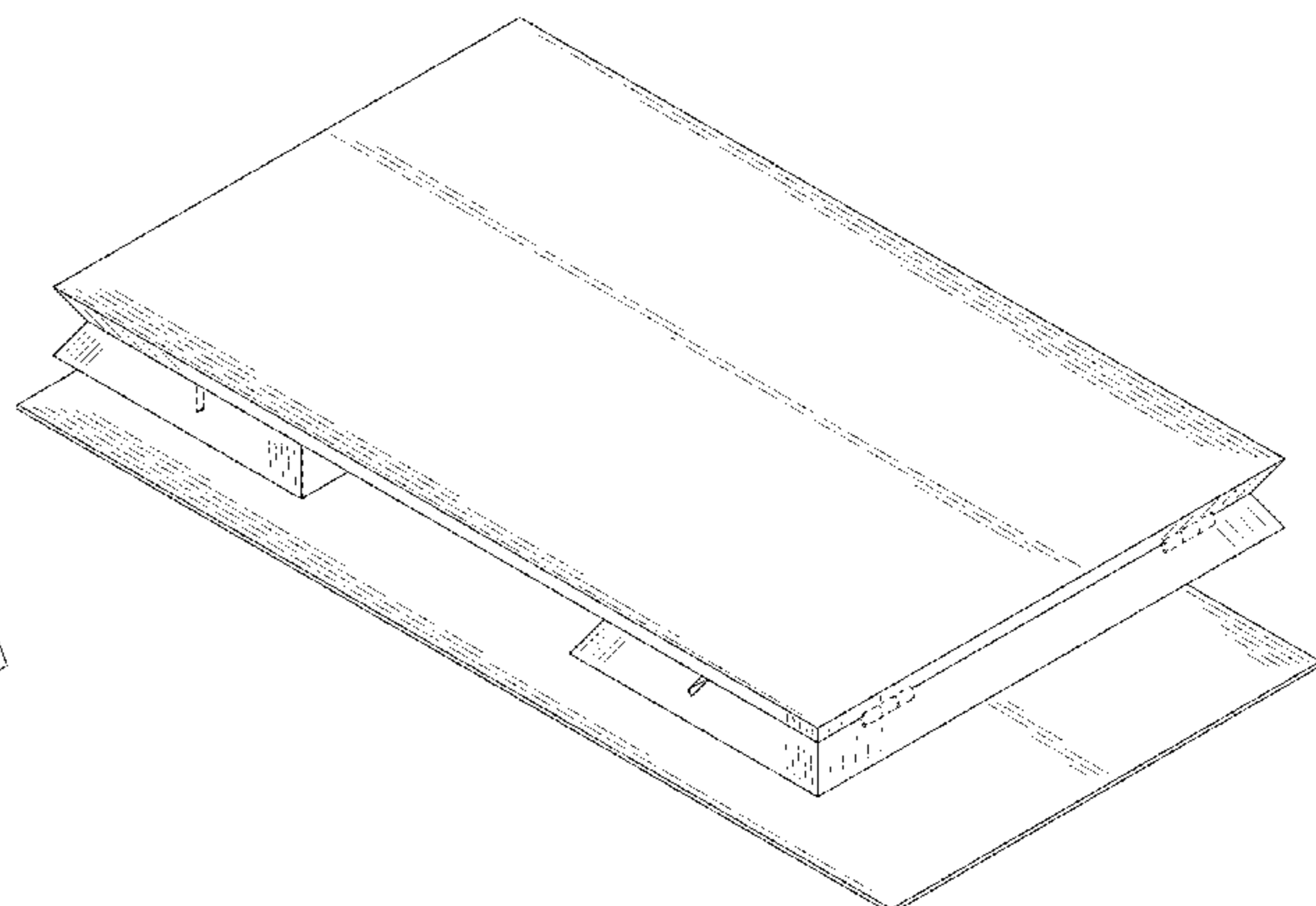
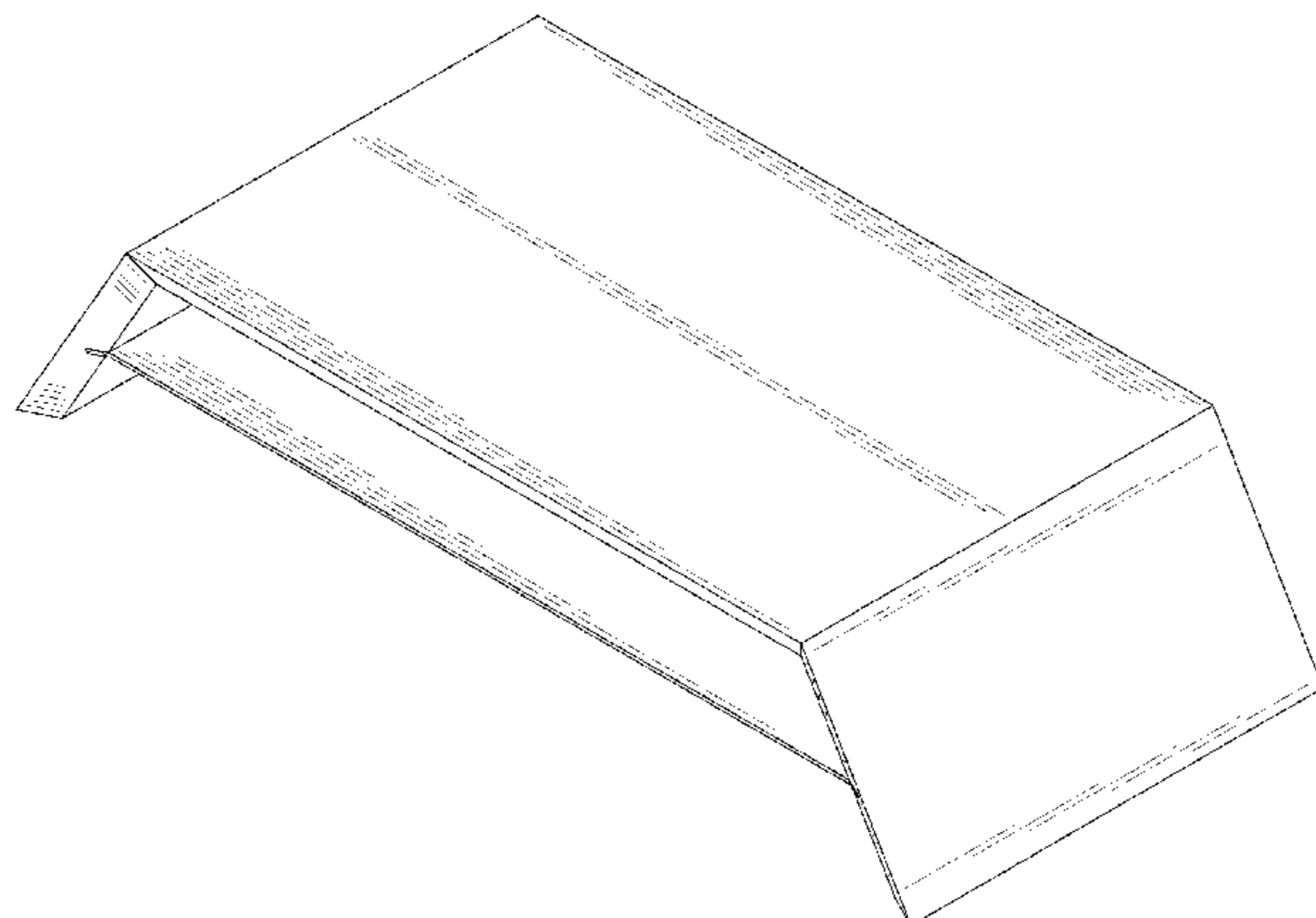
The ornamental design for a monitor stand, as shown and described.

DESCRIPTION

FIG. 1 is a front, right and top perspective view of a monitor stand, showing my new design;
 FIG. 2 is a rear, left and bottom perspective view thereof;
 FIG. 3 is a front elevation view thereof;
 FIG. 4 is a rear elevation view thereof;
 FIG. 5 is a left side elevation view thereof;
 FIG. 6 is a right side elevation view thereof;
 FIG. 7 is a top plan view thereof; and
 FIG. 8 is a bottom plan view thereof; and,
 FIG. 9 is another front, right, and top perspective view of the monitor stand of FIG. 1, wherein the monitor stand is in a folded state.

The broken lines shown in the drawings are included for the purpose of illustrating portions of the monitor stand that form no part of the claimed design.

1 Claim, 9 Drawing Sheets



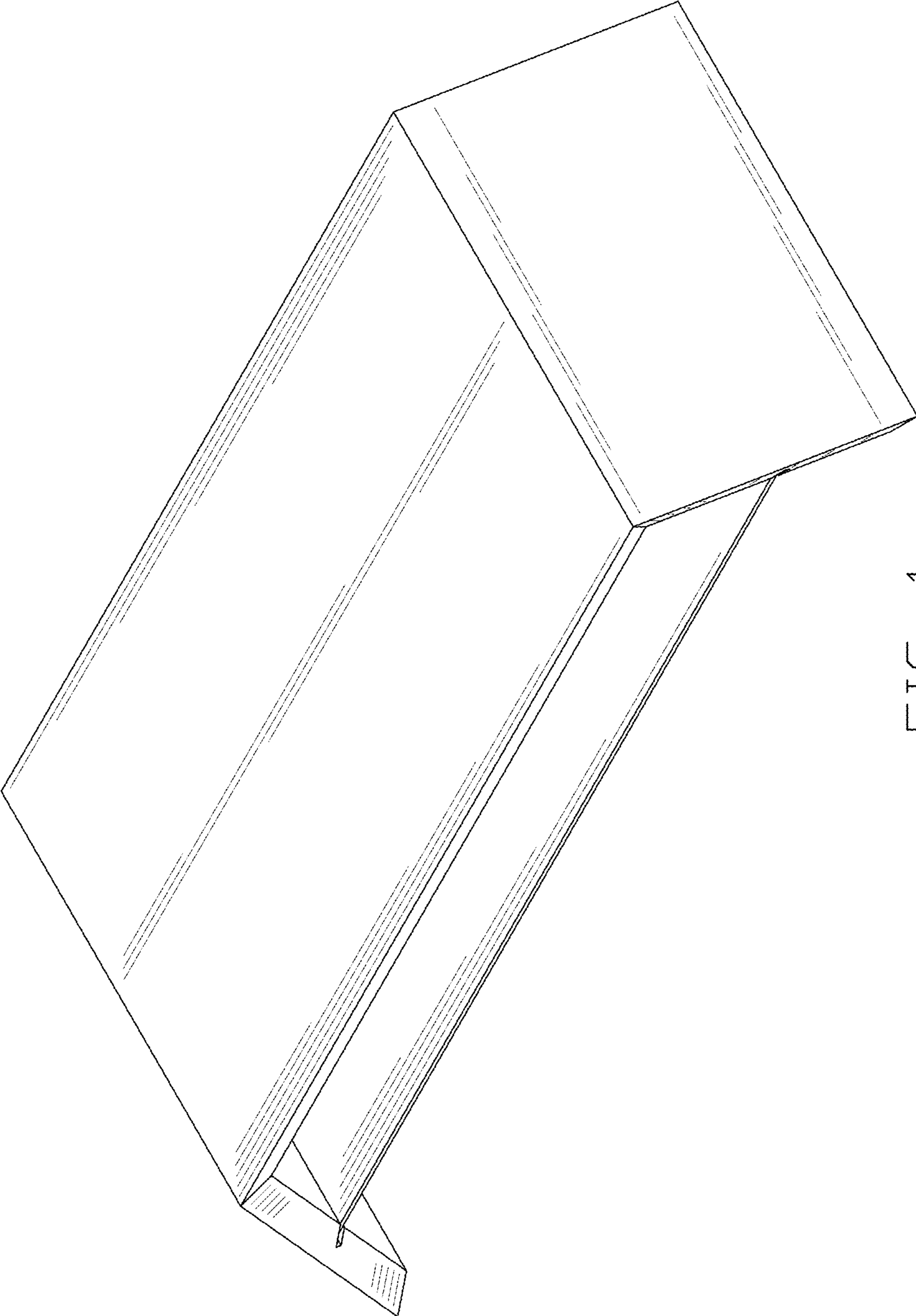


FIG. 1

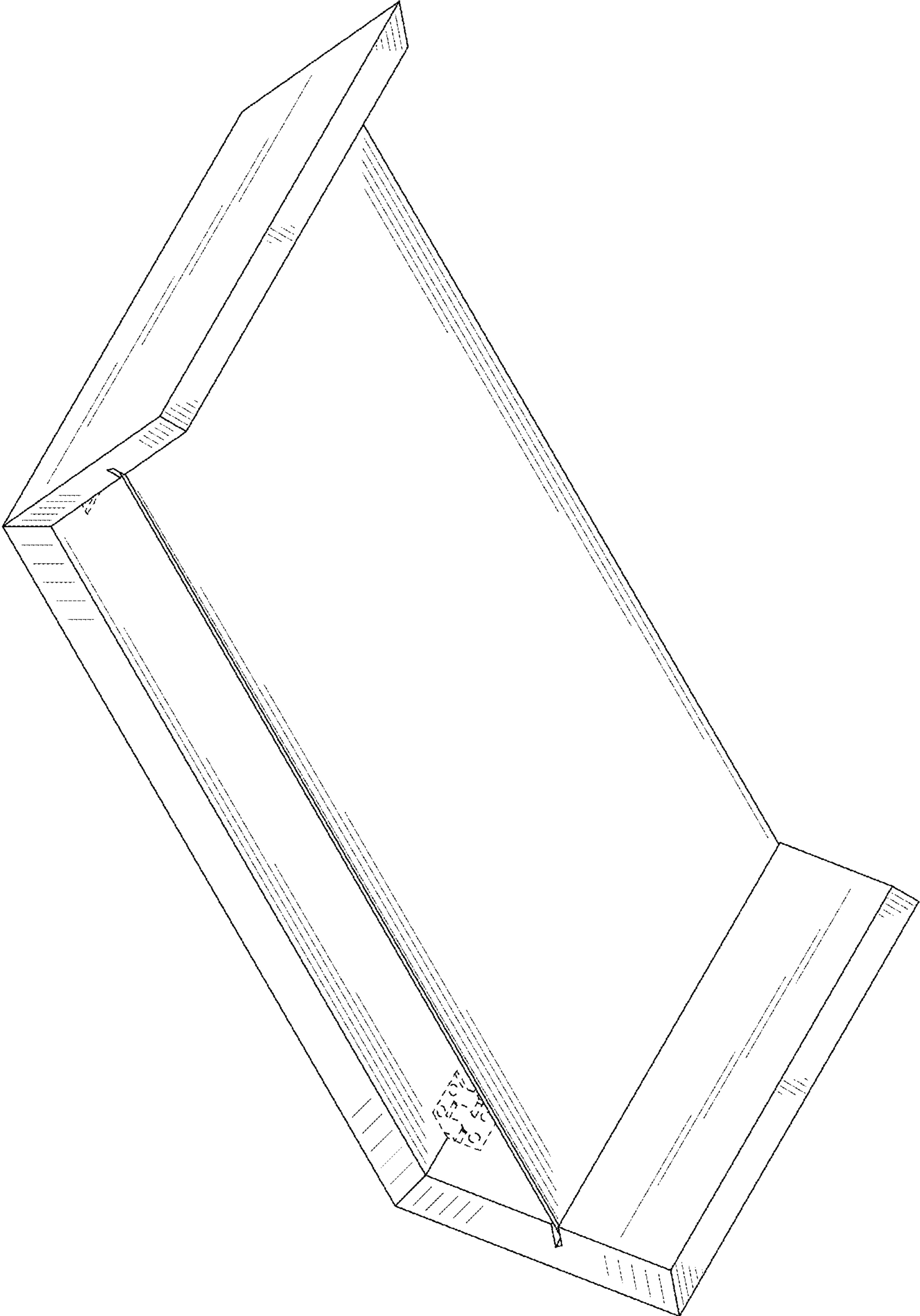


FIG. 2

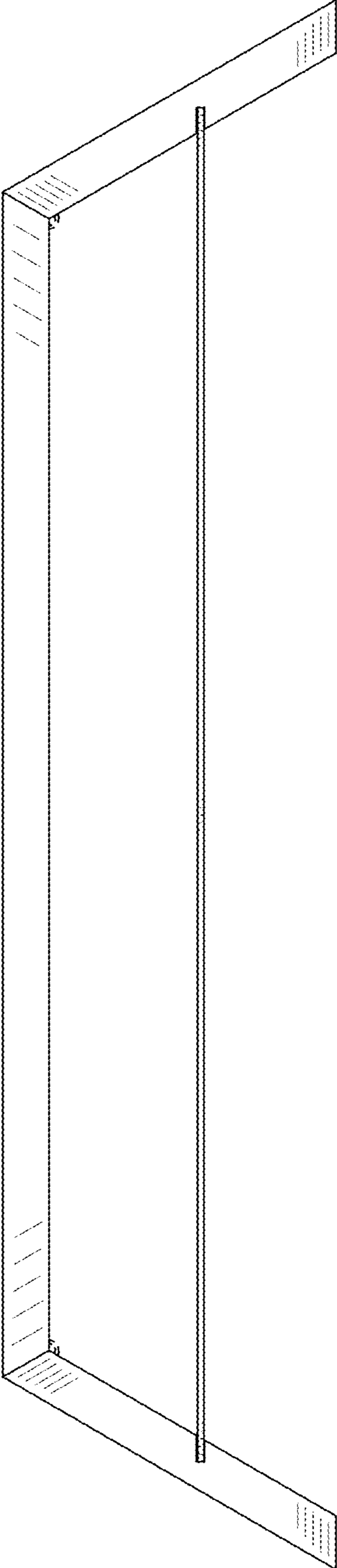


FIG. 3

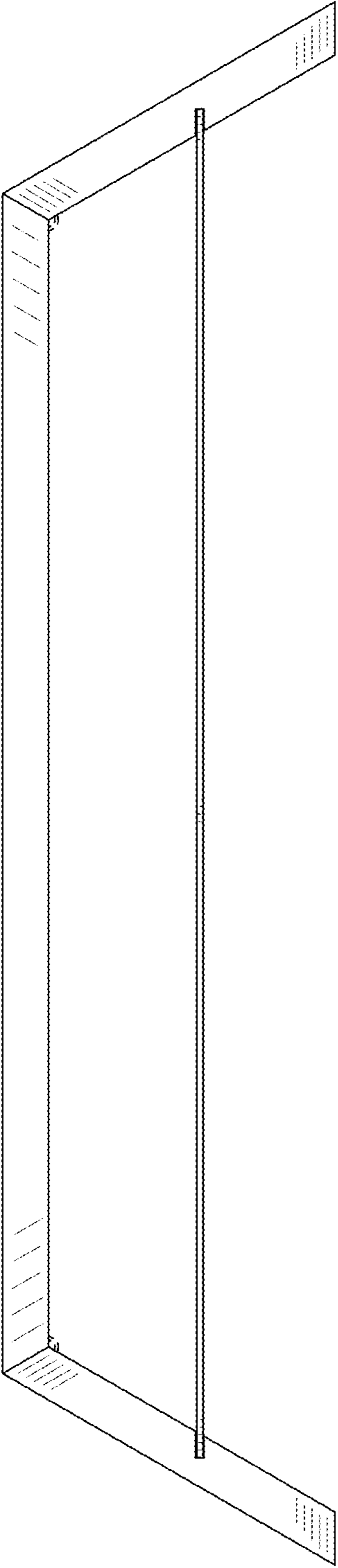


FIG. 4

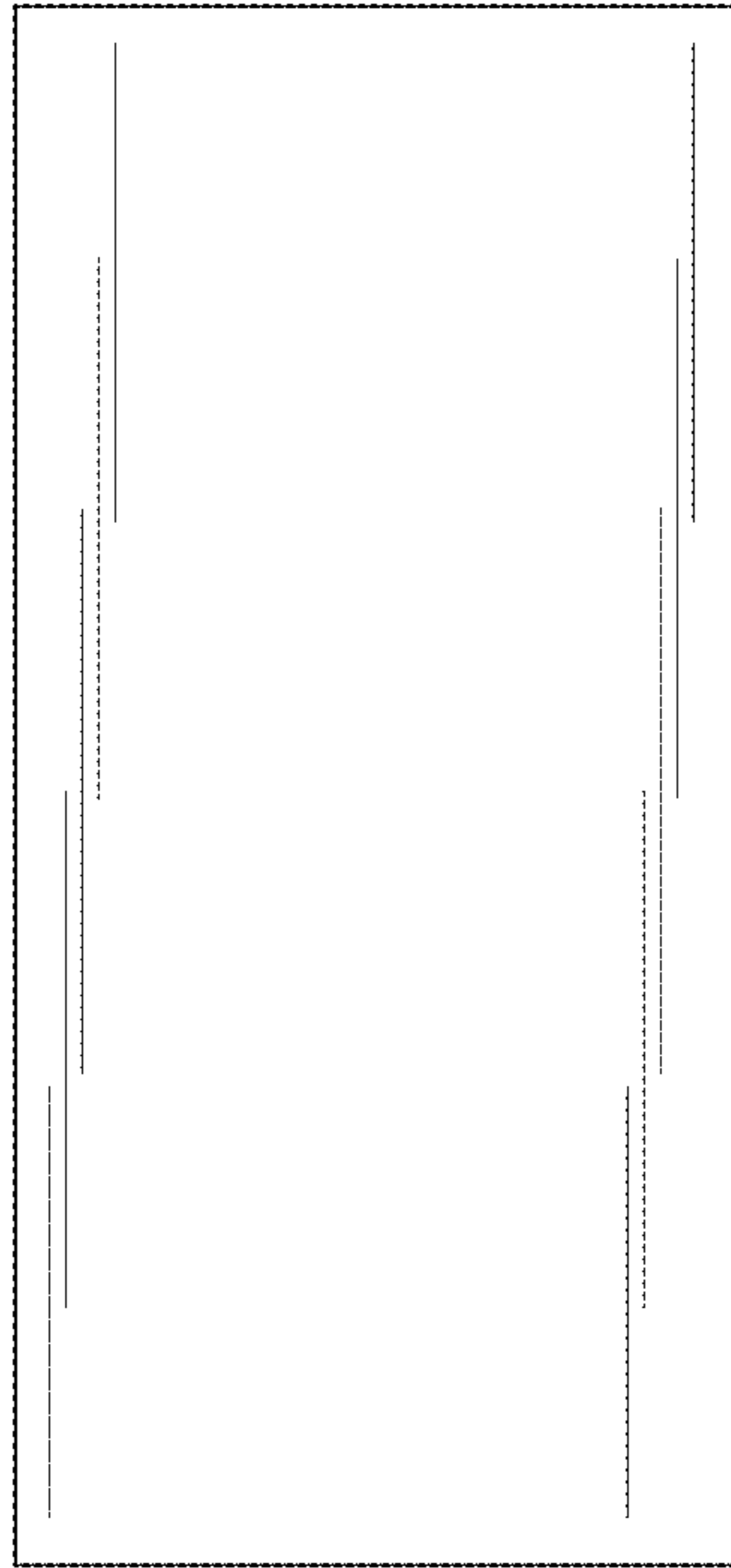


FIG. 5

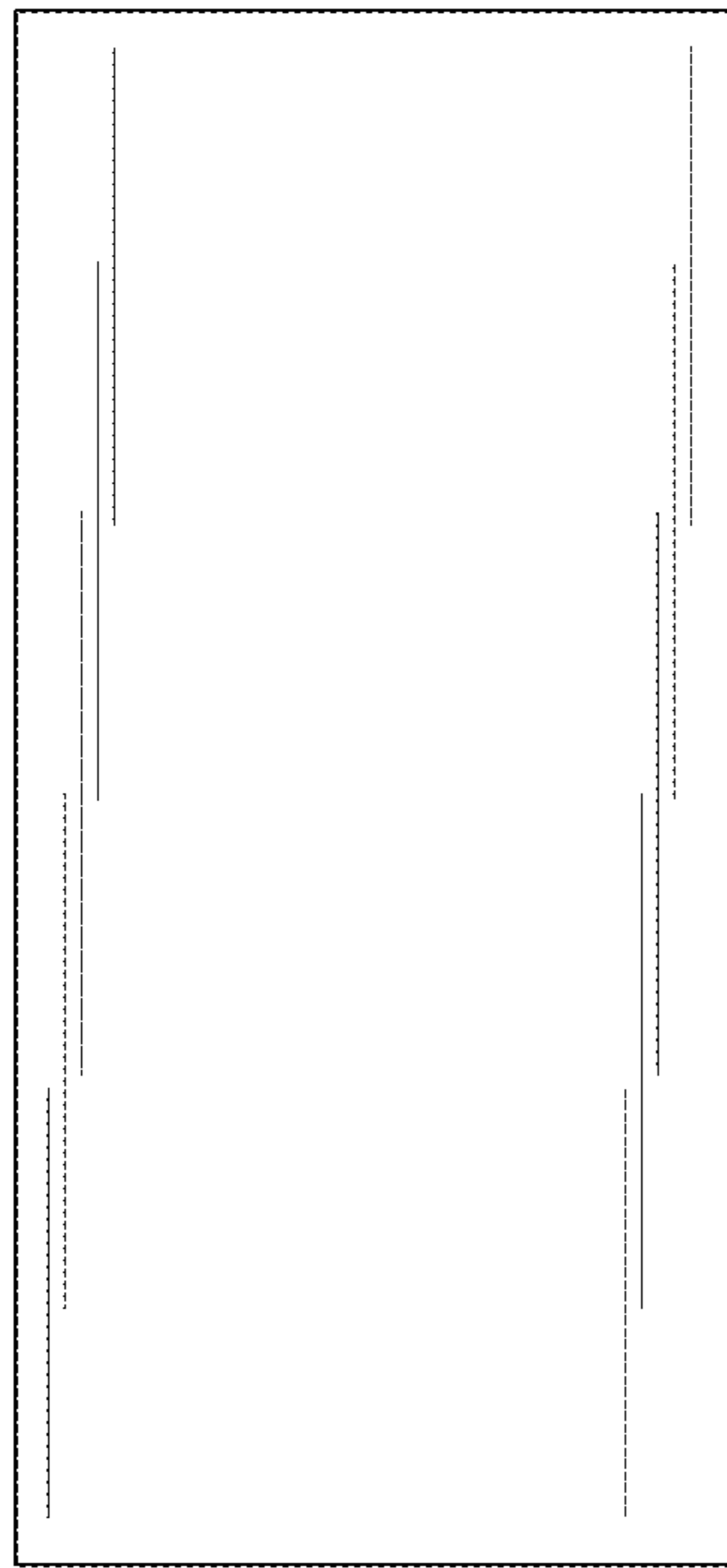


FIG. 6

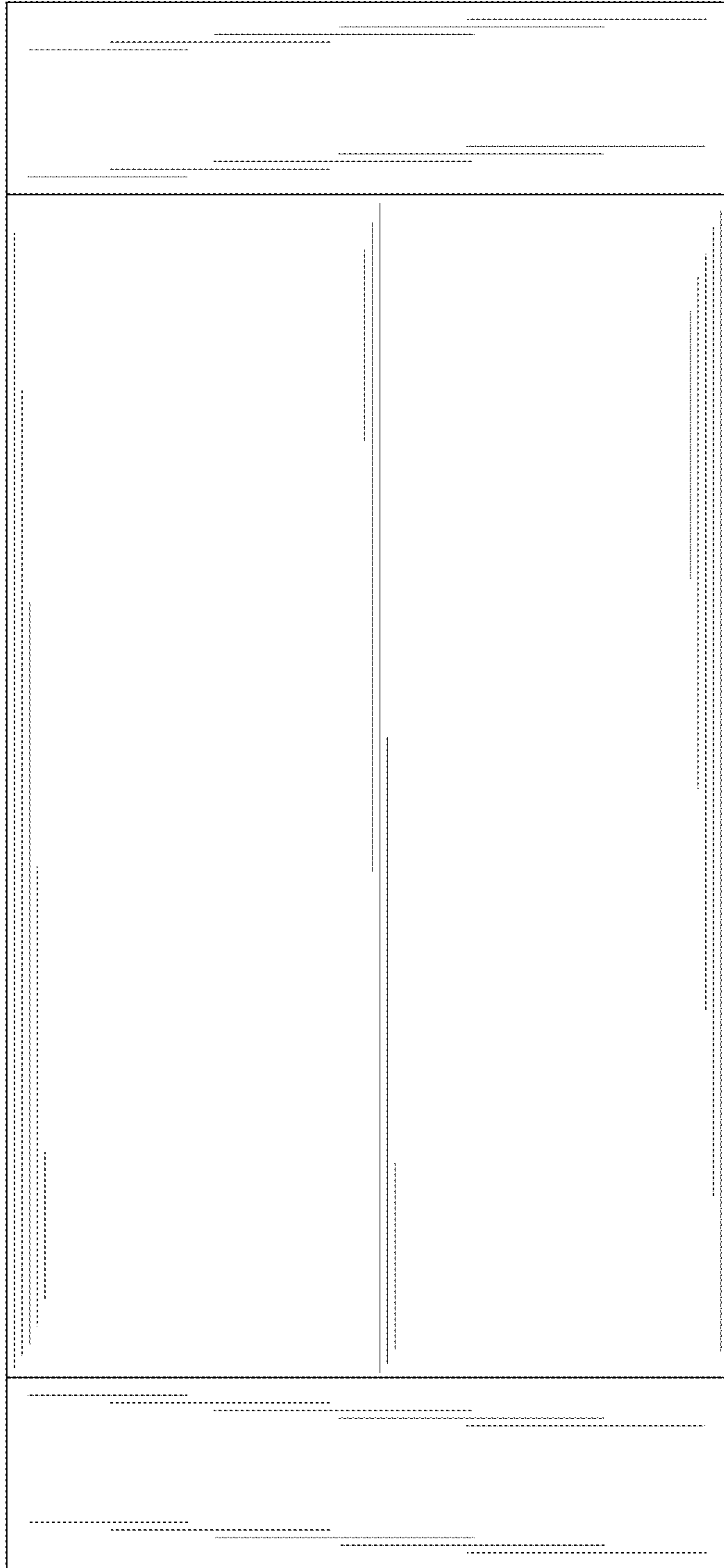


FIG. 7

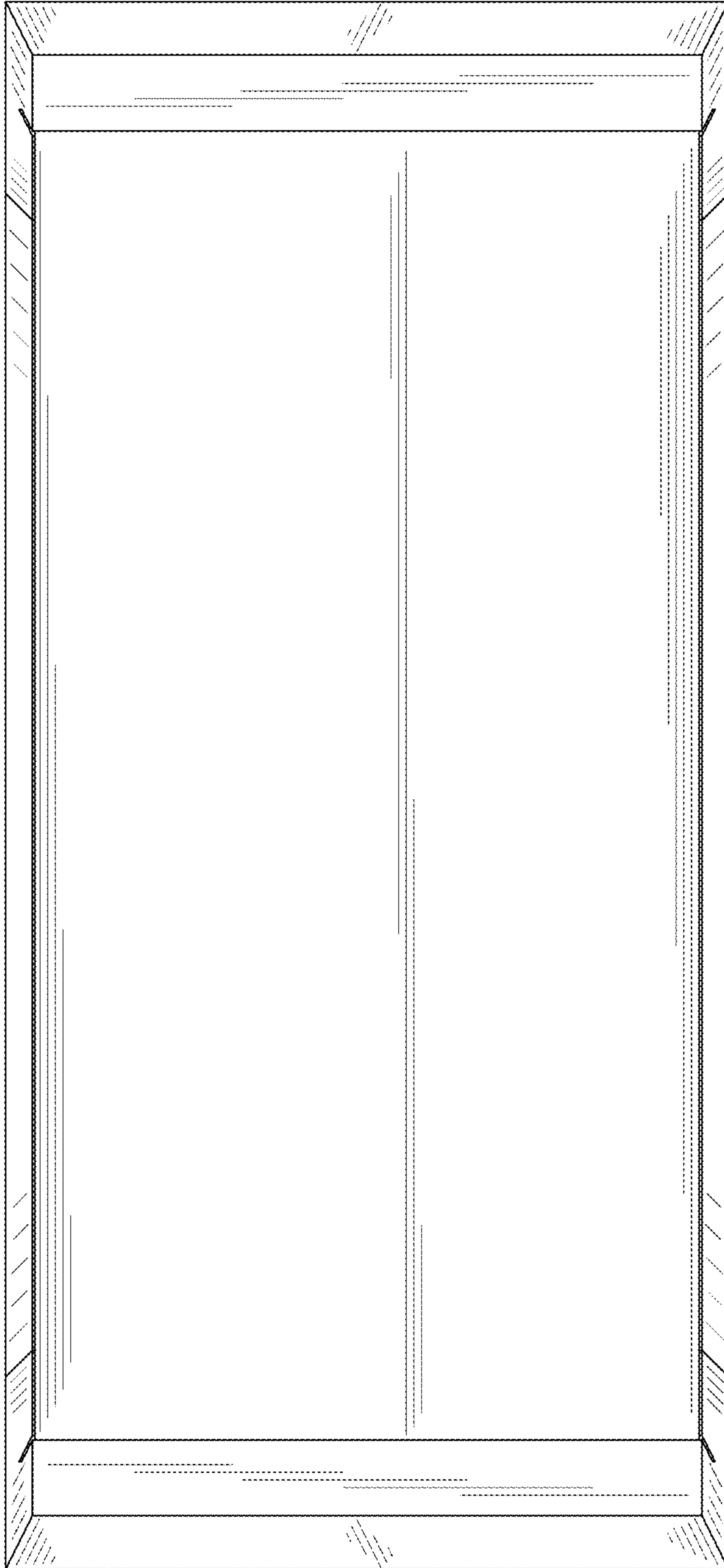


FIG. 8

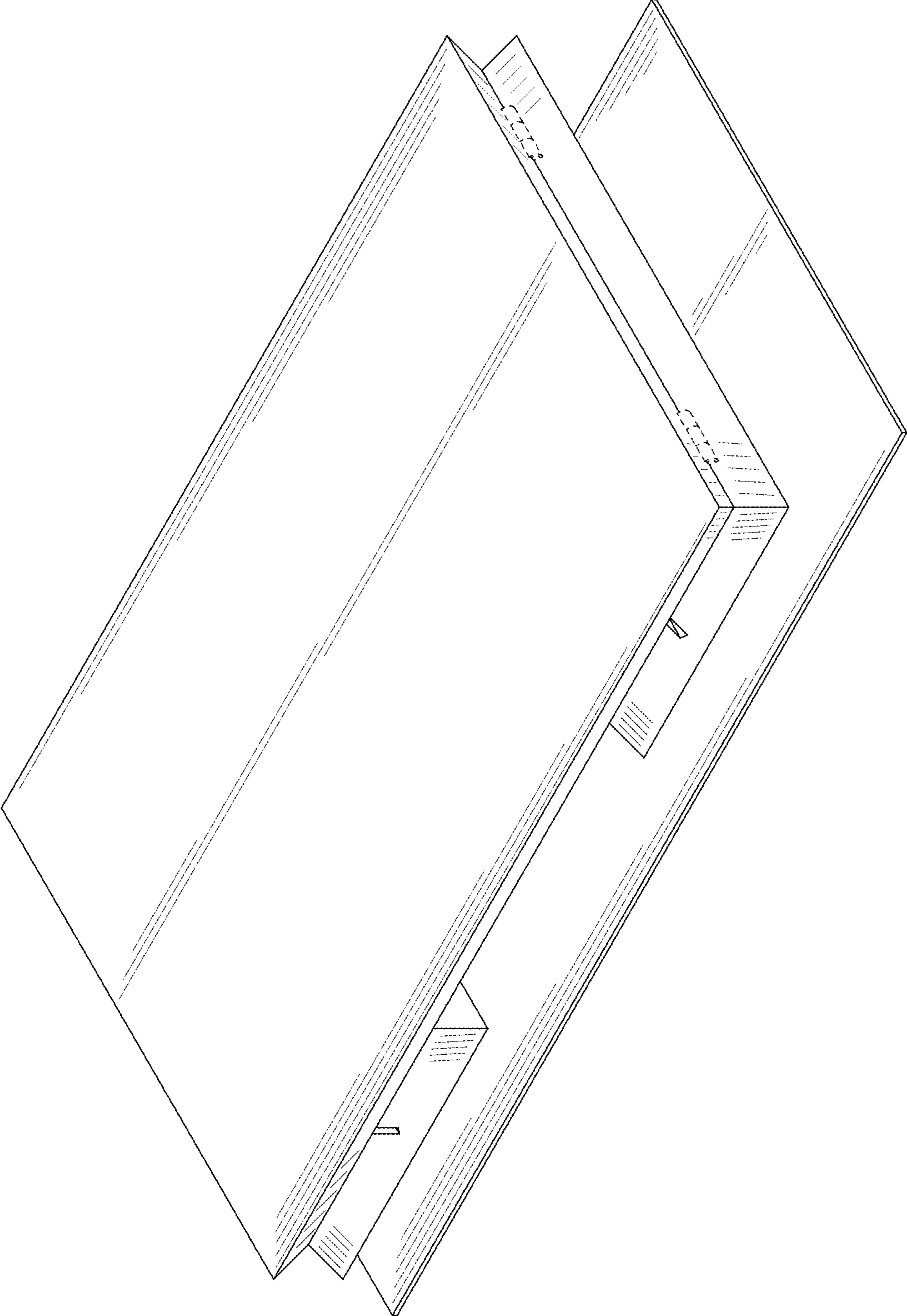


FIG. 9