



US00D975101S

(12) **United States Design Patent**
Luo

(10) **Patent No.:** **US D975,101 S**
(45) **Date of Patent:** **** Jan. 10, 2023**

(54) **MOBILE PHONE STAND**

(71) Applicant: **CHUN LAM GROUP**
(INTERNATIONAL) LIMITED,
Dongguan (CN)

(72) Inventor: **Jin Luo,** Dongguan (CN)

(73) Assignee: **CHUN LAM GROUP**
(INTERNATIONAL) LIMITED,
Dongguan (CN)

(**) Term: **15 Years**

(21) Appl. No.: **29/813,315**

(22) Filed: **Oct. 27, 2021**

(51) **LOC (14) Cl.** **14-03**

(52) **U.S. Cl.**
USPC **D14/447**

(58) **Field of Classification Search**
USPC D14/251–253, 258, 440, 447
CPC H04M 1/04; F16M 13/00; F16M 11/22
See application file for complete search history.

(56) **References Cited**

U.S. PATENT DOCUMENTS

D279,185 S *	6/1985	Felix	D14/251
D334,573 S *	4/1993	Limberg	D14/258
D349,696 S *	8/1994	Hames	D14/447
D579,455 S *	10/2008	Chu	D14/447
RE42,054 E *	1/2011	Park	D14/447
D637,600 S *	5/2011	Leyva-Menendez	D14/447
D676,451 S *	2/2013	Stanek	D14/447
D687,441 S *	8/2013	Janzen	D14/447
D696,671 S *	12/2013	Carnevali	D14/447
D729,223 S *	5/2015	Haarburger	D14/253
9,249,922 B2 *	2/2016	Haarburger	A47B 23/042
D752,597 S *	3/2016	Girault	D14/447
D756,365 S *	5/2016	Huang	D14/447
D773,449 S	12/2016	Mellano et al.		

D795,266 S *	8/2017	Williams	D14/447
D802,596 S *	11/2017	Hannon	D14/440
D850,456 S *	6/2019	Armstrong	D14/440
10,368,622 B1 *	8/2019	Eckert	A45C 11/00
D874,454 S *	2/2020	Lederer	D14/251
D878,350 S *	3/2020	Stagge	D14/253
D892,787 S	8/2020	Chen		
D935,449 S *	11/2021	Huang	D14/253
2012/0025039 A1 *	2/2012	Segal	F16M 11/38 248/188.6
2013/0320173 A1 *	12/2013	Lin	A47B 23/042 248/309.1

(Continued)

FOREIGN PATENT DOCUMENTS

CN	104100811 A *	10/2014	F16M 11/041
CN	107465788 A *	12/2017	H04M 1/04
JP	D1452648	* 10/2012		

Primary Examiner — John R Yeh

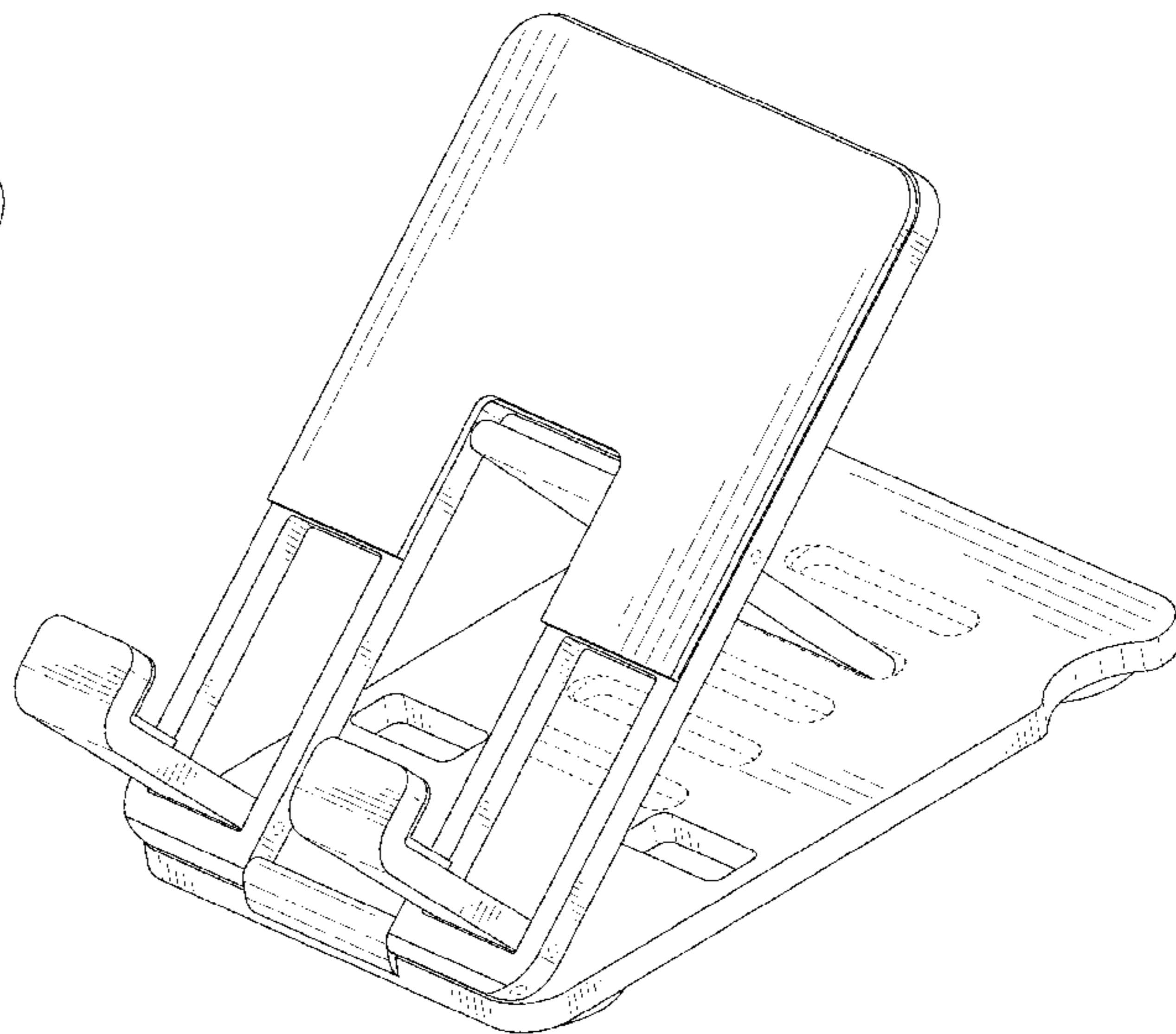
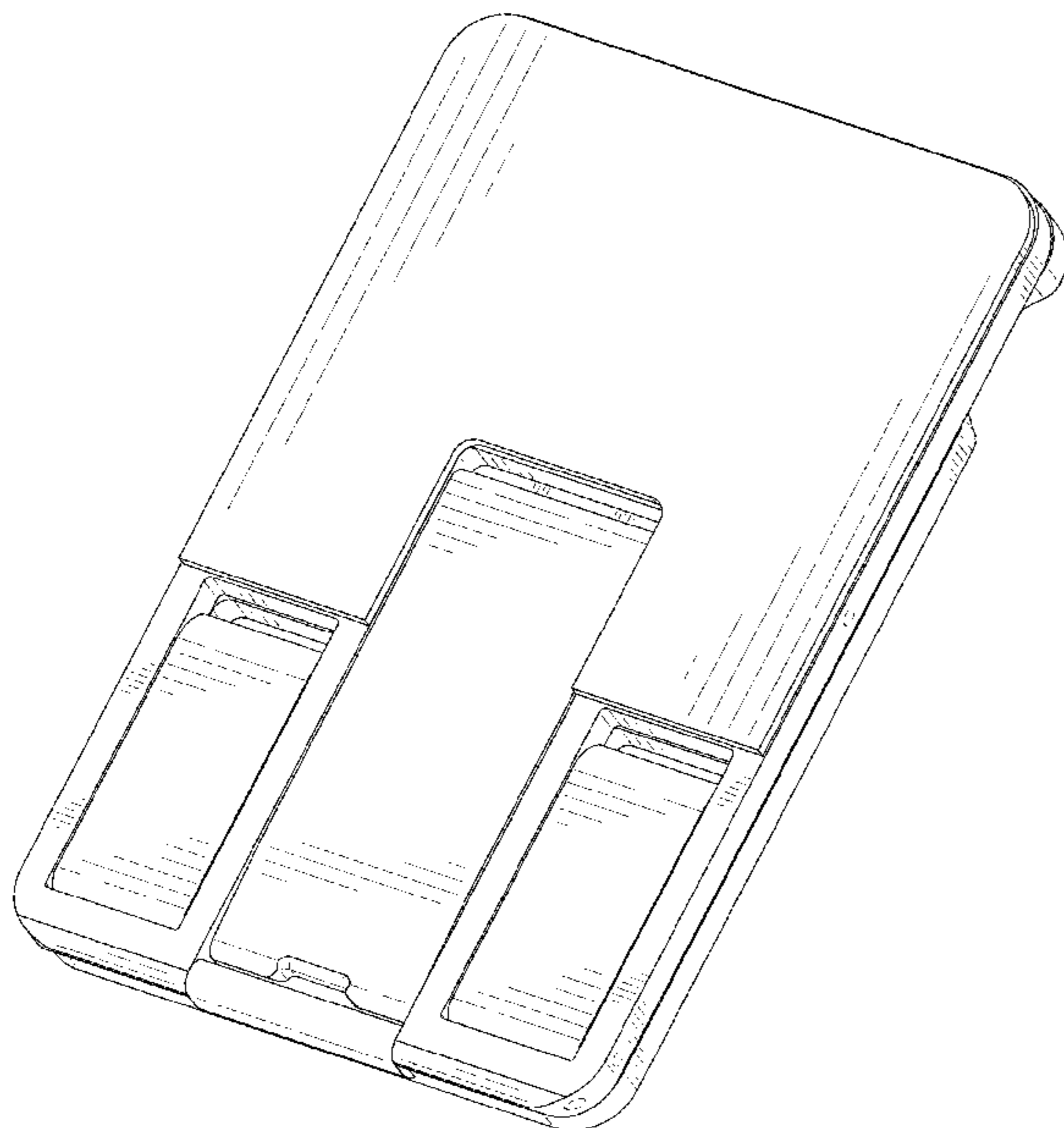
(57) **CLAIM**

The ornamental design for a mobile phone stand, as shown and described.

DESCRIPTION

FIG. 1 is a perspective view of a mobile phone stand showing my new design;
 FIG. 2 is another perspective view thereof;
 FIG. 3 is a front elevational view thereof;
 FIG. 4 is a rear elevational view thereof;
 FIG. 5 is a left side elevational view thereof;
 FIG. 6 is a right side elevational view thereof;
 FIG. 7 is a top plan view thereof;
 FIG. 8 is a bottom plan view thereof; and,
 FIG. 9 is a perspective view of the mobile phone stand where the mobile phone stand is in a configuration of use.
 The broken lines in the drawings depict portions of the mobile phone stand that form no part of the claimed design.

1 Claim, 9 Drawing Sheets



(56)

References Cited

U.S. PATENT DOCUMENTS

2015/0119119 A1* 4/2015 Brzana H04B 1/3877
455/575.9
2015/0216064 A1* 7/2015 Wu F16M 13/00
248/346.3
2022/0057853 A1* 2/2022 Liu G06F 1/3246

* cited by examiner

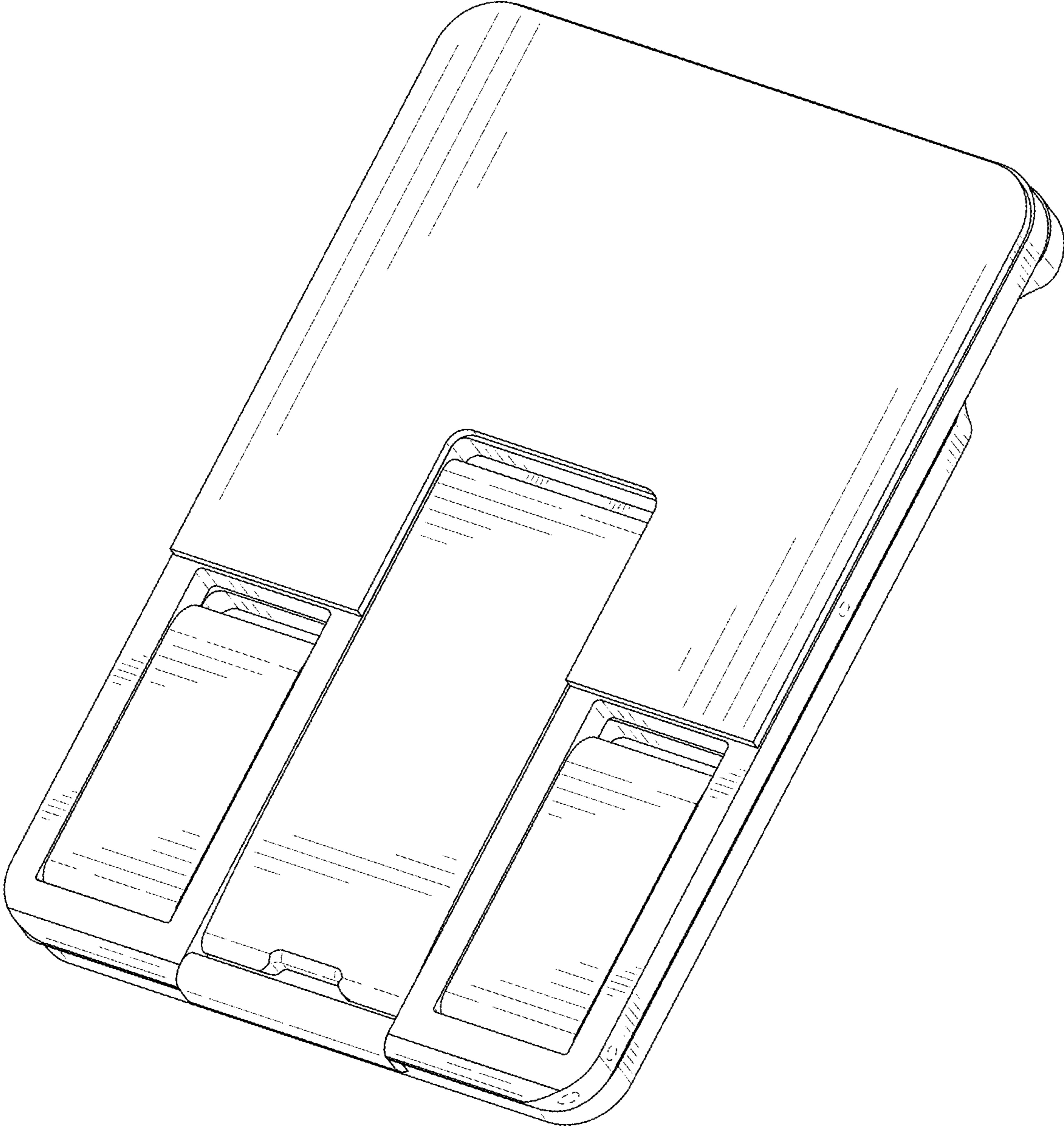


FIG. 1

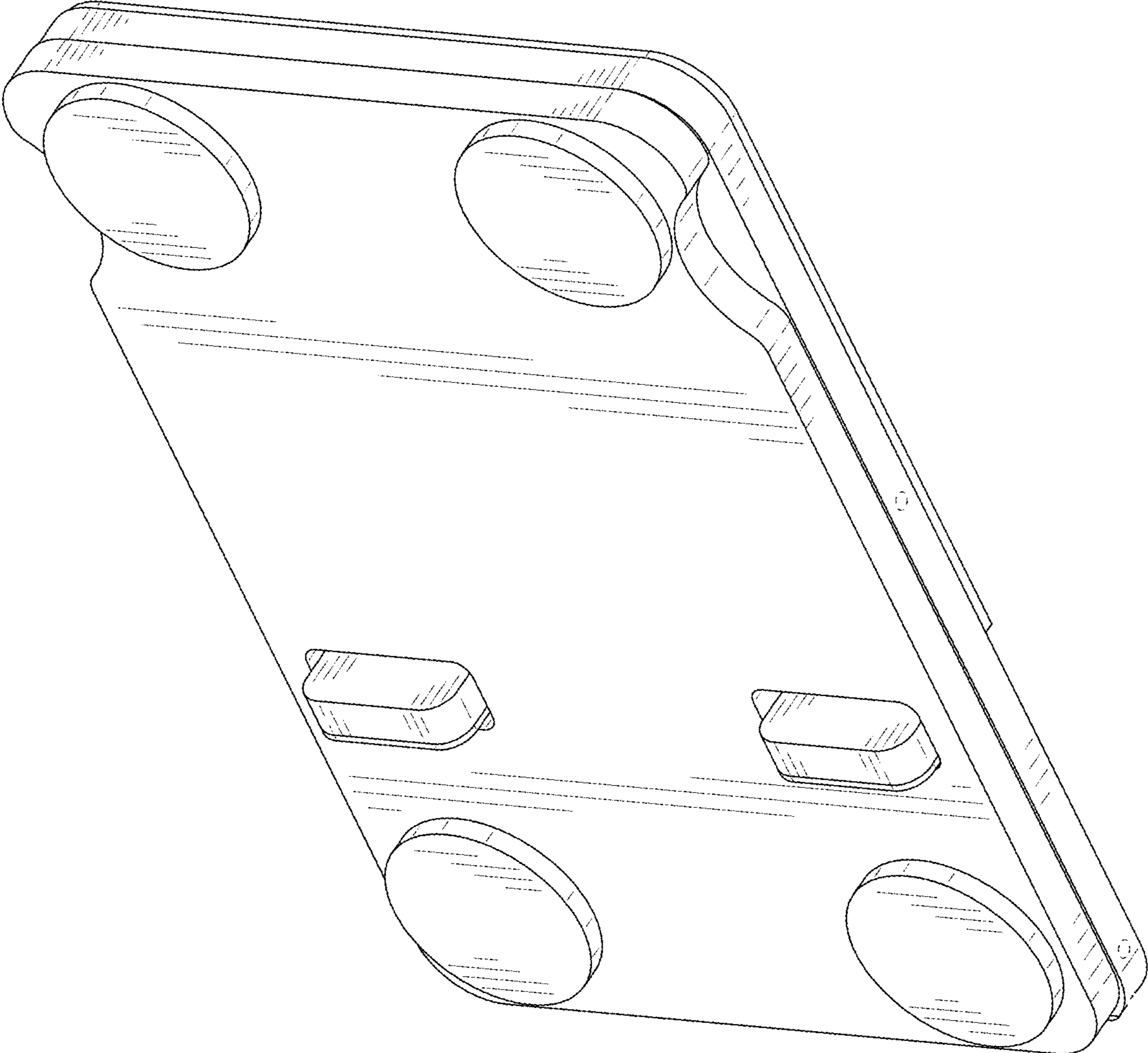


FIG. 2

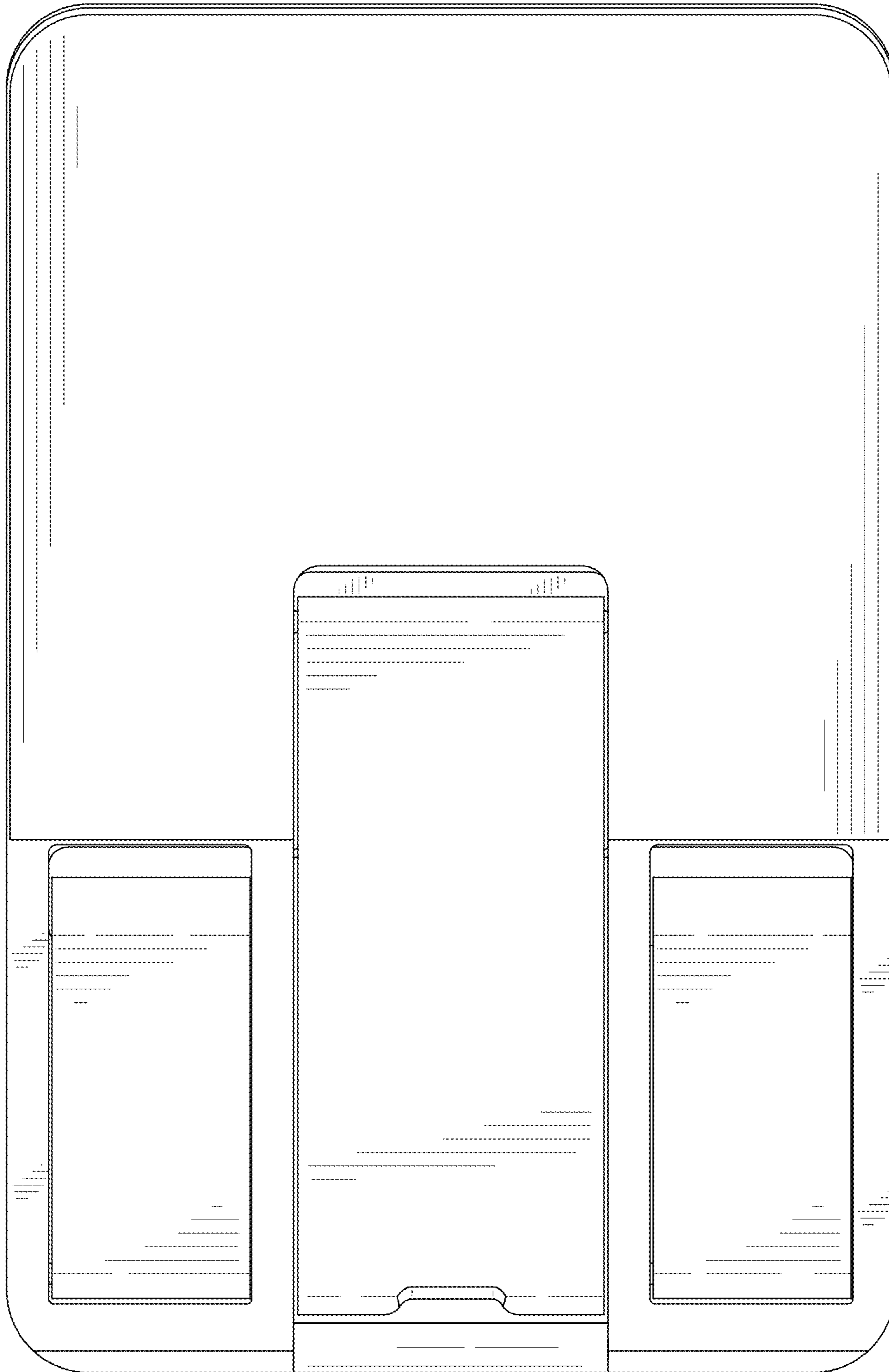


FIG. 3

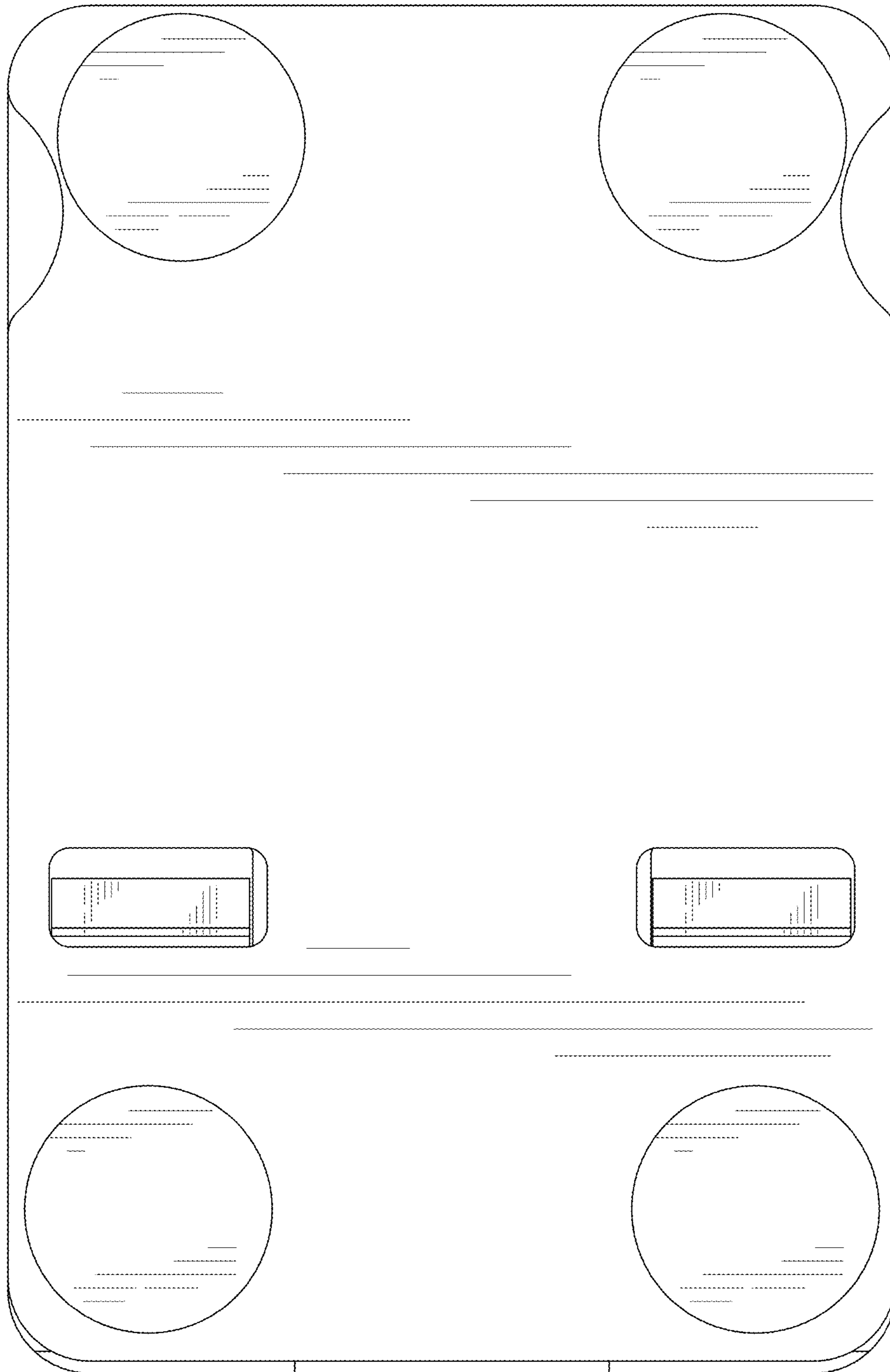


FIG. 4

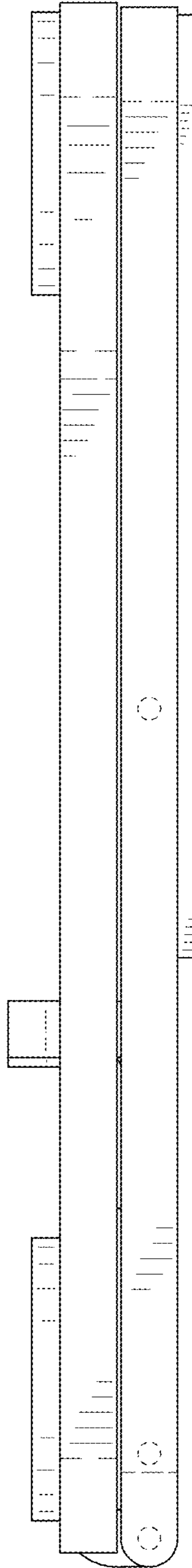


FIG. 5

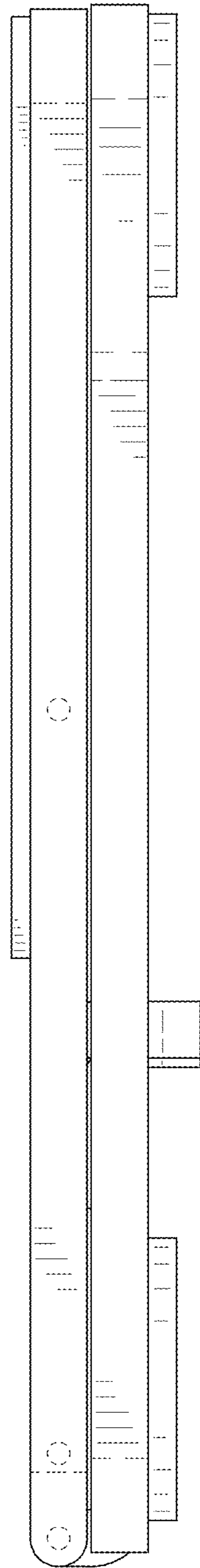


FIG. 6

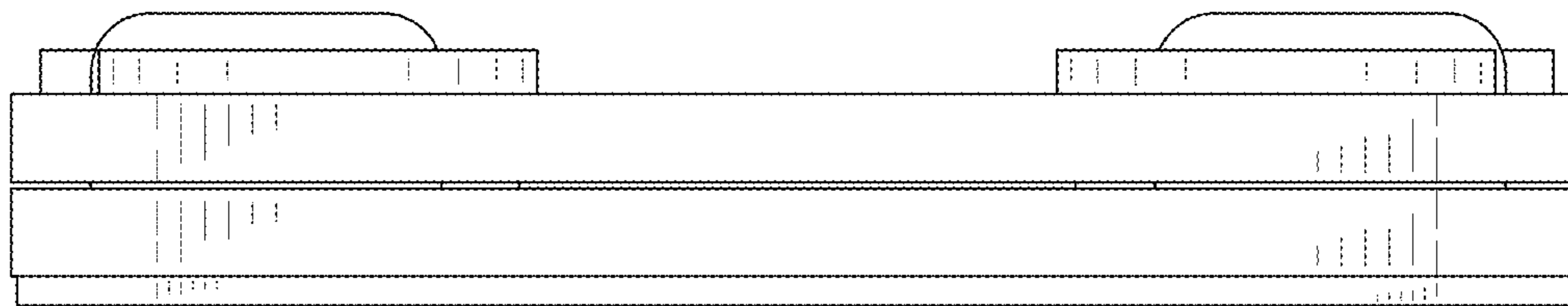


FIG. 7

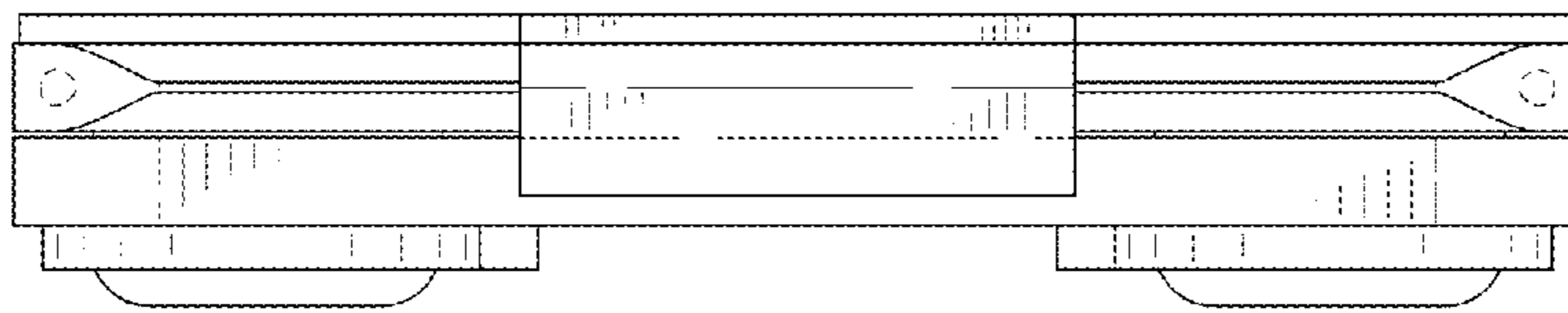


FIG. 8

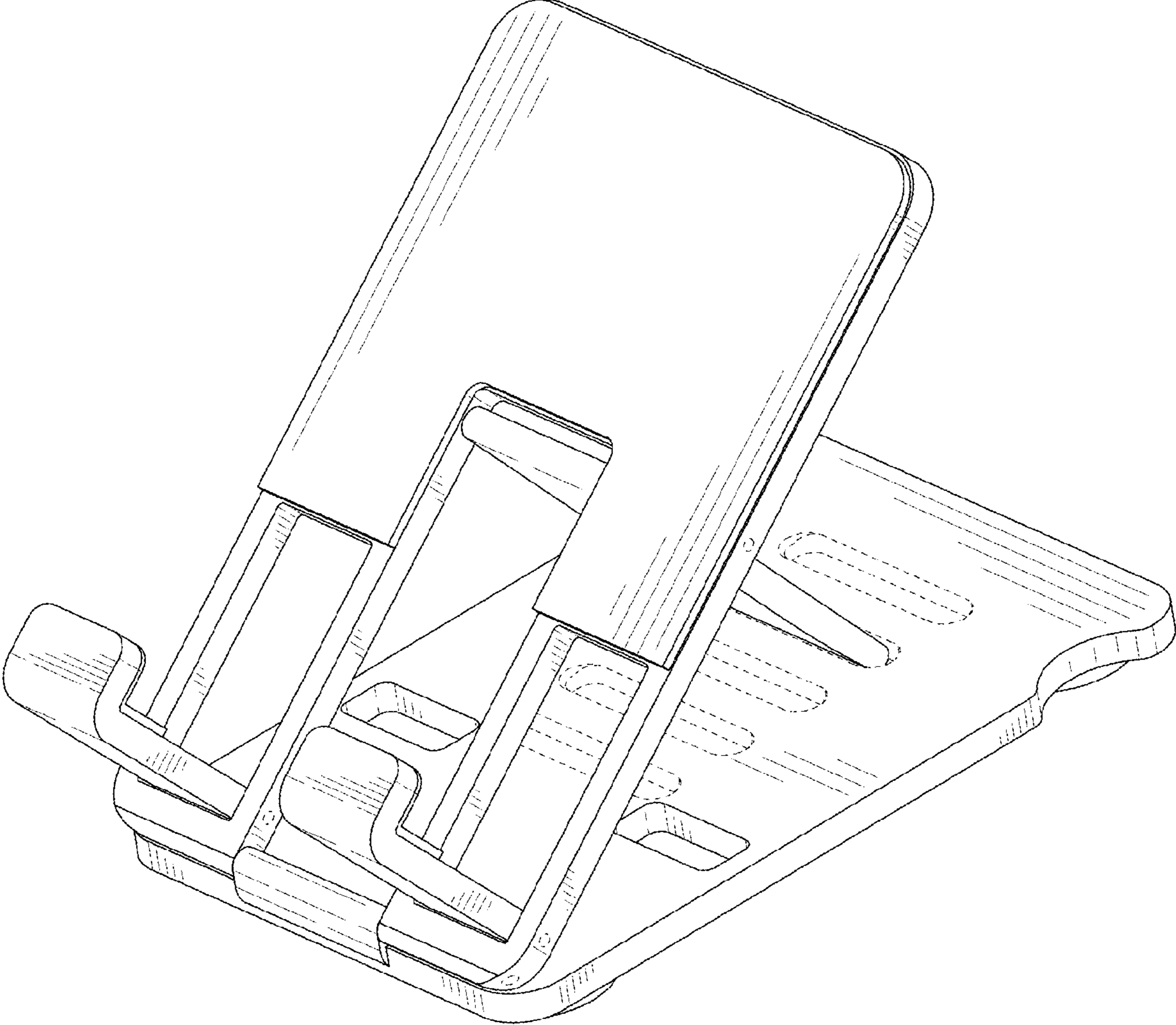


FIG. 9