



US00D975100S

(12) **United States Design Patent**
Ma

(10) **Patent No.:** **US D975,100 S**
(45) **Date of Patent:** **** Jan. 10, 2023**

(54) **PROTECTIVE CASE FOR ELECTRONIC DEVICE**

D964,991 S * 9/2022 Xu D14/440
D967,107 S * 10/2022 Zhao D14/440
2020/0359758 A1* 11/2020 Yuan G06F 1/1628

(71) Applicant: **Guangdong Shuowei Technology Co., Ltd.**, Guangdong (CN)

(72) Inventor: **Wenhong Ma**, Guangzhou (CN)

(**) Term: **15 Years**

(21) Appl. No.: **29/848,315**

(22) Filed: **Aug. 1, 2022**

(51) **LOC (14) Cl.** **14-02**

(52) **U.S. Cl.**
USPC **D14/440**

(58) **Field of Classification Search**
USPC D14/249, 250, 252, 253, 341, 440, 447
CPC ... G06F 1/1628; G06F 1/1626; H04B 1/3888;
H05K 7/00

See application file for complete search history.

(56) **References Cited**

U.S. PATENT DOCUMENTS

D697,504 S	1/2014	Yang	
D701,211 S	* 3/2014	Ng	D14/440
D830,368 S	* 10/2018	Zhang	D14/440
D837,219 S	* 1/2019	Gao	D14/440
D851,092 S	* 6/2019	Tan	D14/440
D852,802 S	* 7/2019	Gao	D14/440
D879,788 S	* 3/2020	Gao	D14/440
D925,543 S	* 7/2021	Ma	D14/440
D926,193 S	* 7/2021	Ma	D14/440
D933,665 S	* 10/2021	Ke	D14/440
D935,468 S	* 11/2021	Li	D14/440
D949,153 S	* 4/2022	Chen	D14/440
D964,374 S	* 9/2022	Zhou	D14/440

OTHER PUBLICATIONS

Amazon.com_ HXCASEAC Case Compatible with iPad Air, first available Jan. 10, 2021 [online], retrieved Oct. 19, 2022, available at URL: <https://a.co/d/aQTznlY> (Year: 2021).*

Amazon.com_ ambison iPad Air 4th Generation Case, first available Apr. 28, 2021 [online], retrieved Oct. 19, 2022, available at URL: <https://a.co/d/1oeoXXB> (Year: 2021).*

* cited by examiner

Primary Examiner — Wendy L Arminio

Assistant Examiner — Carrie S Gelula

(57) **CLAIM**

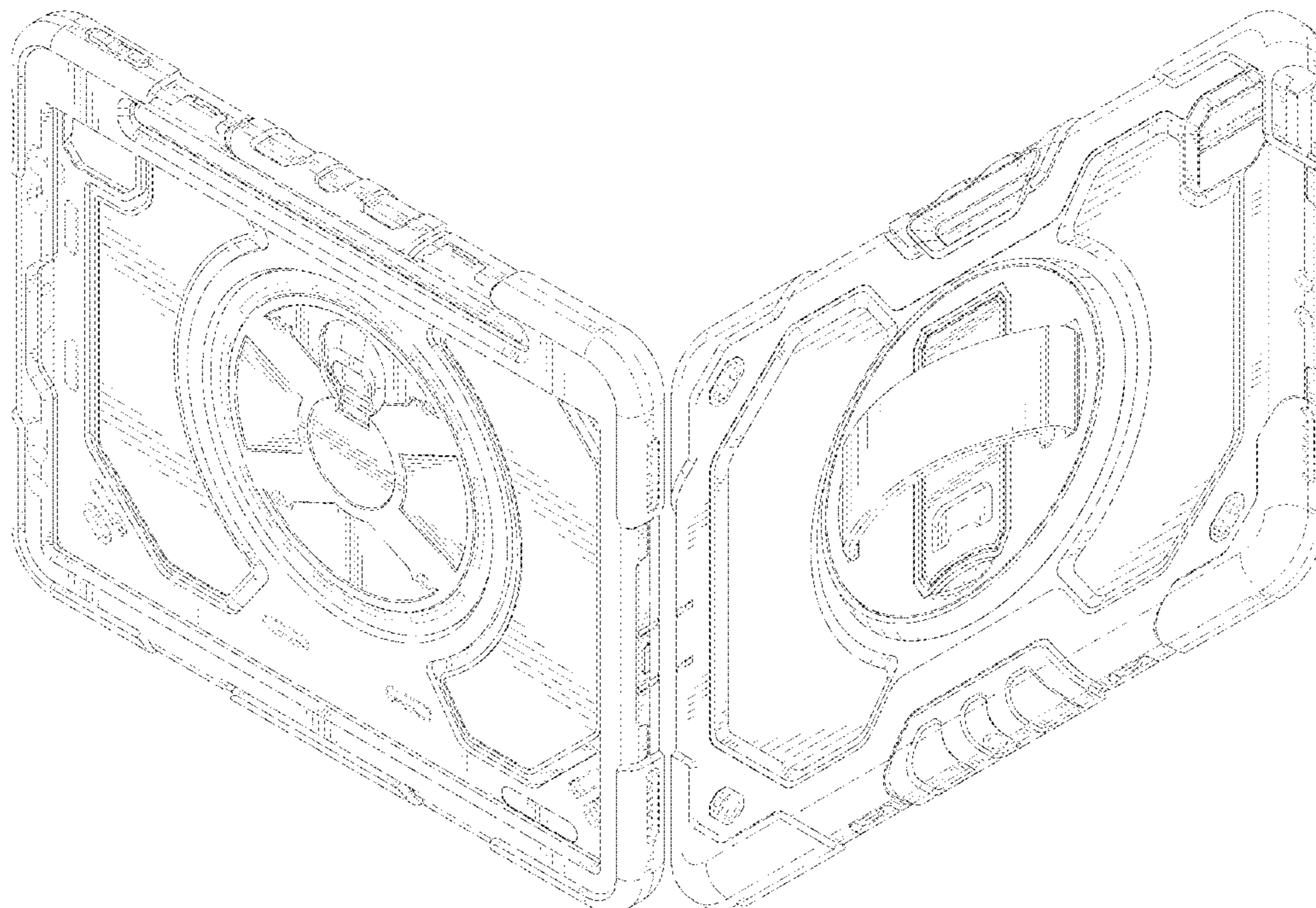
The ornamental design for a protective case for electronic device, as shown and described.

DESCRIPTION

FIG. 1 is a front and top perspective view of a protective case for electronic device, showing my new design; FIG. 2 is a rear and bottom perspective view thereof; FIG. 3 is a front elevation view thereof; FIG. 4 is a rear elevation view thereof; FIG. 5 is a left side elevation view thereof; FIG. 6 is a right side elevation view thereof; FIG. 7 is a top plan view thereof; and, FIG. 8 is a bottom plan view thereof.

The broken lines in the figures illustrate portions of the protective case for electronic device that form no part of the claimed design.

1 Claim, 8 Drawing Sheets



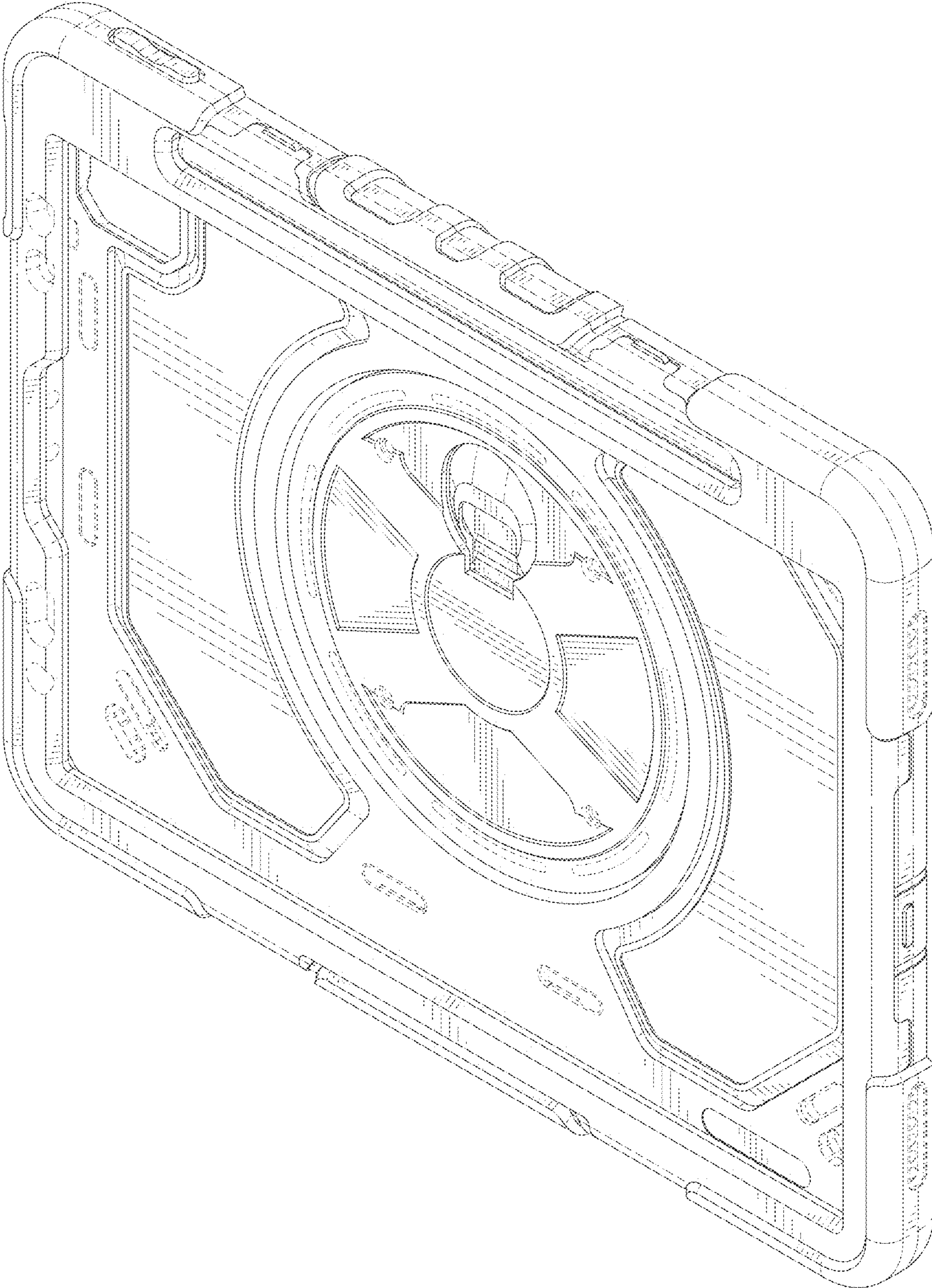


FIG. 1

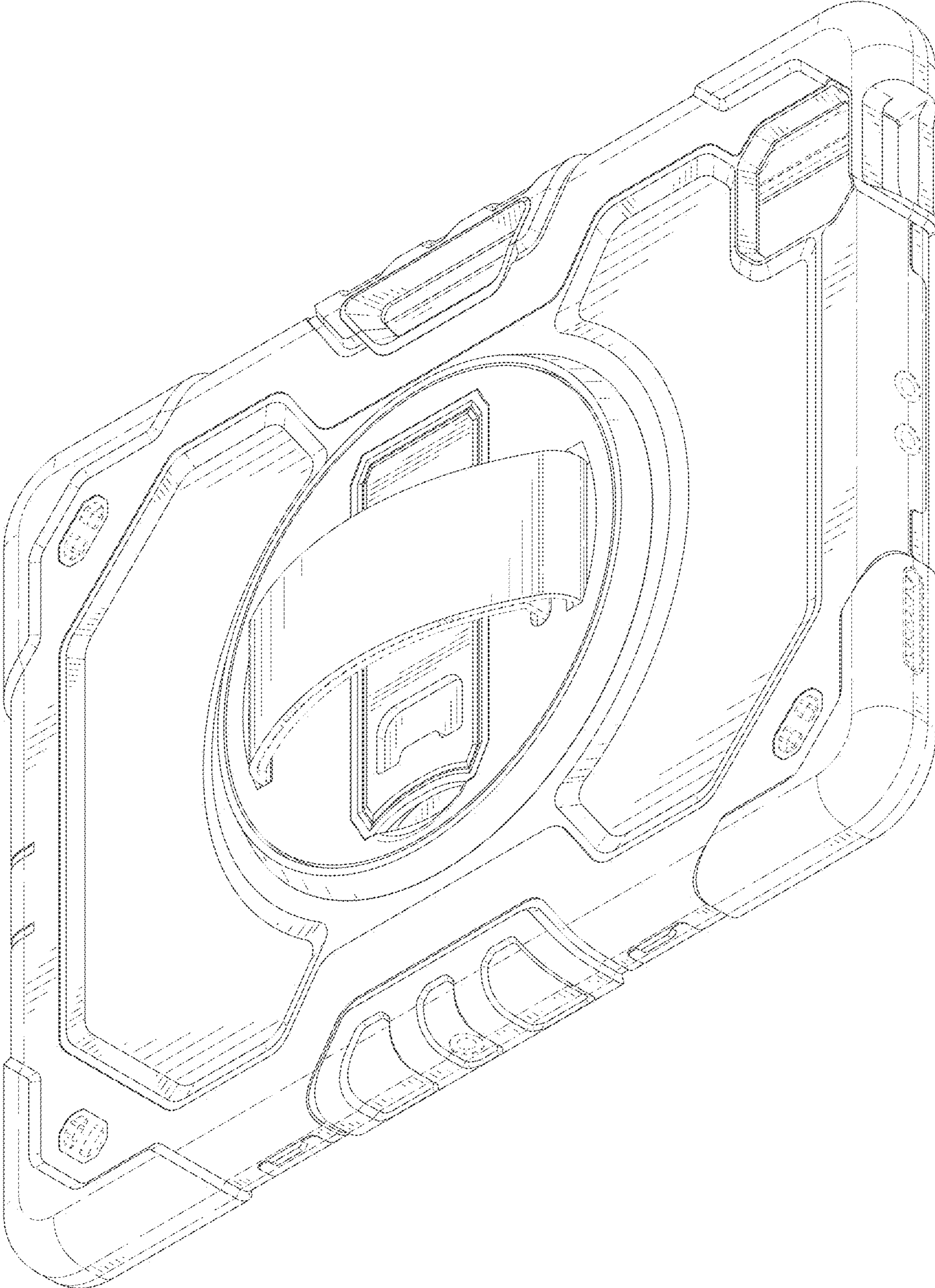


FIG. 2

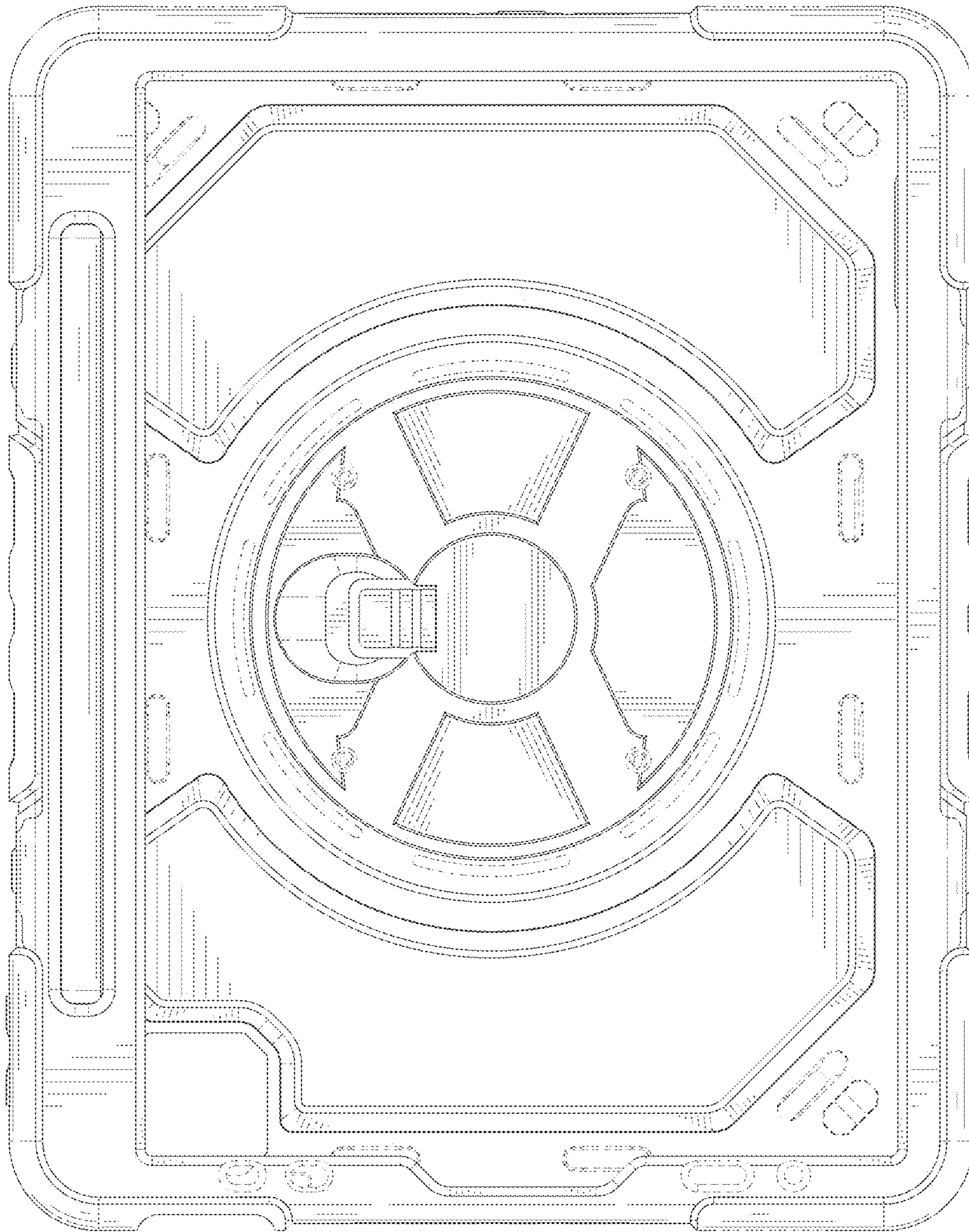


FIG. 3

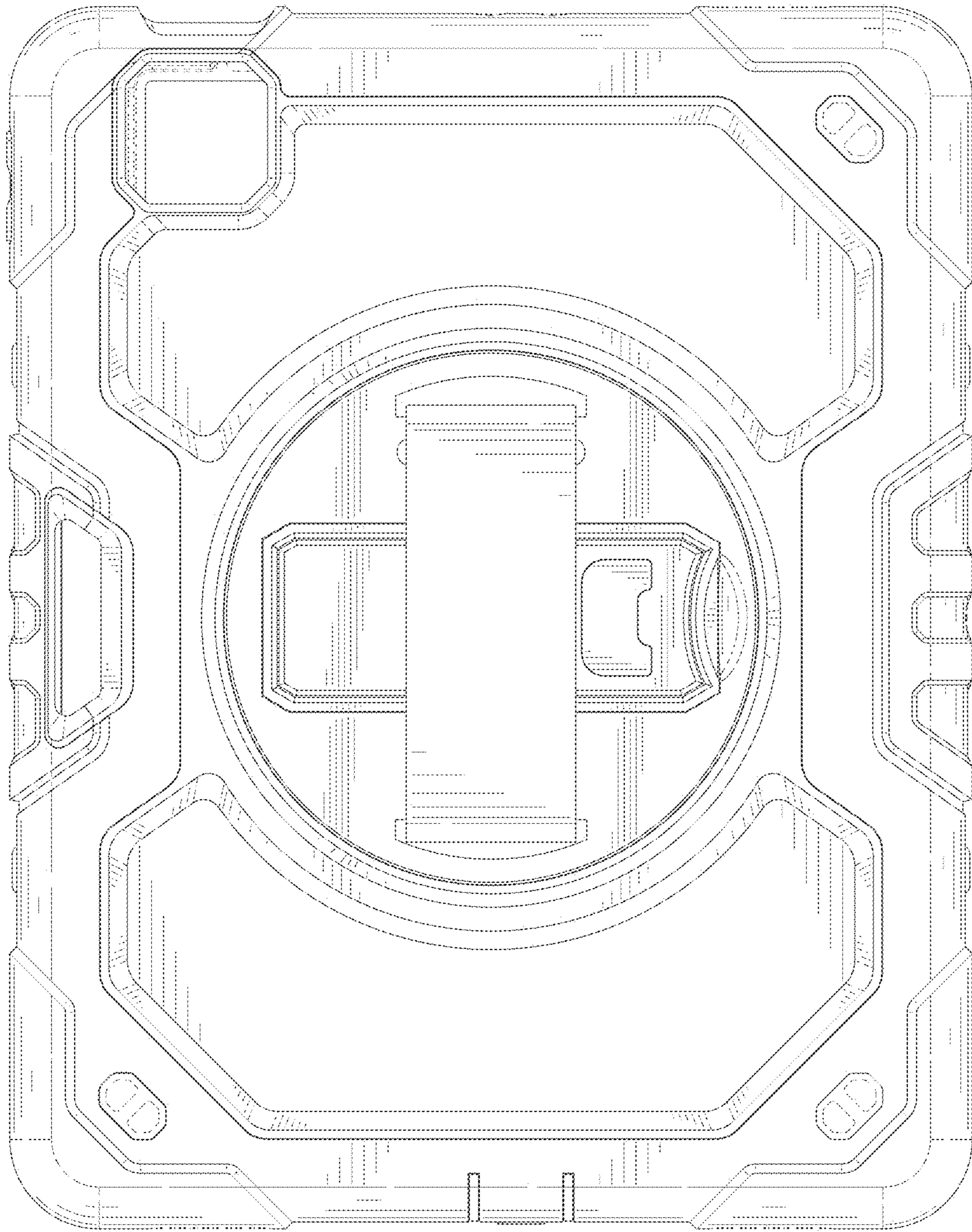


FIG. 4

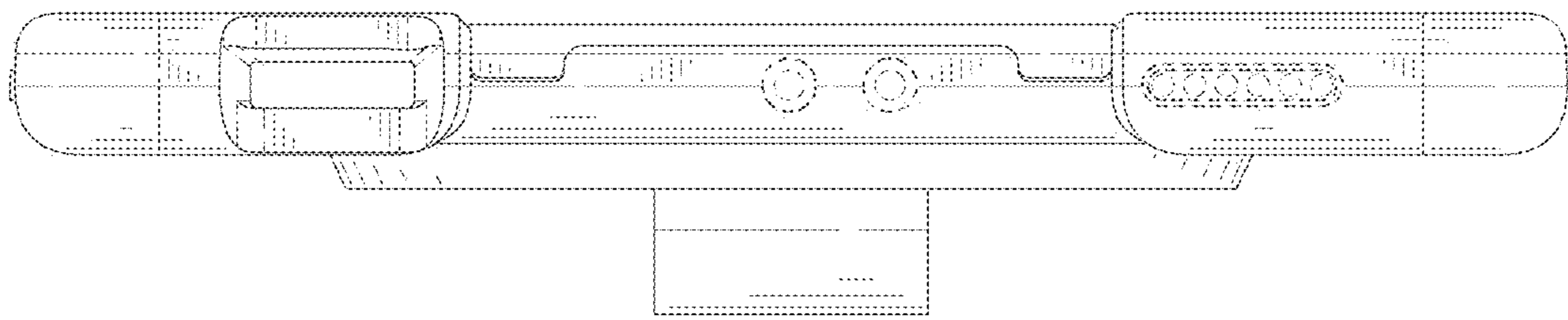


FIG. 5

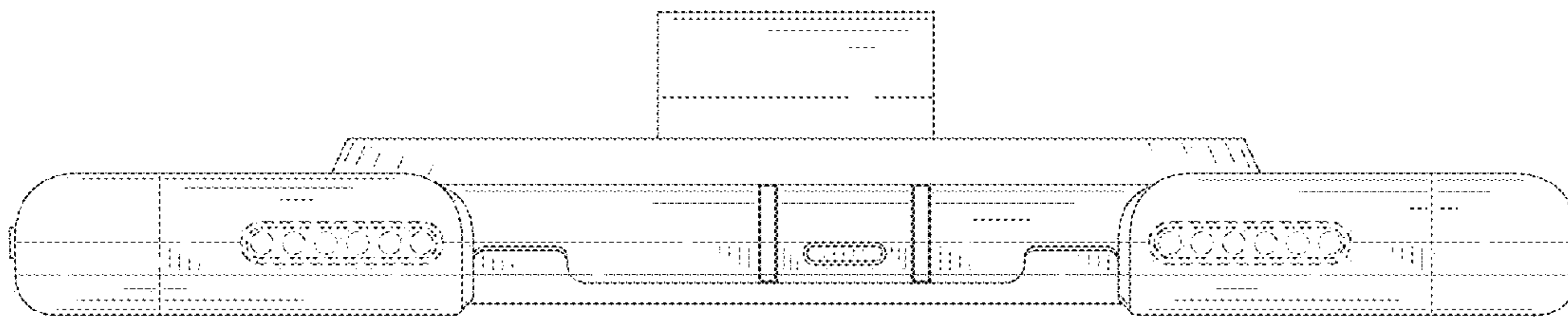


FIG. 6

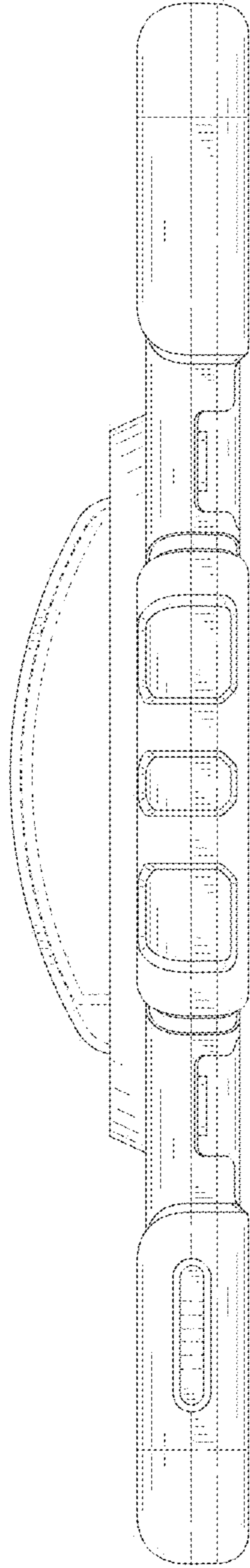


FIG. 7

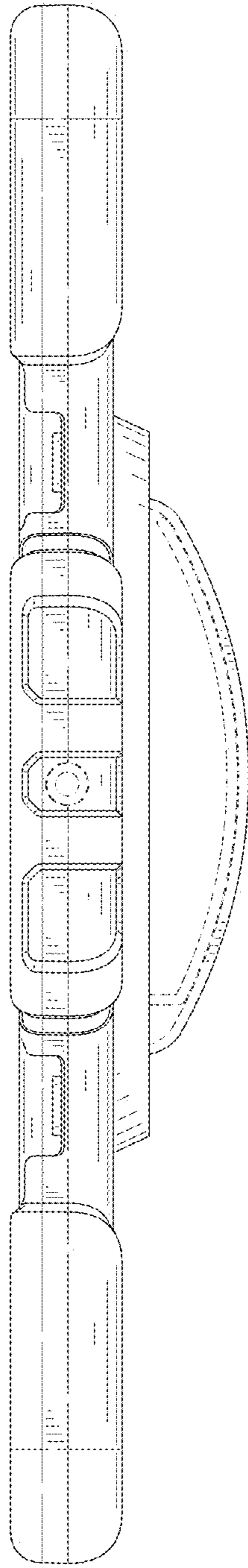


FIG. 8