



US00D975098S

(12) **United States Design Patent**  
**Xu**

(10) **Patent No.:** **US D975,098 S**  
(45) **Date of Patent:** **\*\* Jan. 10, 2023**

(54) **PORTABLE ELECTRONIC DEVICE CASE**

(71) Applicant: **Zhaoyi Xu**, Shenzhen (CN)

(72) Inventor: **Zhaoyi Xu**, Shenzhen (CN)

(\*\*) Term: **15 Years**

(21) Appl. No.: **29/791,431**

(22) Filed: **Jan. 11, 2022**

(51) **LOC (14) Cl.** ..... **14-02**

(52) **U.S. Cl.**  
USPC ..... **D14/440**

(58) **Field of Classification Search**  
USPC ..... D14/440, 447, 250; 361/679.55;  
206/45.23, 320, 45.2; 294/25; 455/575.8  
CPC ... G06F 1/1628; G06F 1/1626; A47B 23/044;  
A45C 11/00  
See application file for complete search history.

(56) **References Cited**

**U.S. PATENT DOCUMENTS**

|              |         |           |       |         |
|--------------|---------|-----------|-------|---------|
| D620,000 S * | 7/2010  | Bau       | ..... | D14/250 |
| D685,786 S * | 7/2013  | Seoc      | ..... | D14/353 |
| D690,292 S * | 9/2013  | Bibla     | ..... | D14/250 |
| D733,154 S * | 6/2015  | Armstrong | ..... | D14/440 |
| D808,973 S * | 1/2018  | Chen      | ..... | D14/440 |
| D831,030 S * | 10/2018 | Gao       | ..... | D14/440 |
| D844,621 S * | 4/2019  | Chen      | ..... | D14/440 |
| D847,817 S * | 5/2019  | Cheng     | ..... | D14/440 |
| D850,451 S * | 6/2019  | Chen      | ..... | D14/440 |
| D851,648 S * | 6/2019  | Tan       | ..... | D14/440 |
| D852,203 S * | 6/2019  | Rui       | ..... | D14/447 |
| D868,788 S * | 12/2019 | Weng      | ..... | D14/440 |
| D868,789 S * | 12/2019 | Weng      | ..... | D14/440 |

|              |         |       |       |         |
|--------------|---------|-------|-------|---------|
| D868,791 S * | 12/2019 | Weng  | ..... | D14/440 |
| D900,828 S * | 11/2020 | Chen  | ..... | D14/440 |
| D902,216 S * | 11/2020 | Xu    | ..... | D14/440 |
| D920,982 S   | 6/2021  | Xu    |       |         |
| D930,002 S * | 9/2021  | Zhou  | ..... | D14/440 |
| D943,591 S * | 2/2022  | Zhu   | ..... | D14/440 |
| D949,153 S * | 4/2022  | Chen  | ..... | D14/440 |
| D958,795 S * | 7/2022  | Cheng | ..... | D14/440 |

\* cited by examiner

*Primary Examiner* — Cynthia R Underwood

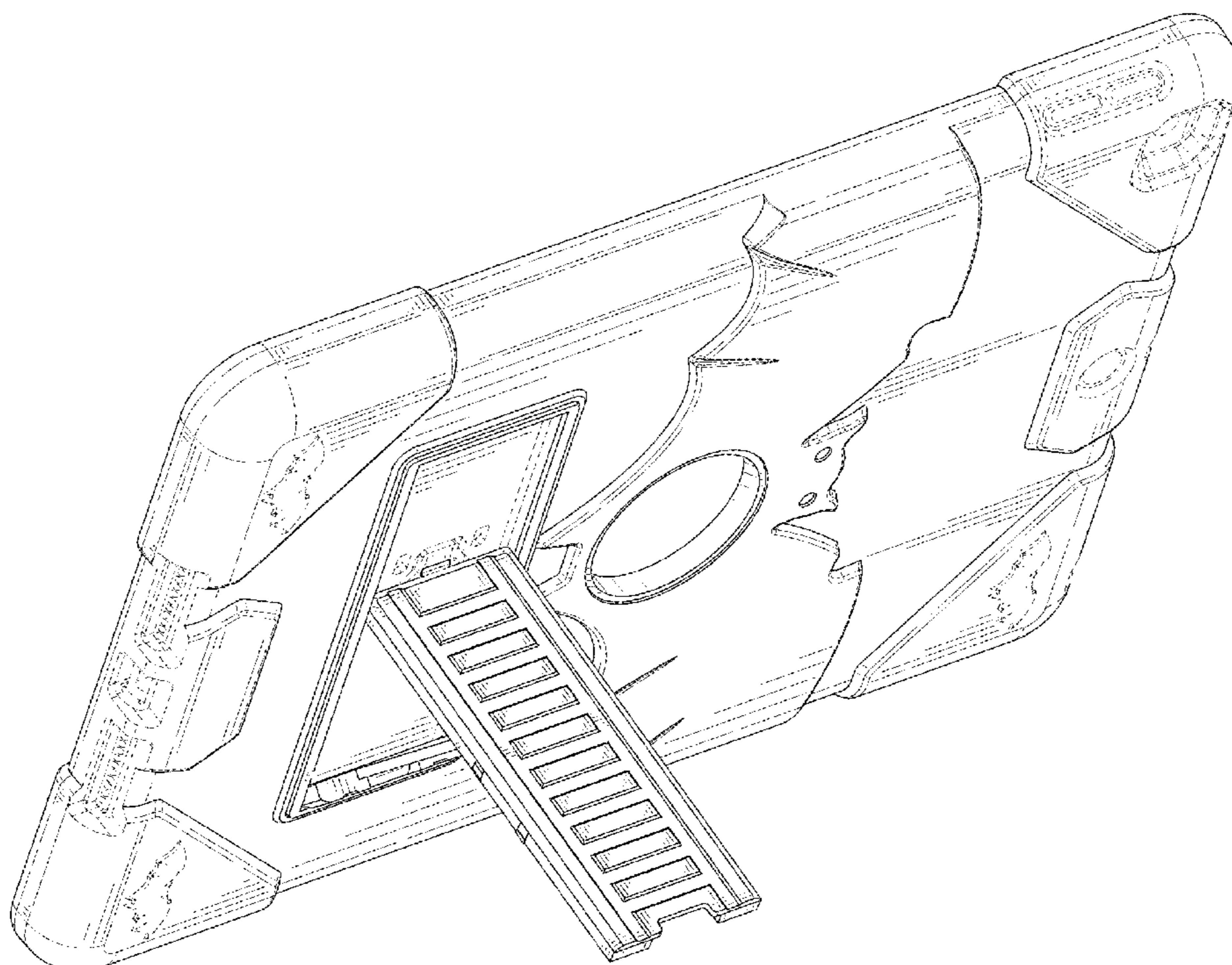
(57) **CLAIM**

The ornamental design for a portable electronic device case, as shown and described.

**DESCRIPTION**

FIG. 1 is a front and bottom perspective view of a portable electronic device case, showing my new design;  
 FIG. 2 is a rear and bottom perspective view thereof;  
 FIG. 3 is a front elevation view thereof;  
 FIG. 4 is a rear elevation view thereof;  
 FIG. 5 is a left side elevation view thereof;  
 FIG. 6 is a right side elevation view thereof;  
 FIG. 7 is a top plan view thereof;  
 FIG. 8 is a bottom plan view thereof;  
 FIG. 9 is another perspective view thereof, shown in an alternative position; and,  
 FIG. 10 is an enlarged perspective view of detail "10" identified in FIG. 3.  
 The dashed broken lines in the figures illustrate portions of the portable electronic device case that form no part of the claimed design. The dash dot dash lines in FIGS. 3 and 10 are for the purpose of illustrating the enlarged view indicators and form no part of the claimed design.

**1 Claim, 10 Drawing Sheets**



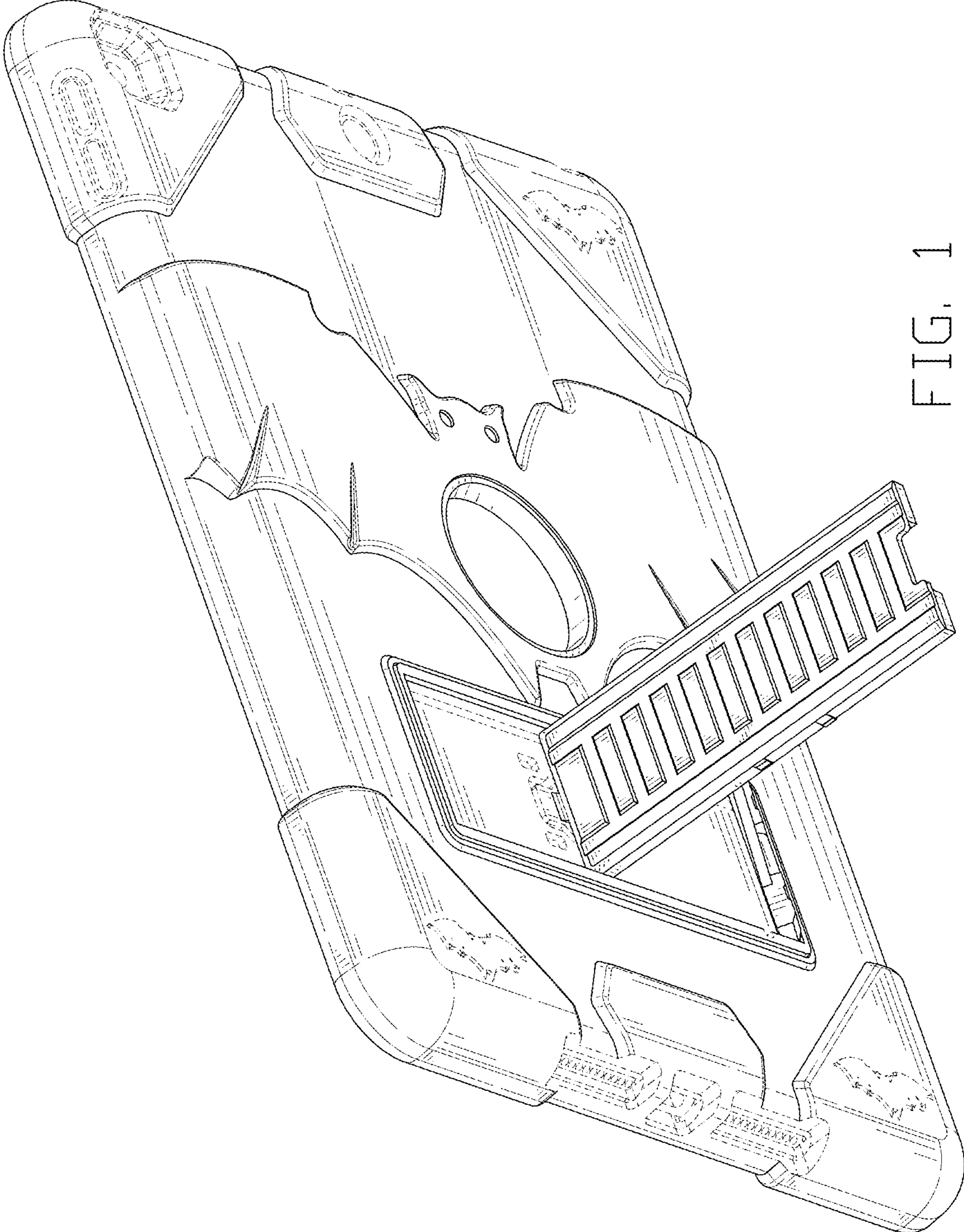


FIG. 1

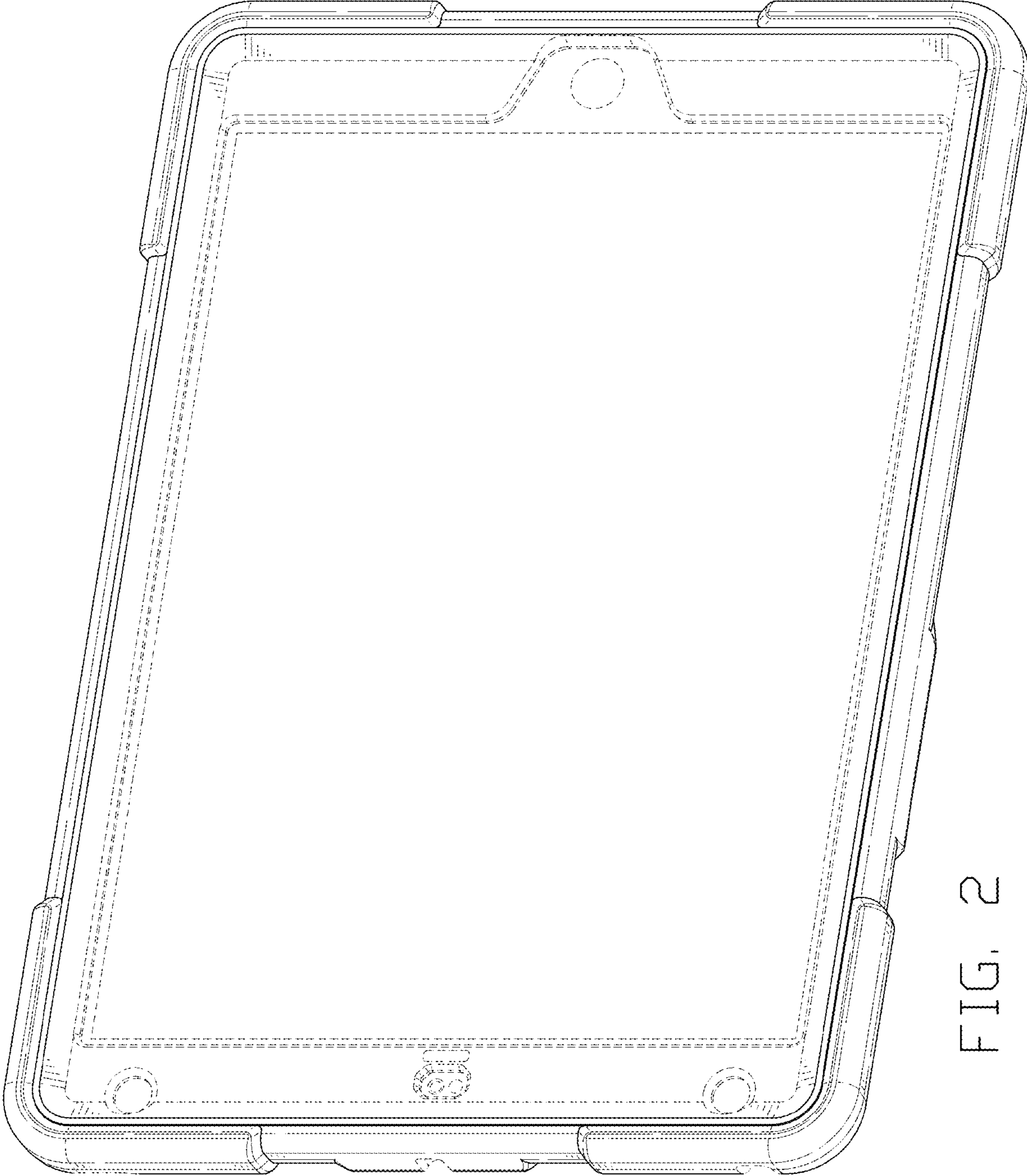


FIG. 2

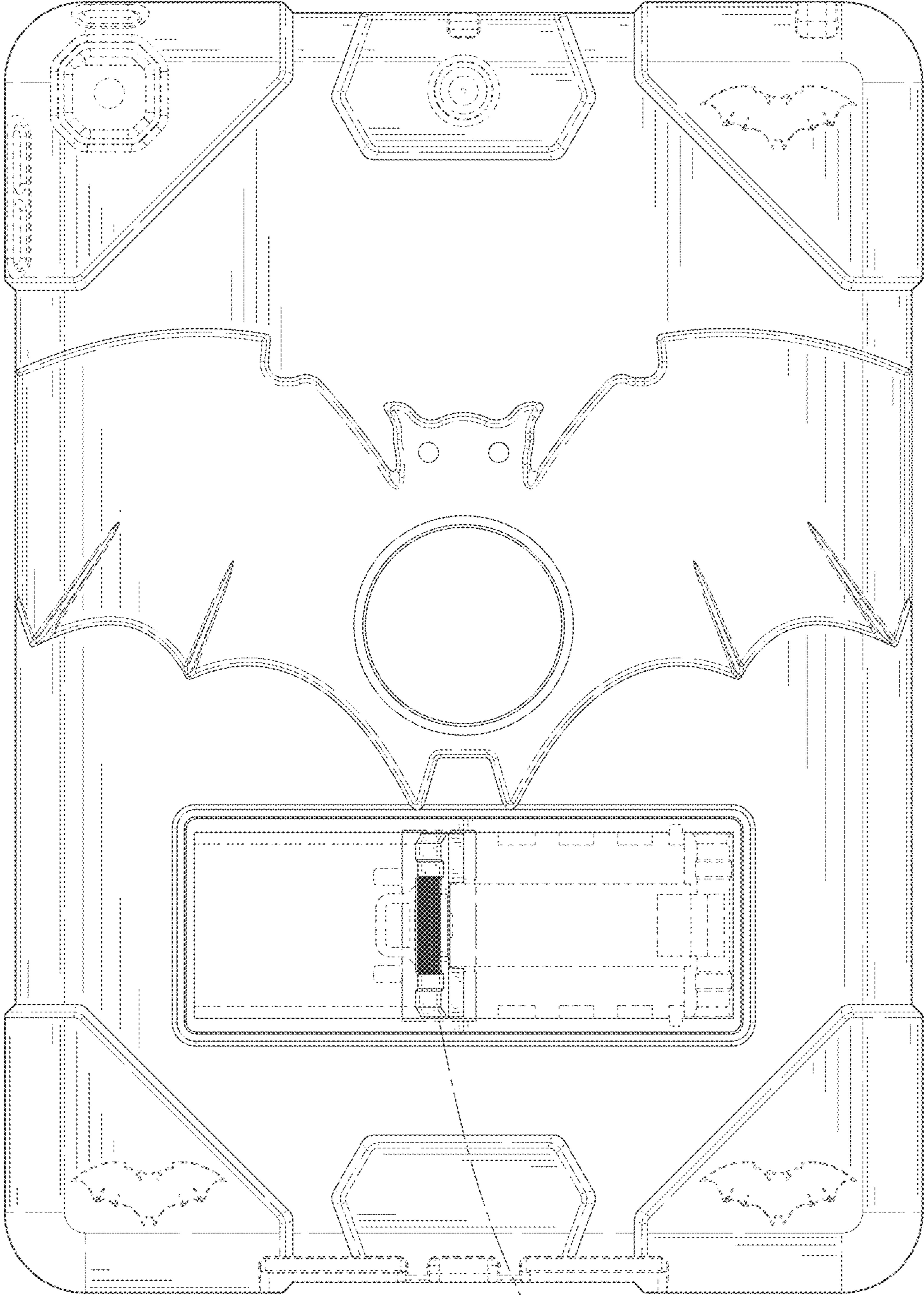


FIG. 3

10

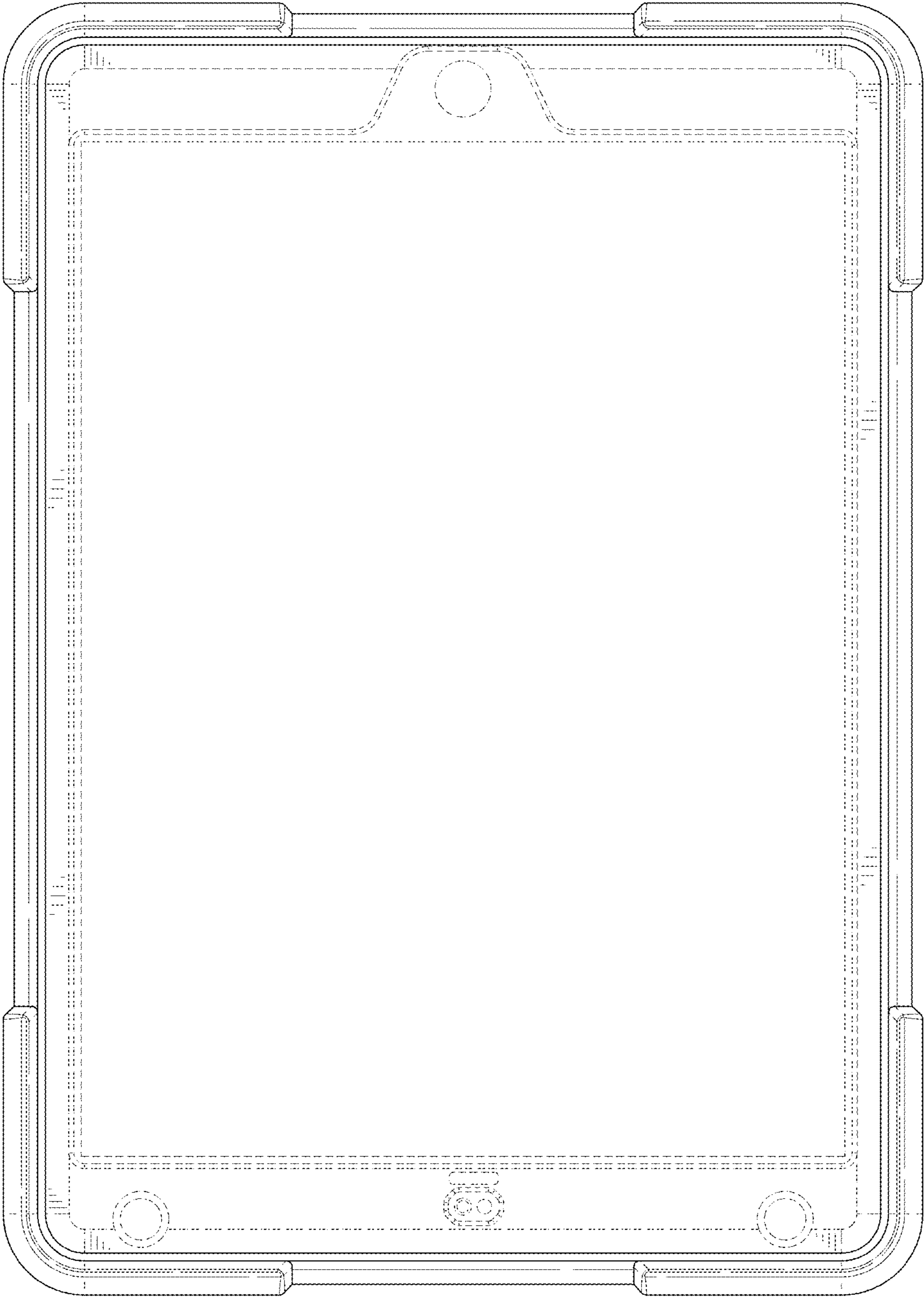


FIG. 4

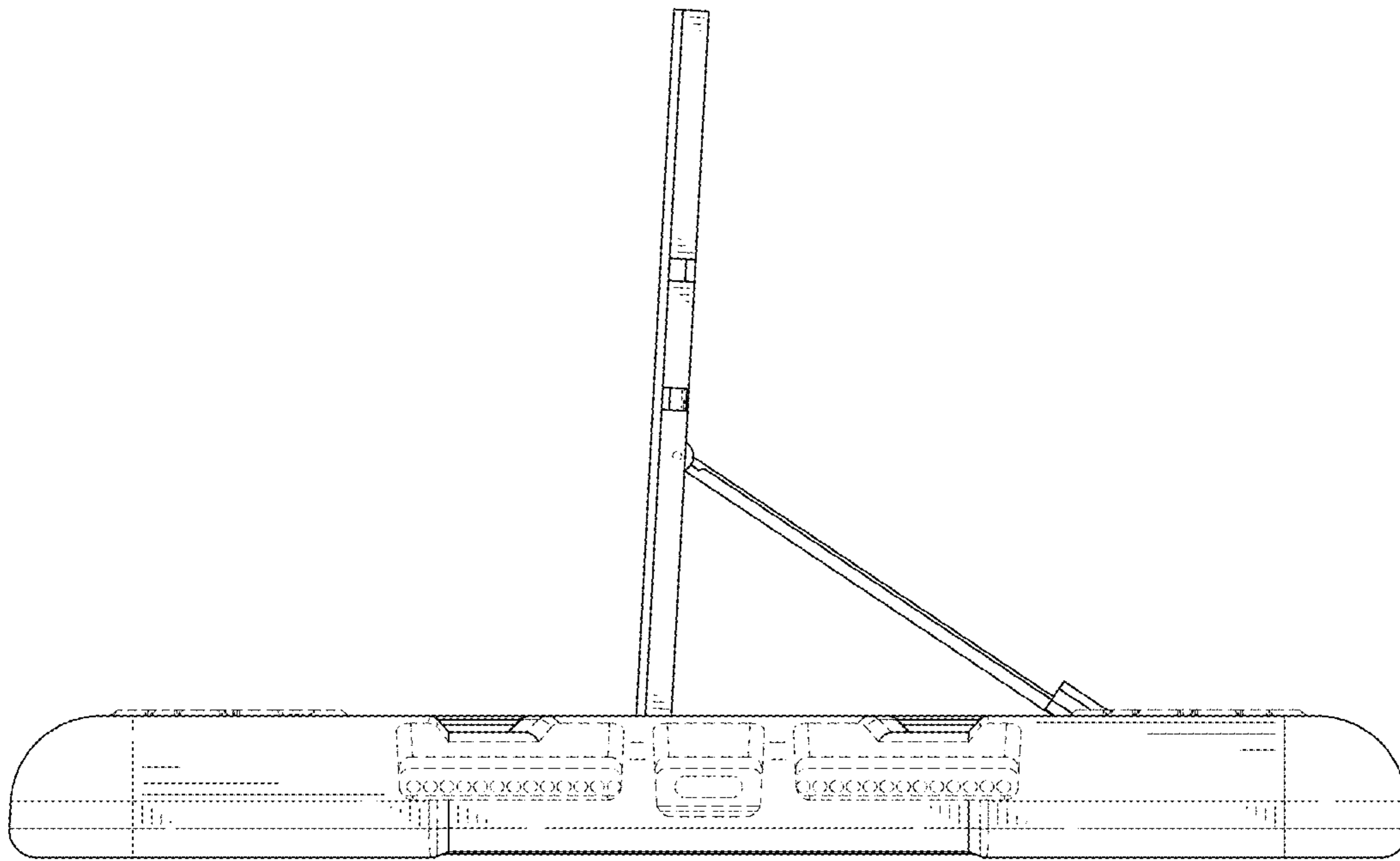


FIG. 5

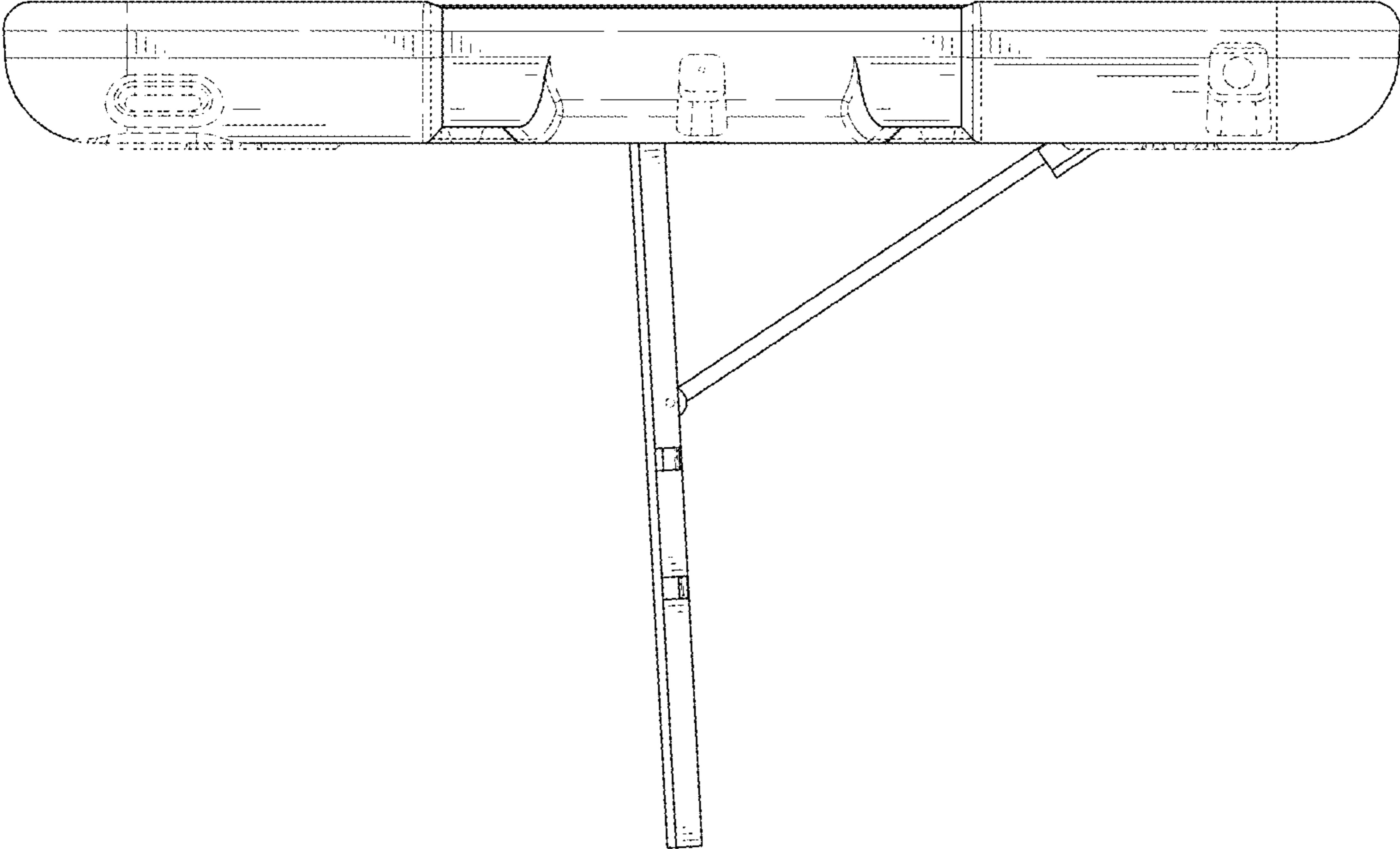


FIG. 6

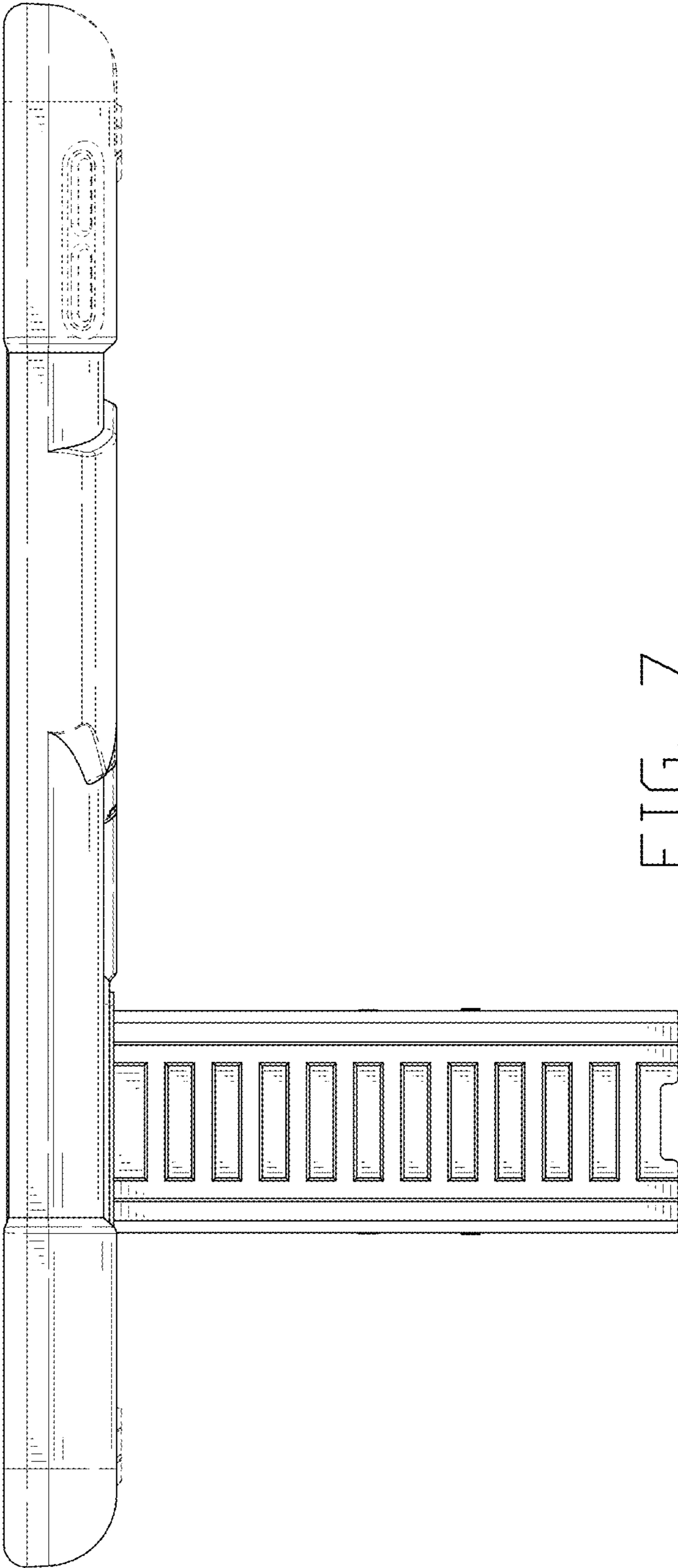


FIG. 7



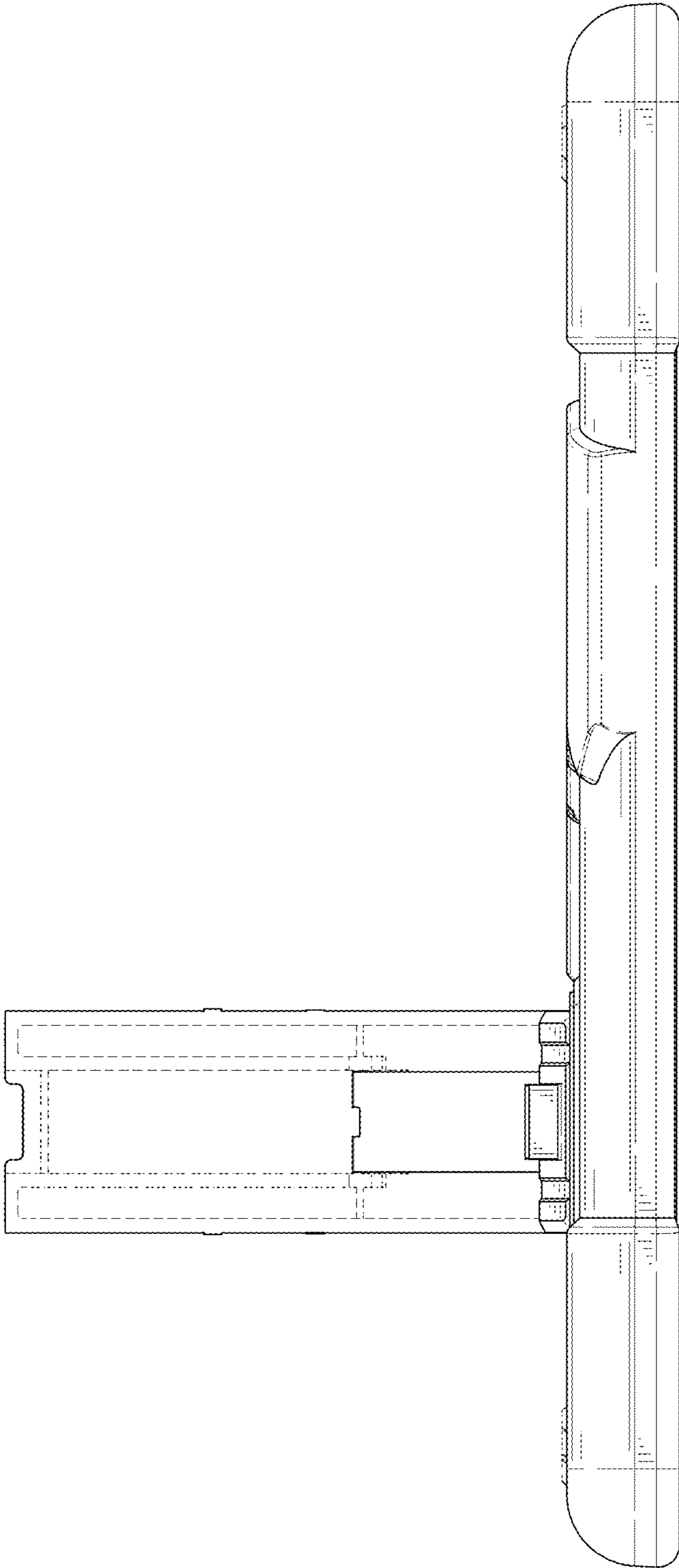


FIG. 8

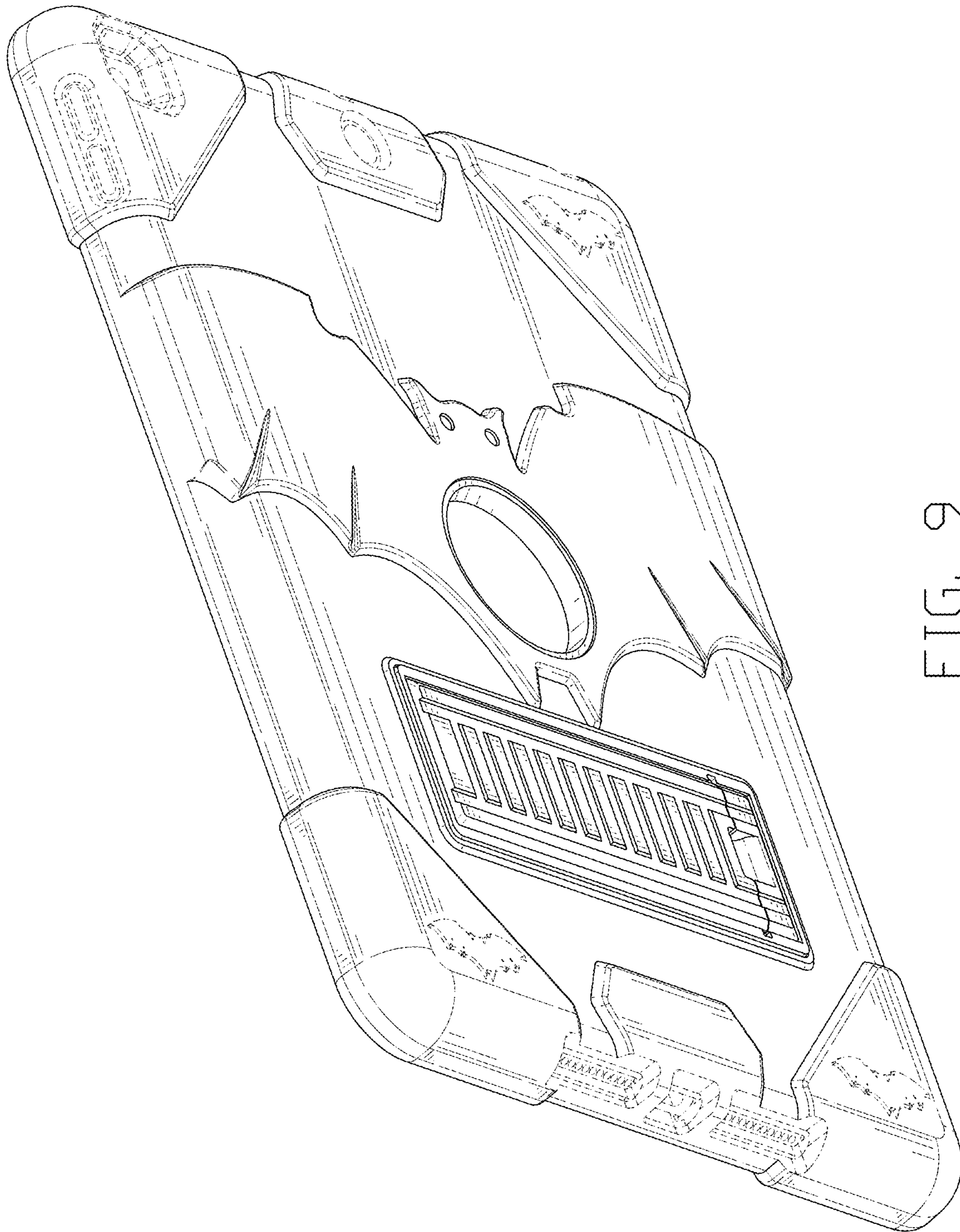


FIG. 9

