



US00D975097S

(12) **United States Design Patent**
Guang et al.

(10) **Patent No.:** **US D975,097 S**
(45) **Date of Patent:** **** Jan. 10, 2023**

- (54) **ELECTRONIC DEVICE COVER**
- (71) Applicant: **Amazon Technologies, Inc.**, Seattle, WA (US)
- (72) Inventors: **Muye Guang**, Sunnyvale, CA (US);
Paul Van Gasse, Sunnyvale, CA (US);
Tim Wall, Sausalito, CA (US)
- (73) Assignee: **Amazon Technologies, Inc.**, Seattle, WA (US)
- (**) Term: **15 Years**
- (21) Appl. No.: **29/683,161**
- (22) Filed: **Mar. 11, 2019**
- (51) **LOC (14) Cl.** **14-02**
- (52) **U.S. Cl.**
USPC **D14/440**
- (58) **Field of Classification Search**
USPC D14/217, 238.1, 240, 248, 250, 251–253,
D14/439, 440, 447; D13/107–108, 103,
D13/119; D3/201, 269, 273, 301, 218,
D3/247, 303
CPC H04B 1/3888; H04M 1/0283; H04M
1/0202; A45C 1/06; A45C 11/00; A45C
13/02; A45C 2011/002; A45F 2005/026;
A45F 2200/0525; A45F 2200/0516
See application file for complete search history.

D860,212 S * 9/2019 Ahn D14/440
D862,478 S * 10/2019 Ahn D14/440
D862,479 S * 10/2019 Ahn D14/440
(Continued)

OTHER PUBLICATIONS

“Kid-Proof Case for Fire 7 Tablet (Compatible with 9th Generation Tablet, 2019 Release), Pink” [online]. Amazon. [Product review as early as Jun. 26, 2019]. Retrieved from the Internet: <<https://www.amazon.com/dp/B07L1GB9BC>>.*
(Continued)

Primary Examiner — Mojtaba Tehrani
(74) *Attorney, Agent, or Firm* — Lee & Hayes, P.C.

(57) **CLAIM**

The ornamental design for an electronic device cover, as shown and described.

DESCRIPTION

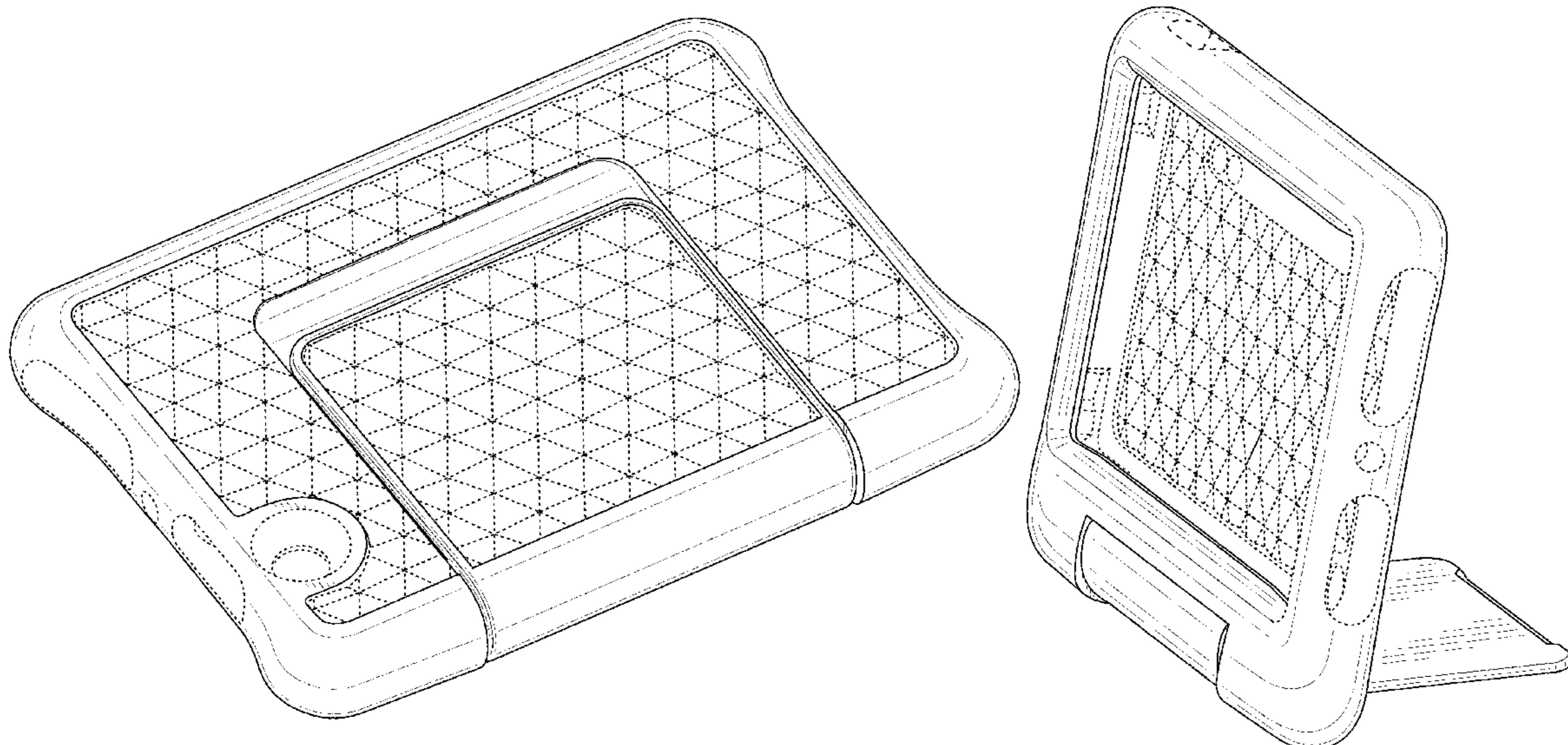
FIG. 1 is a front perspective view of an electronic device cover;
FIG. 2 is a back perspective view thereof;
FIG. 3 is a right-side view thereof;
FIG. 4 is a left-side view thereof;
FIG. 5 is a top view thereof;
FIG. 6 is a bottom view thereof;
FIG. 7 is a front view thereof;
FIG. 8 is a back view thereof;
FIG. 9 is a front perspective view of the electronic device cover with a stand of the electronic device cover extended;
FIG. 10 is a back perspective view thereof;
FIG. 11 is a right-side view thereof;
FIG. 12 is a left-side view thereof;
FIG. 13 is a top view thereof;
FIG. 14 is a bottom view thereof;
FIG. 15 is a front view thereof; and,
FIG. 16 is a back view thereof.
The dashed broken lines depict portions of the electronic device cover that form no part of the claimed design.

(56) **References Cited**

U.S. PATENT DOCUMENTS

D791,773 S *	7/2017	Moore	D14/440
D832,269 S *	10/2018	Cheng	D14/440
D837,796 S *	1/2019	Kim	D14/440
D841,011 S *	2/2019	Mecchella	D14/440
D844,621 S *	4/2019	Chen	D14/440
D850,451 S *	6/2019	Chen	D14/440
D852,200 S *	6/2019	Chan	D14/440

1 Claim, 16 Drawing Sheets



(56)

References Cited

U.S. PATENT DOCUMENTS

D874,467 S * 2/2020 Piper D14/440
 D879,789 S * 3/2020 Li D14/440
 D883,988 S * 5/2020 Li D14/440
 D884,709 S * 5/2020 Cheng D14/440
 D893,497 S * 8/2020 Li D14/440
 D898,747 S * 10/2020 Deng D14/440
 D905,698 S * 12/2020 Wall D14/440
 D906,334 S * 12/2020 Du D14/440
 D906,336 S * 12/2020 Li D14/440
 D909,390 S * 2/2021 Kim D14/440
 D917,493 S * 4/2021 Zhang D14/440
 D918,212 S * 5/2021 Mecchella D14/440
 D923,012 S * 6/2021 Li D14/440
 D924,876 S * 7/2021 Chan D14/440
 D924,877 S * 7/2021 Weng D14/440
 D927,494 S * 8/2021 Yu D14/440
 D928,167 S * 8/2021 Cheng D14/440
 D930,653 S * 9/2021 Armstrong D14/440
 D936,659 S * 11/2021 Li D14/440
 D937,273 S * 11/2021 Wei D14/440
 D940,120 S * 1/2022 Kim D14/250

D941,298 S * 1/2022 Mecchella D14/440
 D950,566 S * 5/2022 Chen D14/440
 D959,437 S * 8/2022 Li D14/440

OTHER PUBLICATIONS

“Fire 7 Tablet Case for Kids (only Compatible 12th Gen, 2022 Release), OQDDQO 2022 New Kindle Fire 7 Case, Extra Thick Protective Layer Double-Layer Shockproof in Four Corners (Blue)” [online]. Amazon. [Product first available on Apr. 14, 2022]. Retrieved from the Internet: <<https://www.amazon.com/dp/B09XXDQ5P2>>.*
 Canadian Office Action dated Nov. 18, 2020 for Canadian Patent Application No. 189575, a counterpart of U.S. Appl. No. 29/683,161, 2 pages.
 Chinese Office Action dated Mar. 12, 2020, for Chinese Design Application No. 201930501580.6, a counterpart foreign application of the Design U.S. Appl. No. 29/683,161, 1 pages.
 Korean Office Action dated Feb. 21, 2020, for Korean Design Application No. 30-2019-43190, a counterpart foreign application of the Design U.S. Appl. No. 29/683,161, 5 pages.

* cited by examiner

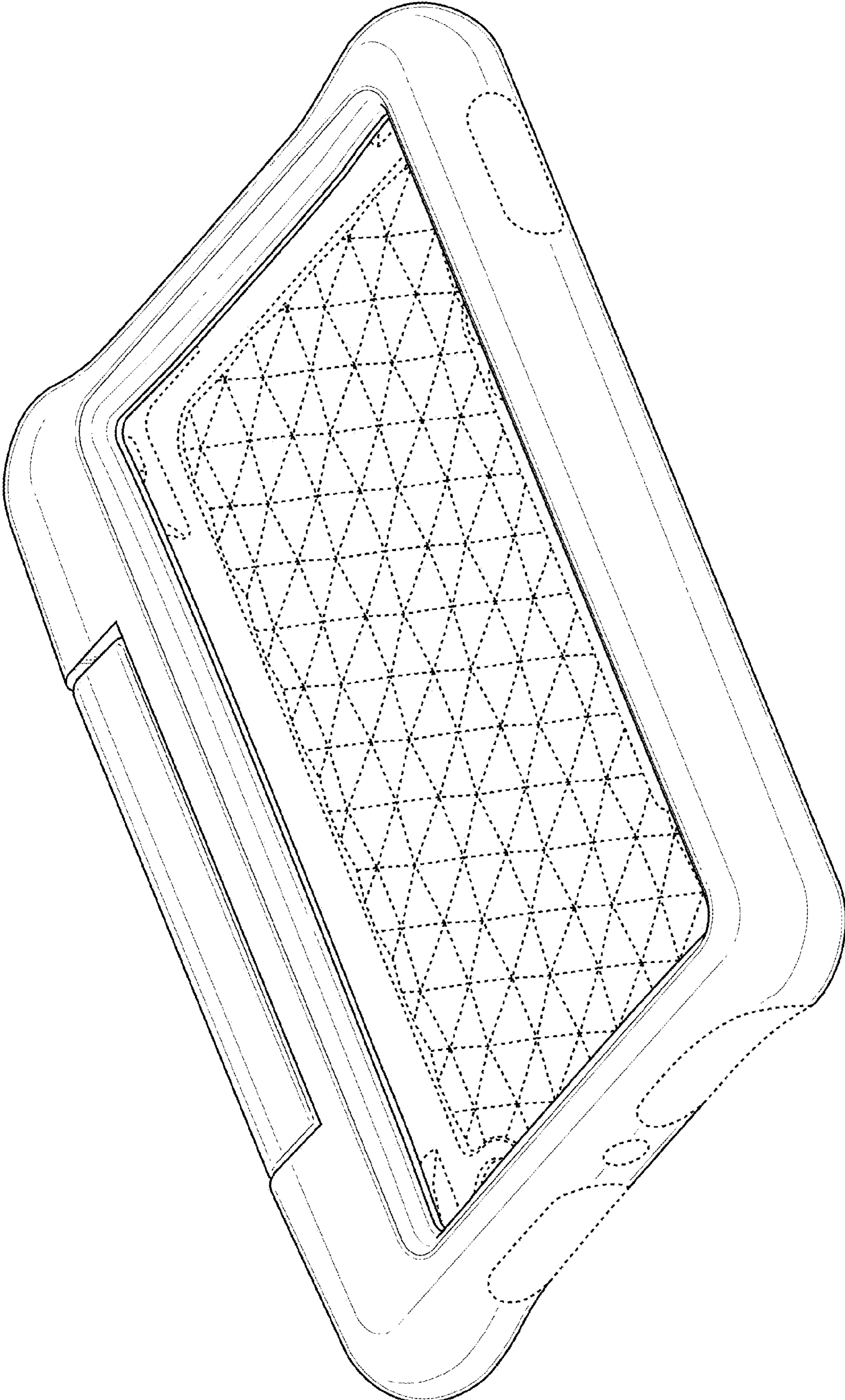


FIG. 1

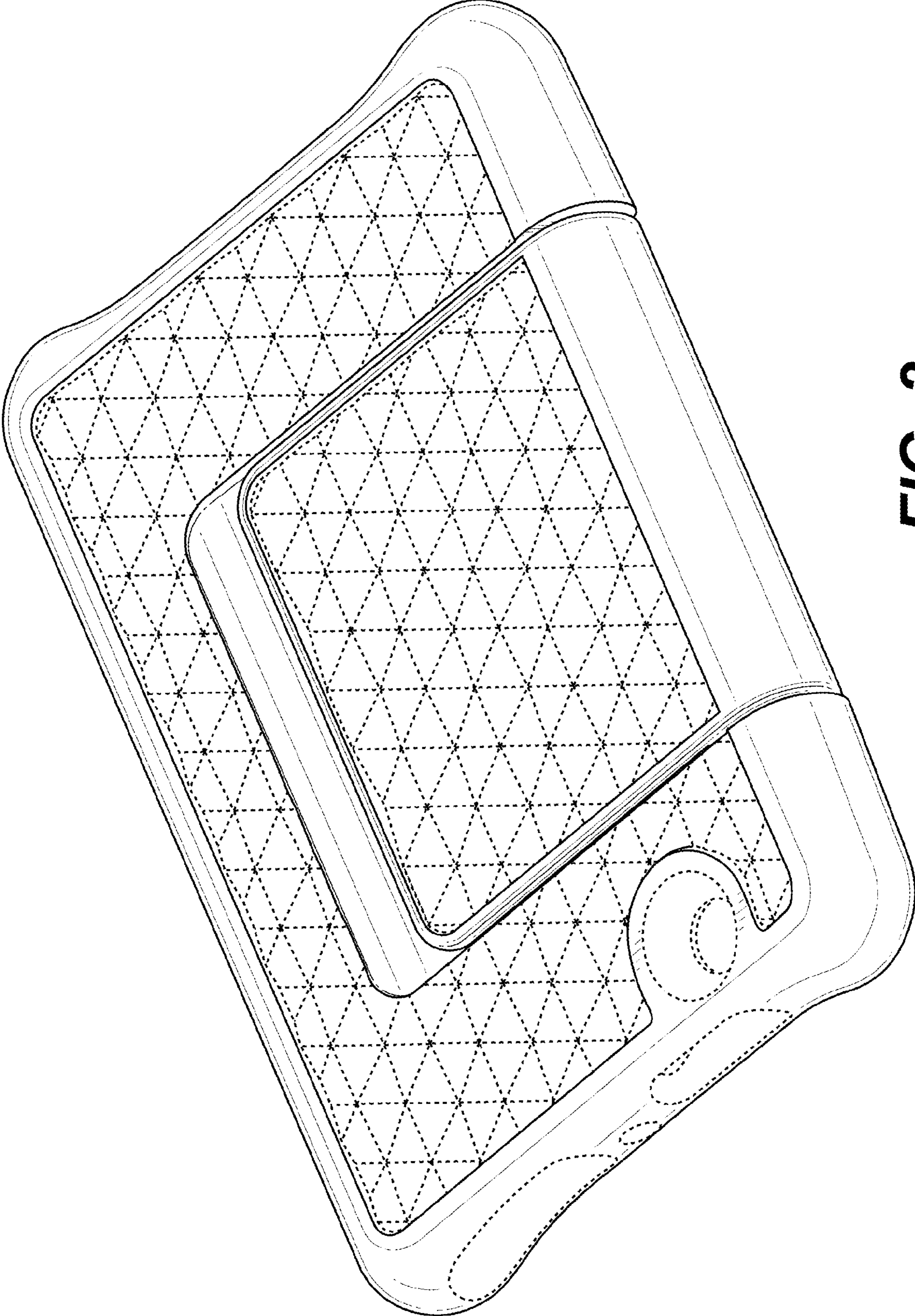


FIG. 2

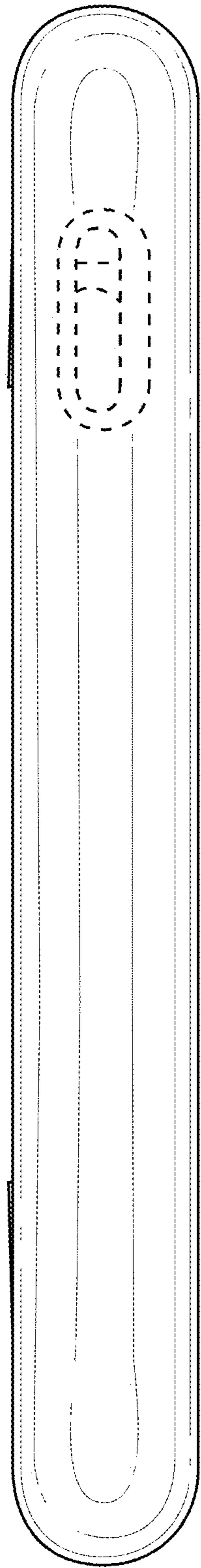


FIG. 3

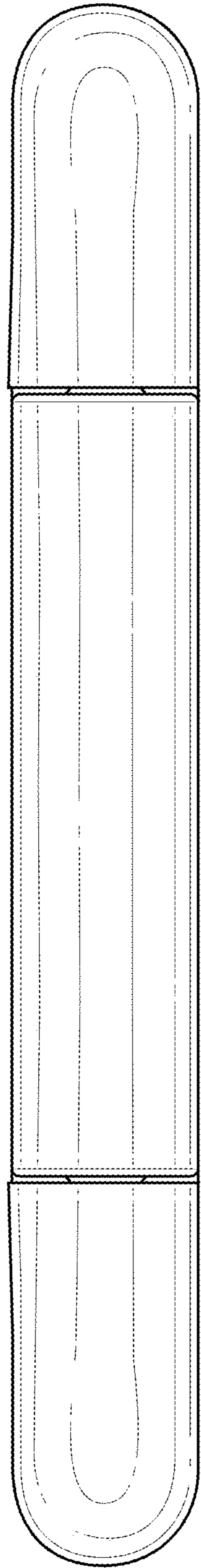


FIG. 4

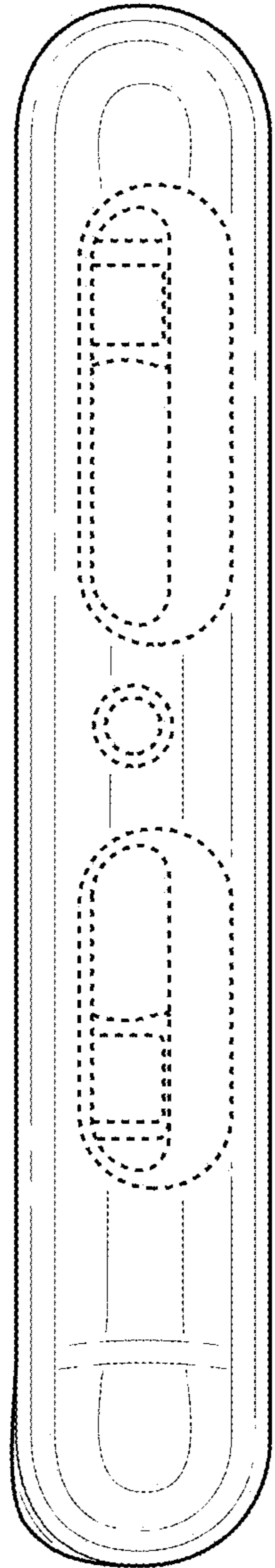


FIG. 5

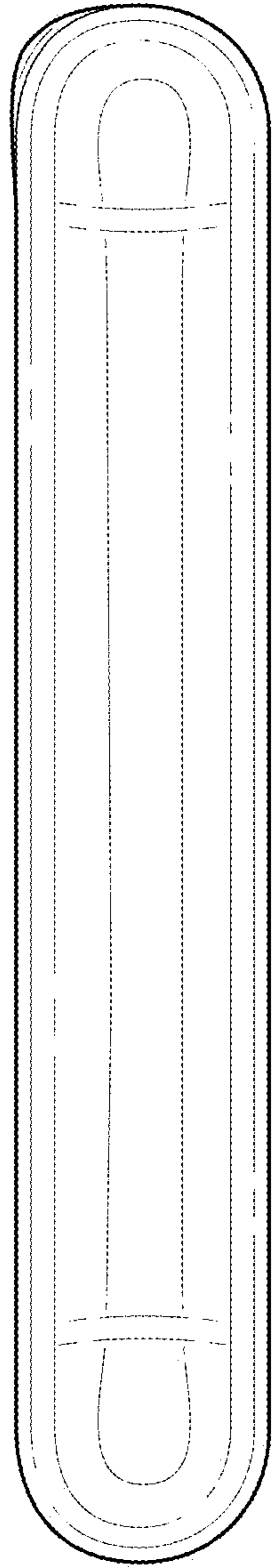


FIG. 6

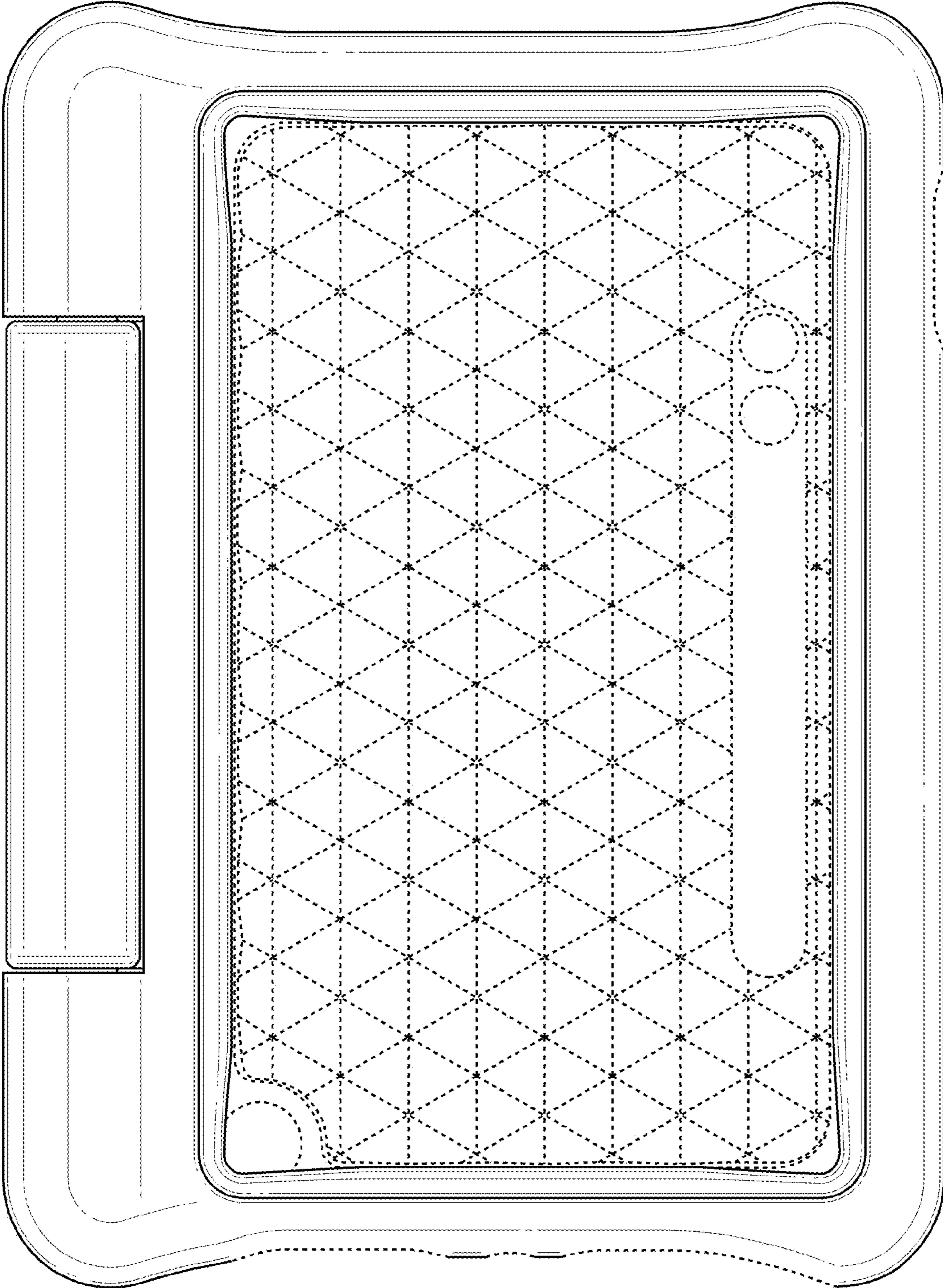


FIG. 7

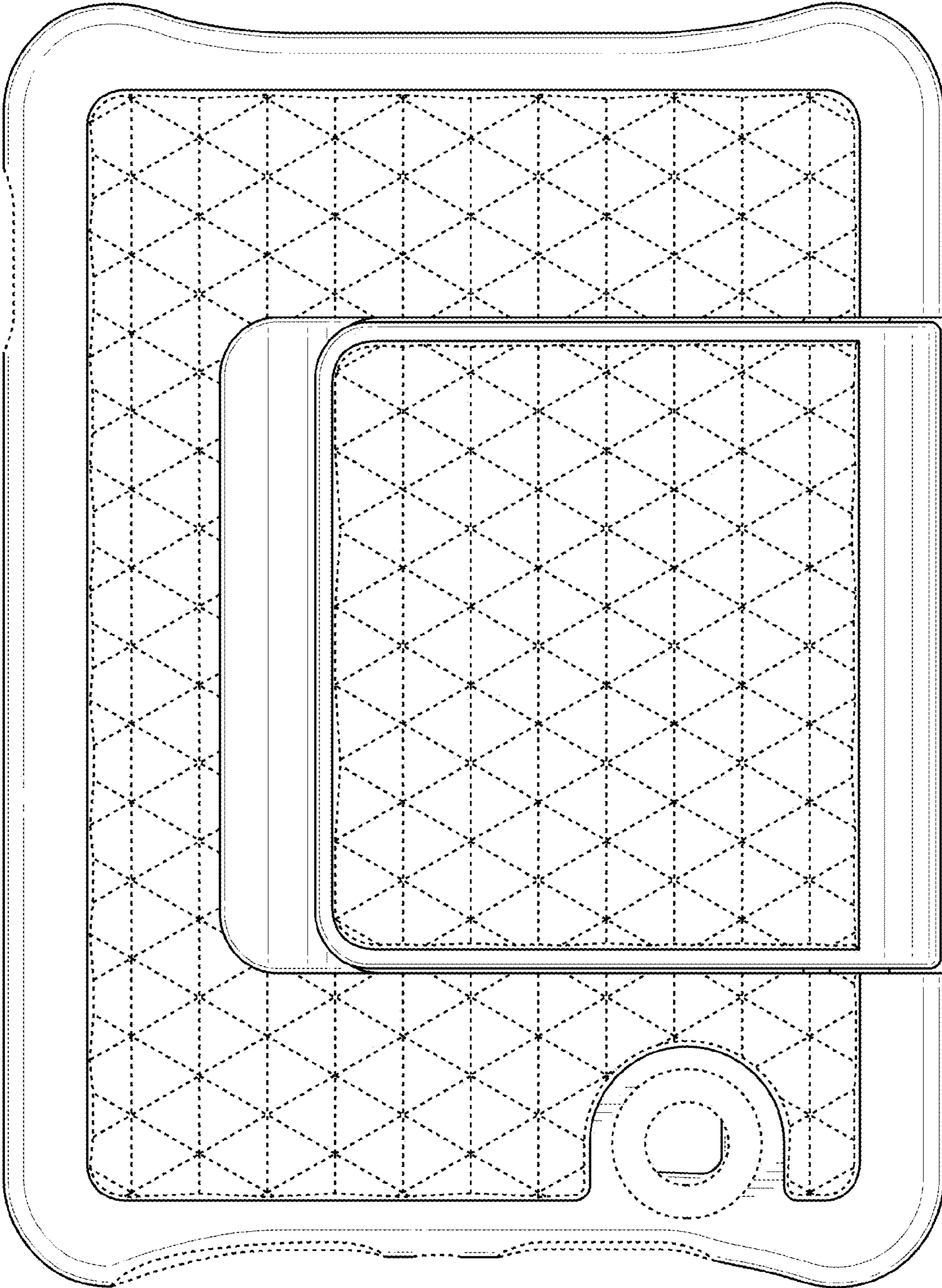


FIG. 8

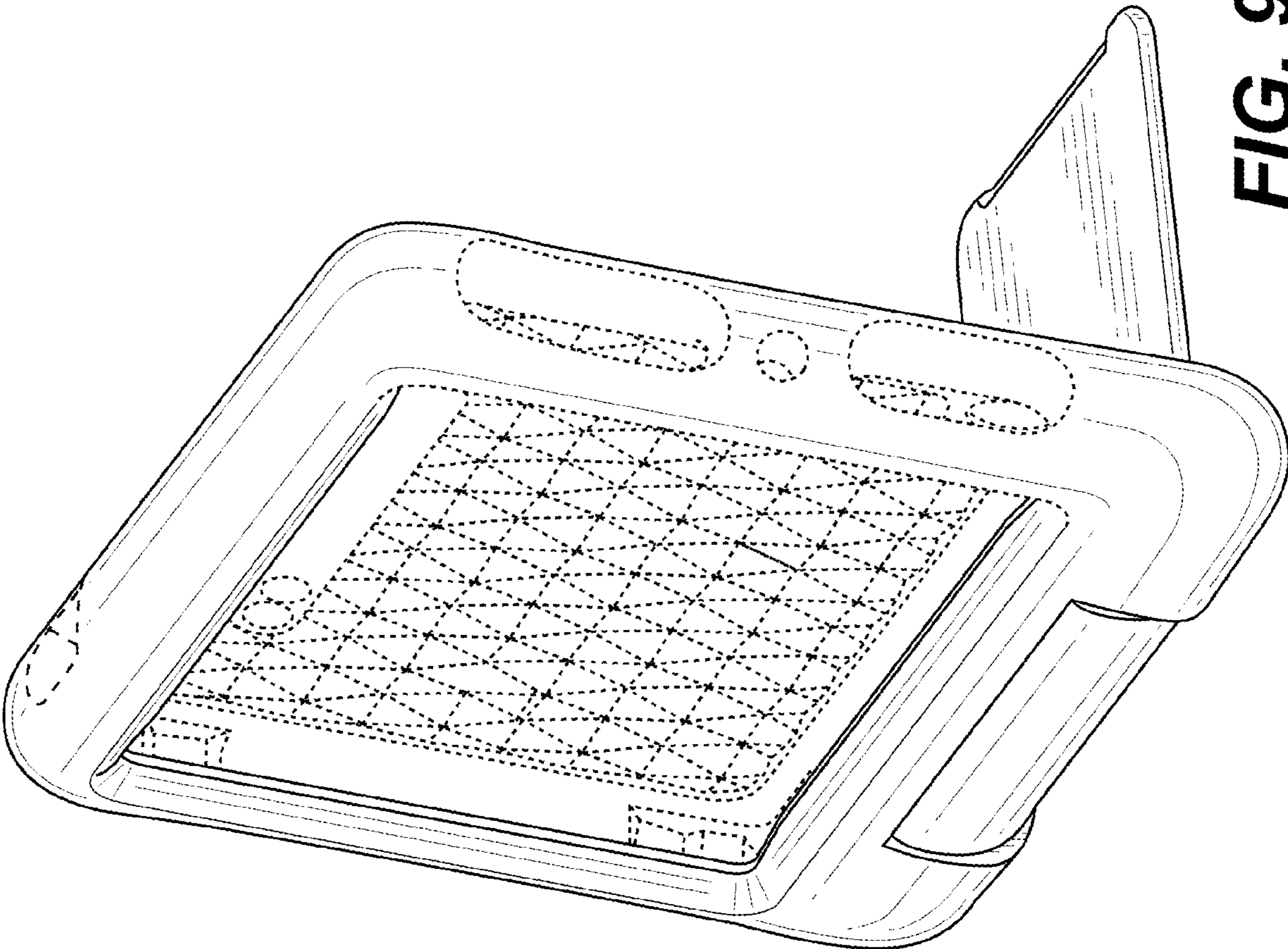


FIG. 9

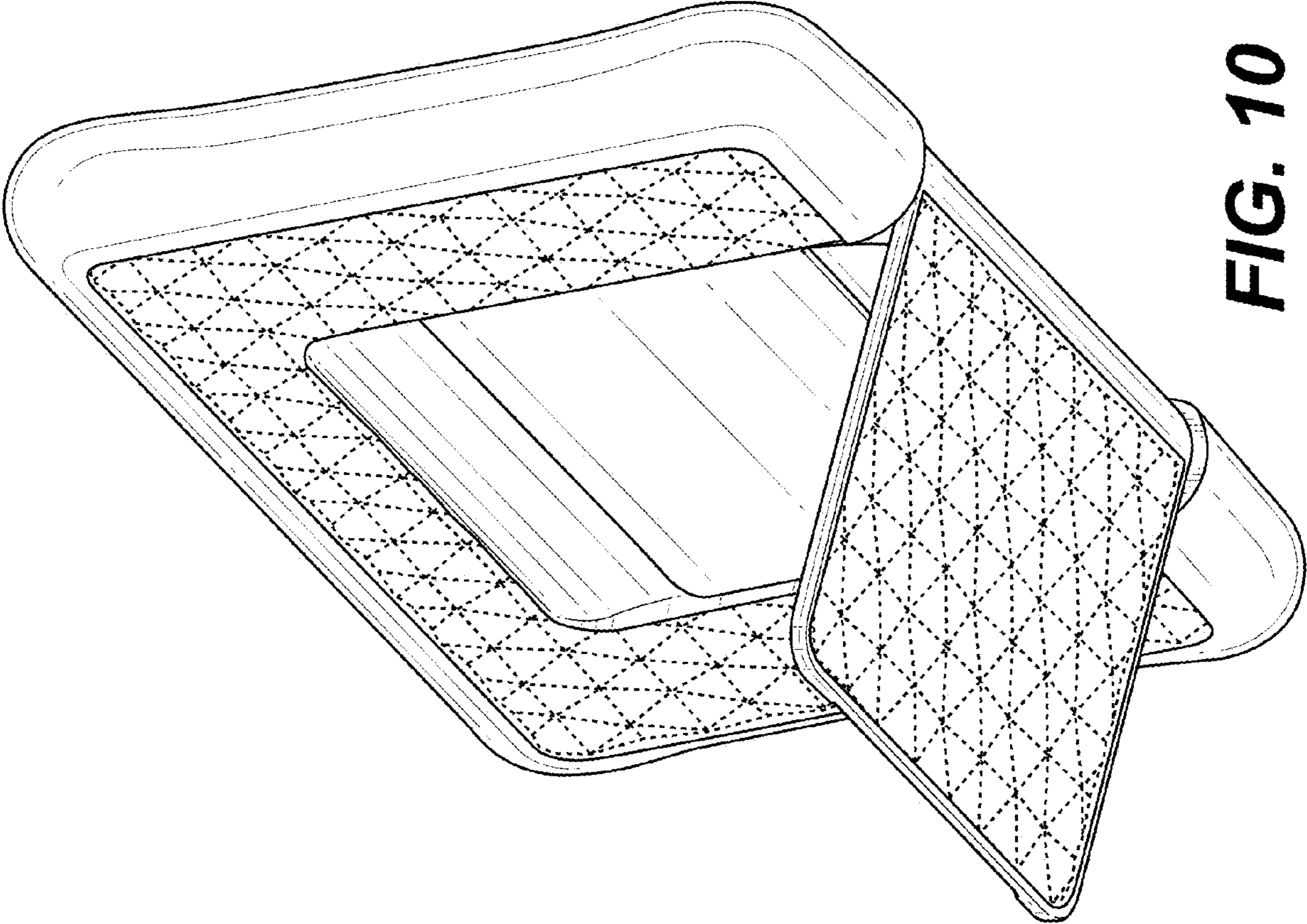


FIG. 10

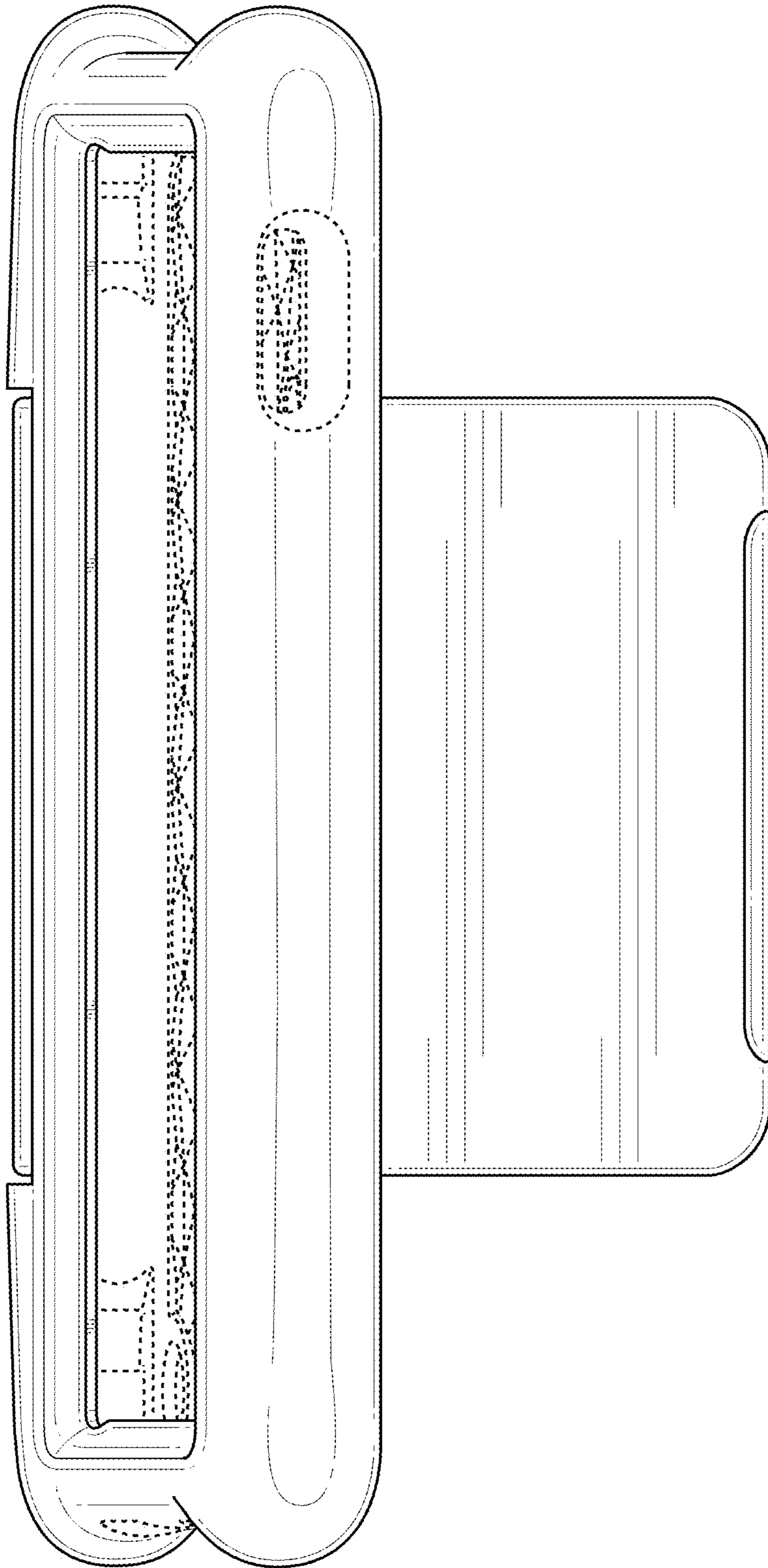


FIG. 11

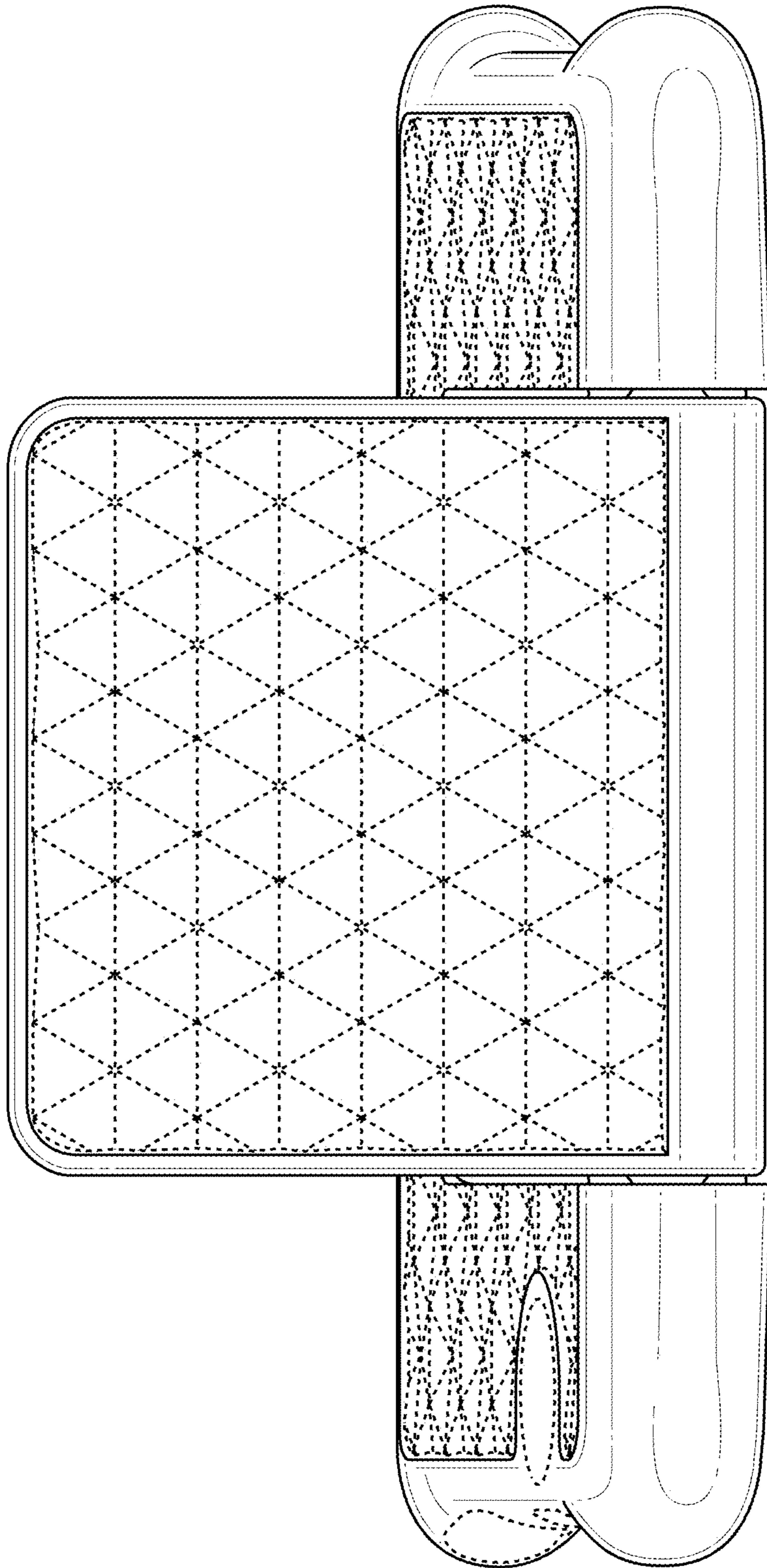


FIG. 12

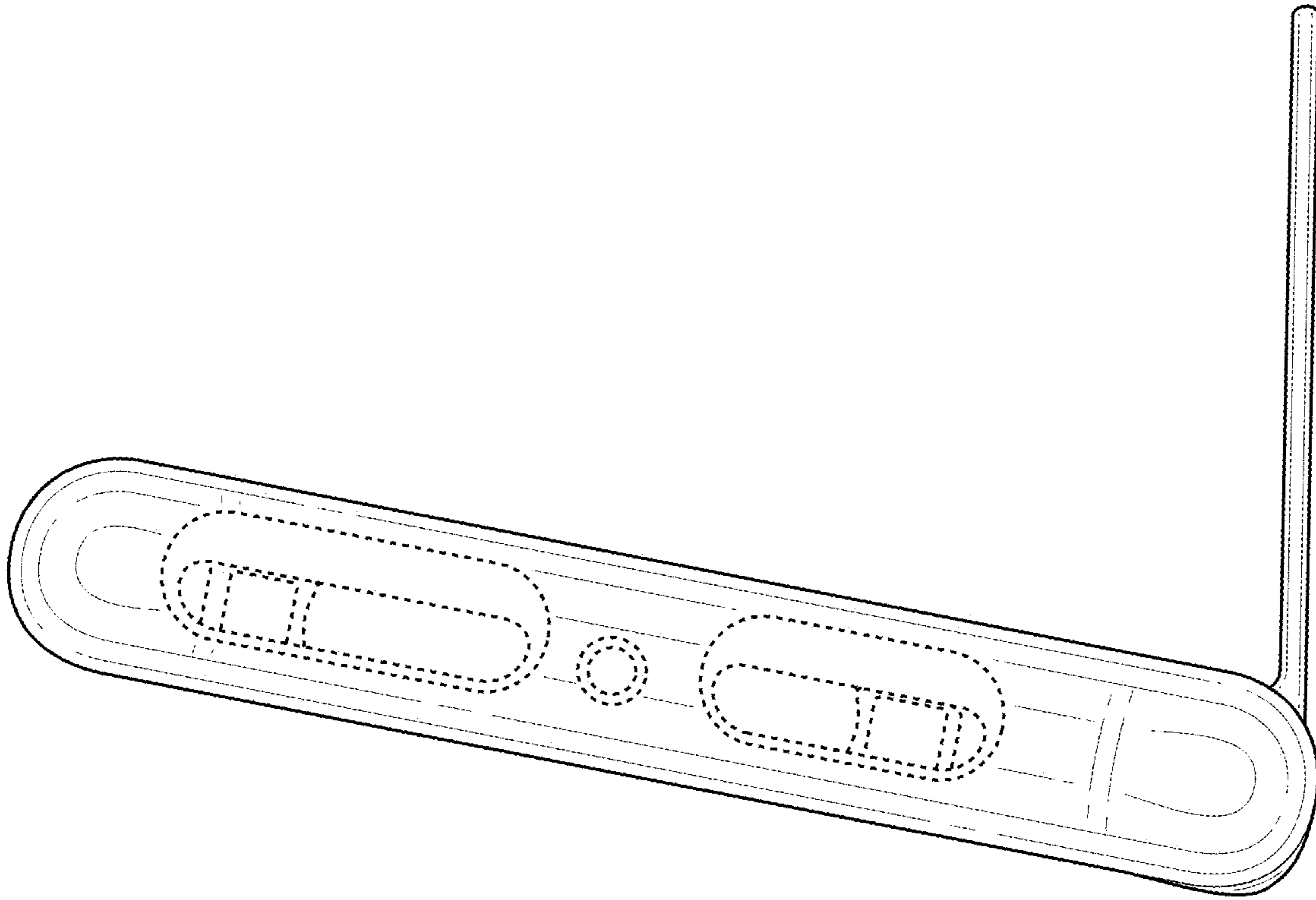


FIG. 13

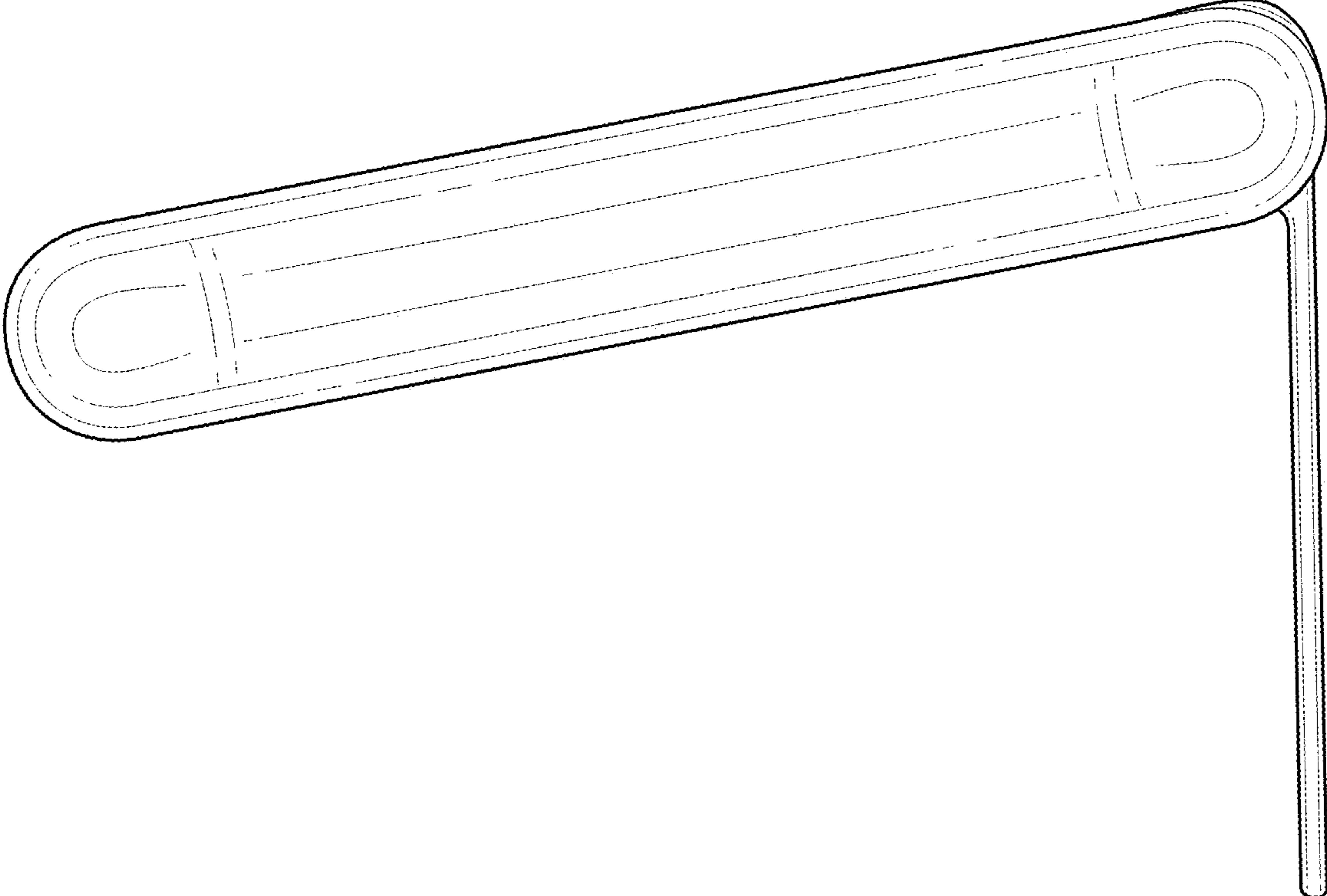


FIG. 14

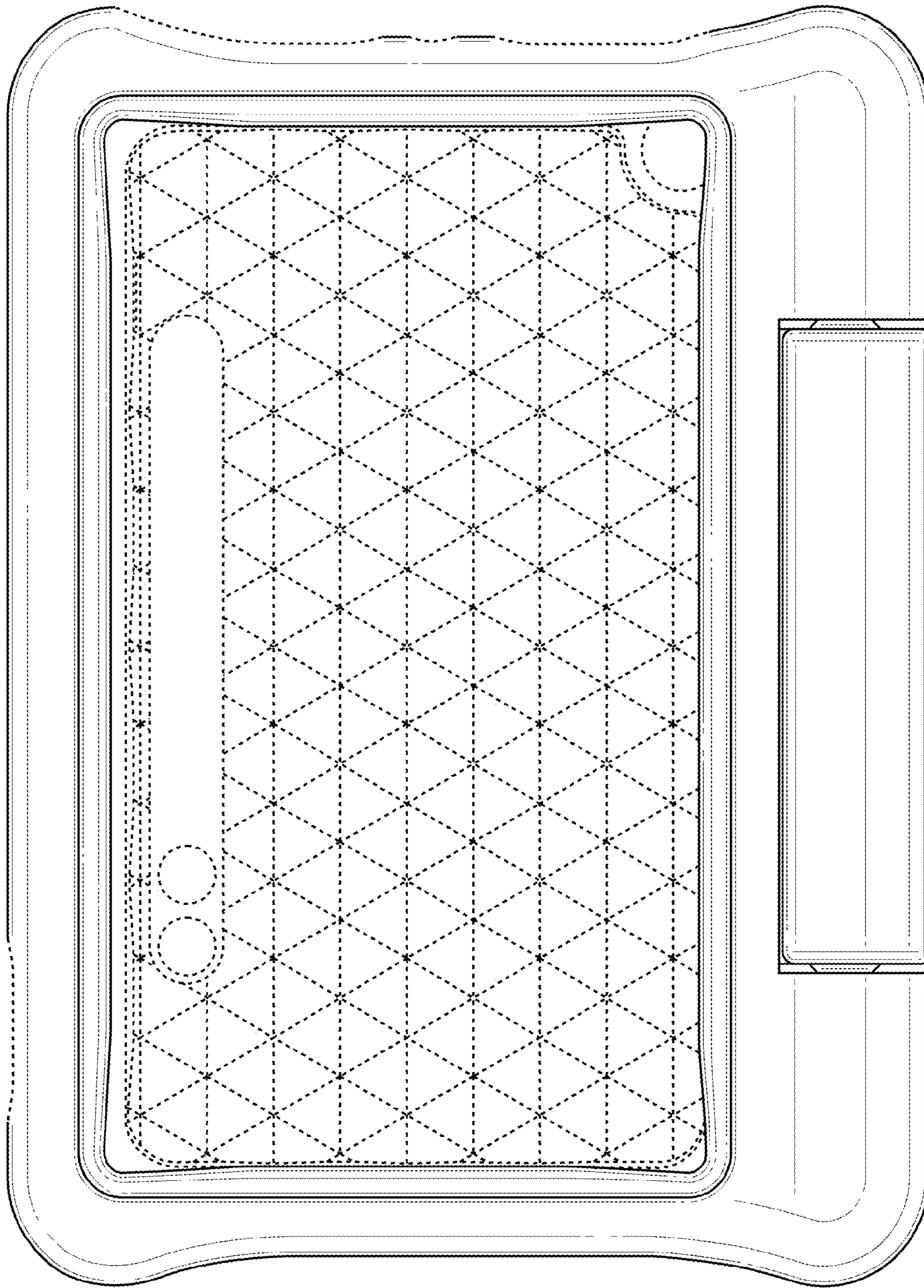


FIG. 15

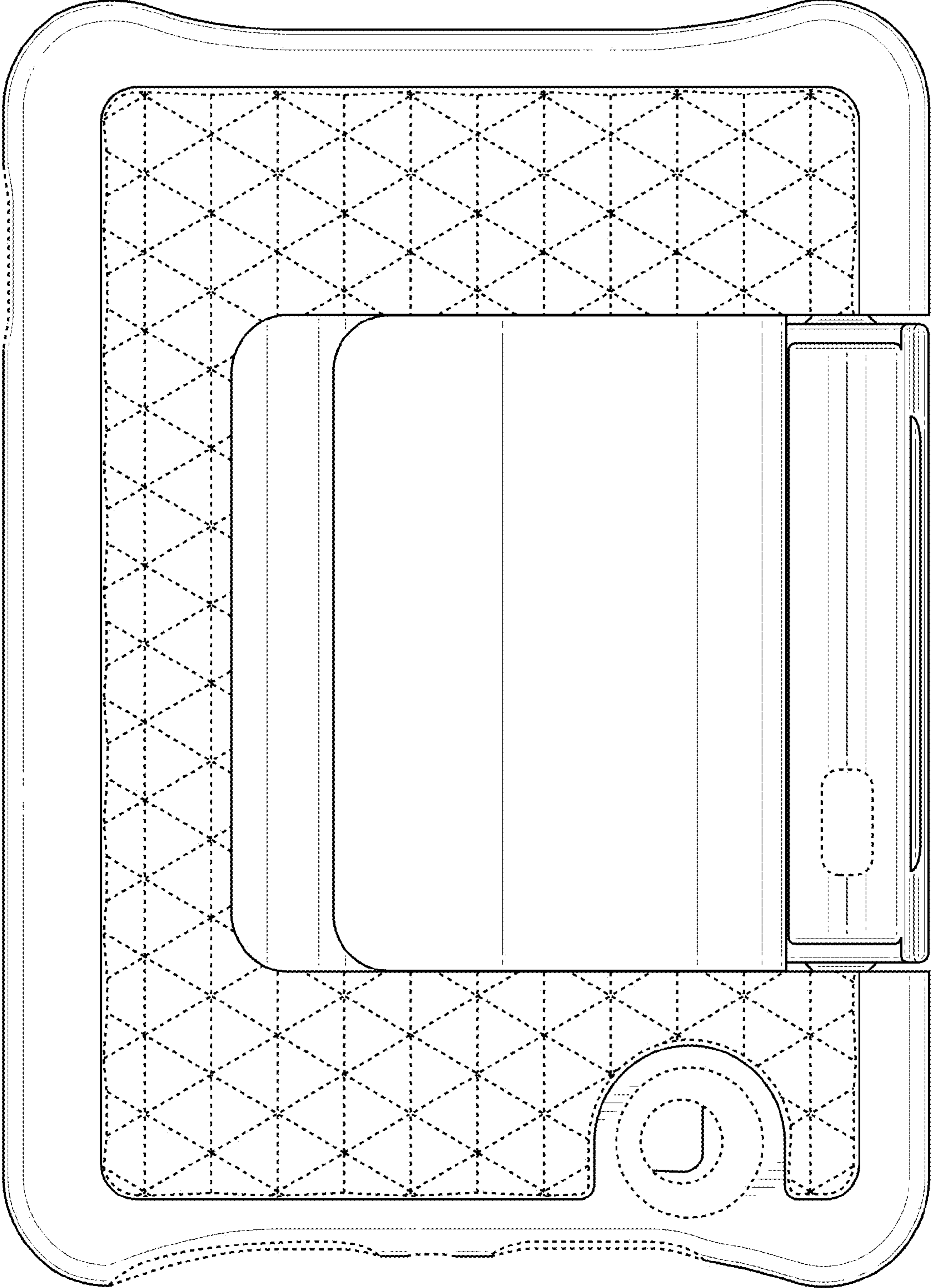


FIG. 16