



US00D975095S

(12) **United States Design Patent**  
**Zhang**

(10) **Patent No.:** **US D975,095 S**  
(45) **Date of Patent:** **\*\* Jan. 10, 2023**

(54) **CAP FOR VIDEO GAME JOYSTICK**

(71) Applicant: **Shenzhen Haoyi Technology Co., Ltd.**,  
Shenzhen (CN)

(72) Inventor: **Xinbin Zhang**, Puning (CN)

(73) Assignee: **Shenzhen Haoyi Technology Co., Ltd.**

(\*\*) Term: **15 Years**

(21) Appl. No.: **29/726,846**

(22) Filed: **Mar. 5, 2020**

(51) **LOC (14) Cl.** ..... **14-02**

(52) **U.S. Cl.**  
USPC ..... **D14/415**; D14/416

(58) **Field of Classification Search**  
USPC ..... D14/155–159, 160–173, 187–188,  
D14/189–198, 203.1–203.8, 204–216,  
D14/217–222, 225–229, 257–258,  
D14/400–416, 426–431, 496, 900–902;  
D16/131–133, 135, 221–222, 227,  
D16/230–231, 234; D18/4.1–4.6;  
D21/324–332, 333, 403, 477, 512–513,  
D21/516, 566; D12/174–180  
CPC ..... H04R 1/02; H04R 1/021; H04R 1/025;  
H04R 1/026; H04R 1/028; H04R 1/06;  
H04R 1/105; H04R 1/323; H04R 1/403;  
H04R 1/2803; H04R 1/2834

See application file for complete search history.

(56) **References Cited**

**U.S. PATENT DOCUMENTS**

D357,588 S \* 4/1995 Fachinger ..... D6/303  
5,883,690 A \* 3/1999 Meyers ..... A63F 13/02  
345/157  
D435,160 S \* 12/2000 Macias ..... D1/107  
D445,518 S \* 7/2001 Warden ..... D30/155  
D476,767 S \* 7/2003 Warden ..... D30/152  
D591,478 S \* 5/2009 Slusarczyk ..... D1/107  
D614,074 S \* 4/2010 Castaline ..... D11/79

D650,147 S \* 12/2011 Kerr ..... D1/106  
D651,524 S \* 1/2012 Kerr ..... D9/756  
8,100,772 B2 \* 1/2012 Sternberg ..... A63F 13/98  
345/161  
D654,245 S \* 2/2012 School ..... D99/5  
D676,202 S \* 2/2013 Hansen ..... D30/121

(Continued)

**FOREIGN PATENT DOCUMENTS**

CA 114063 \* 4/2007  
CN 303950688 \* 11/2016

(Continued)

**OTHER PUBLICATIONS**

Fosmon (Set of 4) Analog Stick Joystick Controller Performance Thumb Grips, date first available: Dec. 15, 2017, [retrieved Feb. 8, 2022], Retrieved from Internet, URL: <<https://www.amazon.com/Fosmon-Analog-Joystick-Controller-Performance/dp/B078B21Y8S?th=1>>(Year: 2017).\*

(Continued)

*Primary Examiner* — Messina L Smith  
*Assistant Examiner* — Aram Kwon

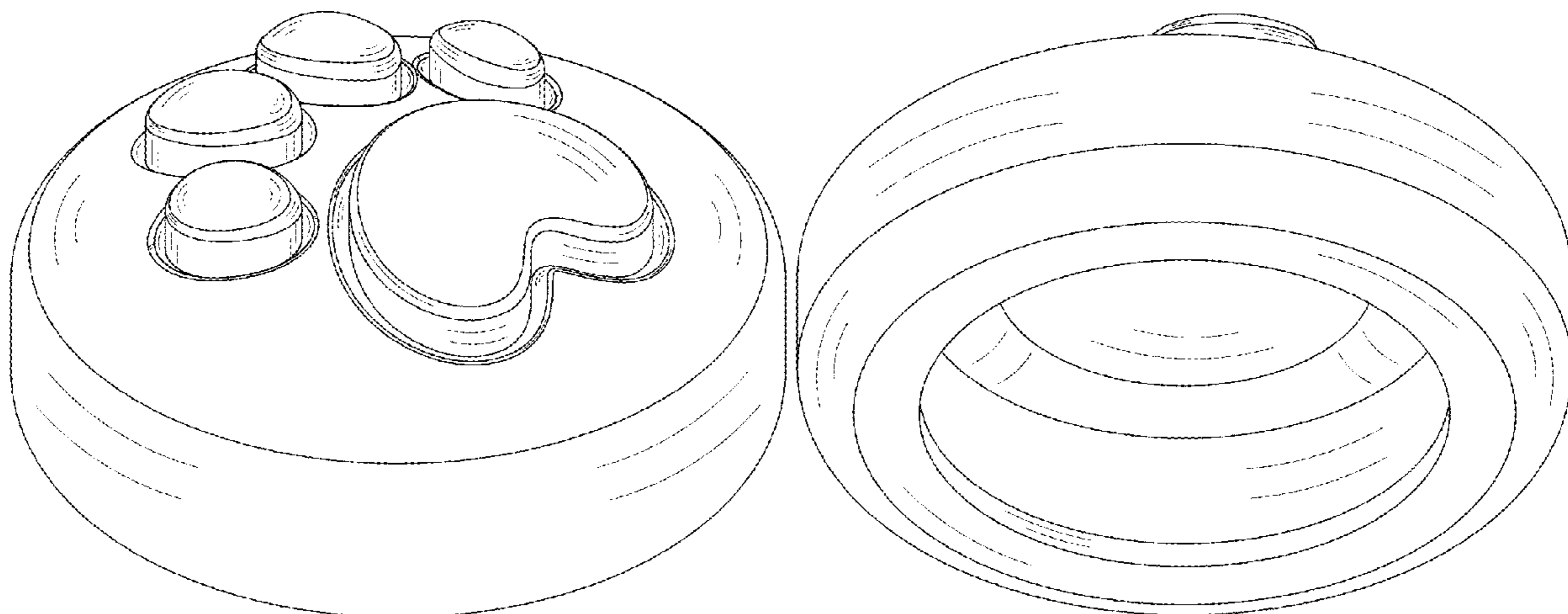
(57) **CLAIM**

The ornamental design for a cap for video game joystick, as shown and described.

**DESCRIPTION**

FIG. 1 is a front view of a cap for video game joystick, showing my new design;  
FIG. 2 is a back view thereof;  
FIG. 3 is a left side view thereof;  
FIG. 4 is a right side view thereof;  
FIG. 5 is a top view thereof;  
FIG. 6 is a bottom view thereof;  
FIG. 7 is a perspective view thereof; and,  
FIG. 8 is another perspective view thereof.

**1 Claim, 8 Drawing Sheets**



(56)

References Cited

U.S. PATENT DOCUMENTS

D693,862 S \* 11/2013 Wirth, Jr ..... D15/140  
 D757,374 S \* 5/2016 Breit ..... D30/133  
 D759,339 S \* 6/2016 Smith ..... D99/5  
 D785,779 S \* 5/2017 Paris ..... D1/107  
 D804,456 S \* 12/2017 Katopis ..... D14/207  
 D806,246 S \* 12/2017 Schraga ..... D24/146  
 D811,622 S \* 2/2018 Flood ..... D25/113  
 D812,594 S \* 3/2018 Katopis ..... D14/207  
 D820,528 S \* 6/2018 Warwarick ..... D30/129  
 D822,622 S \* 7/2018 Cheng ..... D24/107  
 D859,776 S \* 9/2019 Khan ..... D99/5  
 D869,817 S \* 12/2019 White ..... D1/109  
 D874,273 S \* 2/2020 Katopis ..... D9/601  
 D889,978 S \* 7/2020 Leboucher ..... D9/451  
 D898,303 S \* 10/2020 Baiocchi ..... D24/195  
 D902,504 S \* 11/2020 Katopis ..... D30/158  
 D917,622 S \* 4/2021 Hsu ..... D21/333  
 D927,383 S \* 8/2021 Windle ..... D34/31  
 D927,630 S \* 8/2021 Hsu ..... D21/803  
 D928,424 S \* 8/2021 Waddick ..... D30/152  
 D929,672 S \* 8/2021 Hoover ..... D30/160  
 D930,947 S \* 9/2021 O'Brien ..... D1/199  
 D933,749 S \* 10/2021 Zhang ..... D21/333  
 D936,332 S \* 11/2021 O'Brien ..... D1/109  
 D940,432 S \* 1/2022 O'Brien ..... D1/199  
 2006/0003840 A1 \* 1/2006 Bailey ..... A63F 13/02  
 463/36  
 2011/0169183 A1 \* 7/2011 Axelrod ..... A01K 15/026  
 425/542  
 2017/0106274 A1 \* 4/2017 Ramcheran ..... A63F 13/24

FOREIGN PATENT DOCUMENTS

IN 323475-001-0001 \* 1/2021  
 JP D1648625 \* 12/2019  
 KR 301096455.0000 \* 2/2021

OTHER PUBLICATIONS

Yueton 5 Pairs Replacement Cat Pad Style Silicone Analog Controller Joystick Thumb Stick Grip, date first available: Jun. 27, 2015, [retrieved Feb. 8, 2022], Retrieved from Internet, URL: <<https://www.amazon.com/Replacement-Silicone-Controller-Joystick-PlayStation-PS4/dp/B010HJGOZS>> (Year: 2015).\*

GeekShare, date not available, [retrieved Feb. 8, 2022], Retrieved from Internet, URL: <see attached pdf for complete url link> (Year: 2022).\*

JenDore Teal 4Pcs Paw Silicone Thumb Grip Caps, date not available, [retrieved Feb. 8, 2022], Retrieved from Internet, URL: <<https://www.walmart.com/ip/JenDore-Teal-4Pcs-Paw-Silicone-Thumb-Grip-Caps-for-Nintendo-Switch/427073359>> (Year: 2022).\*

LeyuSmart Cat Claw Thumb Grip Caps, date first available: Nov. 27, 2019, [retrieved Feb. 8, 2022], Retrieved from Internet, URL: <<https://www.amazon.co.uk/LeyuSmart-Joystick-Nintendo-Silicone-Controller-CatClaw-Gray/dp/B0874DKTY6/?th=1>> (Year: 2019).\*

Luminous Thumb Stick Grip Cap, review date: Jan. 18, 2022, [retrieved Feb. 8, 2022], Retrieved from Internet, URL: <<https://www.aliexpress.com/item/1005003032785615.html>> (Year: 2022).\*

LeyuSmart Cute Cat Paw Thumb Grip Caps, date first available: Jun. 5, 2018, [retrieved Feb. 9, 2022], Retrieved from Internet, URL: <<https://www.amazon.com/LeyuSmart-Joystick-Nintendo-Silicone-Controller/dp/B0819CCCN6/>> (Year: 2018).\*

\* cited by examiner



FIG. 1

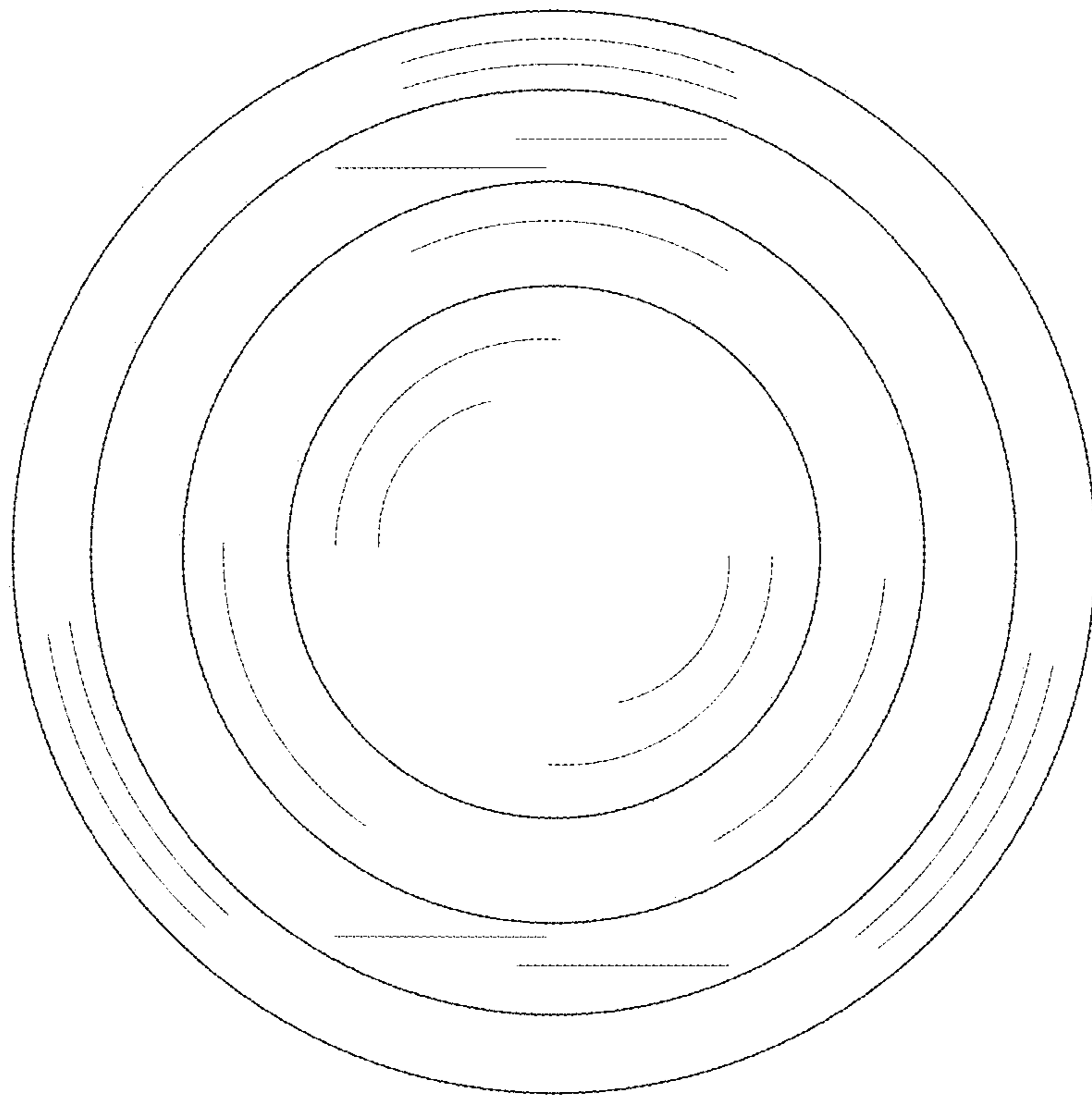


FIG. 2



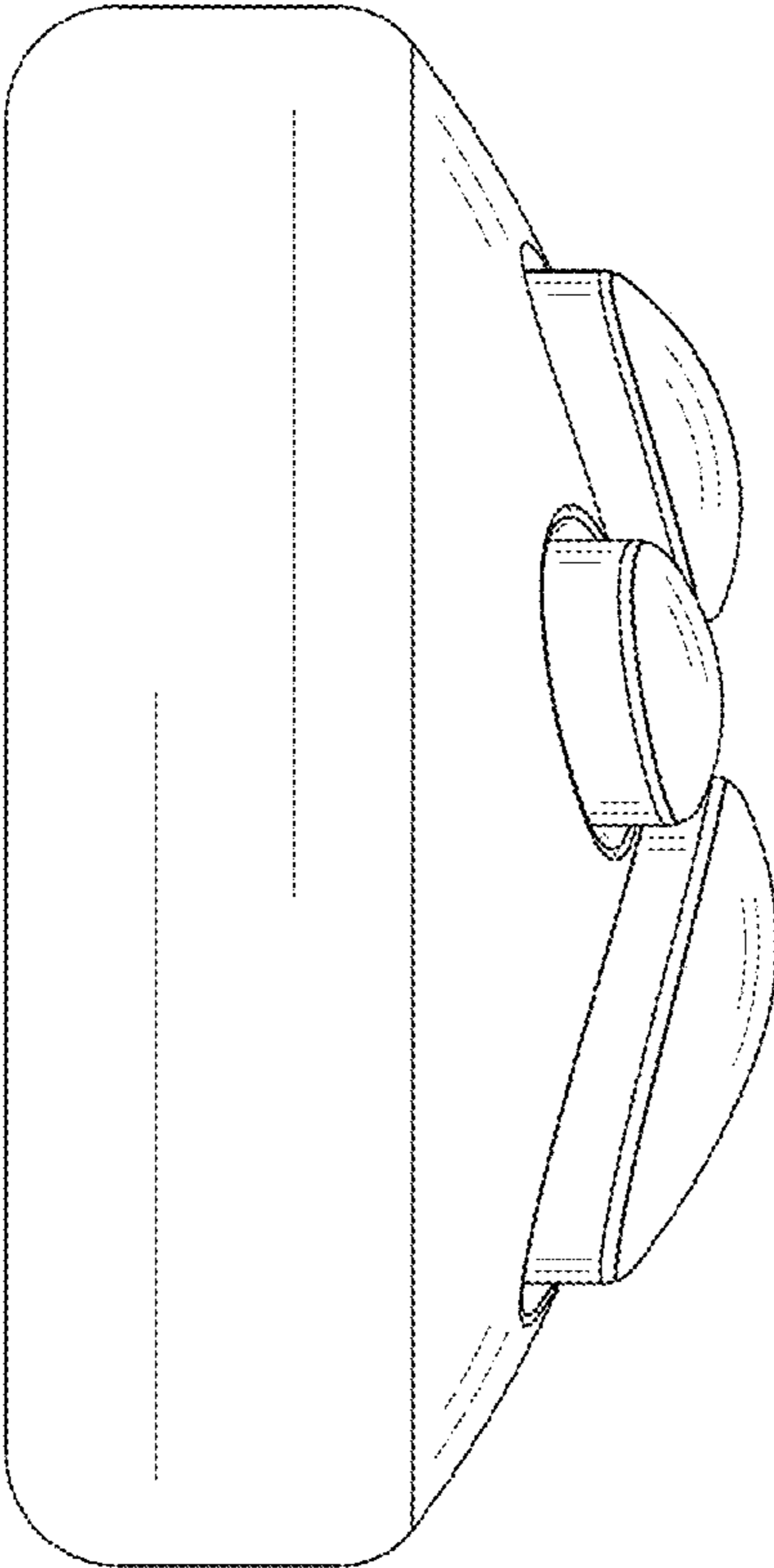


FIG. 3

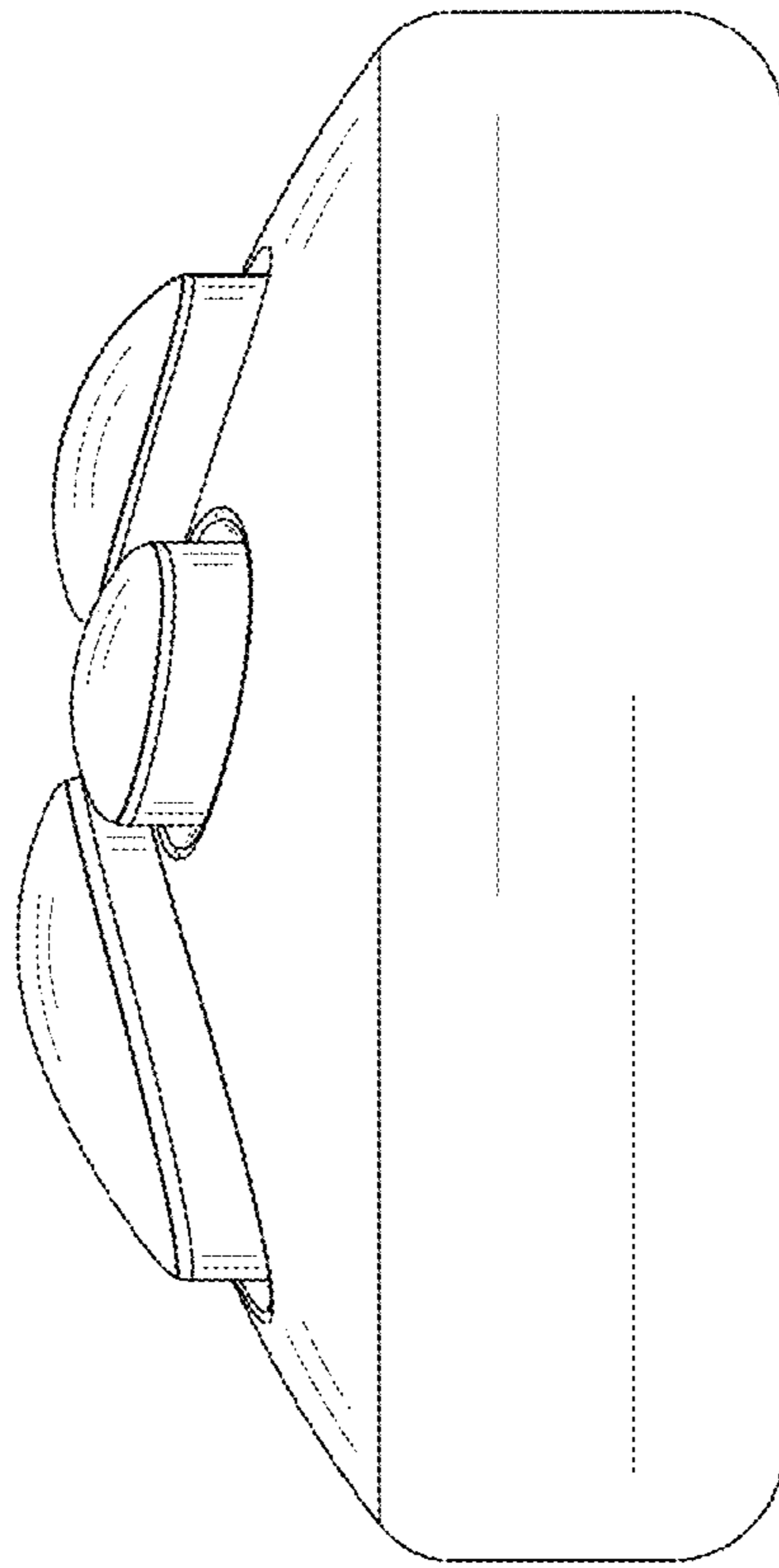


FIG. 4

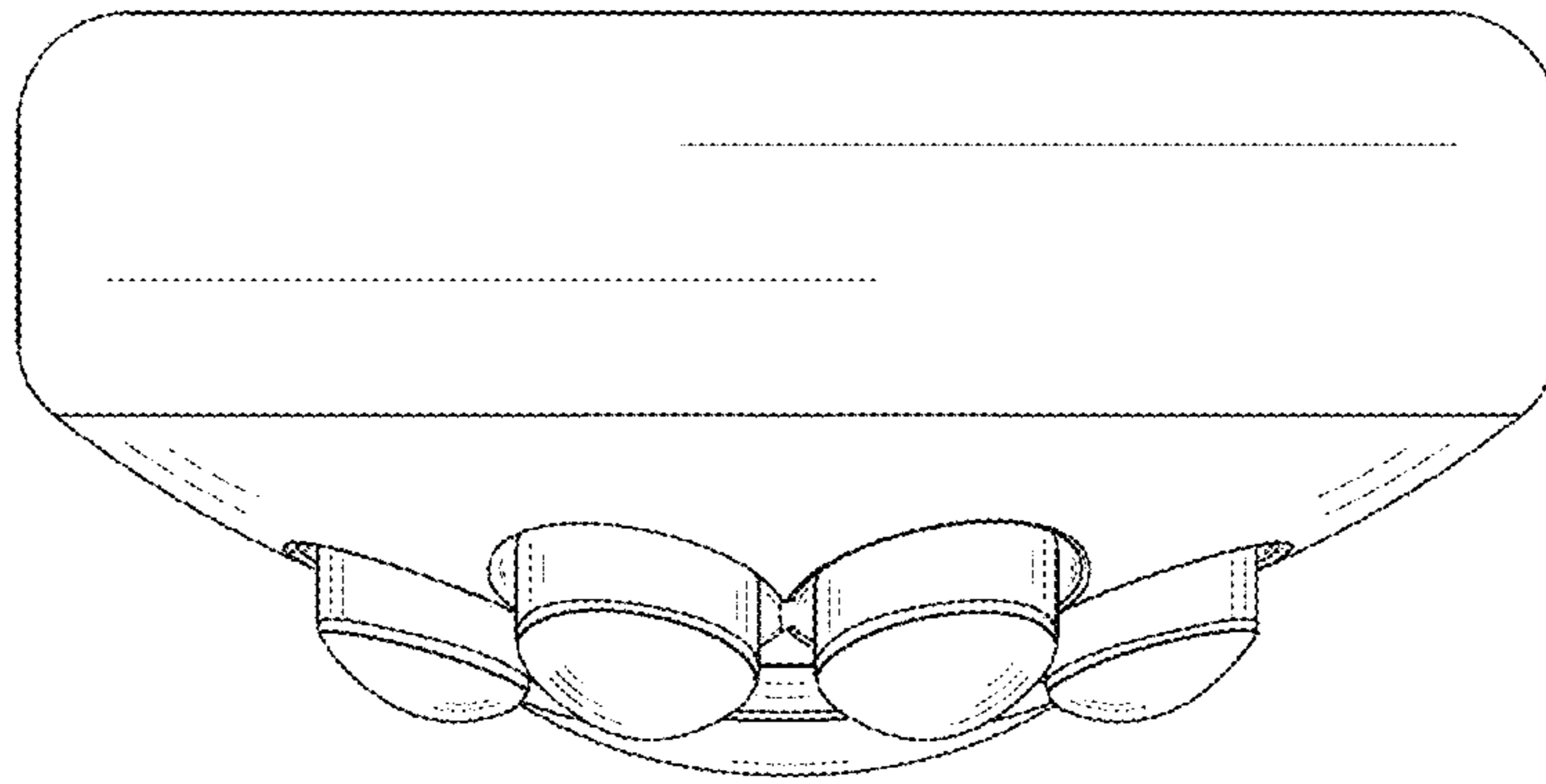


FIG. 5

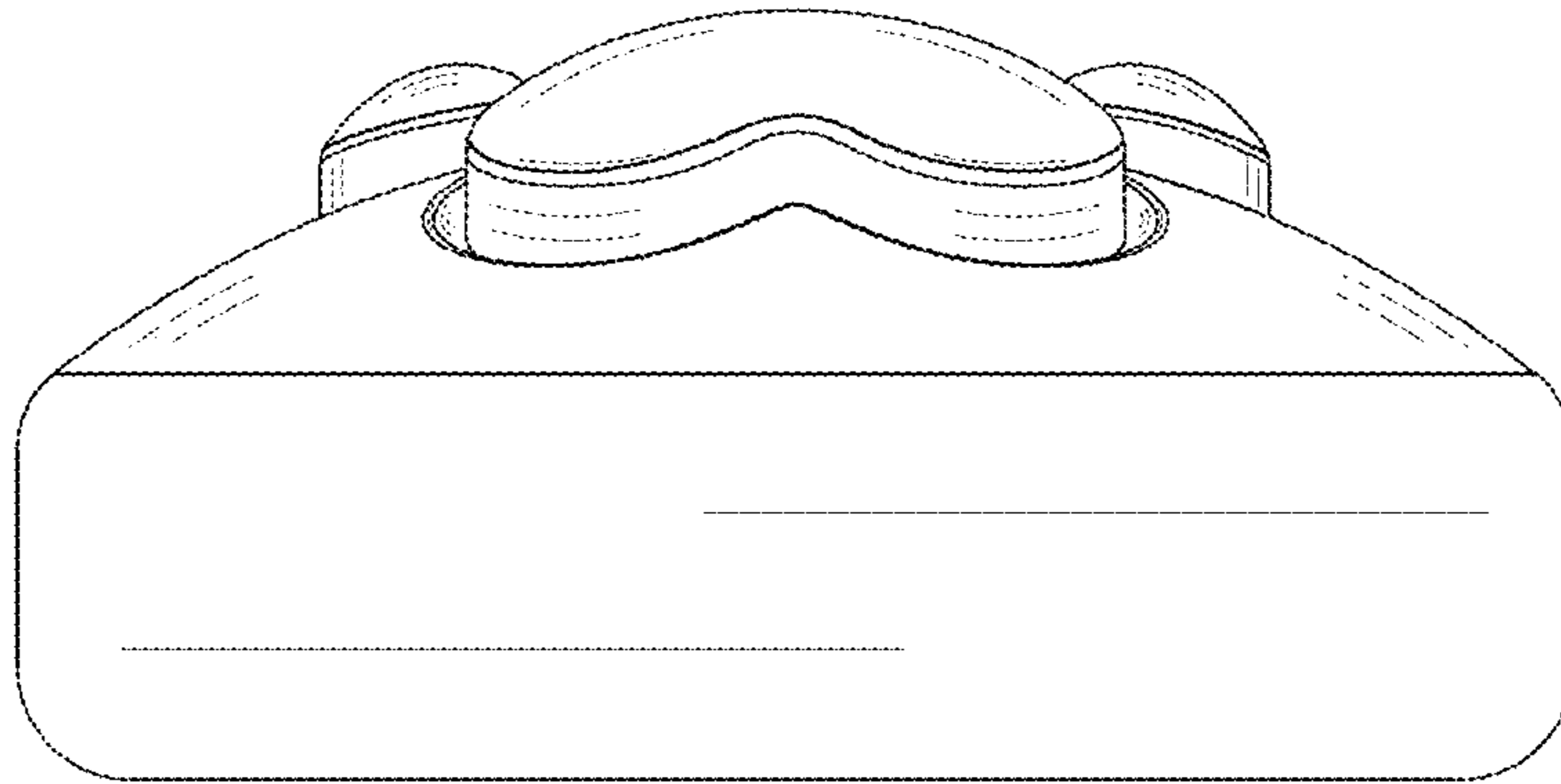


FIG. 6



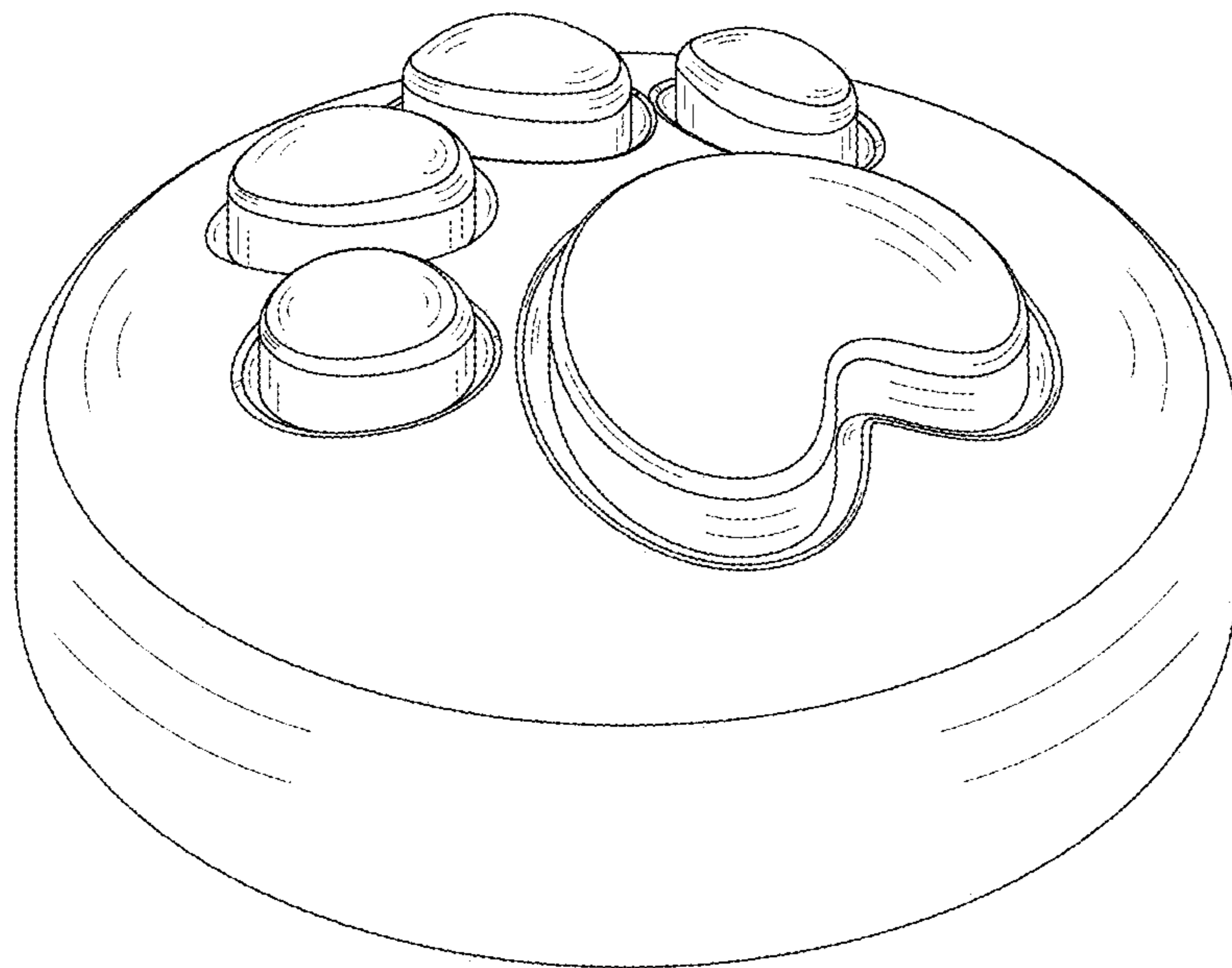


FIG. 7

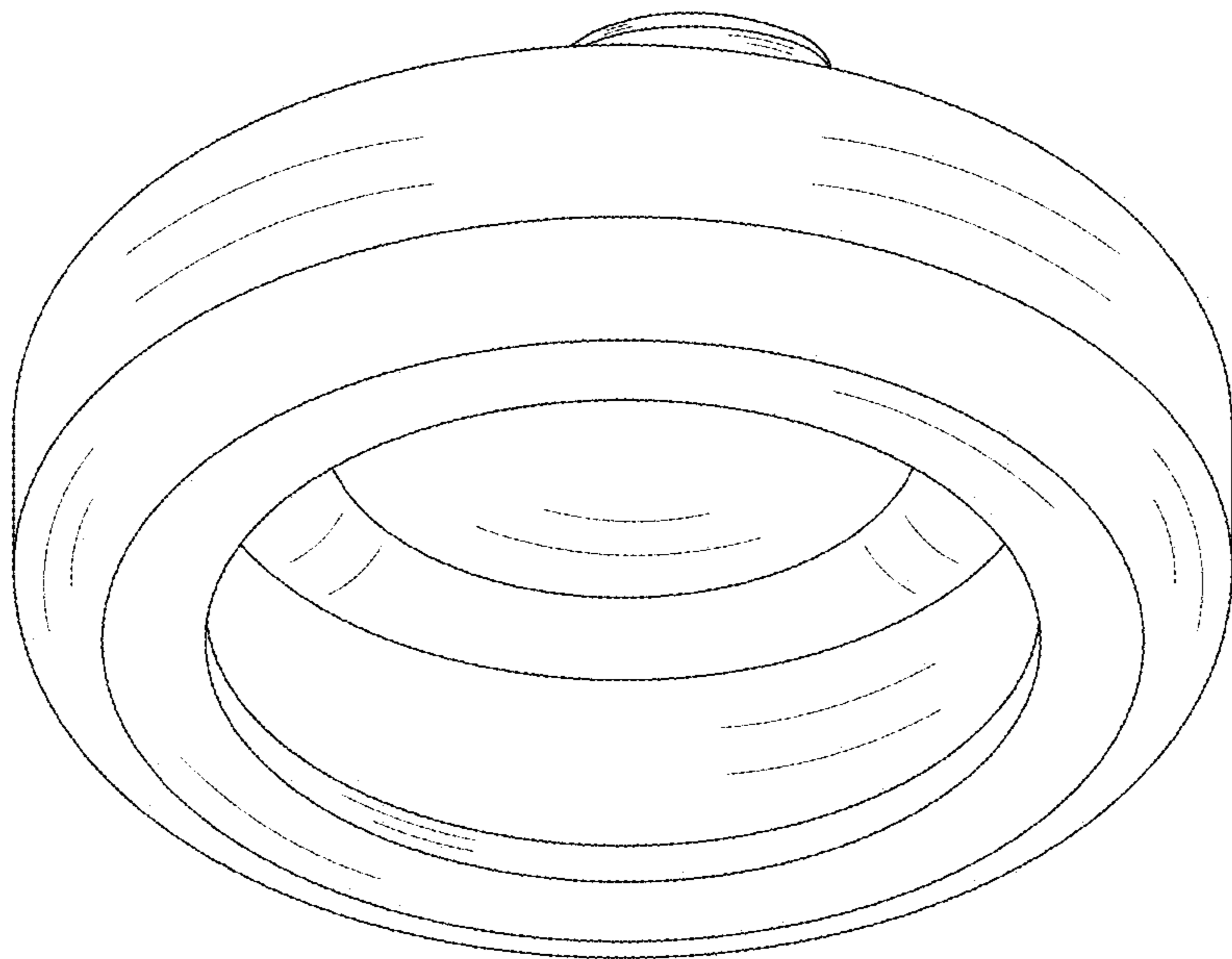


FIG. 8