



US00D975092S

(12) **United States Design Patent**
Tong

(10) **Patent No.:** **US D975,092 S**
(45) **Date of Patent:** **** Jan. 10, 2023**

(54) **KEYBOARD**

(71) Applicant: **RAZER (ASIA-PACIFIC) PTE. LTD.**,
Singapore (SG)

(72) Inventor: **Ien Yu Tong**, Johor (MY)

(73) Assignee: **Razer (Asia-Pacific) Pte. Ltd.**,
Singapore (SG)

(**) Term: **15 Years**

(21) Appl. No.: **29/676,851**

(22) Filed: **Jan. 15, 2019**

(51) **LOC (14) Cl.** **14-02**

(52) **U.S. Cl.**
USPC **D14/392**

(58) **Field of Classification Search**
USPC D14/247, 315–327, 331–333, 338,
D14/345–347, 387, 390–401, 406, 429,
(Continued)

(56) **References Cited**

U.S. PATENT DOCUMENTS

D314,205 S * 1/1991 Lang 400/489
D333,300 S * 2/1993 Hatcher D6/675.3
(Continued)

FOREIGN PATENT DOCUMENTS

CN 303032334 * 12/2014
CN 303520483 * 12/2015
(Continued)

OTHER PUBLICATIONS

Turret for Xbox One Keyboard, Razer, razer.com, author unlisted,
published on Aug. 4, 2020 per wayback machine © 2021 Razer,

Inc., online, site visited May 7, 2021. Available at URL: <https://www.razer.com/gaming-keyboards/Razer-Turret-for-Xbox-One/RZ84-02820200-B3U1> (Year: 2020).*

(Continued)

Primary Examiner — Holly E Thurman
Assistant Examiner — Altaira J Swangin

(74) *Attorney, Agent, or Firm* — Polsinelli PC

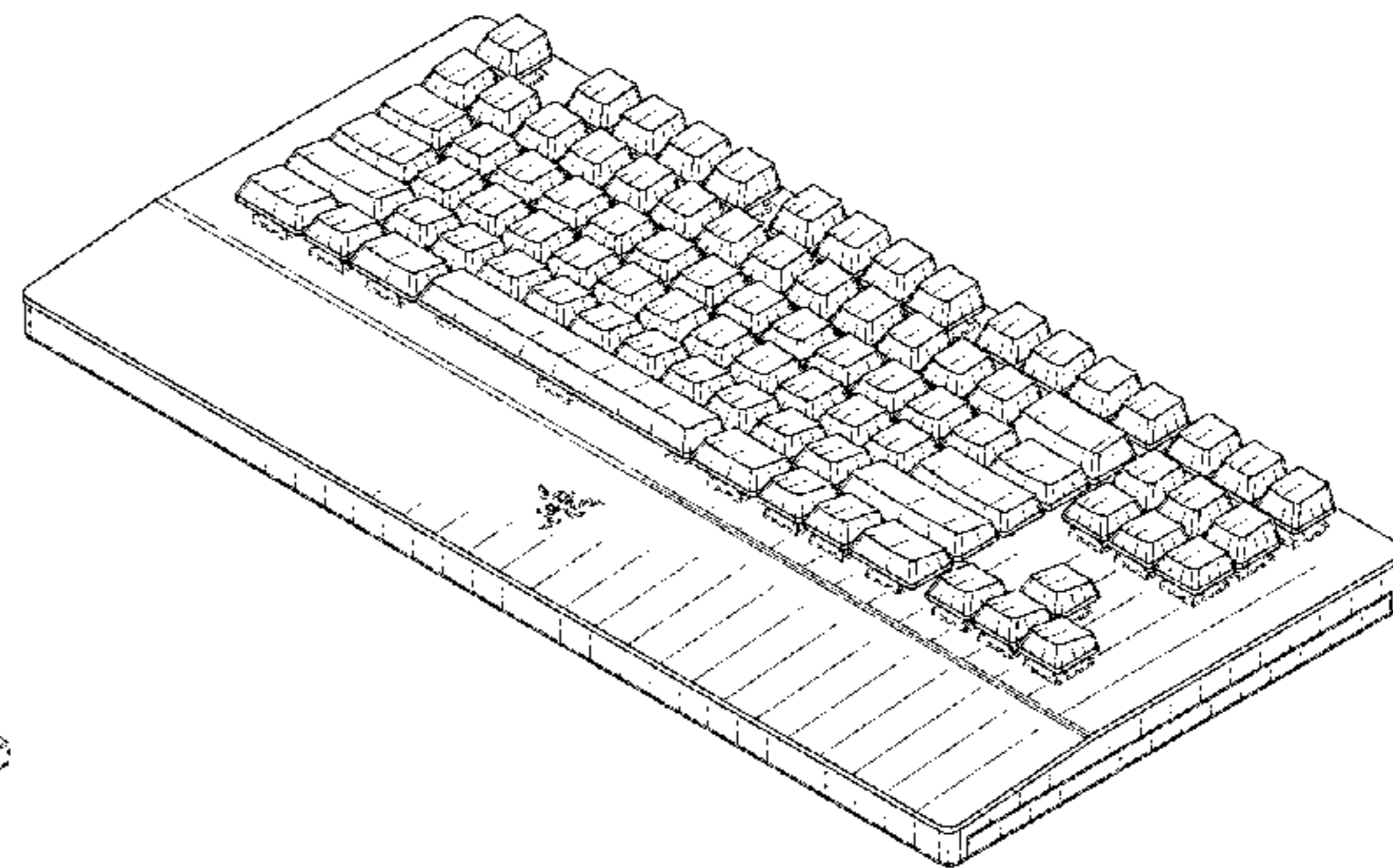
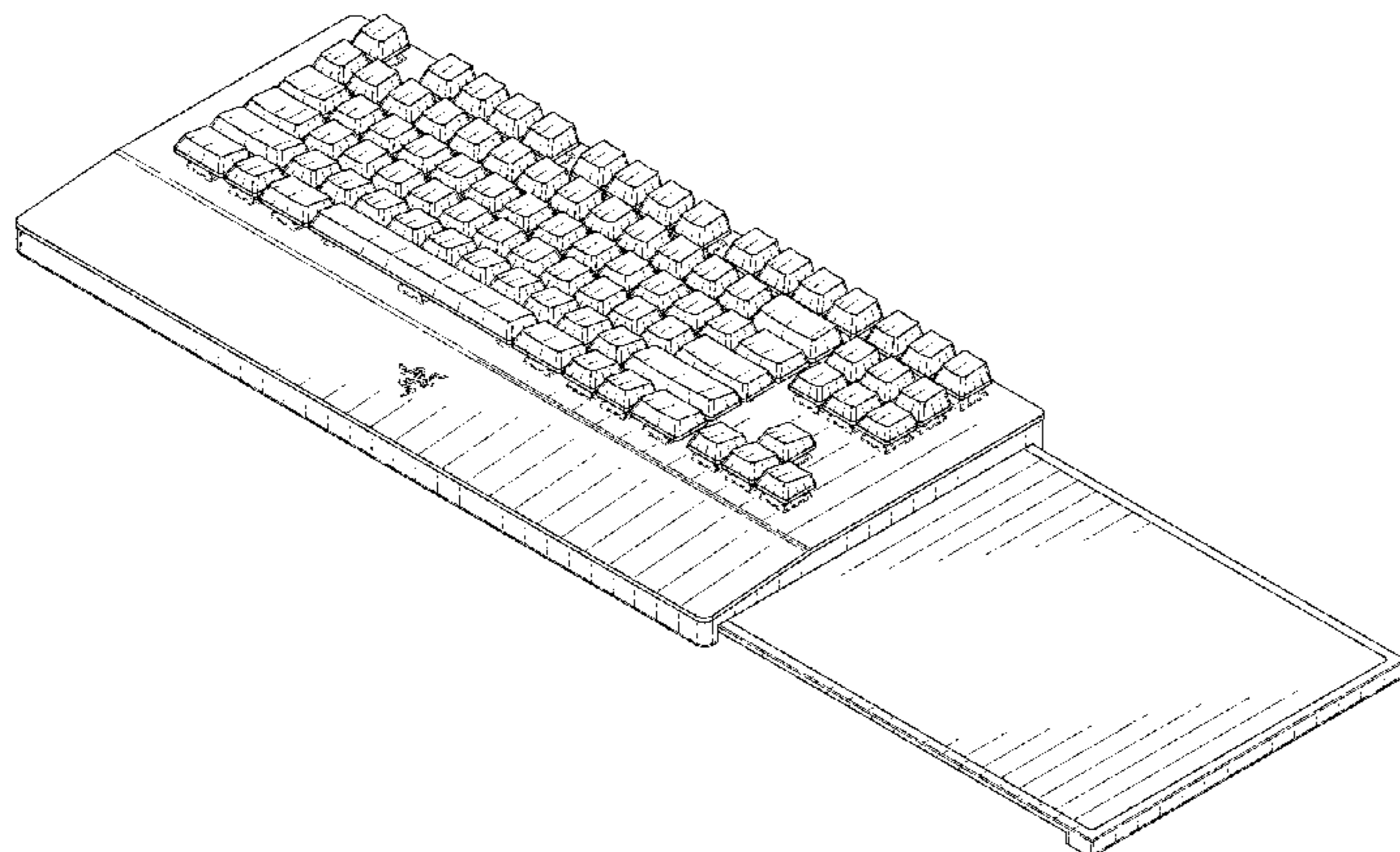
(57) **CLAIM**

I claim the ornamental design for a keyboard, as shown and described.

DESCRIPTION

FIG. 1 is a perspective view of a first embodiment of a keyboard, showing my new design;
FIG. 2 is a front elevational view thereof;
FIG. 3 is a rear elevational view thereof;
FIG. 4 is a right side elevational view thereof;
FIG. 5 is a left side elevational view thereof;
FIG. 6 is a top plan view thereof; and
FIG. 7 is a bottom plan view thereof.
FIG. 8 is a perspective view of a second embodiment of a keyboard;
FIG. 9 is a front elevational view thereof;
FIG. 10 is a rear elevational view thereof;
FIG. 11 is a right side elevational view thereof;
FIG. 12 is a left side elevational view thereof;
FIG. 13 is a top plan view thereof; and
FIG. 14 is a bottom plan view thereof.
FIG. 15 is a perspective view of a third embodiment of a keyboard in a first configuration, showing the integrated mouse pad in a fully extended position;
FIG. 16 is a perspective view thereof in a second configuration, showing the integrated mouse pad in a partially retracted position; and,
FIG. 17 is a perspective view thereof in a third configuration, showing the integrated mouse pad in a fully retracted position.
Broken lines are for illustrating portions of the keyboard which form no part of the claimed design.

1 Claim, 11 Drawing Sheets



(58) **Field of Classification Search**

USPC D14/455–457, 460–461; D18/1–2,
D18/4.1–4.6, 7, 11, 12.2, 52; D21/324,
D21/409; D13/102
CPC B41J 5/00; B41J 5/10; B41J 5/12; G06F
3/021; G06F 3/0216; G06F 3/0219; G06F
3/02

See application file for complete search history.

(56) **References Cited**

U.S. PATENT DOCUMENTS

5,433,407 A * 7/1995 Rice A47B 21/0371
248/118.1
D364,290 S 11/1995 Watts
D380,462 S * 7/1997 Wilson D14/458
5,655,743 A 8/1997 Gillis
D392,955 S 3/1998 Wilson
D398,294 S * 9/1998 Wilson D14/458
5,901,934 A 5/1999 Wilson
6,003,446 A 12/1999 Leibowitz
D423,482 S * 4/2000 Eddins D14/458
6,234,085 B1 5/2001 Ramundo
D451,100 S 11/2001 Brillhart et al.
6,396,483 B1 5/2002 Hiller
6,798,399 B2 * 9/2004 Hatanaka G06F 3/0395
400/714
D579,450 S 10/2008 Ozolins et al.
D630,452 S 1/2011 Robbins et al.
8,310,823 B2 * 11/2012 Stoltz G06F 1/169
361/679.16
D695,740 S * 12/2013 Yakel D14/392
D720,749 S * 1/2015 He D14/392
D740,824 S * 10/2015 Zou D14/392
D748,633 S * 2/2016 Yang D14/392
D758,377 S * 6/2016 Warren D14/457
D760,227 S * 6/2016 Warren D14/392
D778,281 S * 2/2017 Rodrigues D14/392
D807,885 S * 1/2018 Pang D14/392
D811,399 S * 2/2018 Ca D14/396
D830,360 S * 10/2018 Jin D14/392
D881,190 S * 4/2020 Tong D14/392
D882,571 S * 4/2020 Tong D14/392
D890,755 S * 7/2020 Tong D14/392
10,884,516 B2 * 1/2021 Grey G06F 3/03547
D928,785 S * 8/2021 Tong D14/392
D934,248 S * 10/2021 Tong D14/392
D951,942 S * 5/2022 Tong D14/392
2008/0252605 A1 * 10/2008 Muyskens G06F 3/0238
345/172
2009/0002320 A1 * 1/2009 Karmazyn G06F 3/0221
345/168

2009/0115732 A1 * 5/2009 Tao G06F 3/021
345/168
2010/0127143 A1 * 5/2010 Karmazyn A47B 21/0314
248/224.8
2014/0368455 A1 * 12/2014 Croissonnier G06F 3/045
345/173
2015/0029404 A1 * 1/2015 Lin H04N 21/42212
348/734
2015/0253815 A1 * 9/2015 Hosoya G06F 3/0227
361/679.1
2018/0132365 A1 * 5/2018 Vroom G06F 3/0213
2019/0227645 A1 * 7/2019 Grey G06F 3/038
2020/0348763 A1 * 11/2020 Jian G06F 3/165
2021/0055639 A1 * 2/2021 Jiang H01H 13/86

FOREIGN PATENT DOCUMENTS

CN 304737200 * 7/2018
CN 305427165 * 11/2019
CN 305433661 * 11/2019
CN 305973319 8/2020
CN 306824814 9/2021
GB 6121980 3/2021
GB 6122000 3/2021
KR 300621669.0000 * 11/2011
KR 300660579.0000 * 9/2012

OTHER PUBLICATIONS

Ergonomic Tray, AFC Industries, afcindustries.com, published by AFC on Oct. 6, 2014 per wayback machine ©2021 afcindustries.com, online, site visited Sep. 1, 2021. Available at URL: <https://www.afcindustries.com/stylish-keyboard-tray-with-retractable-mouse-tray-p86> (Year: 2014).
BlackWidow V3 Tenkeyless & Ergonomic Wrist Rest Keyboard, Razer, razer.com, author unlisted, published on Oct. 15, 2021 per wayback machine © 2021 Razer, Inc., online, site visited Nov. 23, 2021. Available at URL: <https://www.razer.com/gaming/keyboards/accessories/razer-ergonomic-wrist-rest-pro> (Year: 2021).
Turret Wireless Mechanical Gaming Keyboard, Razer, amazon.com, published by Razer, first available on Jun. 19, 2019 © 1996-2021 Amazon.com, Inc., online, site visited Nov. 23, 2021. Available at URL: <https://www.amazon.com/Razer-Turret-Wireless-Mechanical-Keyboard/dp/B07OXLC24V> (Year: 2019).
Lapdog Gaming Control Center, Corsair, techspot.com, published by Steven Walton on May 25, 2016 © 2021 TechSpot, Inc., online, site visited Nov. 23, 2021. Available at URL: <https://www.techspot.com/review/1178-corsair-lapdog/> (Year: 2016).

* cited by examiner

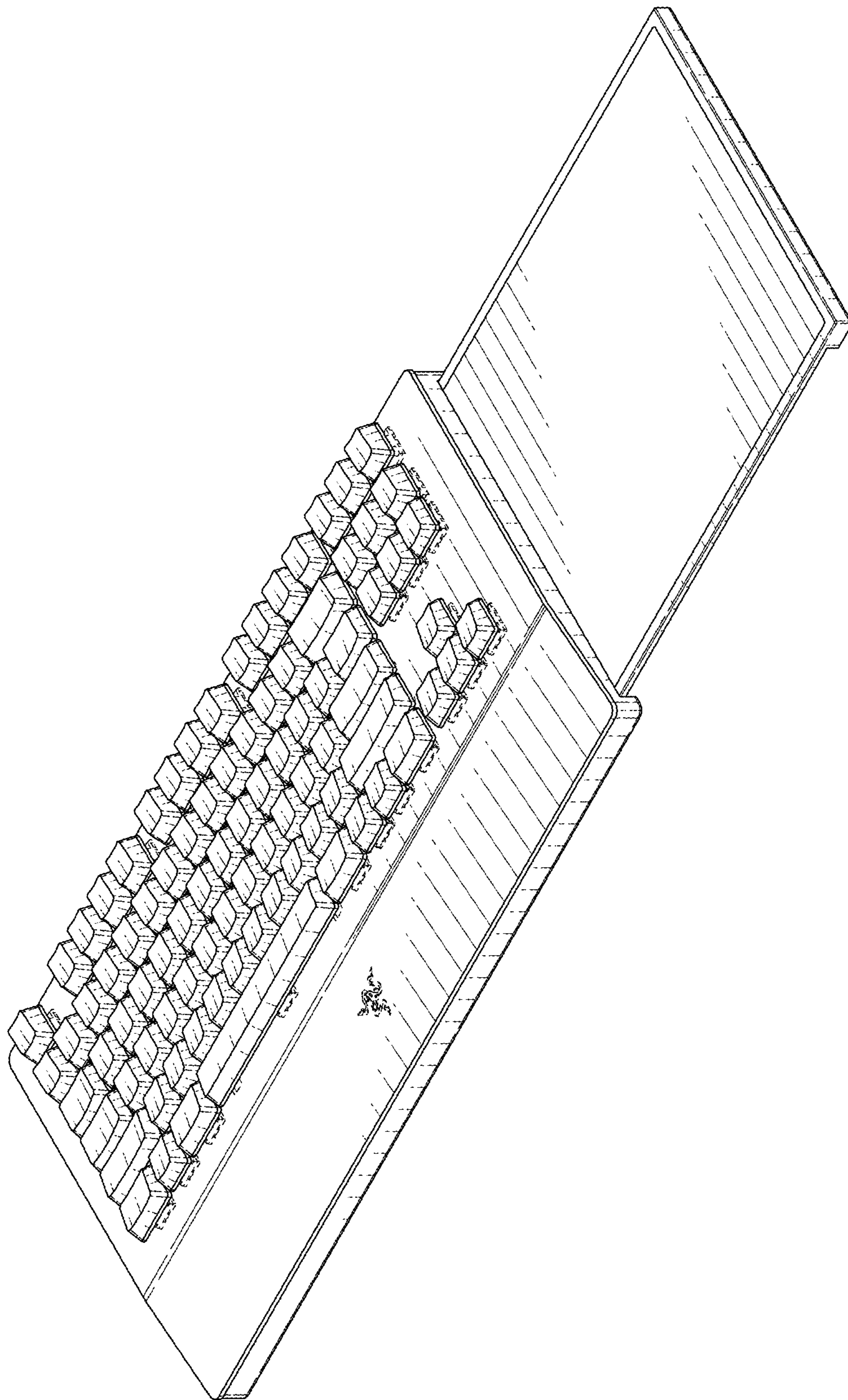


FIG. 1

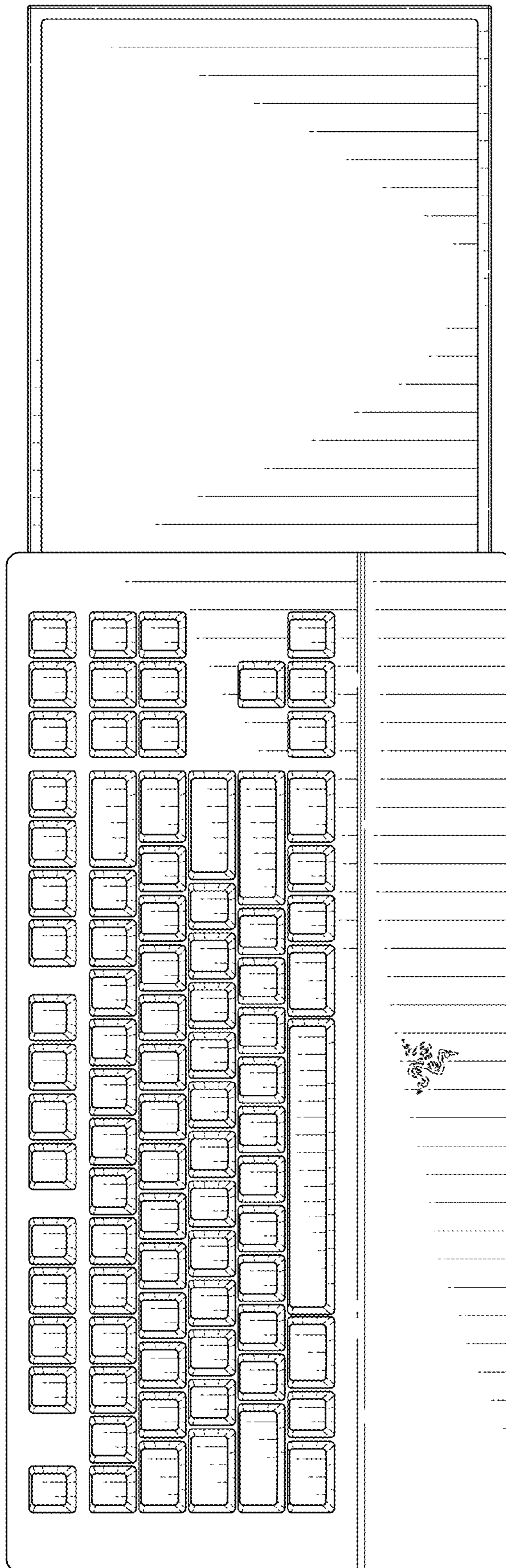


FIG. 2

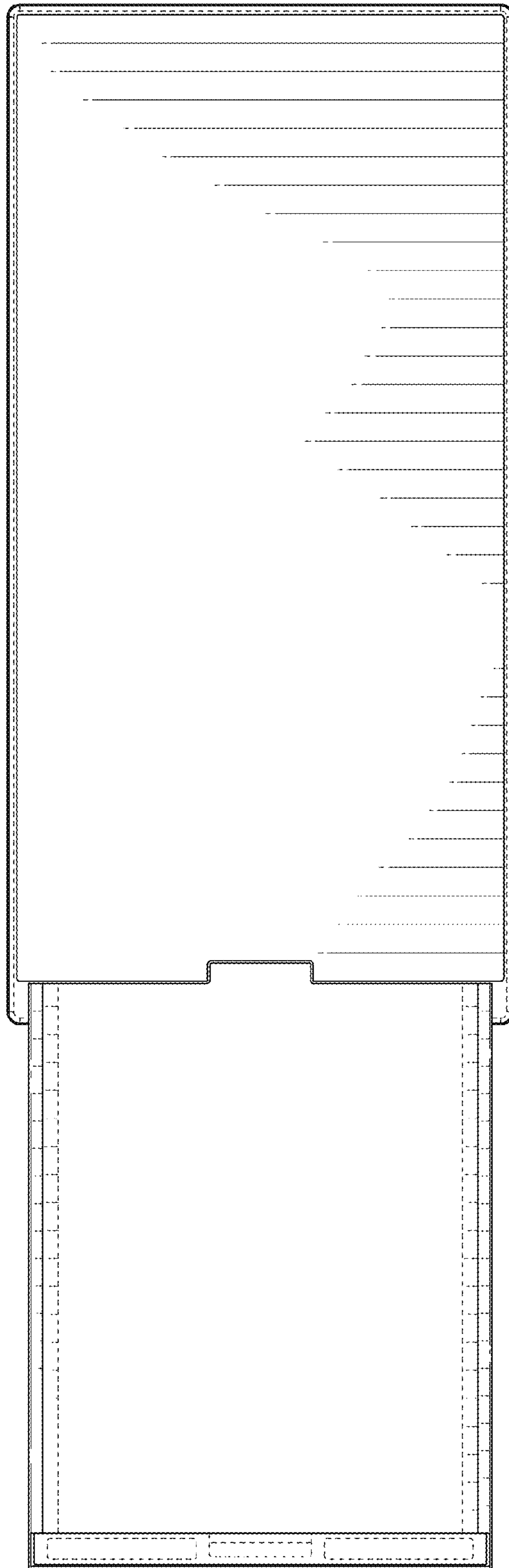


FIG. 3

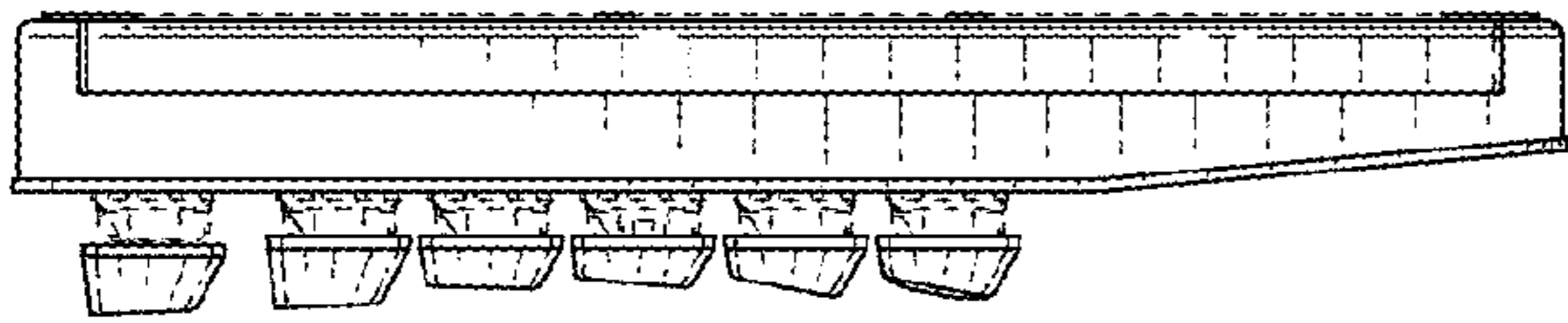


FIG. 4

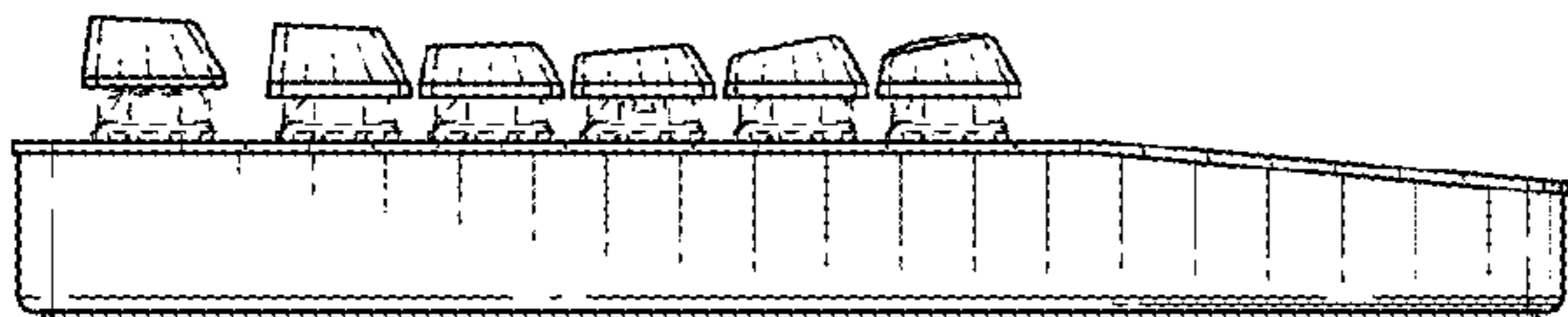


FIG. 5

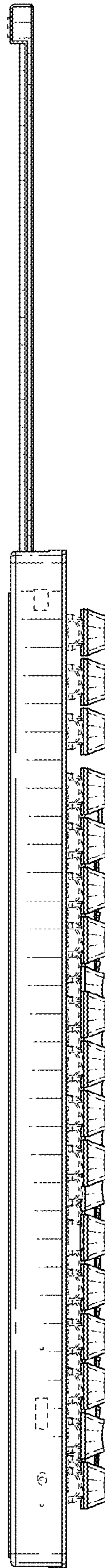


FIG. 6

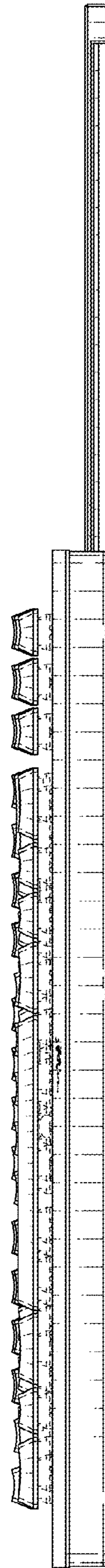


FIG. 7

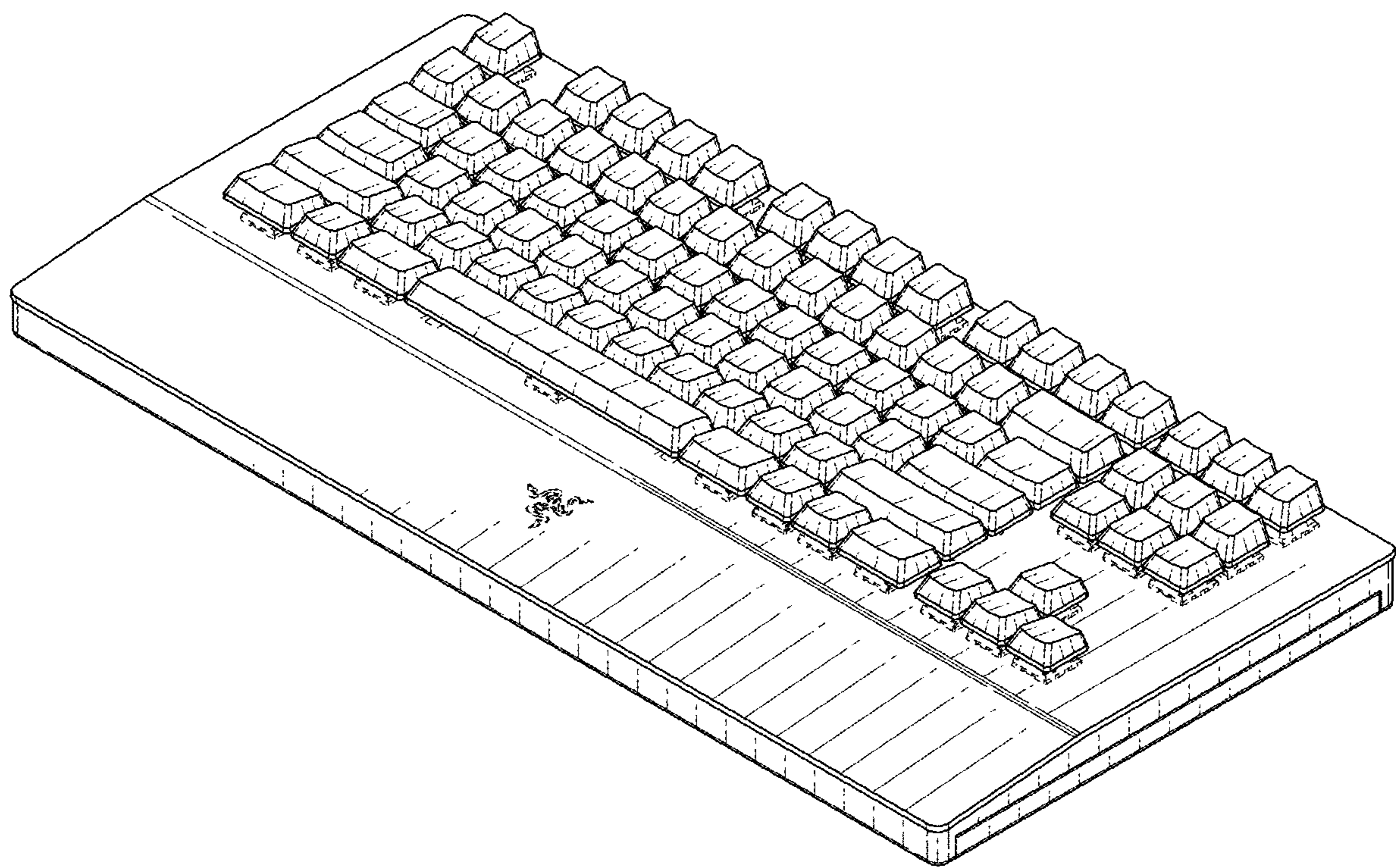


FIG. 8

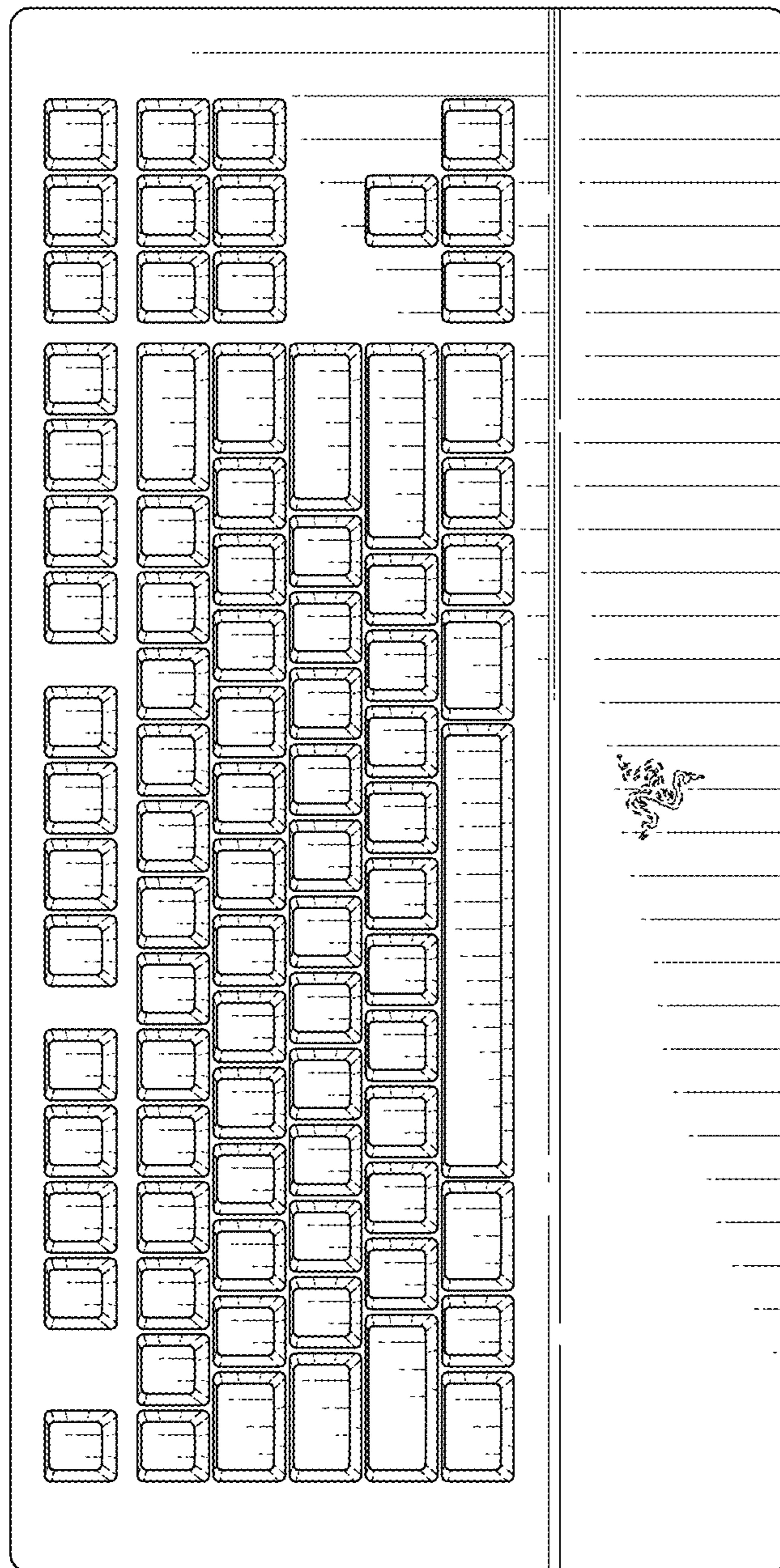


FIG. 9

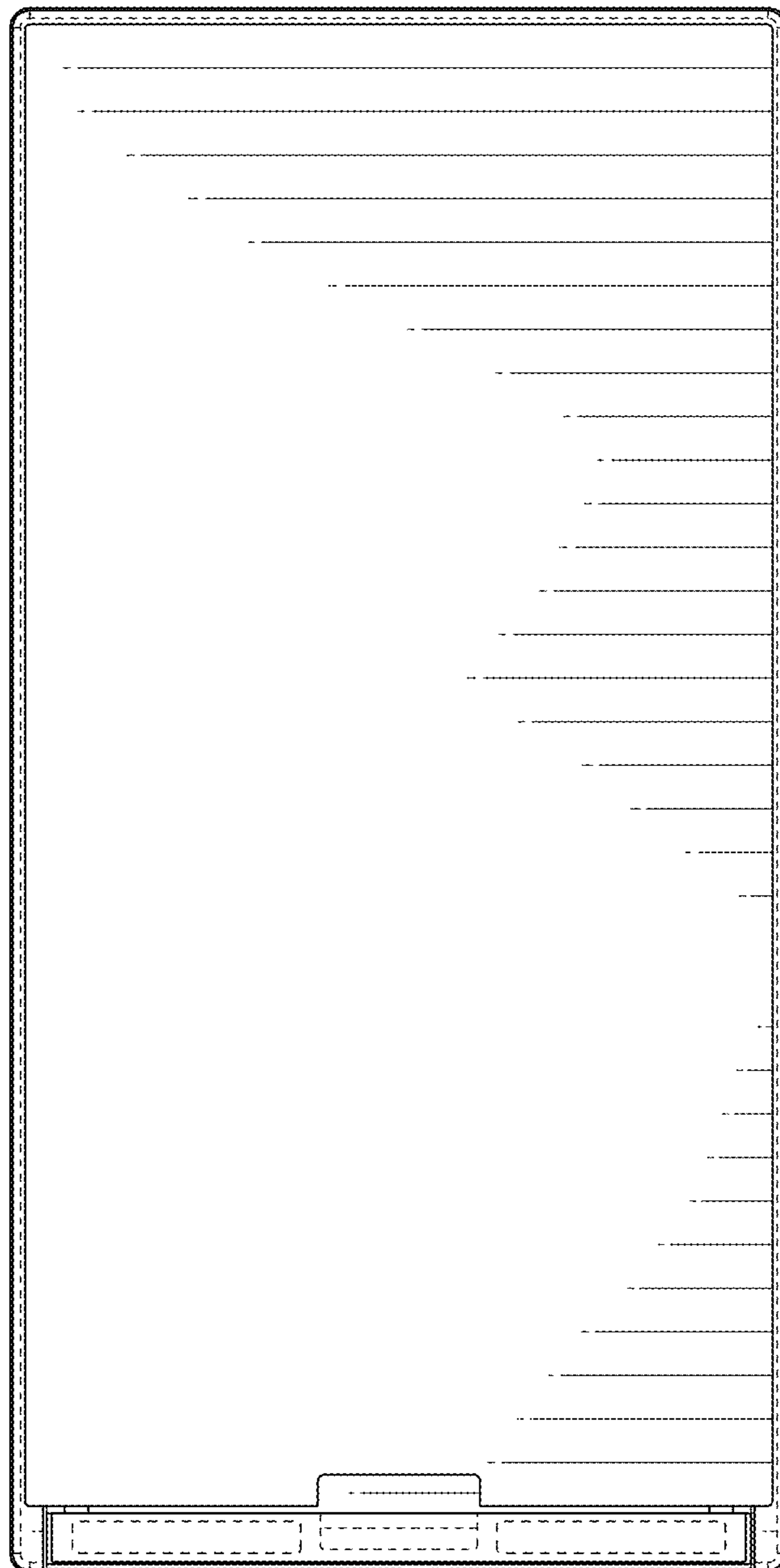


FIG. 10

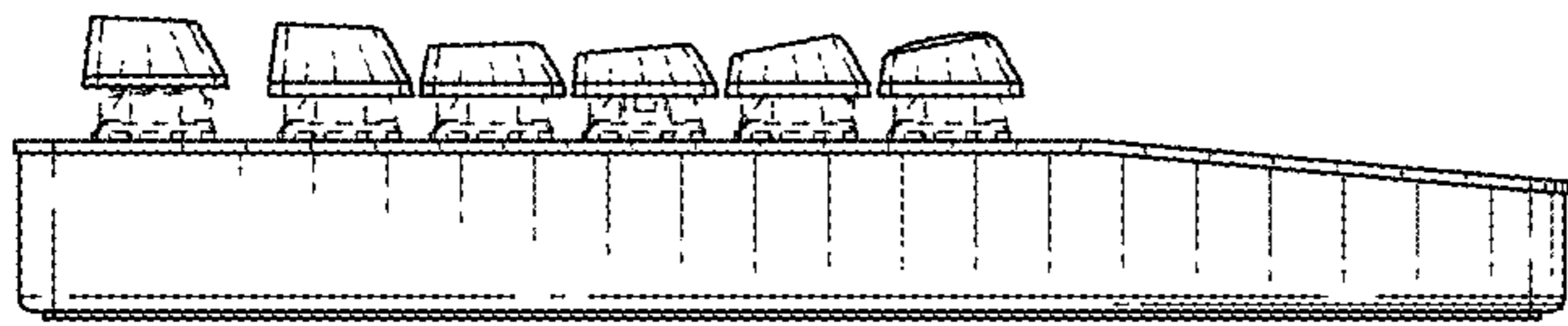


FIG. 11

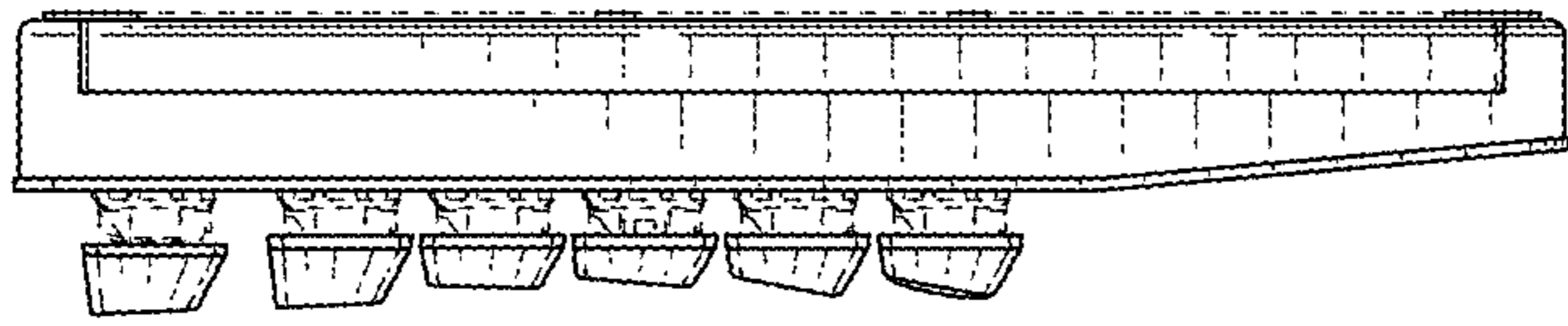


FIG. 12

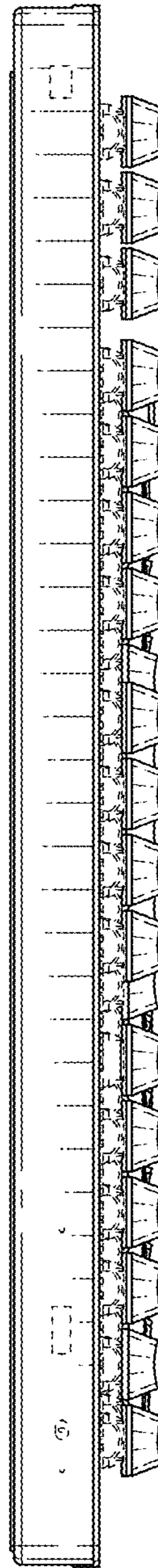


FIG. 13

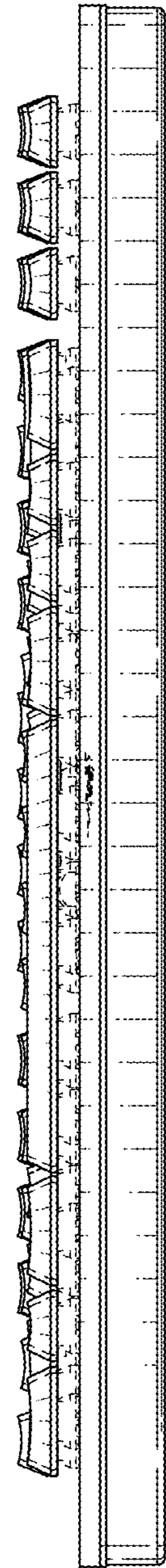


FIG. 14

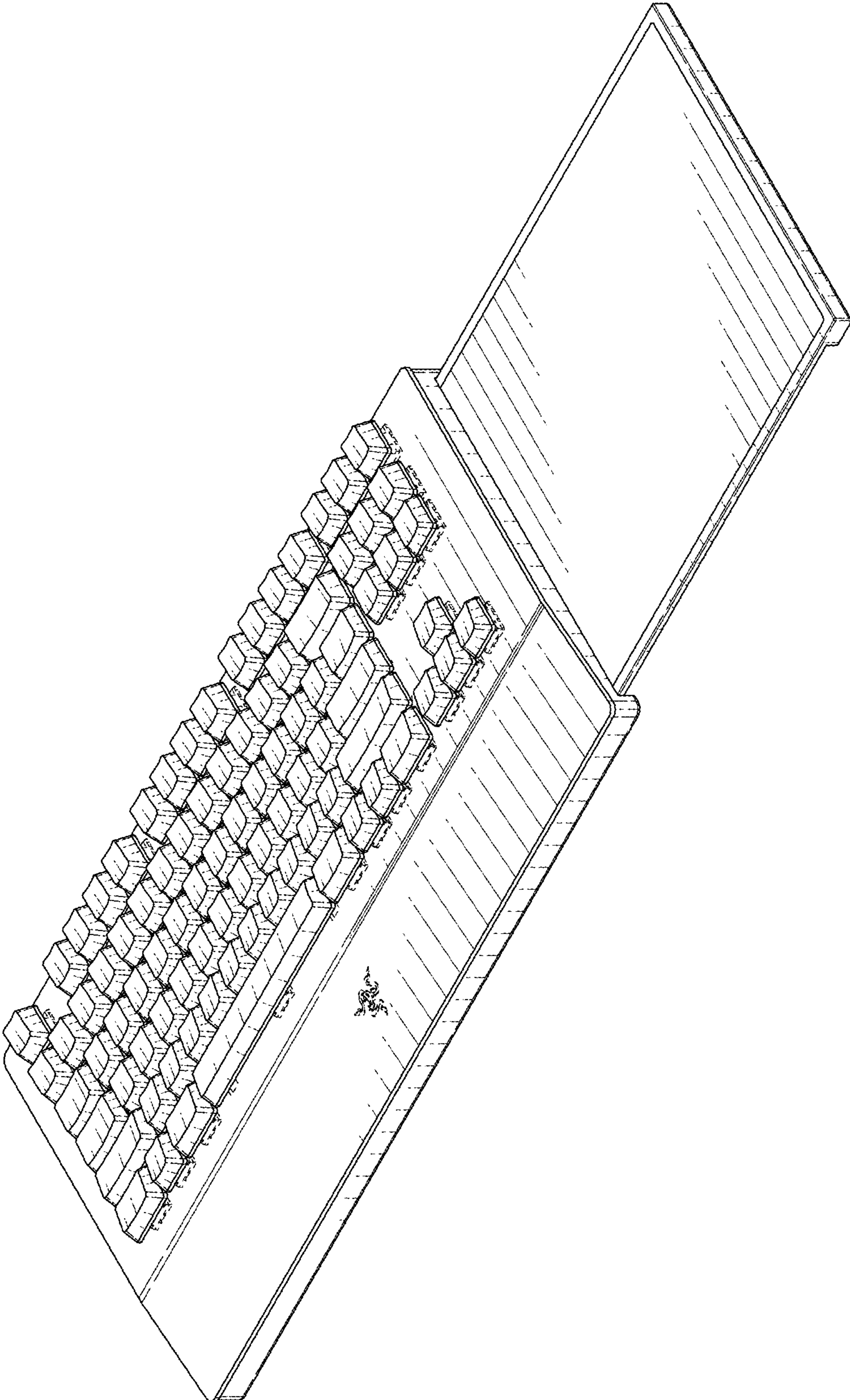


FIG. 15

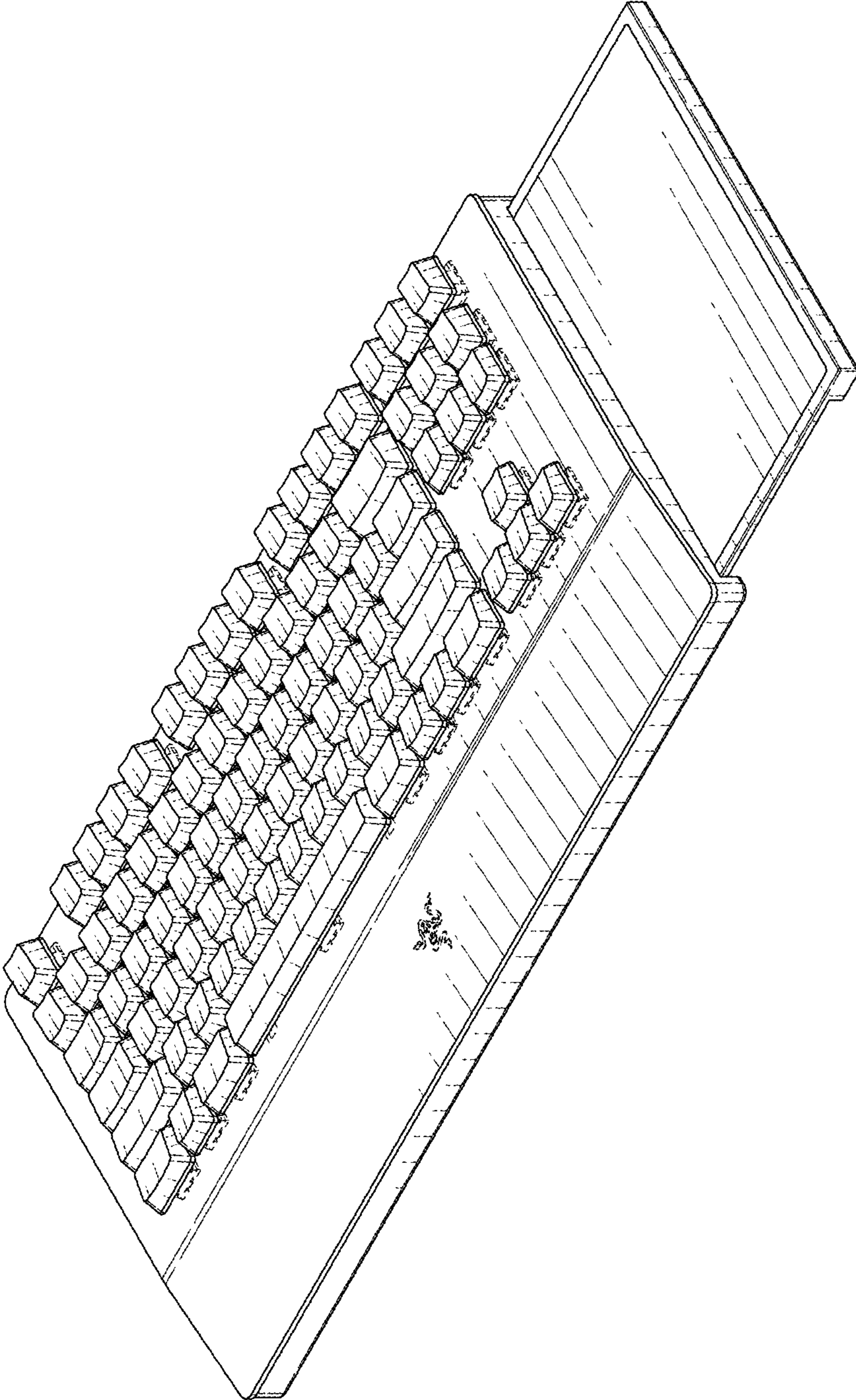


FIG. 16

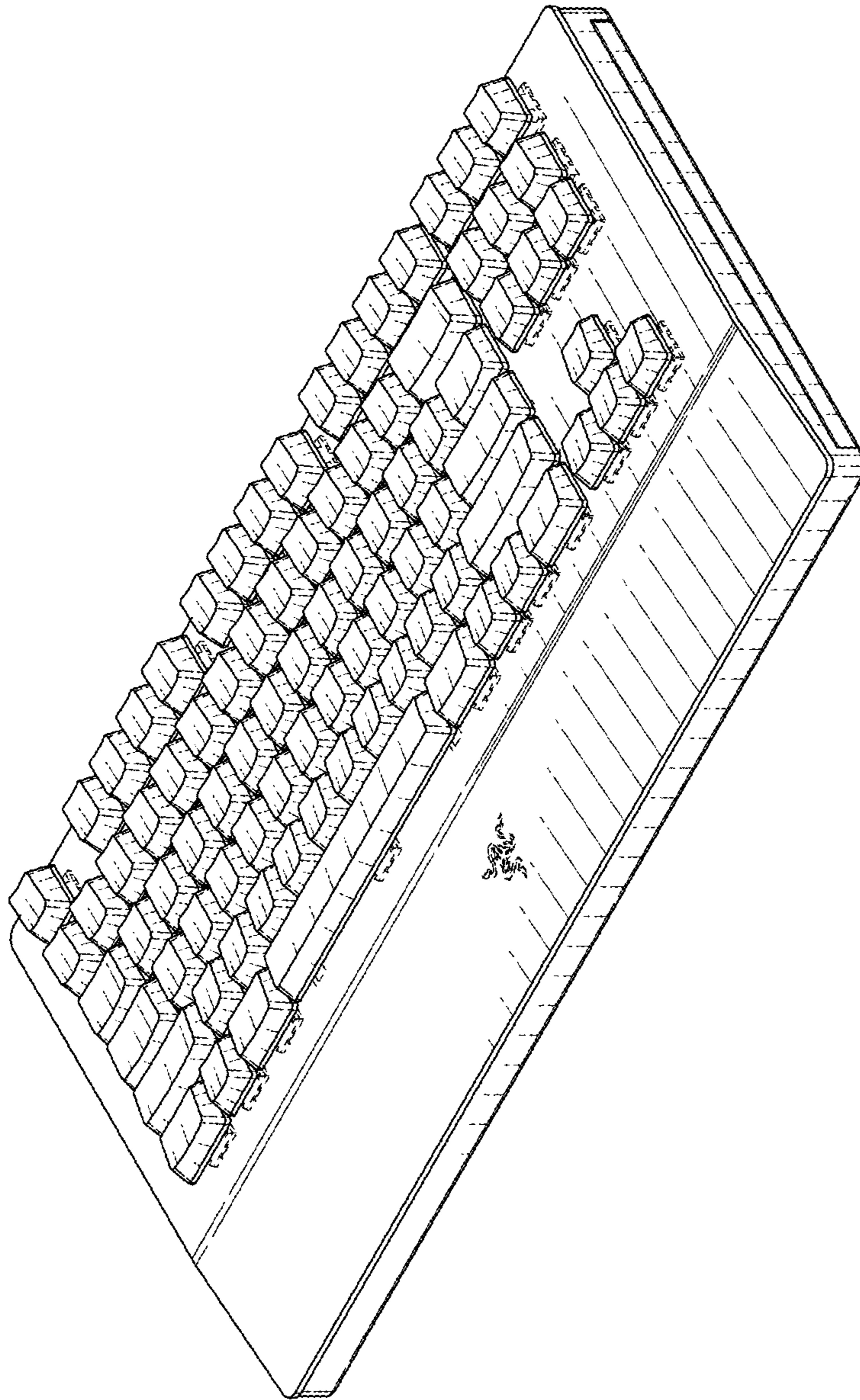


FIG. 17