



US00D975091S

(12) **United States Design Patent**  
**Lu**

(10) **Patent No.:** **US D975,091 S**  
(45) **Date of Patent:** **\*\* Jan. 10, 2023**

(54) **PORTABLE MONITOR**

FOREIGN PATENT DOCUMENTS

(71) Applicant: **Shenzhen G-world Technology**  
**Incorporated Company**, Guangdong  
(CN)

CN 306579432 \* 6/2021  
EM 008677710-0001 \* 9/2021

(Continued)

(72) Inventor: **Yi Lu**, Guangdong (CN)

OTHER PUBLICATIONS

(73) Assignee: **Shenzhen G-world Technology**  
**Incorporated Company**, Guangdong  
(CN)

Portable Monitor for Laptop, AYY, amazon.com, published by AYY, first available on May 20, 2021 © 1996-2022 Amazon.com, Inc., online, site visited Jul. 22, 2022. Available at URL: <https://www.amazon.com/16-1-Portable-Monitor-AYY-Computer/dp/B094QFTKRF> (Year: 2021).\*

(\*\*) Term: **15 Years**

*Primary Examiner* — Holly E Thurman

*Assistant Examiner* — Altaira J Swangin

(21) Appl. No.: **29/807,434**

(74) *Attorney, Agent, or Firm* — True Shepherd, LLC;  
Andrew Cheng

(22) Filed: **Sep. 10, 2021**

(57) **CLAIM**

The ornamental design for a portable monitor, as shown and described.

(51) **LOC (14) Cl.** ..... **14-02**

(52) **U.S. Cl.**  
USPC ..... **D14/376**

**DESCRIPTION**

(58) **Field of Classification Search**  
USPC ..... D14/126, 305, 307, 335–337, 339–340,  
D14/371–372, 374–386, 448, 451–452;  
D24/160, 186; D20/20, 42; D6/300, 310  
CPC ... H05K 5/0217; H05K 5/0204; G06F 1/1601  
See application file for complete search history.

FIG. 1 is a front, right, and top perspective view of a portable monitor, showing my design.  
FIG. 2 is a rear, left, and bottom perspective view thereof.  
FIG. 3 is a front elevation view thereof.  
FIG. 4 is a rear elevation view thereof.  
FIG. 5 is a left side elevation view thereof.  
FIG. 6 is a right side elevation view thereof.  
FIG. 7 is a top plan view thereof.  
FIG. 8 is a bottom plan view thereof.  
FIG. 9 is a partial enlarged view of an area labeled 9 in FIG. 8 comprising a support element; and,  
FIG. 10 is a partial enlarged view of an area labeled 10 in FIG. 8 comprising a support element.  
The even-dash broken lines in the drawings depict portions of the portable monitor that form no part of the claimed design. The dash-dot broken lines in FIGS. 8-10 depict the area of the enlarged views and form no part thereof.

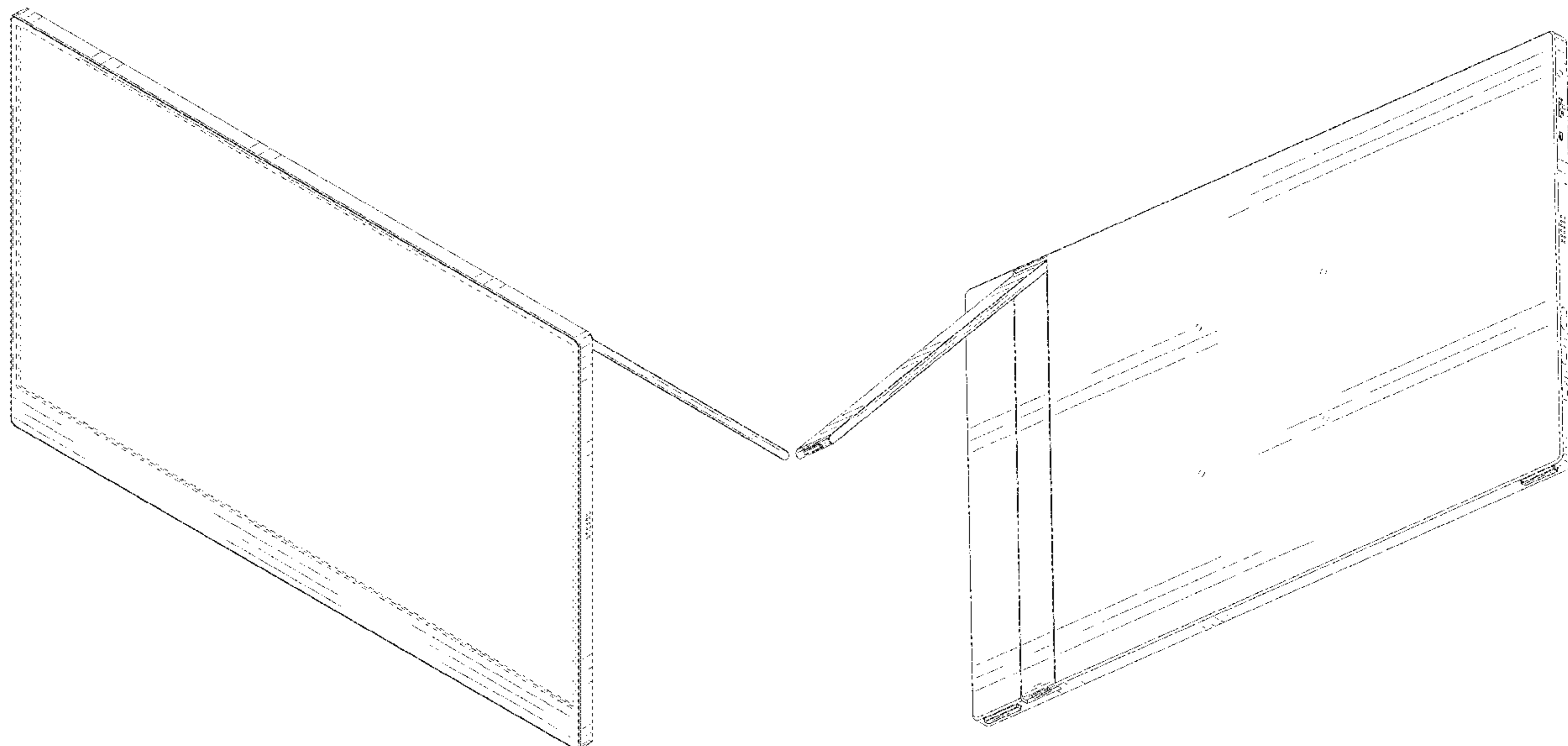
(56) **References Cited**

U.S. PATENT DOCUMENTS

D609,661 S \* 2/2010 VanDuyn ..... D14/126  
D610,355 S \* 2/2010 Chigira ..... D14/374  
D625,929 S \* 10/2010 Mitchell ..... D14/371  
D709,045 S \* 7/2014 Itou ..... D14/126  
D715,244 S \* 10/2014 Jang ..... D14/126  
D746,242 S \* 12/2015 Matsumoto ..... D14/126  
D799,440 S \* 10/2017 Kim ..... D14/126  
D812,027 S \* 3/2018 Debaigue ..... D14/126

(Continued)

**1 Claim, 10 Drawing Sheets**



(56)

**References Cited**

U.S. PATENT DOCUMENTS

D823,271 S \* 7/2018 Shen ..... D14/126  
 D834,429 S \* 11/2018 Jiang ..... D10/3  
 D845,263 S \* 4/2019 Kim ..... D14/126  
 D848,965 S \* 5/2019 Kim ..... D14/126  
 D860,195 S 9/2019 Lee  
 D862,250 S \* 10/2019 Xie ..... D10/24  
 D862,909 S \* 10/2019 Zhou ..... D14/371  
 D891,124 S \* 7/2020 Zhou ..... D6/310  
 D898,737 S \* 10/2020 Chen ..... D14/341  
 D900,761 S 11/2020 Bae  
 D905,974 S \* 12/2020 Chen ..... D14/341  
 10,980,397 B1 \* 4/2021 Ubbesen ..... G06F 1/1601  
 D950,550 S \* 5/2022 Xu ..... D14/345  
 D950,551 S \* 5/2022 Chen ..... D14/375  
 D955,385 S \* 6/2022 Zhou ..... D14/371  
 2013/0342976 A1 \* 12/2013 Chung ..... G06F 1/166  
 248/688  
 2018/0012541 A1 \* 1/2018 Lin ..... G06F 3/147

FOREIGN PATENT DOCUMENTS

GB 6160748 \* 9/2021  
 JP D1698654 \* 11/2021  
 KR 301033296.0000 \* 11/2019  
 KR 301042849.0000 \* 1/2020

\* cited by examiner

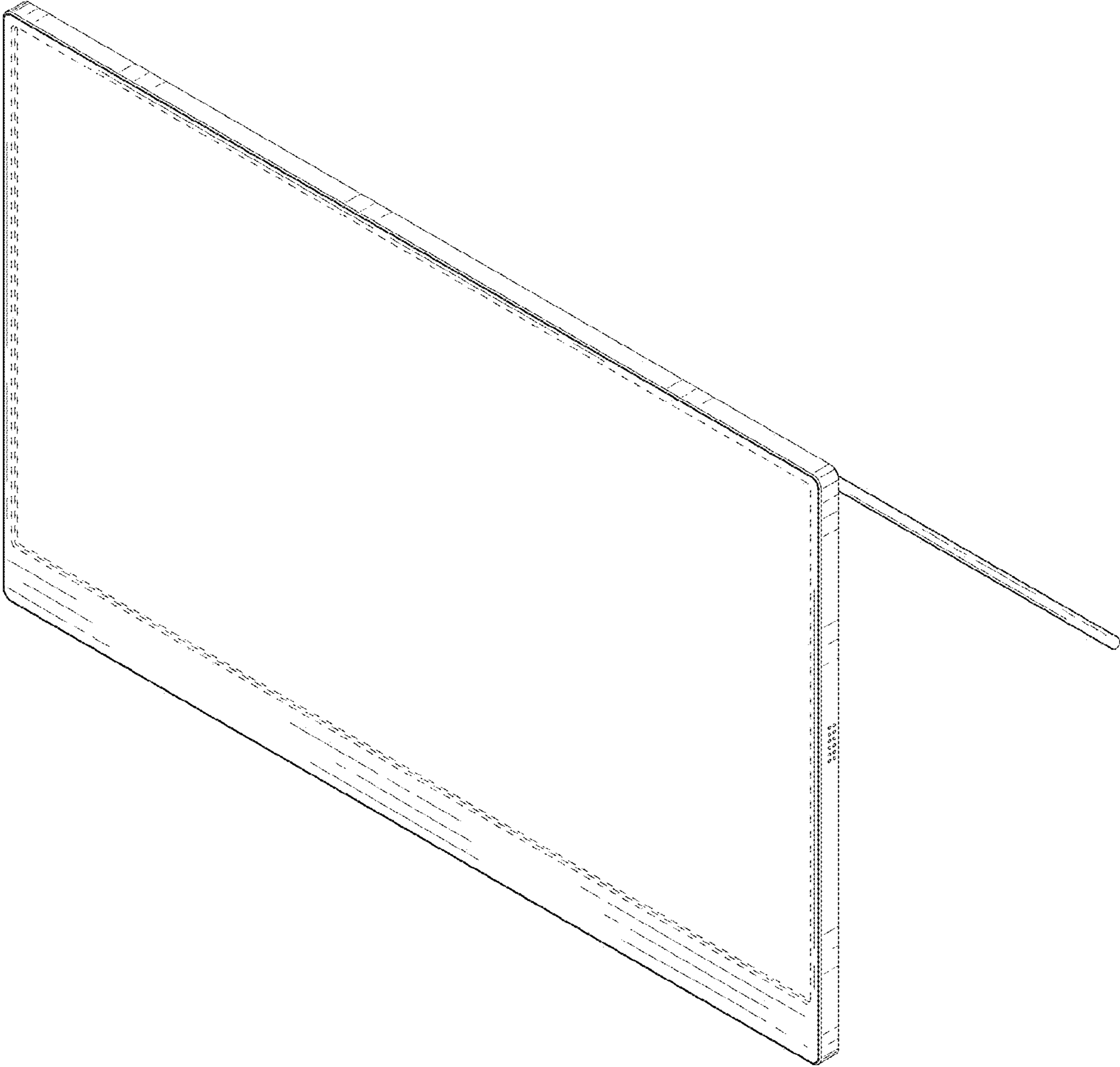


FIG. 1

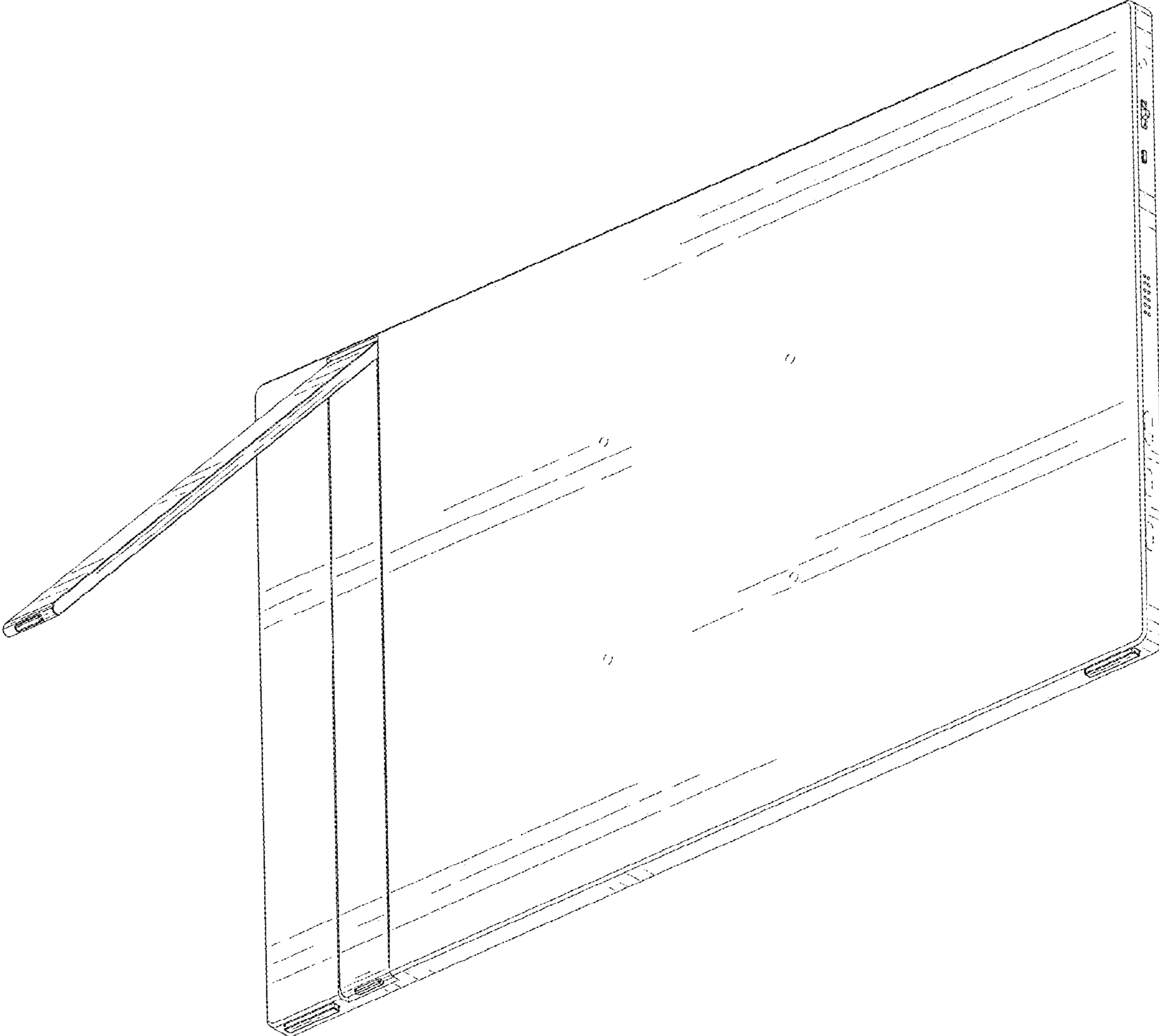


FIG. 2

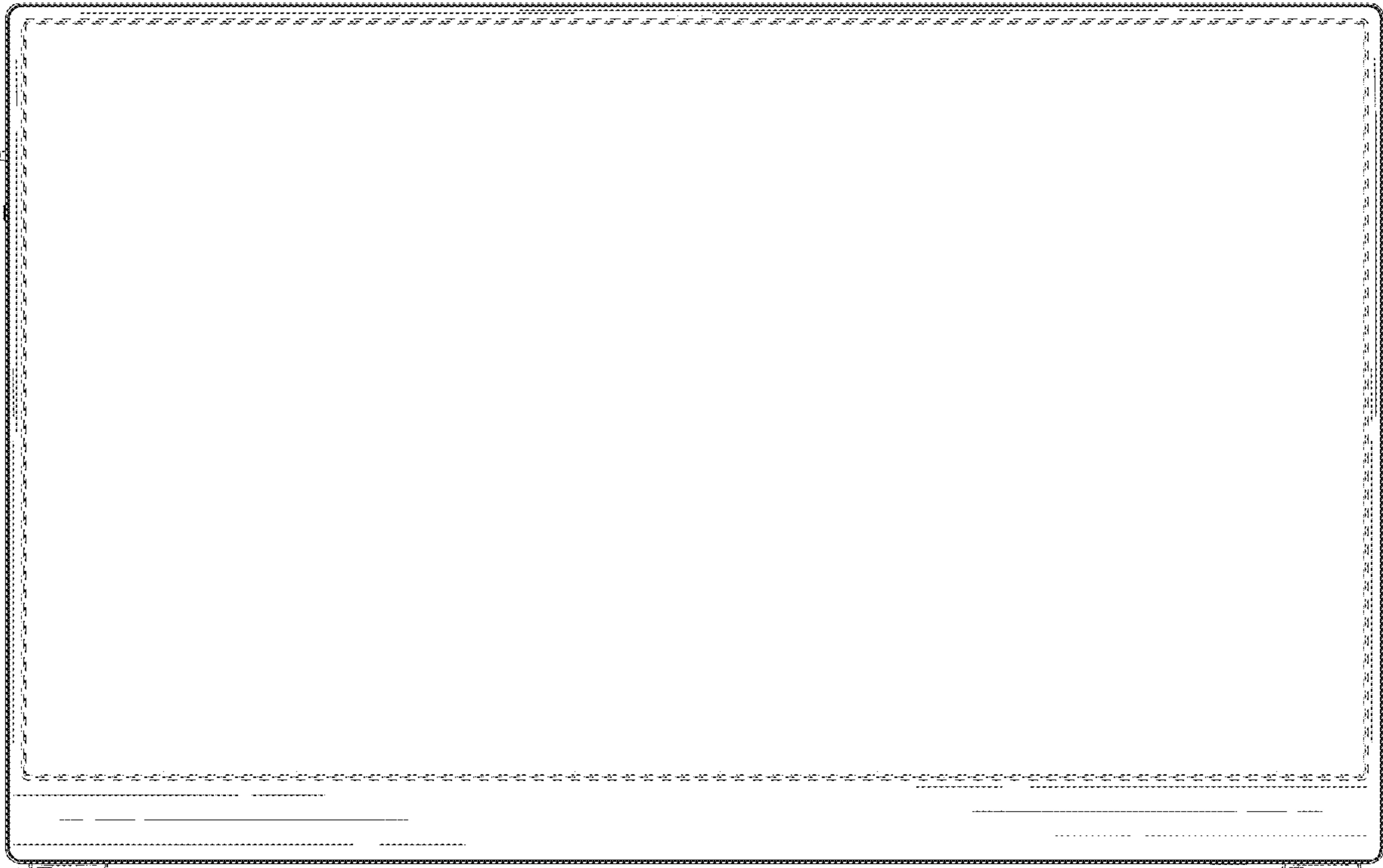


FIG. 3

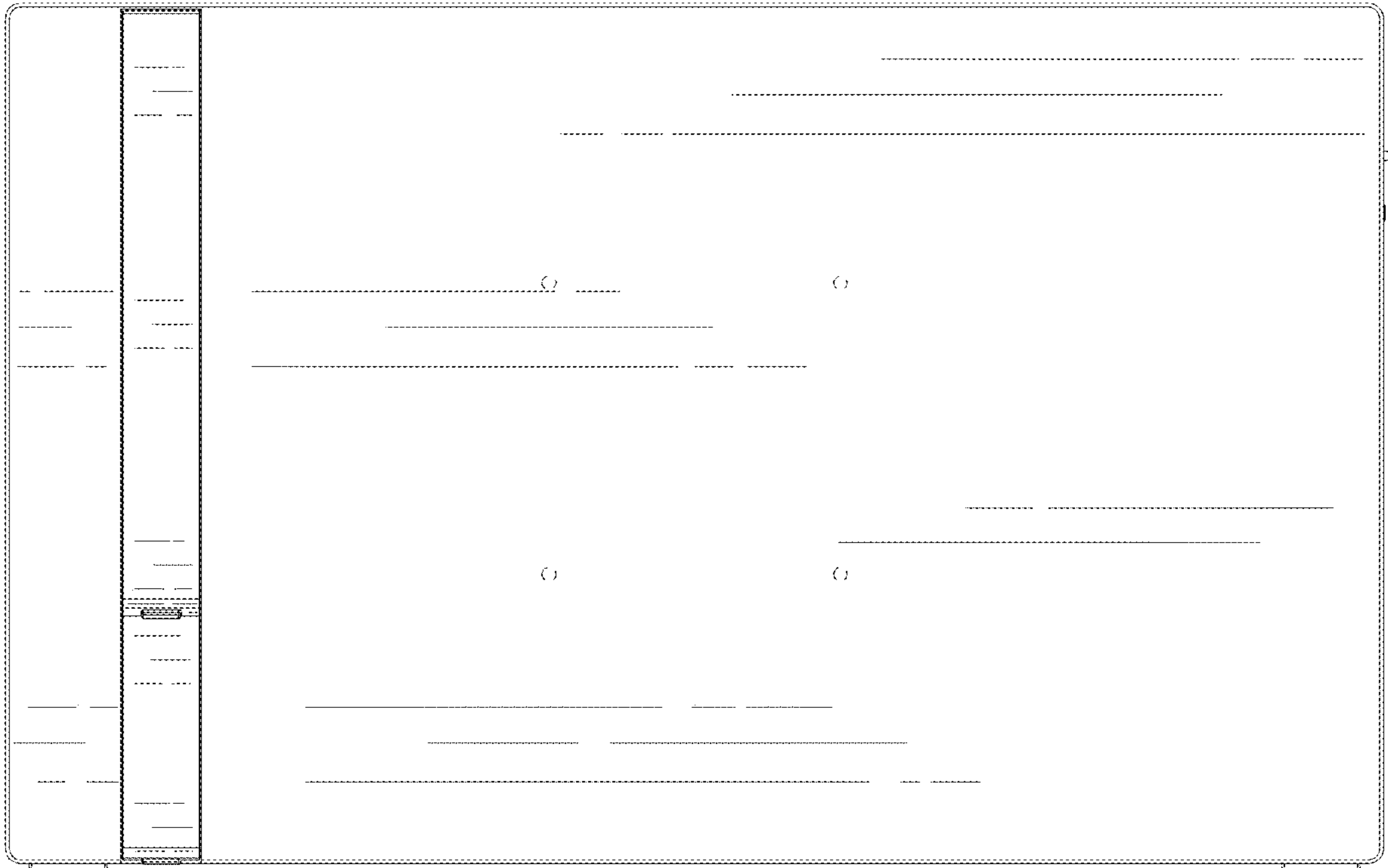


FIG. 4

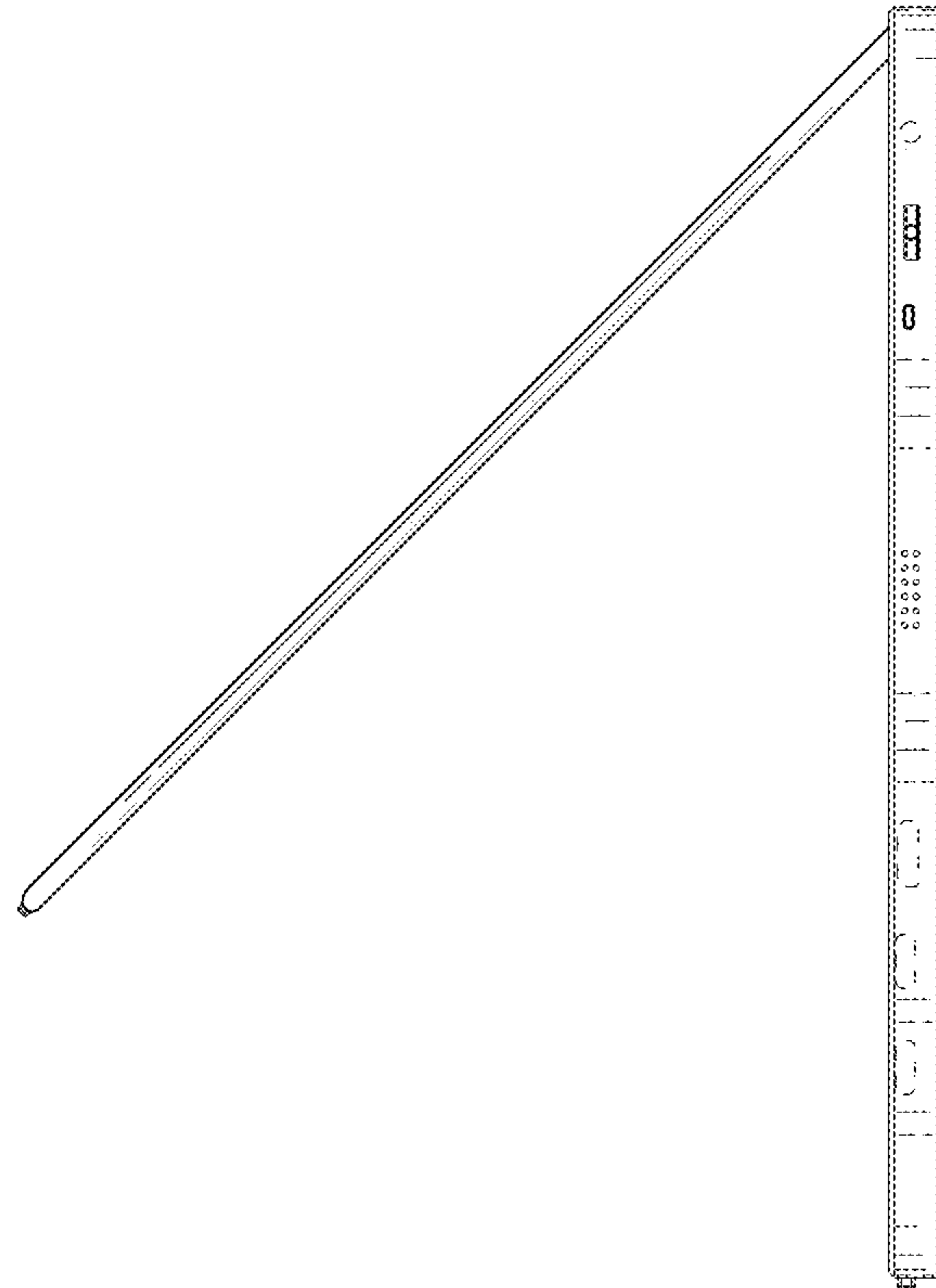


FIG. 5

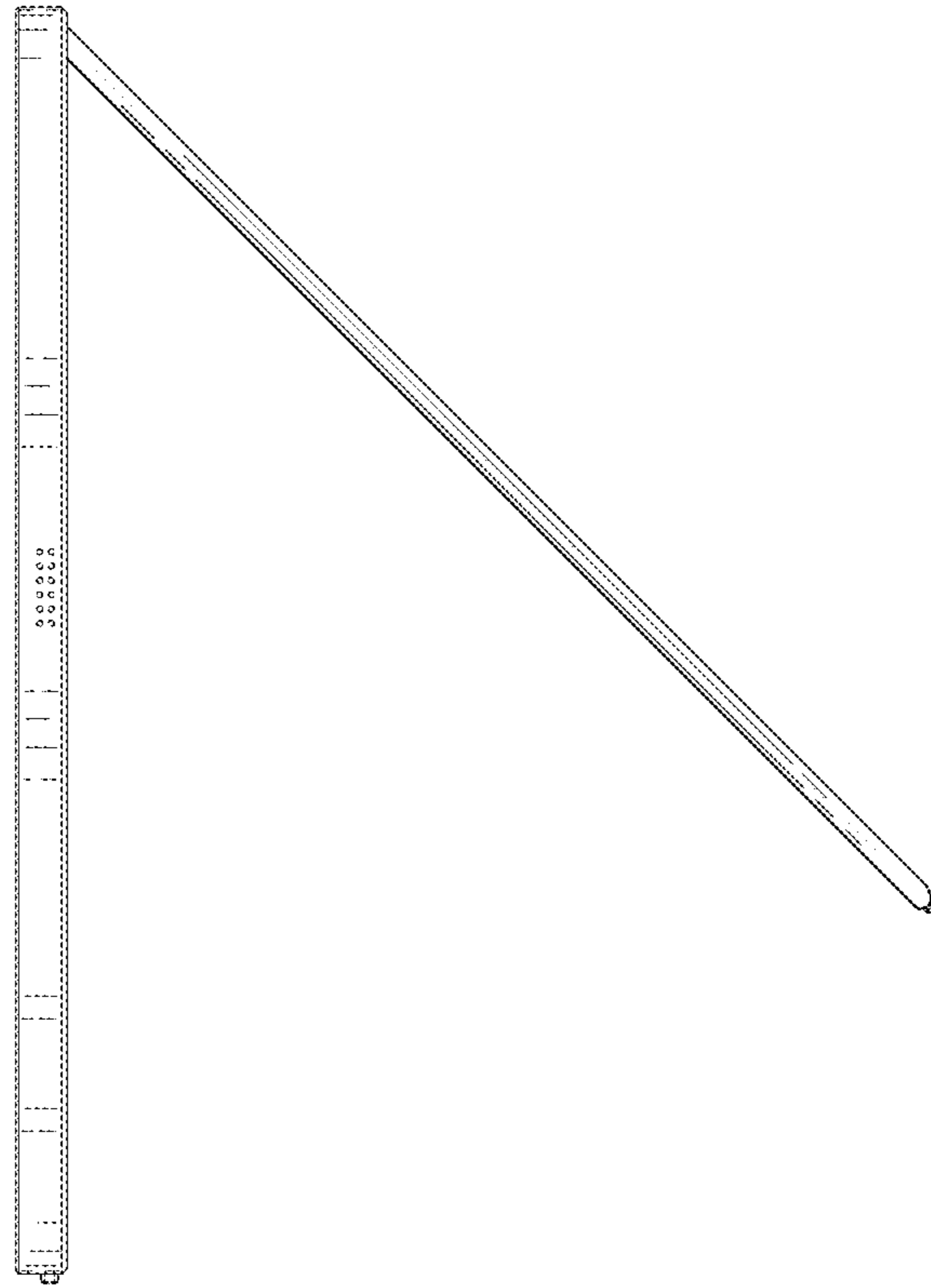


FIG. 6





FIG. 7

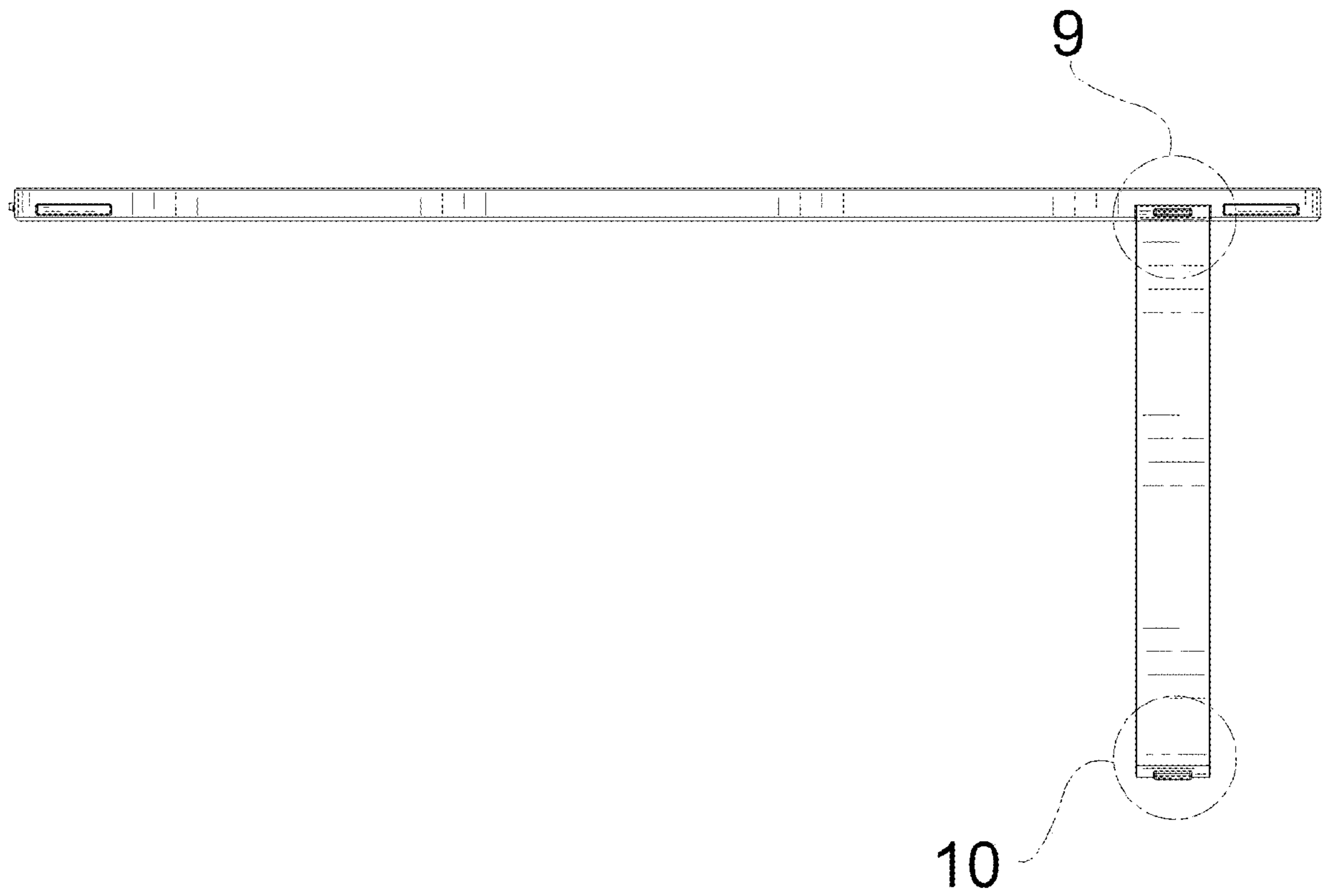


FIG. 8

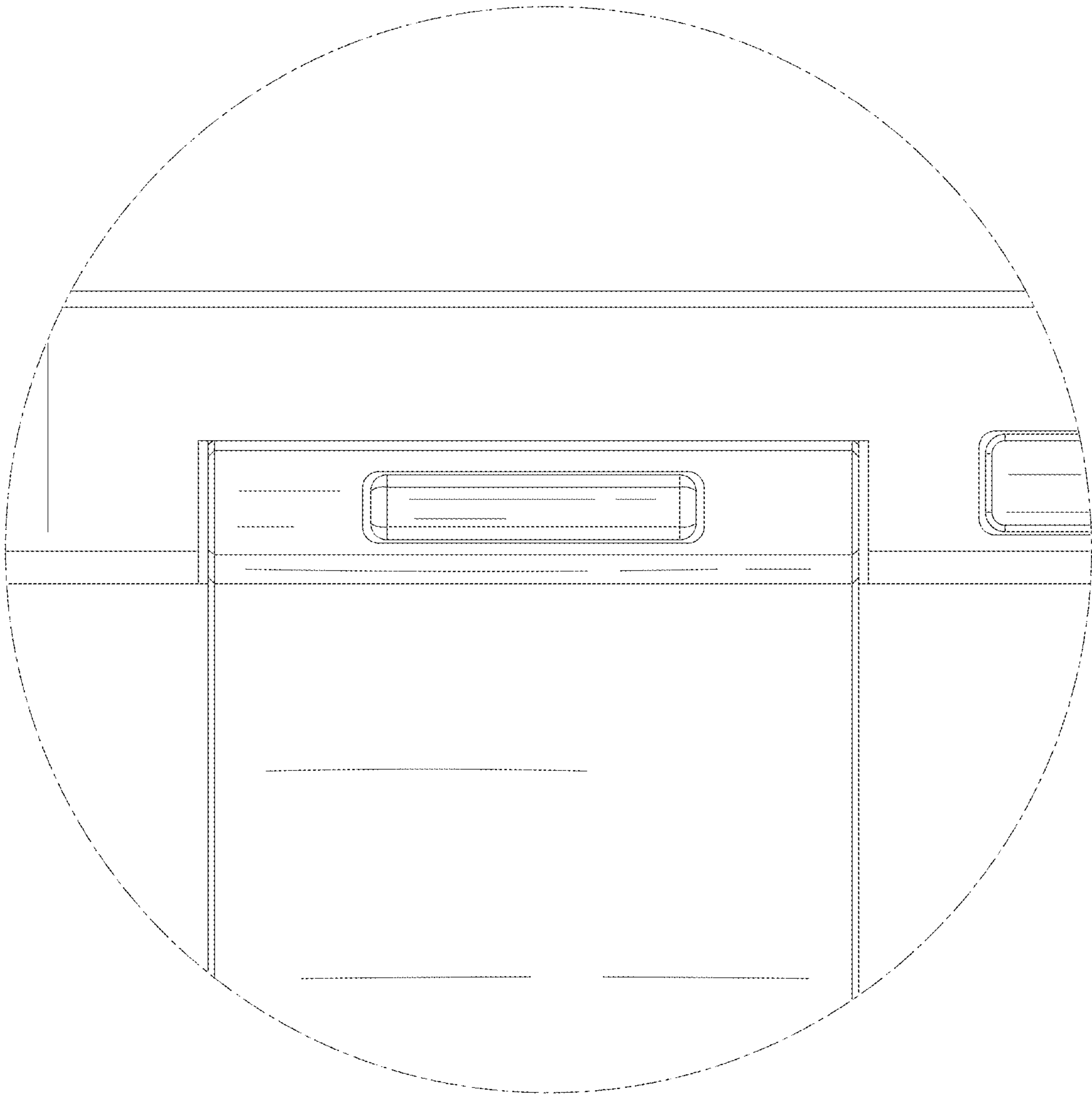


FIG. 9

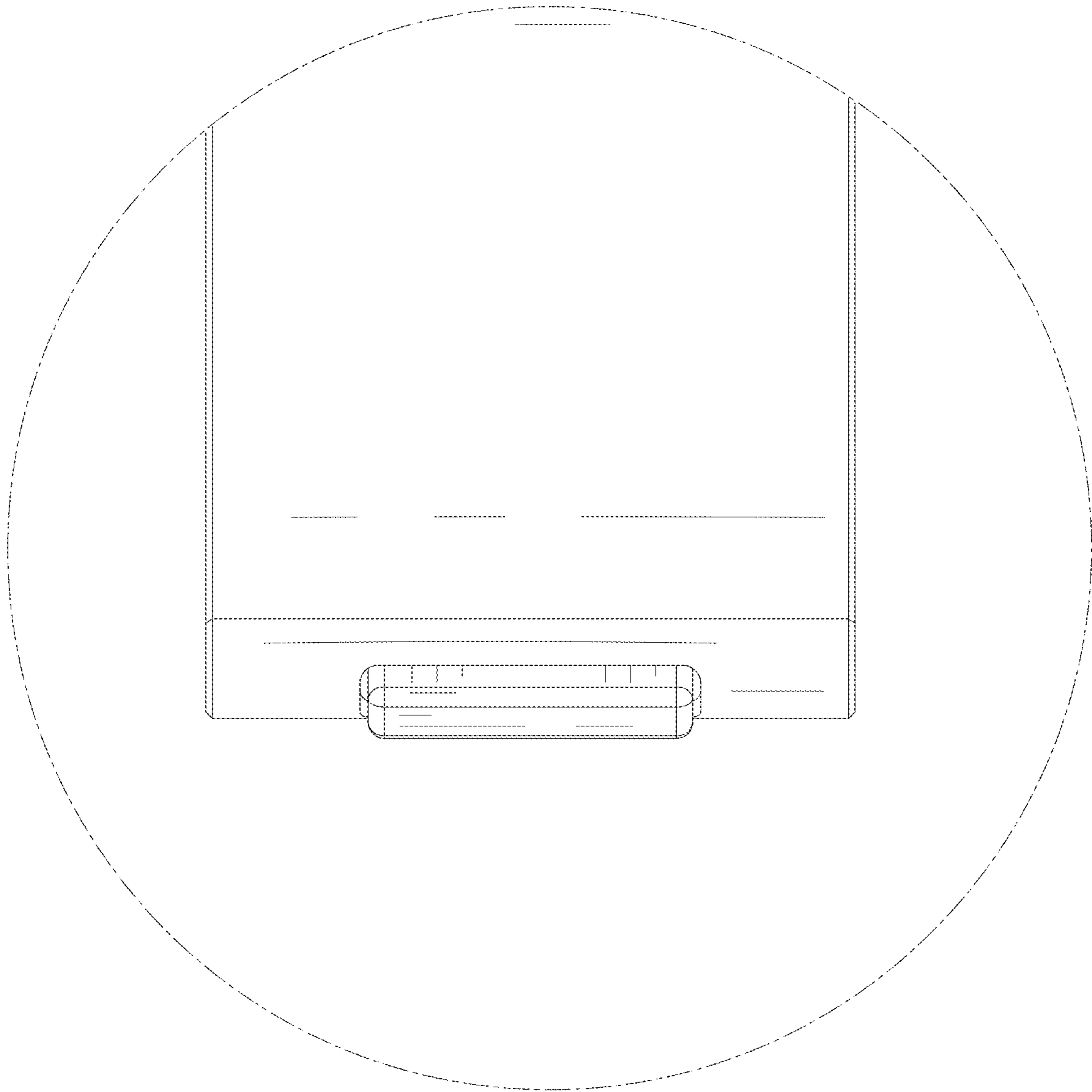


FIG. 10