



US00D975085S

(12) **United States Design Patent**  
**He et al.**

(10) **Patent No.:** **US D975,085 S**  
(45) **Date of Patent:** **\*\* Jan. 10, 2023**

(54) **SMARTWATCH**

(71) Applicant: **SHENZHEN DO INTELLIGENT TECHNOLOGY CO., LTD.**, Shenzhen (CN)

(72) Inventors: **An He**, Shenzhen (CN); **Yuanyuan Chen**, Shenzhen (CN)

(73) Assignee: **SHENZHEN DO INTELLIGENT TECHNOLOGY CO., LTD.**, Shenzhen (CN)

(\*\*) Term: **15 Years**

(21) Appl. No.: **29/825,454**

(22) Filed: **Feb. 1, 2022**

(51) **LOC (14) Cl.** ..... **14-02**

(52) **U.S. Cl.**  
USPC ..... **D14/344**; D10/32

(58) **Field of Classification Search**  
USPC ..... D10/30-39, 122-132; D11/3; D14/138 G, 344, 440, 509; D24/167, 186  
CPC ..... A61B 5/681; A61B 5/6831; A44C 5/0007; A44C 5/147; G04B 37/00; G04B 37/0058; G04B 37/1446; G04B 37/18; G04B 19/00; G04B 19/02; G04B 19/025; G04B 19/04; G04B 19/042; G04B 19/06; G04B 19/065; G04B 19/08; G04B 19/085; G04B 19/087; G04B 45/0046; G04B 45/0069; G04B 45/0076; G04G 99/006; G04G 17/00; G04G 17/08; G04G 17/083

See application file for complete search history.

(56) **References Cited**

**U.S. PATENT DOCUMENTS**

D795,706 S \* 8/2017 Lasserre ..... D10/30  
D800,579 S \* 10/2017 Goldberg ..... D10/30  
D815,090 S 4/2018 Chan et al.  
D844,458 S \* 4/2019 Lillquist ..... D10/30  
D848,864 S \* 5/2019 Mockler ..... D10/30

D851,504 S \* 6/2019 Henne ..... D14/344  
D857,010 S \* 8/2019 Choi ..... D14/344  
D857,528 S \* 8/2019 Moilanen ..... D14/344  
D865,758 S \* 11/2019 Choi ..... D14/344  
D870,105 S \* 12/2019 Yoo ..... D14/344

(Continued)

**FOREIGN PATENT DOCUMENTS**

CN 307017432 12/2021

**OTHER PUBLICATIONS**

Bibejat BT2 Smart Watch for Men | amazon.com; date first available May 12, 2021 [online]. © 1996-2022, Amazon.com, Inc [retrieved Aug. 23, 2022] from Internet: <https://www.amazon.com/BRIBEJAT-Android-Compatible-Activity-Waterproof/dp/B0969DTW2V> (Year: 2021).\*

(Continued)

*Primary Examiner* — Katherine Glennon

(74) *Attorney, Agent, or Firm* — Perry + Currier

(57) **CLAIM**

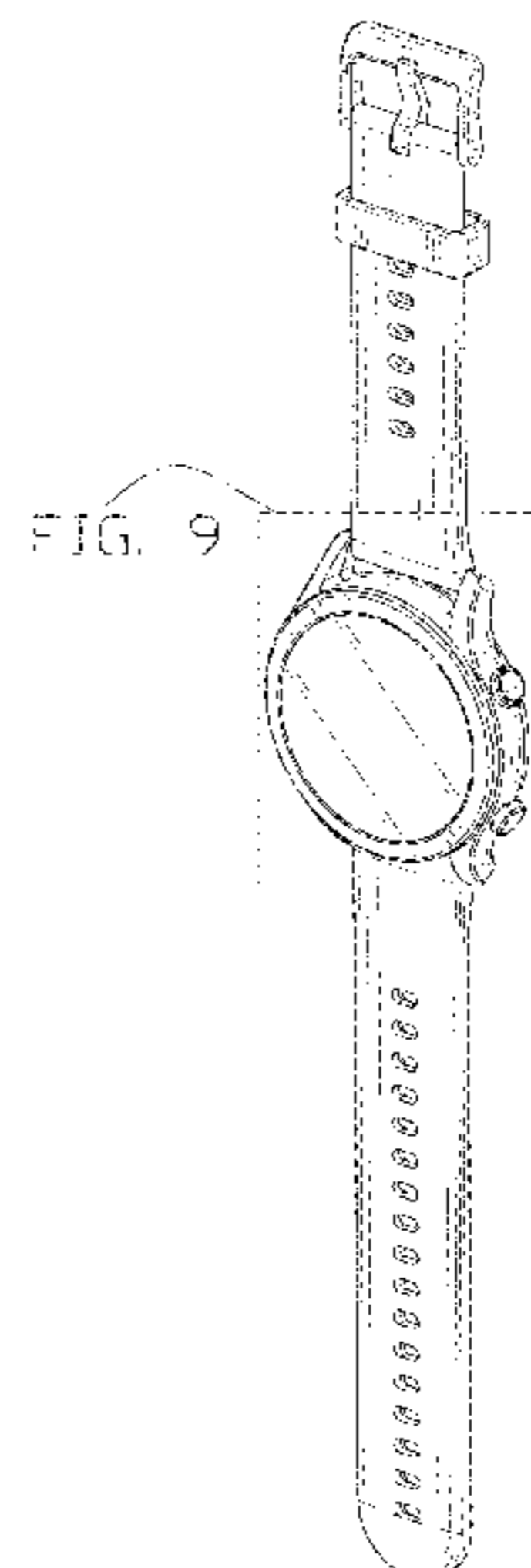
What is claimed is the ornamental design for a smartwatch, as shown and described.

**DESCRIPTION**

FIG. 1 is a front, right and top side perspective view of a smartwatch showing our new design;  
FIG. 2 is a rear, left and bottom side perspective view thereof;  
FIG. 3 is a front elevation view thereof;  
FIG. 4 is a rear elevation view thereof;  
FIG. 5 is a left side elevation view thereof;  
FIG. 6 is a right side elevation view thereof;  
FIG. 7 is a top plan view thereof;  
FIG. 8 is a bottom plan view thereof.  
FIG. 9 is an enlarged partial view of FIG. 1; and,  
FIG. 10 is an enlarged partial view of FIG. 2.

The broken lines shown in the drawings represent portions of the smartwatch that form no part of the claimed design.

**1 Claim, 10 Drawing Sheets**



(56)

**References Cited**

U.S. PATENT DOCUMENTS

D881,875 S	*	4/2020	Ke .....	D14/344
D885,935 S		6/2020	Xie et al.	
D893,474 S		8/2020	Chung et al.	
D900,643 S	*	11/2020	Barberis .....	D14/344
D900,644 S	*	11/2020	Register .....	D14/344
D901,492 S	*	11/2020	Gao .....	D14/344
D912,542 S	*	3/2021	Moilanen .....	D14/344
D913,118 S	*	3/2021	Moilanen .....	D14/344
D918,059 S	*	5/2021	Wang .....	D14/344
D918,744 S	*	5/2021	Kohda .....	D10/38
D923,004 S	*	6/2021	Gao .....	D14/344
D927,991 S	*	8/2021	Ide .....	D14/344
D929,396 S		8/2021	Zou et al.	
D937,101 S	*	11/2021	Yuan .....	D14/344
D953,891 S	*	6/2022	Byler .....	D14/344
D956,742 S	*	7/2022	Choi .....	D14/344

OTHER PUBLICATIONS

Garmin Vivoactive 3 Review | zdnet.com; posted Dec. 27, 2017 [online]. © 2022 ZDNET [retrieved Aug. 23, 2022] from Internet:

<<https://www.zdnet.com/article/garmin-vivoactive-3-review-a-solid-mid-range-gps-sports-watch-with-wireless-payment-support/>> (Year: 2017).\*

Garmin Venu 2 review | theverge.com; posted Jun. 9, 2021 [online]. © 2022 Vox Media [retrieved Aug. 23, 2022] from Internet: <<https://www.theverge.com/22524882/garmin-venu-2-fitness-watch-review>> (Year: 2021).\*

Idosmart ID217G | idosmart.com; no posting date [online]. © 2021 DO Technology Co. ,Ltd [retrieved Aug. 23, 2022] from Internet: <<https://www.idosmart.com/item/217G.html>> (Year: 2022).\*

AQFiT. “W9 (introductory Price).” AQFiT India, 2021, Accessed on Jan. 28, 2022 at URL: <https://aqfit.in/products/w9>.

getitworld.com, “Calybre Calling Smart Watch Metal Dial Quality, Men, Women Leather Strap.” Calybre Calling Smart Watch, 2022. Accessed on Jan. 28, 2022 at URL: <https://www.getitworld.com/Products/CALYBRE-CALLING-SMART-WATCH-METAL-SILVER>.

mi.com, “Watch-Revolve-Active.” Mi, 2022, Accessed on Jan. 28, 2022 at URL: <https://www.mi.com/in/mi-watch-revolvea.ctive/>.

realme.com, “Realme Watch S—Realme(India).” Realme (Global)—Dare to Leap, 2022, Accessed on Jan. 28, 2022 at URL: <https://www.realme.com/in/realme-watch-s>.

\* cited by examiner

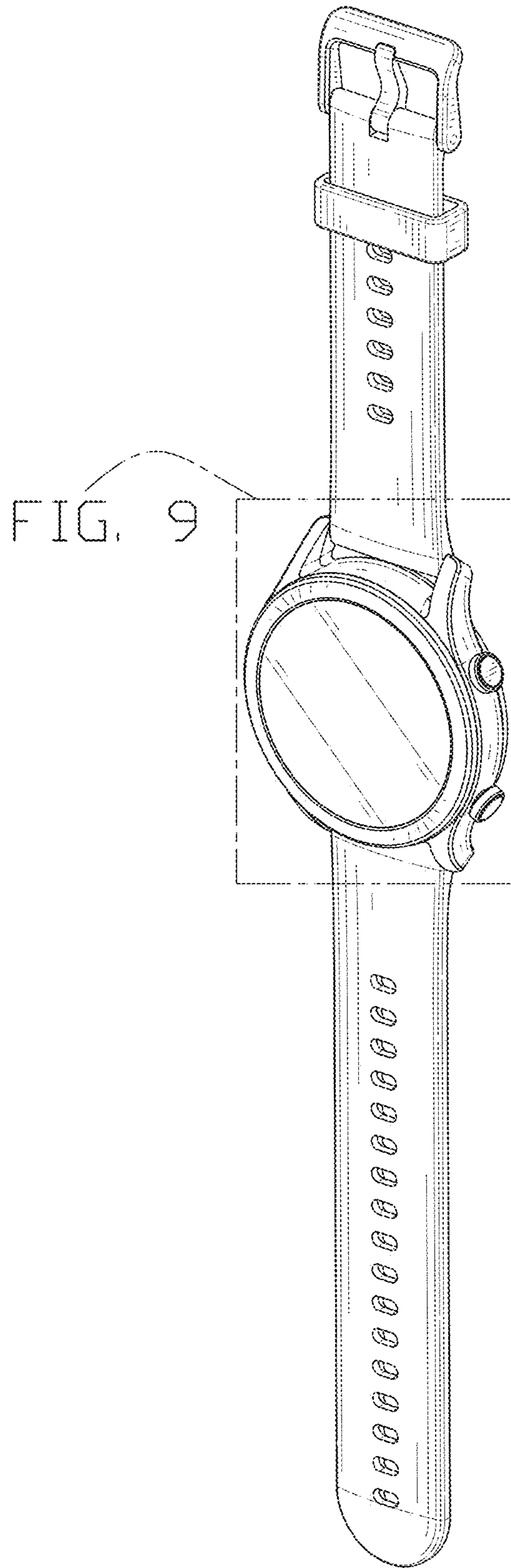


FIG. 9

FIG. 1

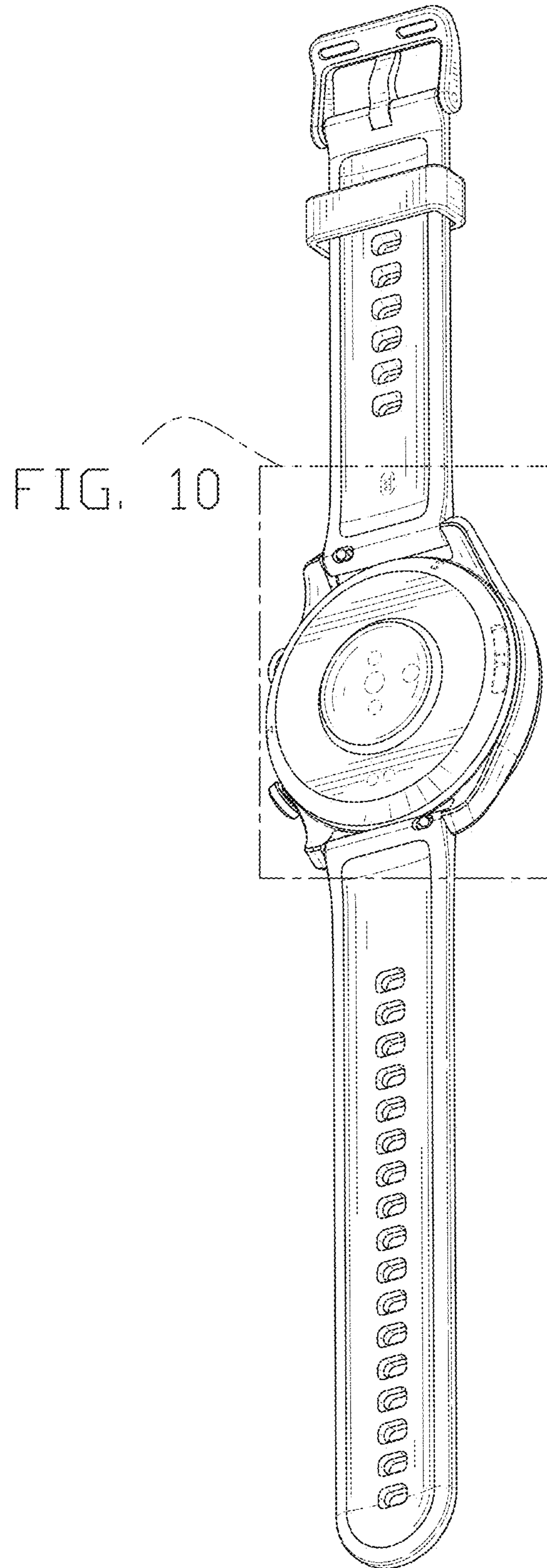


FIG. 2

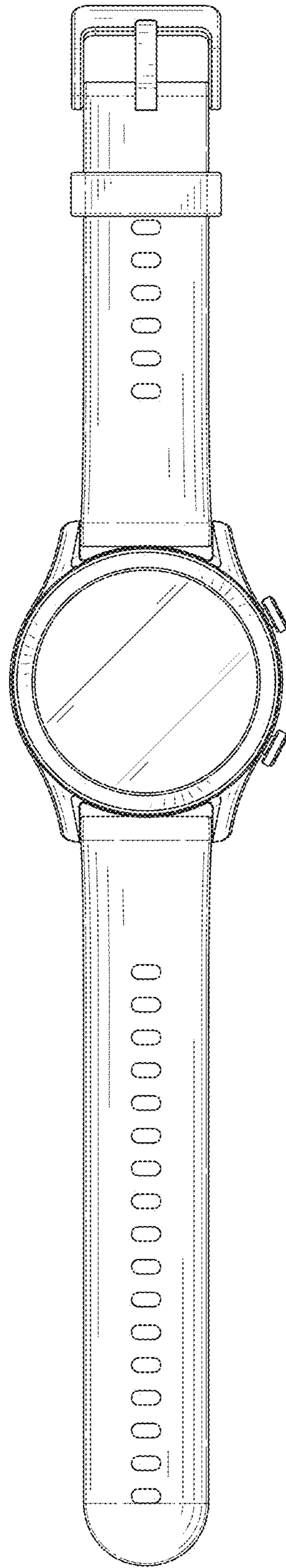


FIG. 3

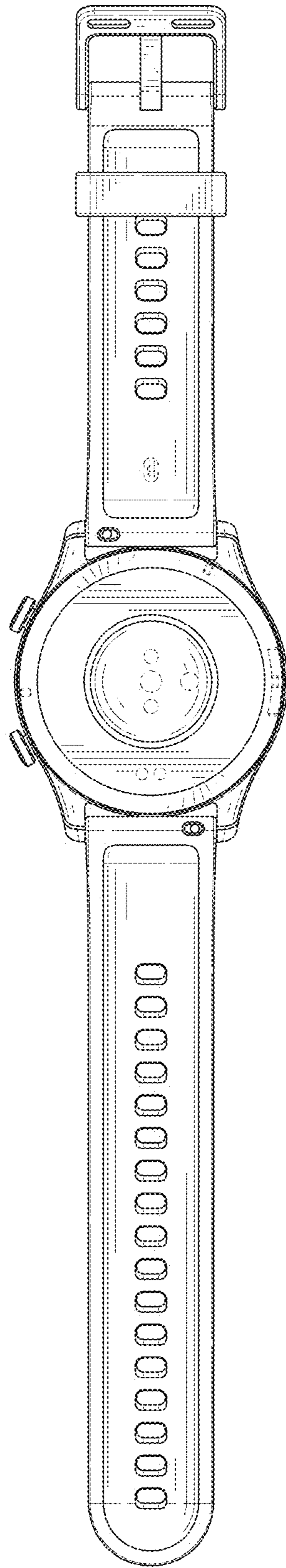


FIG. 4

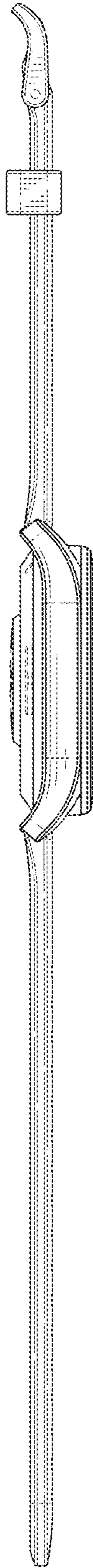


FIG. 5

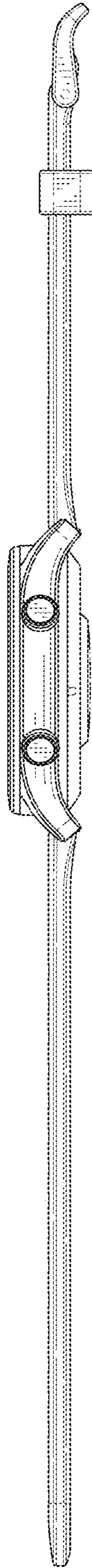


FIG. 6



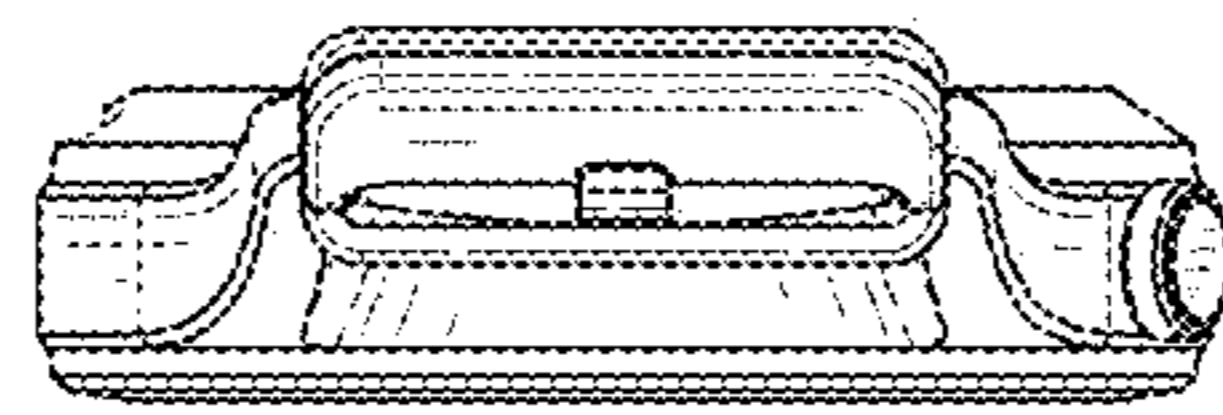


FIG. 7

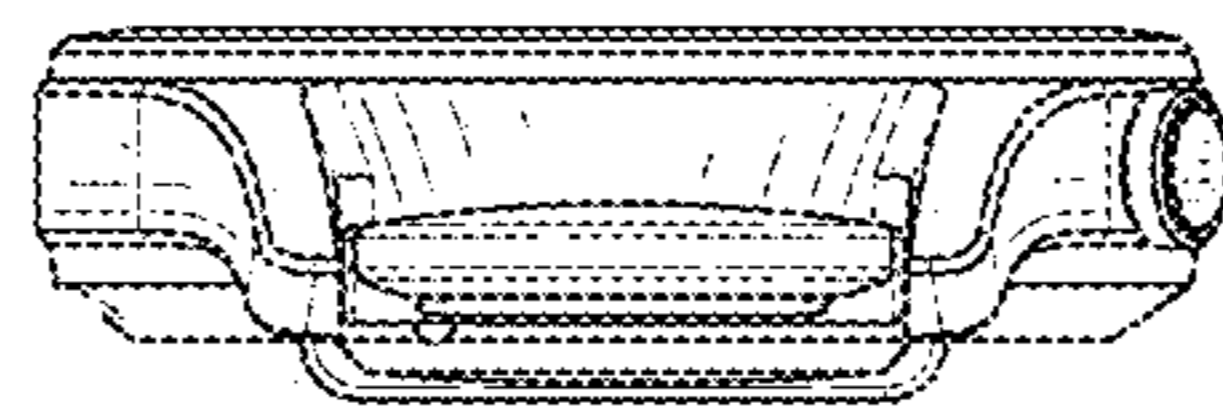


FIG. 8

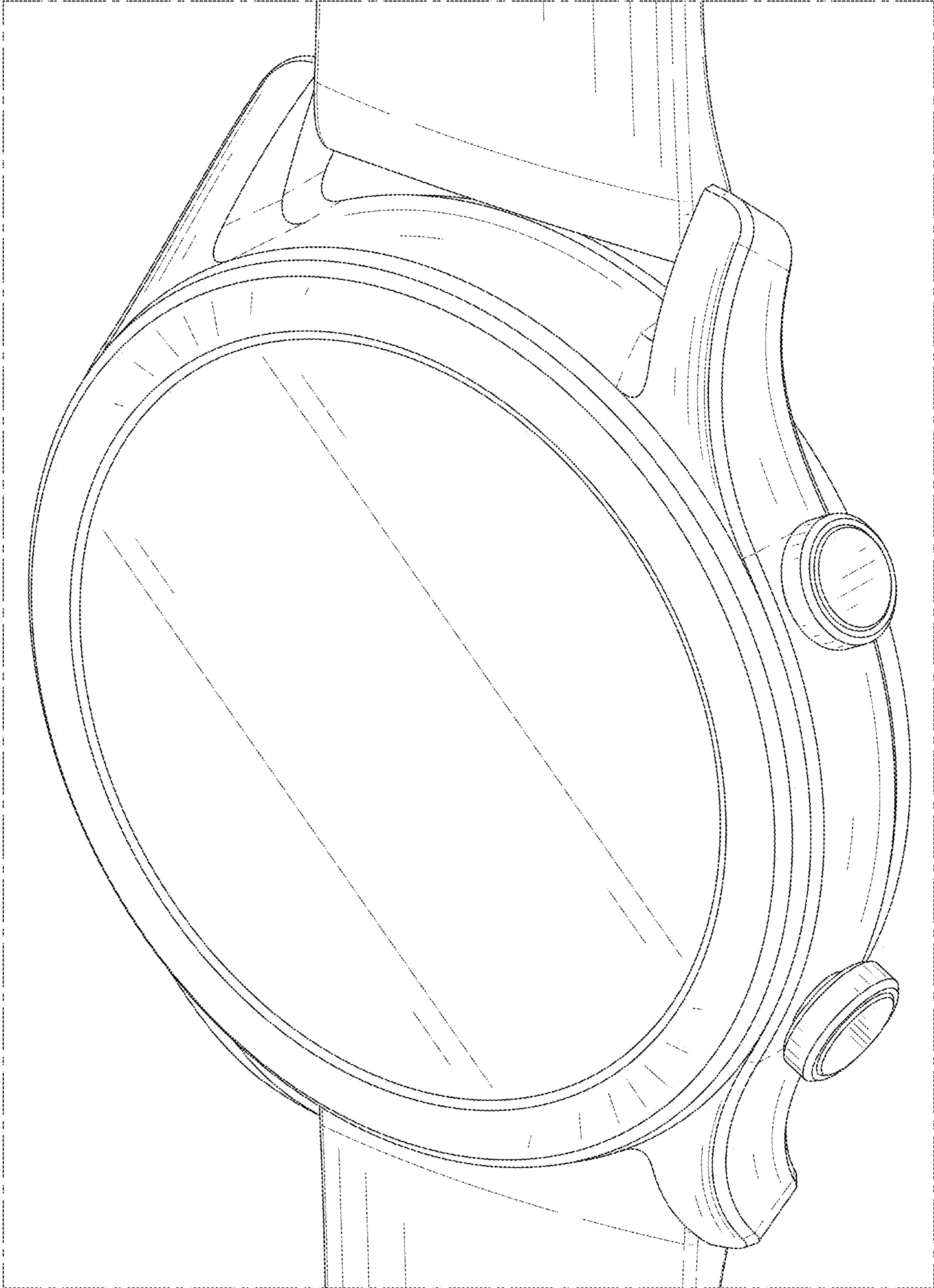


FIG. 9

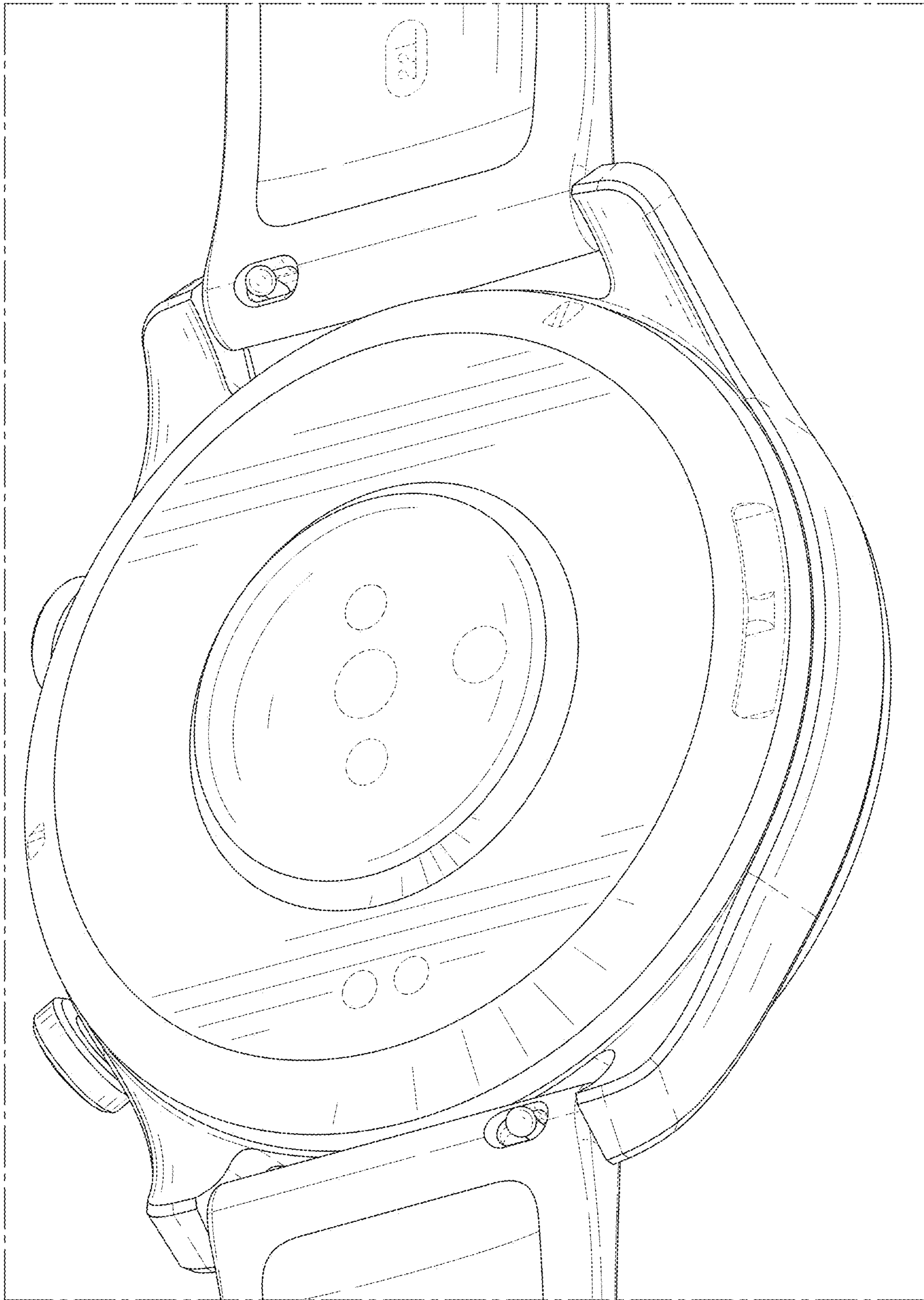


FIG. 10