



US00D975078S

(12) **United States Design Patent**  
**Yang et al.**

(10) **Patent No.:** **US D975,078 S**  
(45) **Date of Patent:** **\*\* Jan. 10, 2023**

(54) **NOTEBOOK COMPUTER**

(71) Applicant: **Acer Incorporated**, New Taipei (TW)

(72) Inventors: **Szu-Wei Yang**, New Taipei (TW);  
**Kai-Teng Cheng**, New Taipei (TW);  
**Fang-Ying Huang**, New Taipei (TW)

(73) Assignee: **Acer Incorporated**, New Taipei (TW)

(\*\*) Term: **15 Years**

(21) Appl. No.: **29/745,099**

(22) Filed: **Aug. 4, 2020**

(30) **Foreign Application Priority Data**

Apr. 7, 2020 (TW) ..... 109301842

(51) **LOC (14) Cl.** ..... **14-02**

(52) **U.S. Cl.**  
USPC ..... **D14/320**; D14/318; D14/331

(58) **Field of Classification Search**  
USPC ..... D14/315–327, 331, 333, 334, 335,  
D14/338–340, 371, 388, 390, 391, 392,  
(Continued)

(56) **References Cited**

**U.S. PATENT DOCUMENTS**

D683,729 S \* 6/2013 Jen ..... D14/318  
D709,491 S \* 7/2014 Kurimoto ..... D14/320  
(Continued)

**OTHER PUBLICATIONS**

Acer's Predator 21X. Acer, businessinsider.com (online) 13 pages.  
Posted Sep. 5, 2016. [Retrieved Jun. 21, 2022] <https://www.businessinsider.com/acer-predator-21x-has-first-curved-screen-on-gaming-laptop-photos-2016-9> (Year: 2016).\*

(Continued)

*Primary Examiner* — Kathleen L Jones

*Assistant Examiner* — Cole Sanders Holman

(74) *Attorney, Agent, or Firm* — JCIPRNET

(57) **CLAIM**

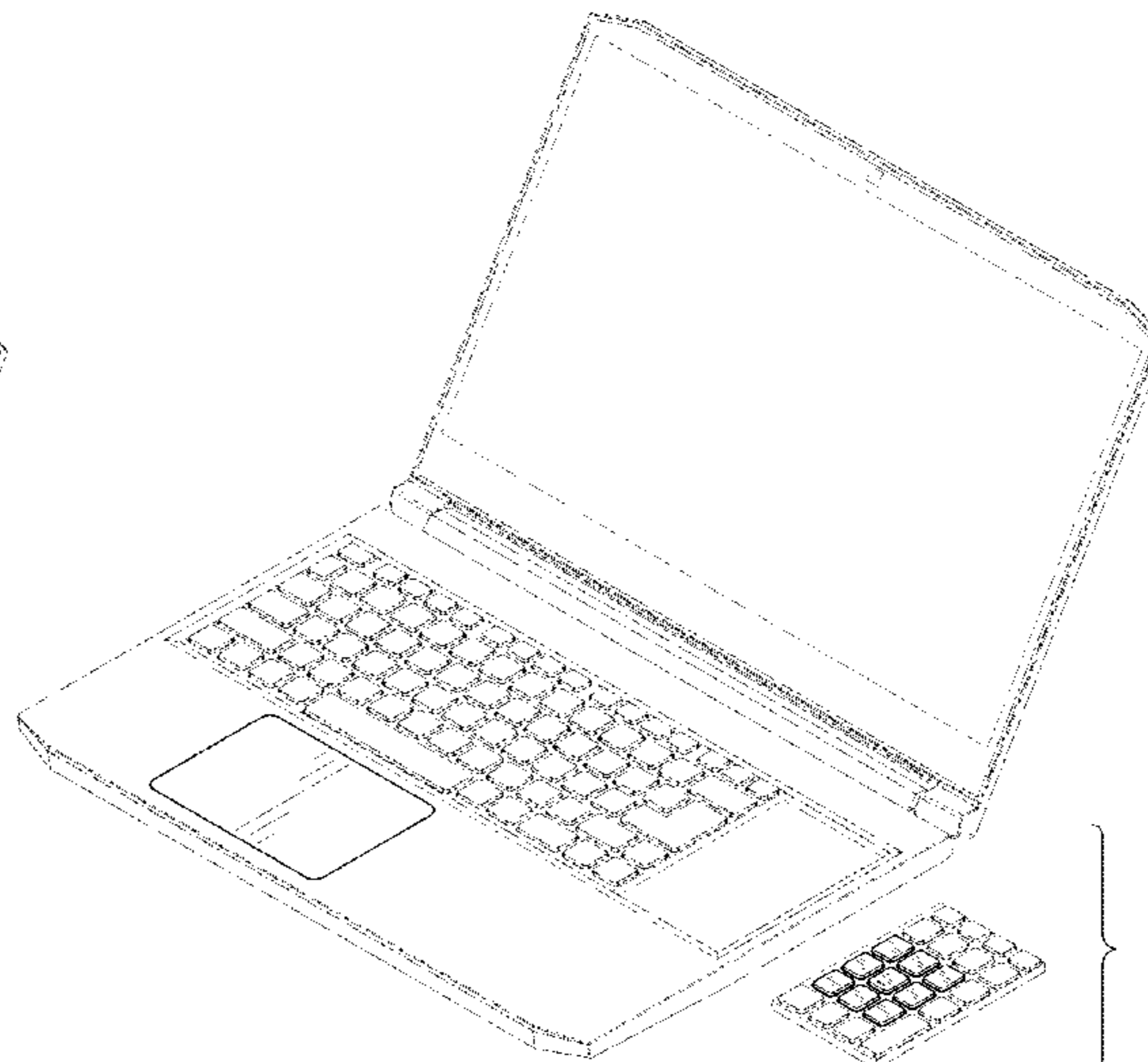
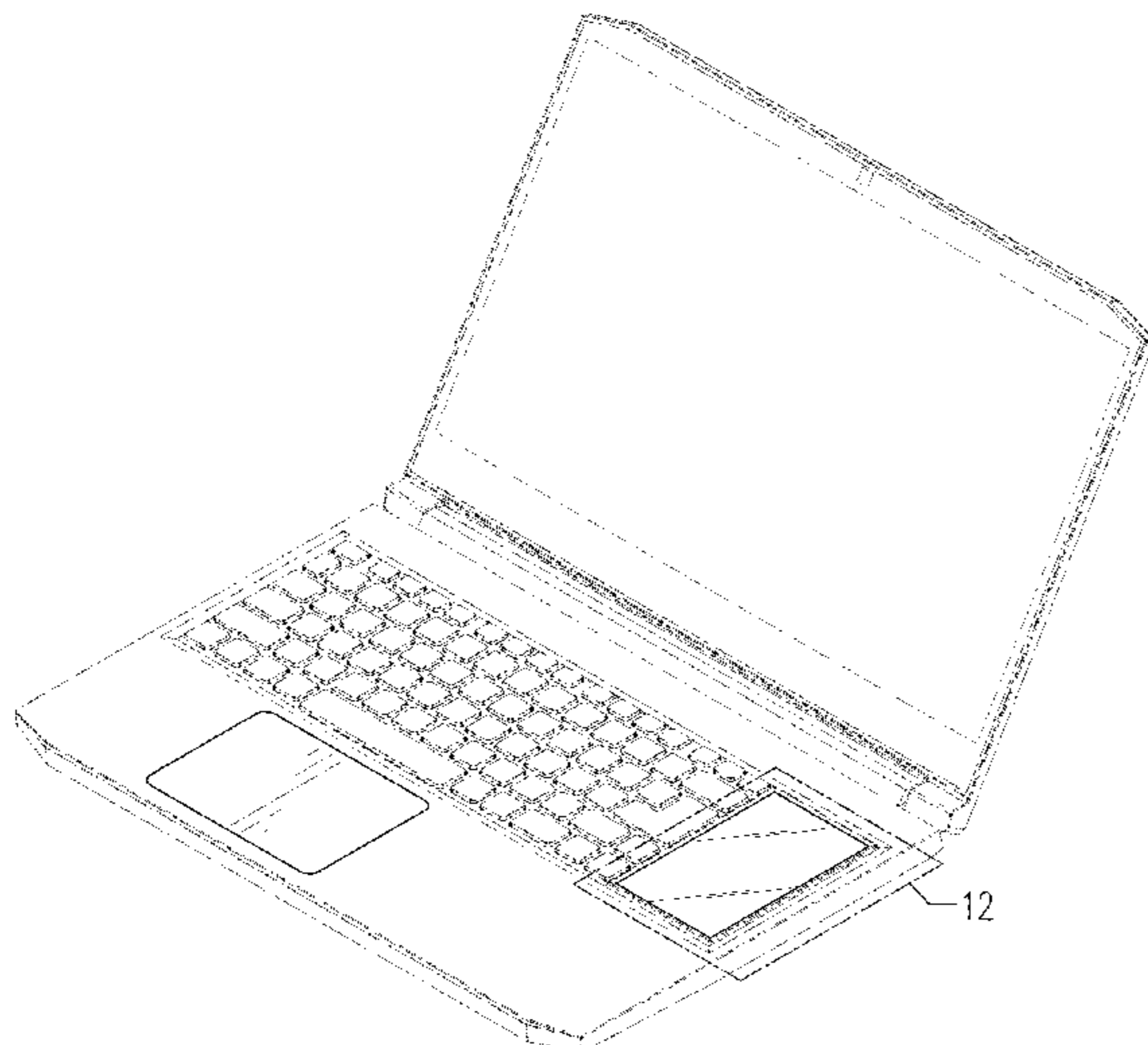
The ornamental design for a notebook computer, as shown and described.

**DESCRIPTION**

FIG. 1 is a perspective view of a notebook computer showing our new design;  
FIG. 2 is a front view thereof;  
FIG. 3 is a rear view thereof;  
FIG. 4 is a left side view thereof;  
FIG. 5 is a right side view thereof;  
FIG. 6 is a top view thereof;  
FIG. 7 is a bottom view thereof;  
FIG. 8 is a perspective view thereof showing the detachable input element moved away from the base of the notebook computer with the drawing pad facing upward;  
FIG. 9 is a perspective view thereof showing the detachable input element moved away from the base of the notebook computer with the keys facing upward;  
FIG. 10 is a perspective view thereof showing the detachable input element put back into the base of the notebook computer with the keys facing upward;  
FIG. 11 is a top view thereof showing the detachable input element put back into the base of the notebook computer with the keys facing upward;  
FIG. 12 is an enlarged view of the portion, labeled '12' in FIG. 1;  
FIG. 13 is an enlarged view of the portion, labeled '13' in FIG. 10; and,  
FIG. 14 is an enlarged view of the portion, labeled '14' in FIG. 11.

The evenly dashed broken lines illustrate portions of the notebook computer that form no part of the claimed design. The unevenly dashed broken lines indicate enlarged portions of the notebook computer shown for clarity and form no part of the claimed design.

**1 Claim, 12 Drawing Sheets**



(58) **Field of Classification Search**

USPC ..... D14/394, 396, 399, 432, 433, 454, 455,  
 D14/471, 203.1, 203.7, 341, 356, 488,  
 D14/239, 125, 126, 129, 135, 387, 424;  
 D18/1, 4.3, 4.5, 7, 11, 12, 12.2, 12.3  
 CPC ..... G06F 1/16; G06F 1/1601; G06F 1/1605;  
 G06F 1/1607; G06F 1/1613; G06F  
 1/1616; G06F 1/1618; G06F 1/162; G06F  
 1/1622; G06F 1/1624; G06F 1/1626;  
 G06F 1/1628; G06F 1/1633; G06F  
 1/1637; G06F 1/1641; G06F 1/1643;  
 G06F 1/1647; G06F 1/1649; G06F 1/165;  
 G06F 1/1652; G06F 1/1654; G06F  
 1/1656; G06F 1/1662; G06F 1/1664;  
 G06F 1/1666; G06F 1/1667; G06F  
 1/1669; G06F 1/1671; G06F 1/1675;  
 G06F 1/1681; G06F 1/1686; G06F  
 1/1688; G06F 1/169; G06F 1/1692; G06F  
 1/181; H05K 5/0017; H05K 5/03; H05K  
 5/0052; H05K 5/0069; H05K 5/0217;  
 H05K 5/0239; H05K 5/0249; H05K  
 5/0247; H05K 5/003; H04B 1/3888;  
 H04M 1/0202; H04M 1/021; H04M  
 1/0212; H04M 1/0279; H04M 1/0281;  
 H04M 1/0283

See application file for complete search history.

(56) **References Cited**

U.S. PATENT DOCUMENTS

D732,548 S \* 6/2015 Lee ..... D14/455  
 D734,318 S \* 7/2015 Lee ..... D14/315

D914,670 S \* 3/2021 Lin ..... D14/320  
 D914,671 S \* 3/2021 Chung ..... D14/320  
 D914,676 S \* 3/2021 Lee ..... D14/327  
 D924,866 S \* 7/2021 Michaelian ..... D14/315  
 11,055,053 B2 \* 7/2021 Mori ..... G06F 3/1454  
 D936,049 S \* 11/2021 Han ..... D14/315  
 11,175,705 B1 \* 11/2021 Hsu ..... G06F 1/1681  
 D948,501 S \* 4/2022 Lin ..... D14/327  
 D949,845 S \* 4/2022 Wu ..... D14/316  
 2008/0309520 A1 \* 12/2008 Wilson ..... G06F 1/1671  
 341/22  
 2013/0257739 A1 \* 10/2013 Chung ..... G06F 3/0219  
 345/169  
 2020/0264672 A1 \* 8/2020 Morino ..... G06F 1/1637  
 2020/0356259 A1 \* 11/2020 Mori ..... G09G 5/14  
 2021/0041915 A1 \* 2/2021 Moser ..... G06F 1/1649  
 2021/0064096 A1 \* 3/2021 Channaiah ..... G06F 1/1679

OTHER PUBLICATIONS

Lenovo Ultra Wide 17 inch laptop. Lenovo, [engadget.com](https://www.engadget.com/lenovo-thinkbook-plus-gen-3-dual-screen-laptop-hands-on-price-specs-availability-160028888.html?guccounter=1&guce_referrer=aHR0cHM6Ly93d3cuZ29vZ2xlLmNvbS8&g) (online)  
 8 pages. Posted Jan. 5, 2022. [Retrieved Jun. 21, 2022] [https://www.engadget.com/lenovo-thinkbook-plus-gen-3-dual-screen-laptop-hands-on-price-specs-availability-160028888.html?guccounter=1&guce\\_referrer=aHR0cHM6Ly93d3cuZ29vZ2xlLmNvbS8&g](https://www.engadget.com/lenovo-thinkbook-plus-gen-3-dual-screen-laptop-hands-on-price-specs-availability-160028888.html?guccounter=1&guce_referrer=aHR0cHM6Ly93d3cuZ29vZ2xlLmNvbS8&g) (Year: 2022).\*

\* cited by examiner

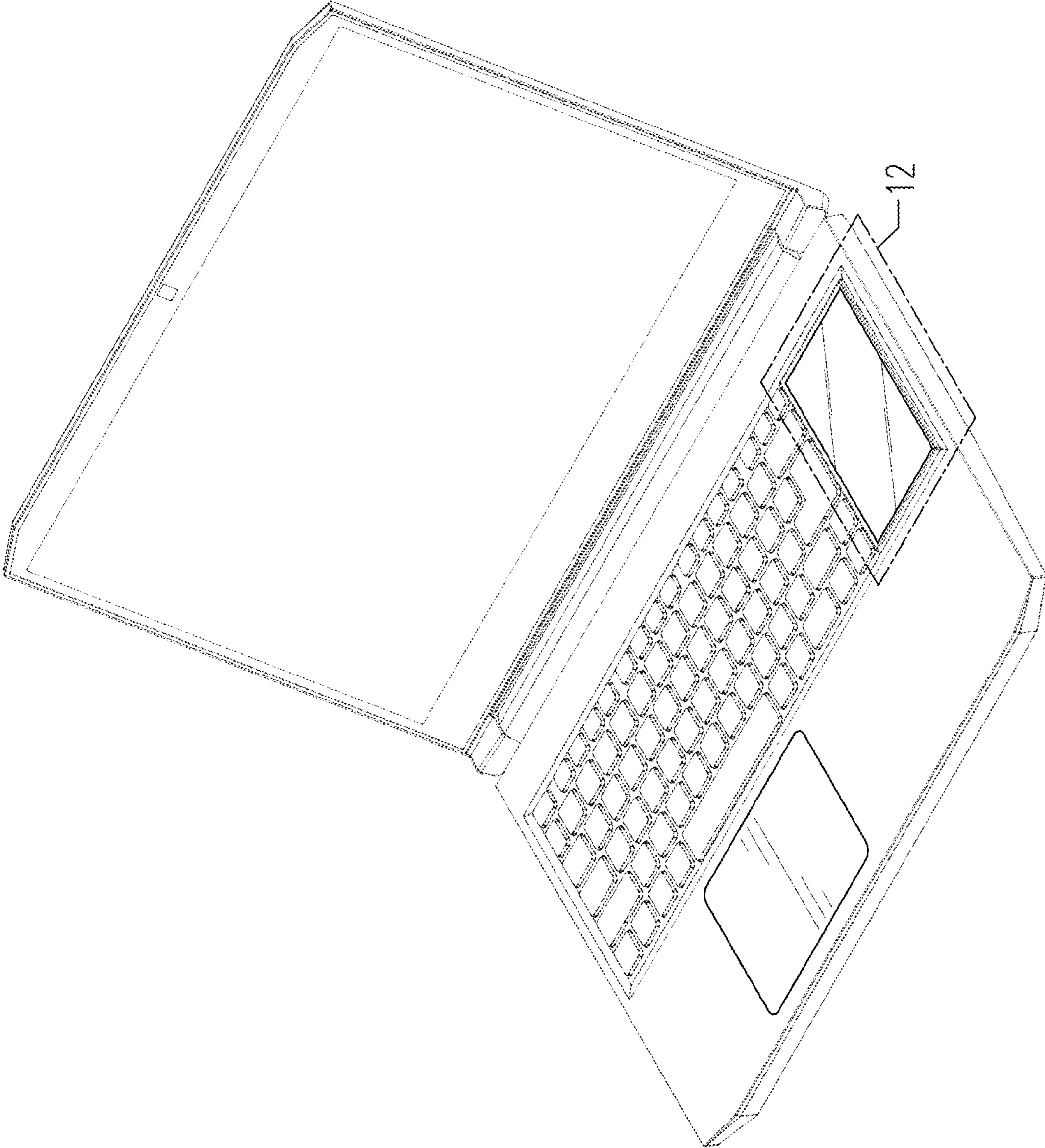


FIG. 1

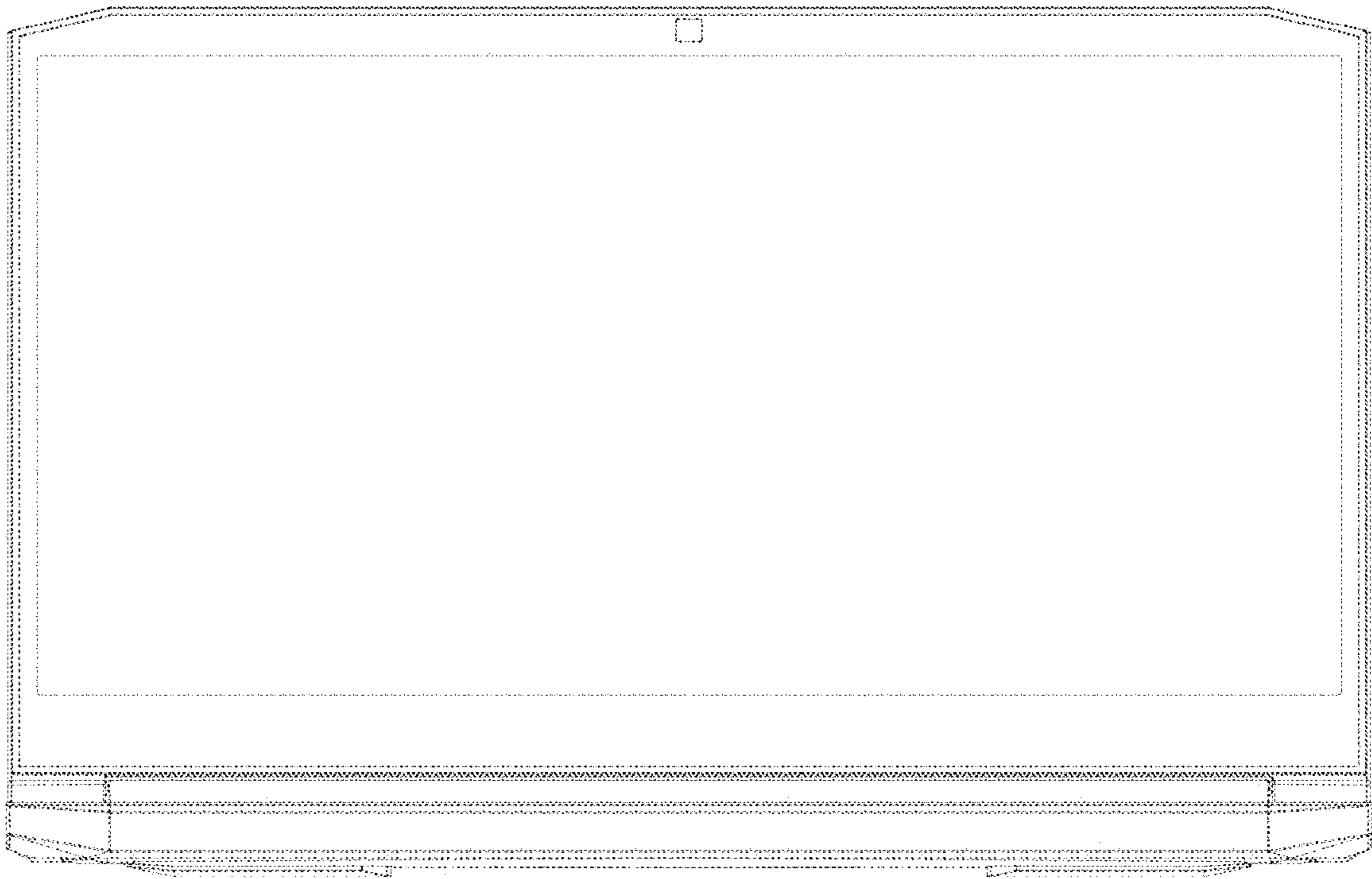


FIG. 2

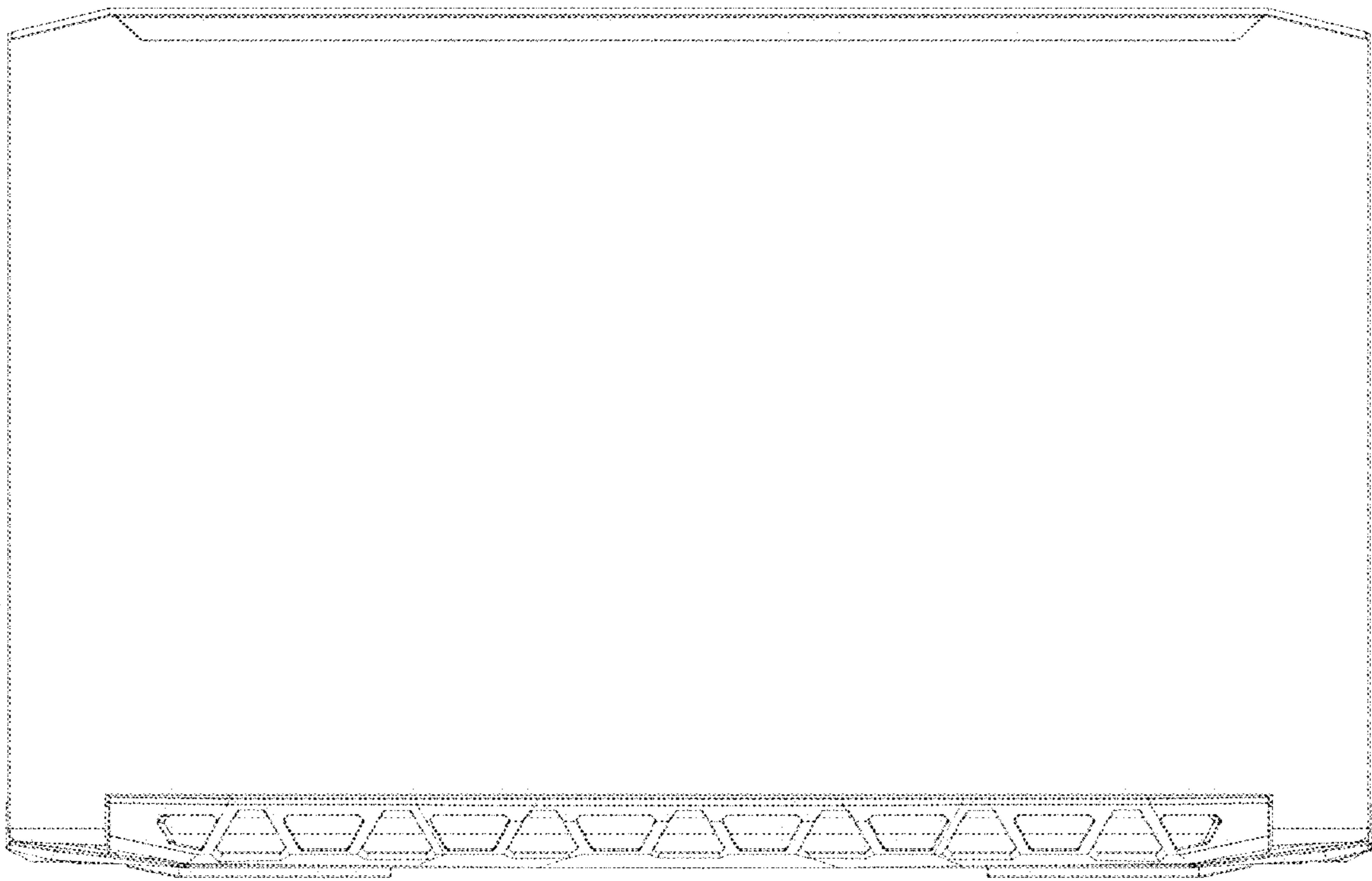


FIG. 3

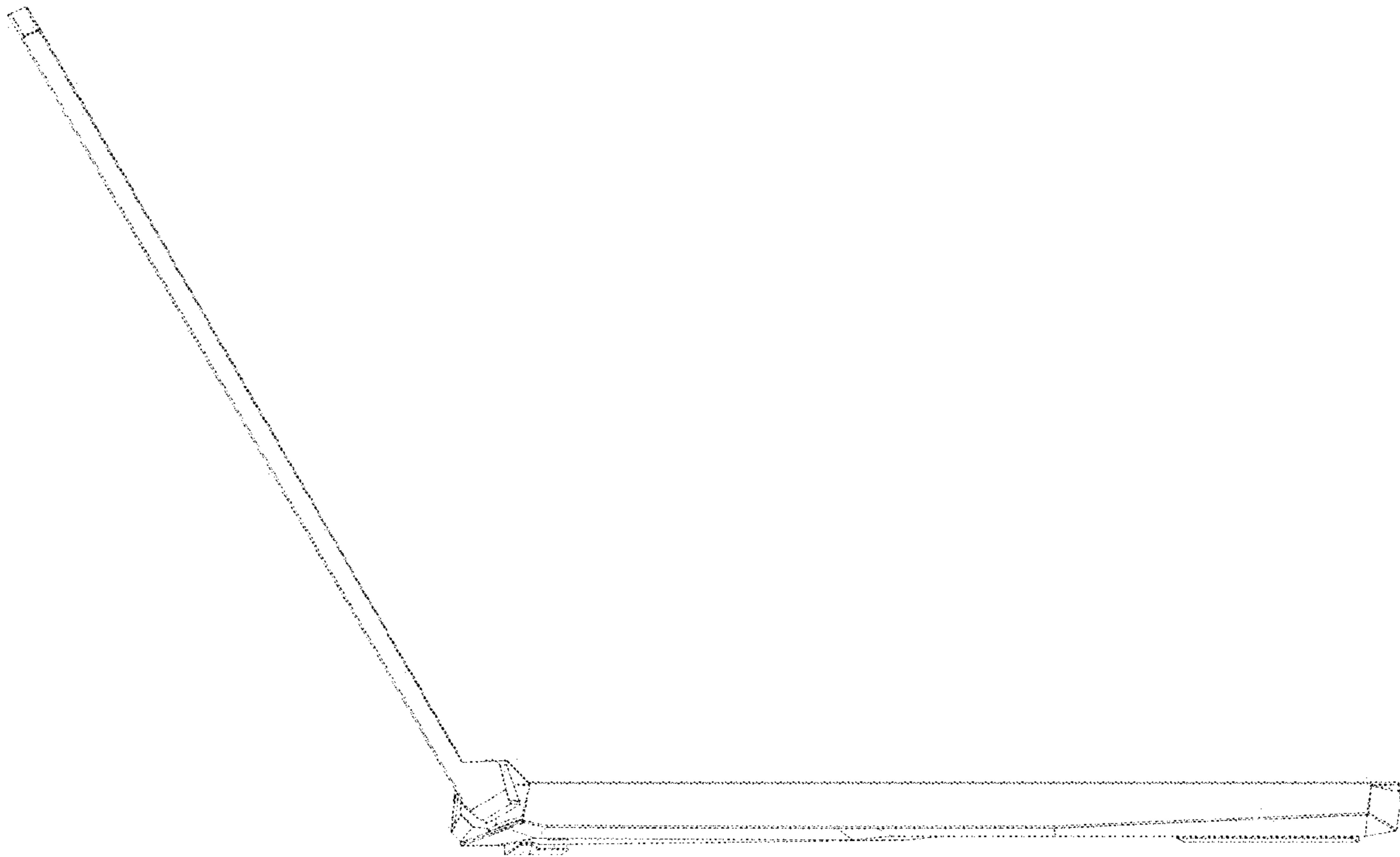


FIG. 4

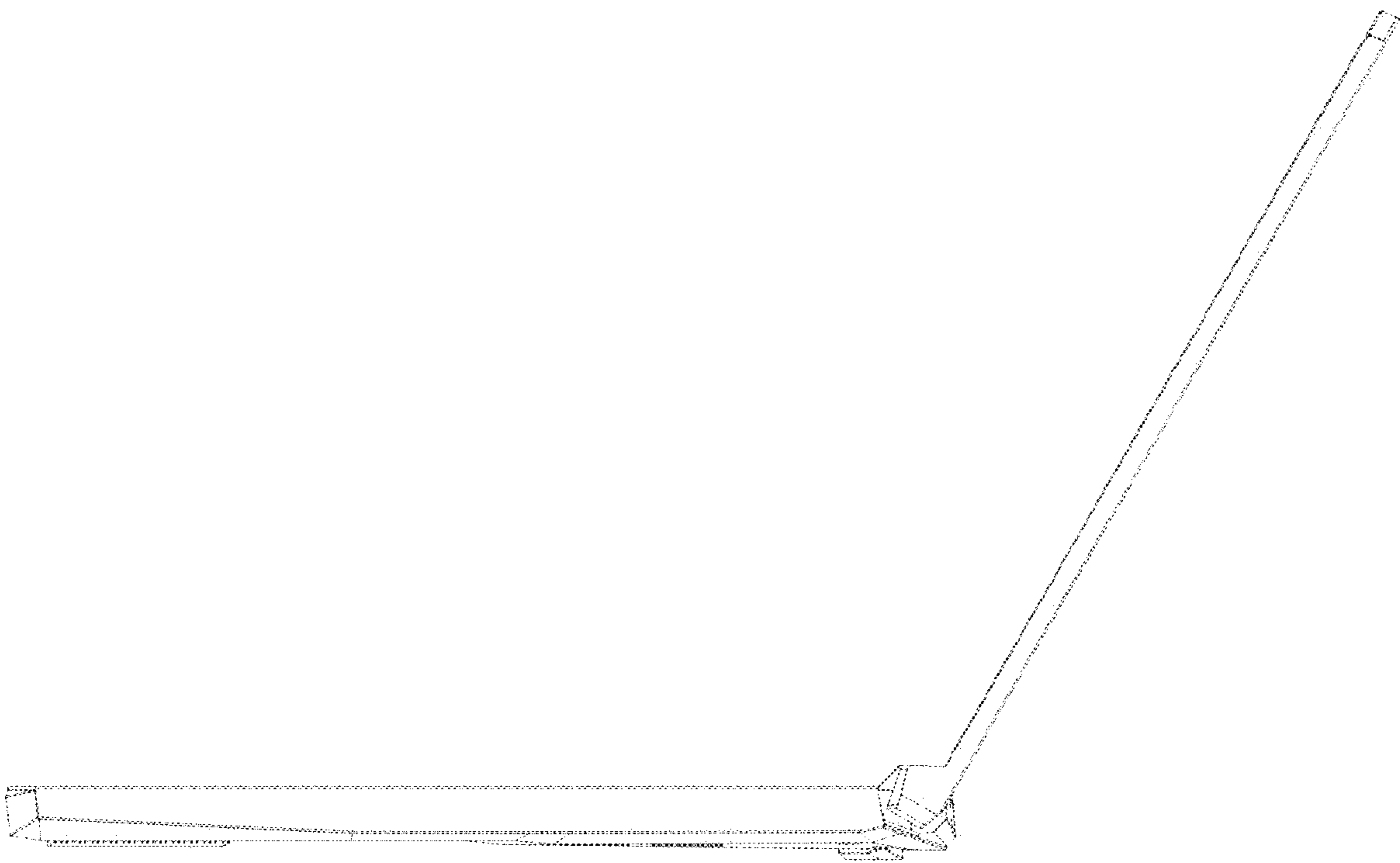


FIG. 5

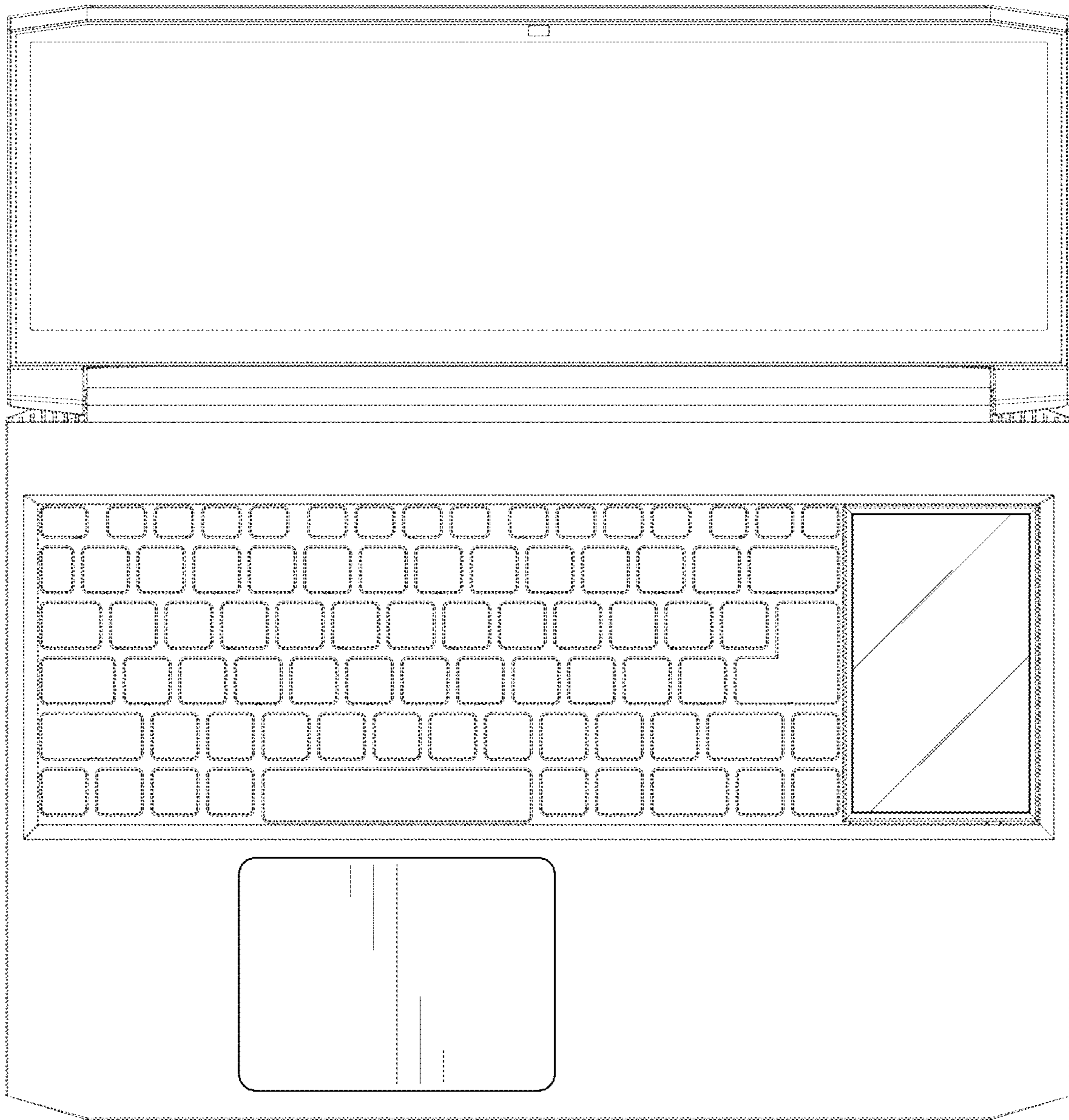


FIG. 6

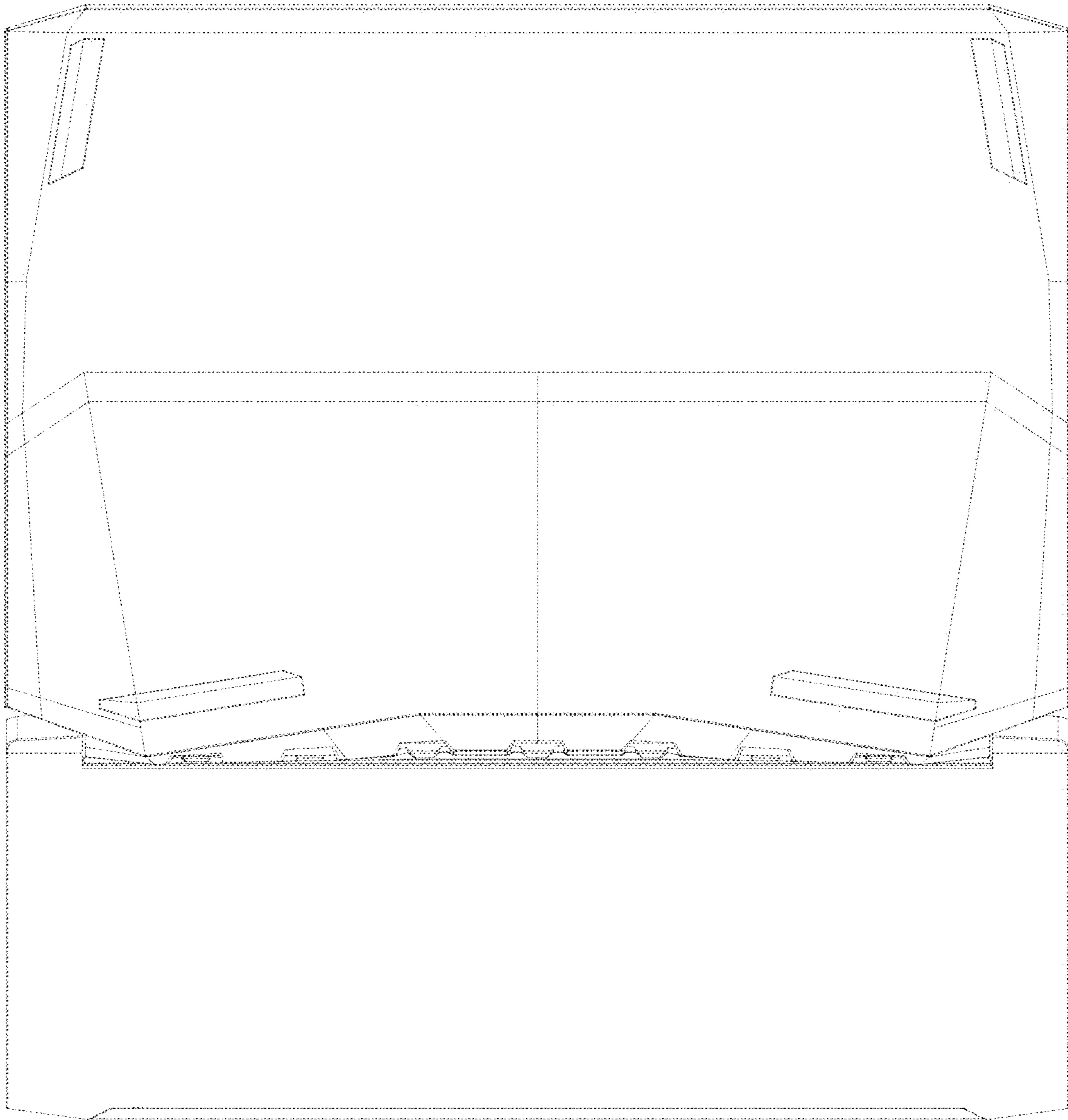


FIG. 7

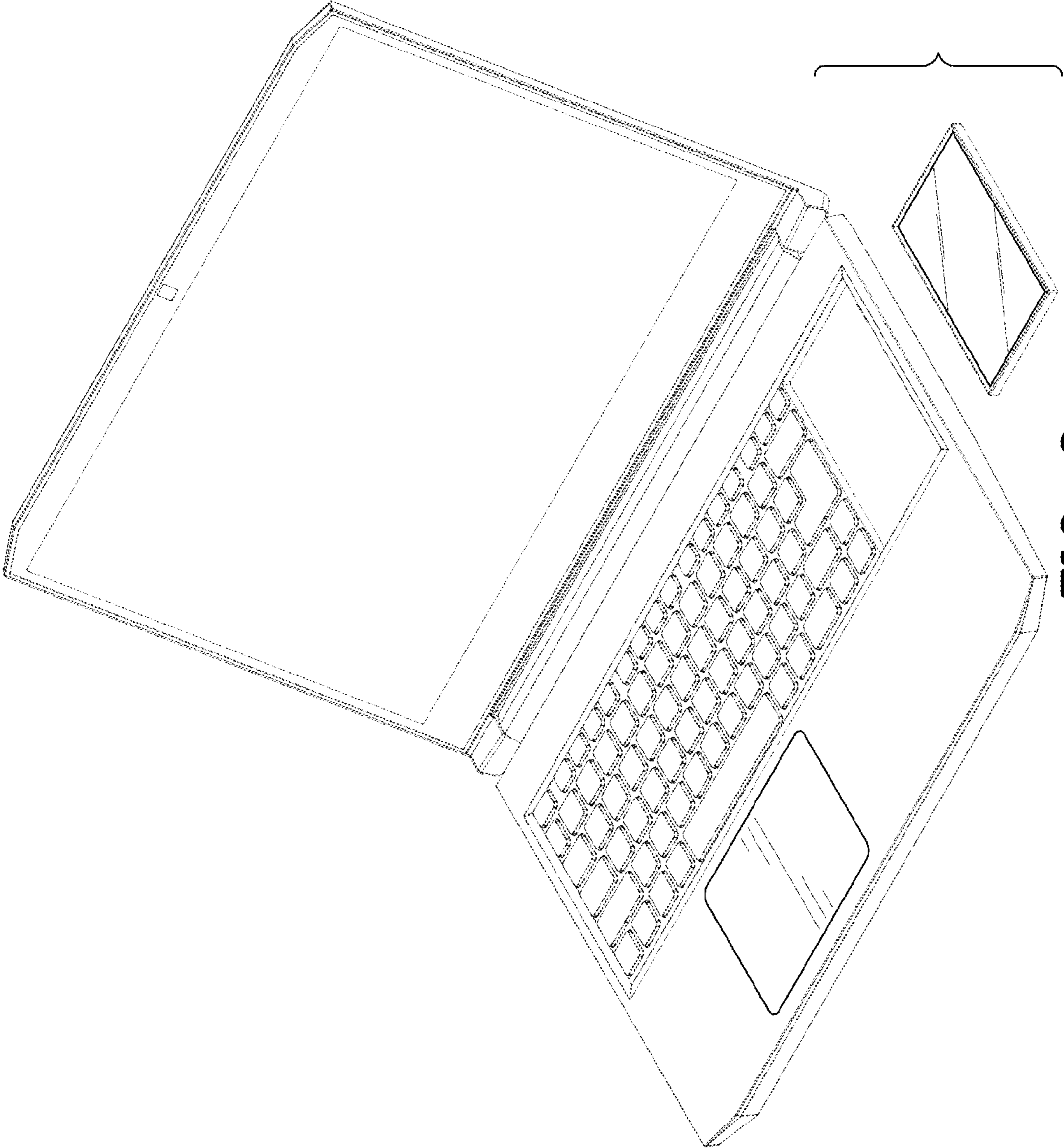


FIG. 8



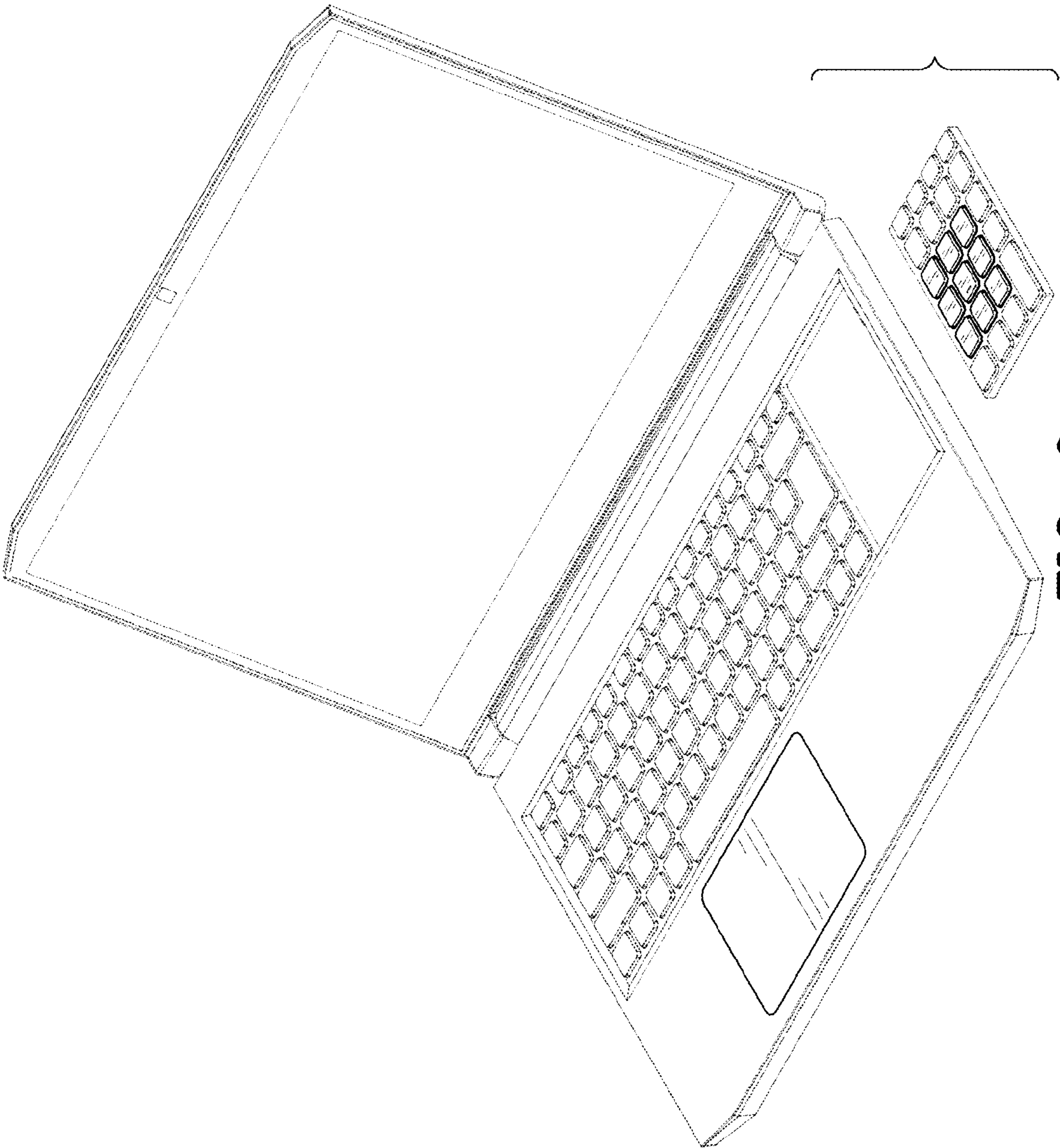


FIG. 9

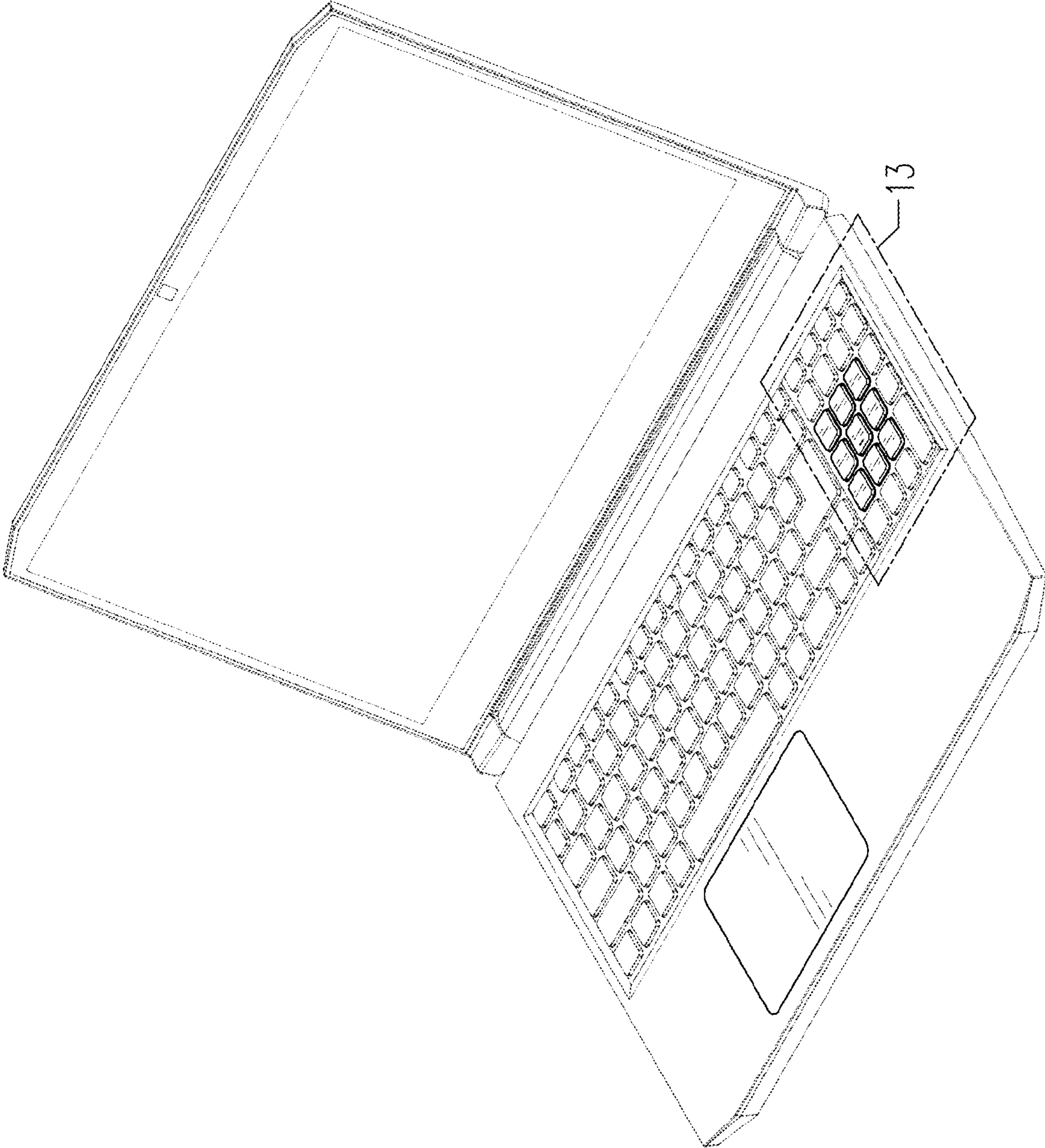


FIG. 10

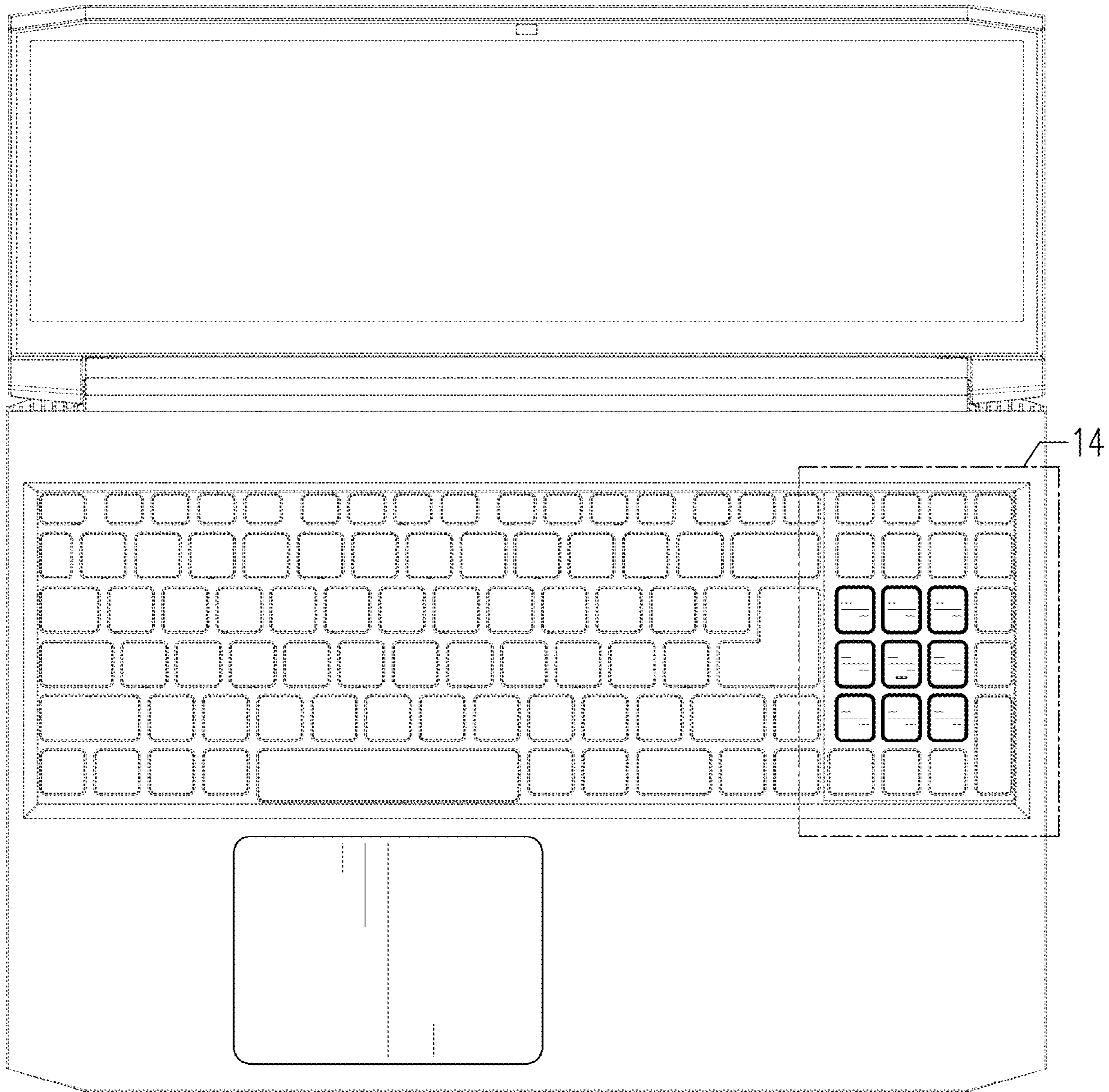


FIG. 11

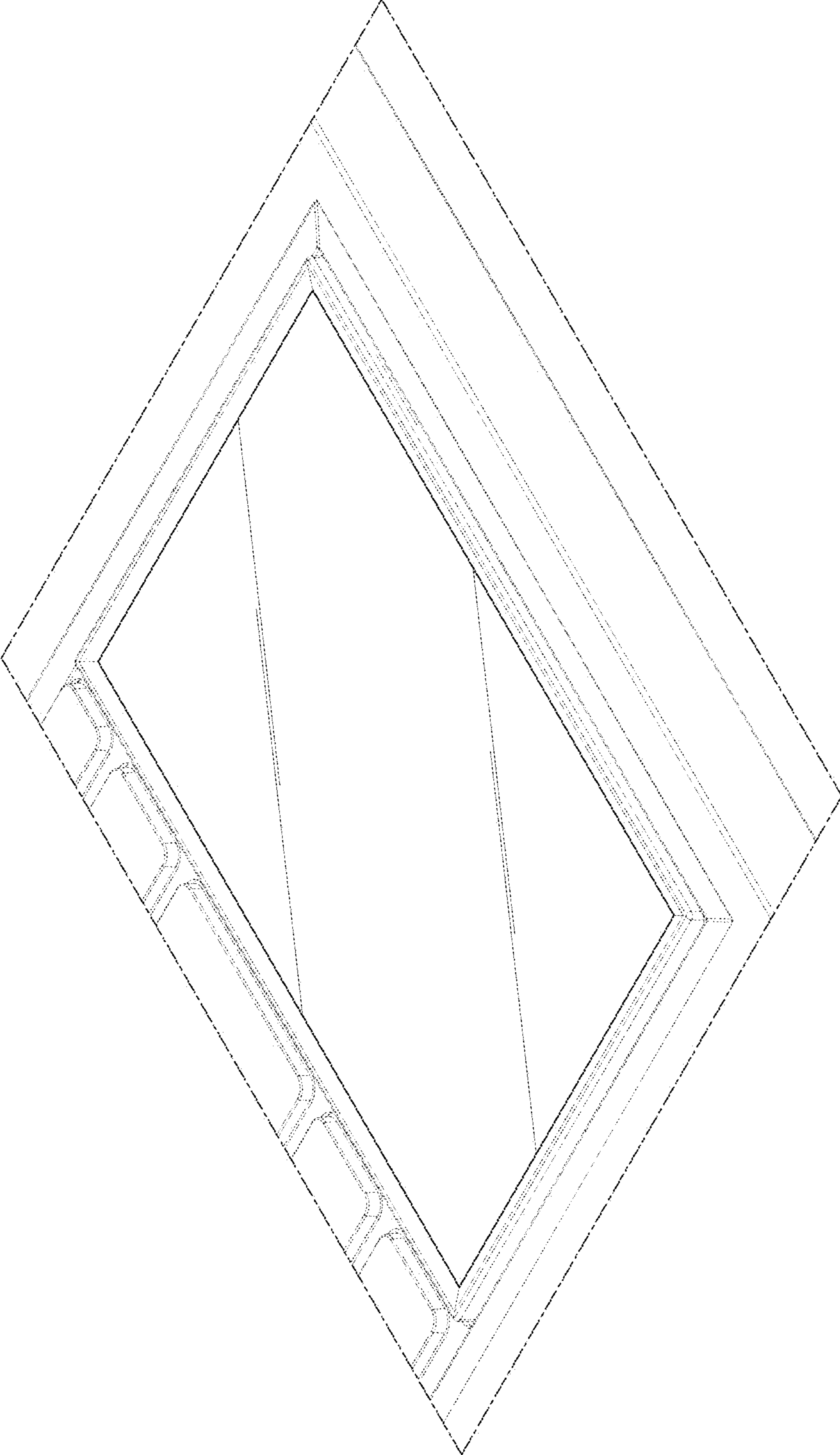


FIG. 12

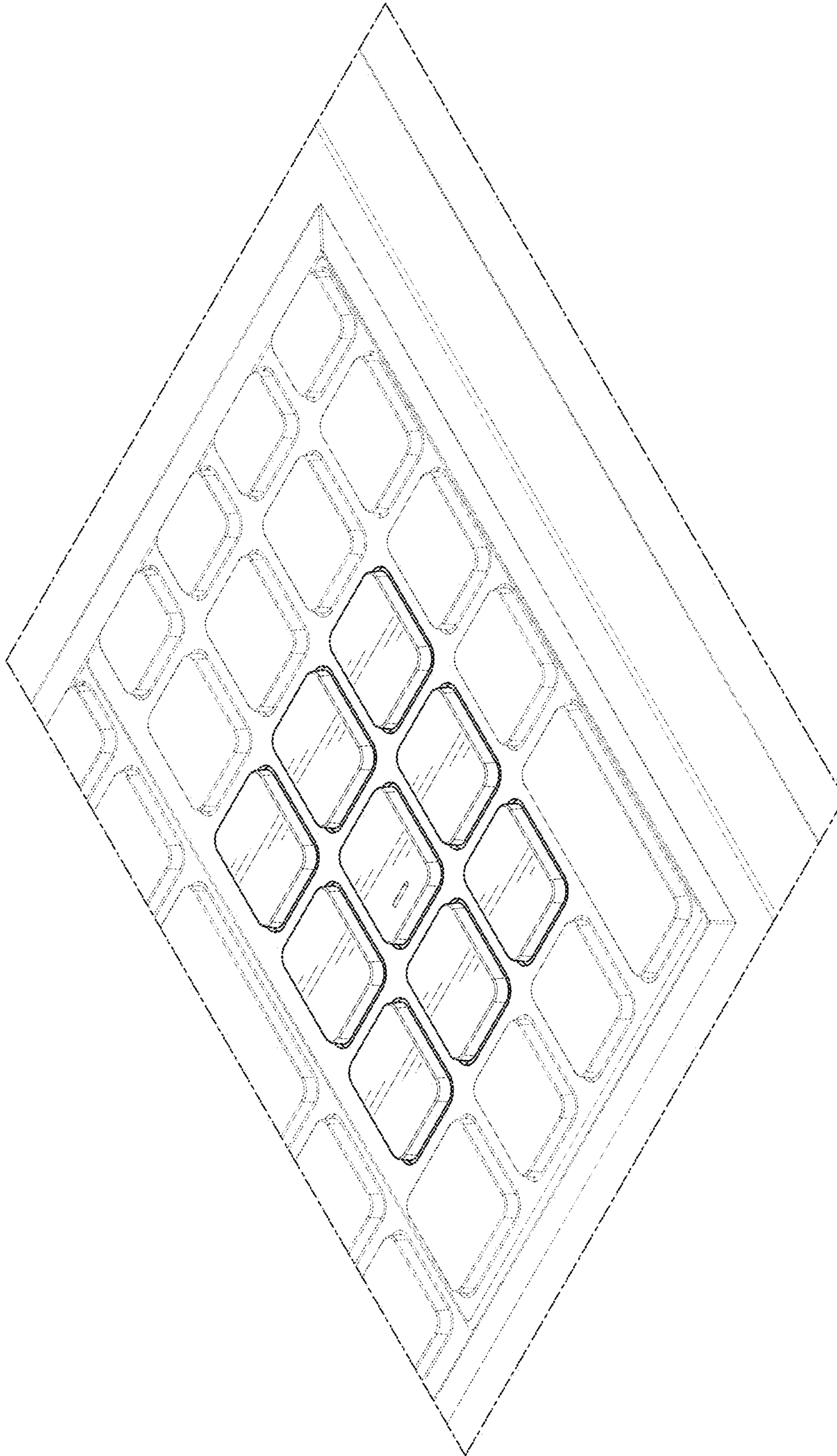


FIG. 13

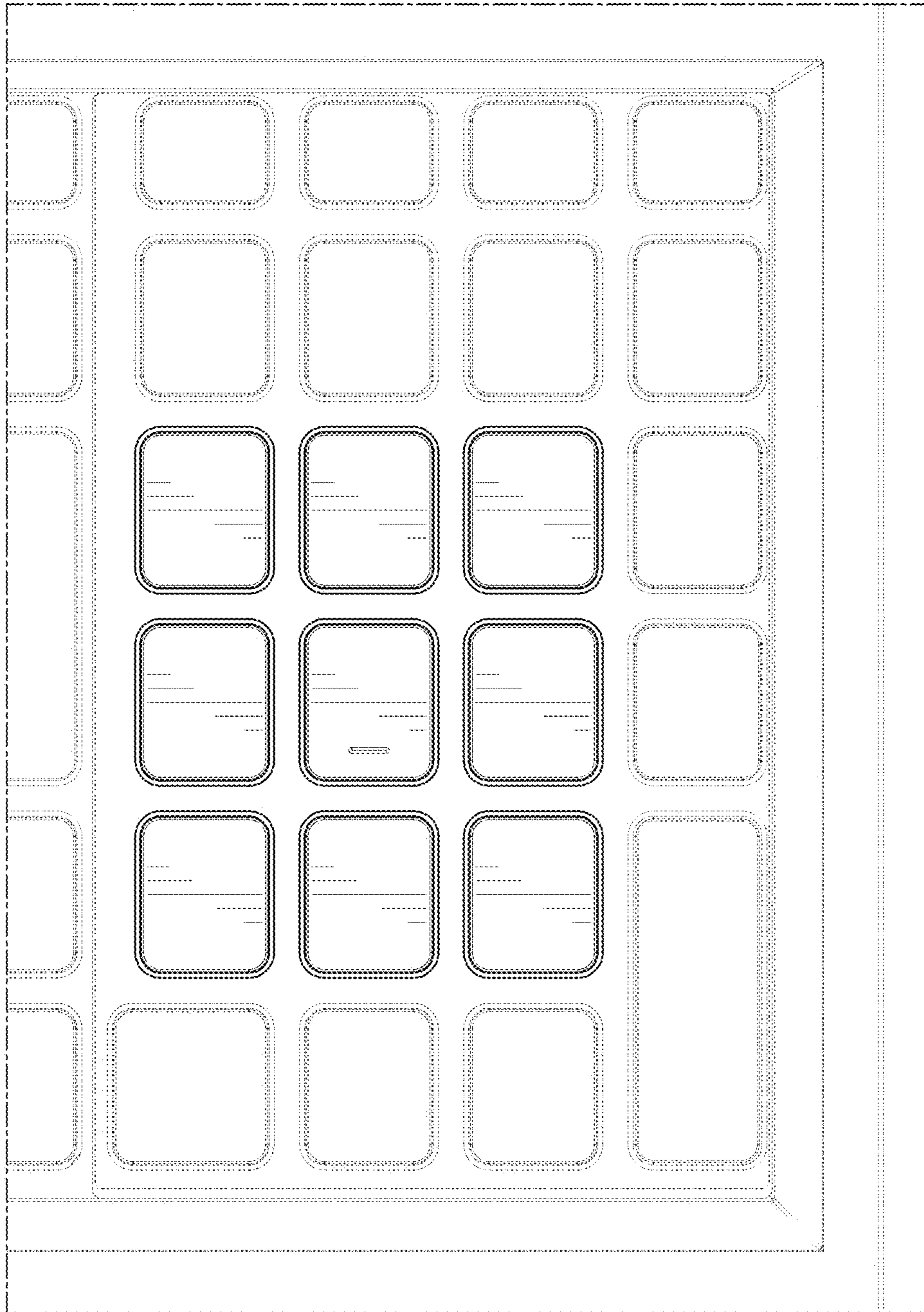


FIG. 14