



US00D975077S

(12) **United States Design Patent**
Wei

(10) **Patent No.:** **US D975,077 S**
(45) **Date of Patent:** **** Jan. 10, 2023**

- (54) **PHONE CASE**
- (71) Applicant: **Shenzhen Gumi Technology Co., LTD.**, Shenzhen (CN)
- (72) Inventor: **Zhaojian Wei**, Shenzhen (CN)
- (73) Assignee: **Shenzhen Gumi Technology Co., LTD.**, Shenzhen (CN)
- (**) Term: **15 Years**
- (21) Appl. No.: **29/797,517**
- (22) Filed: **Jun. 30, 2021**
- (51) **LOC (14) Cl.** **14-03**
- (52) **U.S. Cl.**
USPC **D14/250**
- (58) **Field of Classification Search**
USPC D14/203.3–203.7, 439, 251–253, 447,
D14/217, 240, 238.1, 440, 248, 250;
D13/103, 107–108, 119; D3/201, 218,
D3/247, 249, 269, 273, 301, 303
CPC H04B 1/3888; A45C 11/00; A45C 13/02;
A45C 2011/002; A45C 1/06; A45F
2200/0525; A45F 2005/026; A45F
2200/0516; H04M 1/0283; H04M 1/0202
See application file for complete search history.

- D709,871 S 7/2014 Lee et al.
- D717,782 S 11/2014 Lee et al.
- D722,952 S 2/2015 Hu et al.
- D723,535 S 3/2015 Minn et al.
- D725,660 S 3/2015 Trotsky
- D726,175 S 4/2015 Tsai et al.
- D728,663 S 5/2015 Russell
- D747,321 S * 1/2016 London D14/440
- D749,557 S 2/2016 Feng
- D755,772 S 5/2016 Sasaki et al.
- D756,980 S 5/2016 Beeman
- D765,069 S 8/2016 Jeffrey
- D775,619 S * 1/2017 Tien D14/250
- D788,092 S * 5/2017 Phang D14/250
- D790,526 S 6/2017 Babichenko
- D807,890 S * 1/2018 Roberts D14/440
- 10,117,505 B1 * 11/2018 Alvarez A45F 5/10
- D837,781 S * 1/2019 Ingram D14/250
- D843,364 S 3/2019 Sasaki et al.
- D847,807 S 5/2019 Wright et al.

(Continued)

Primary Examiner — Carla J Wright

(57) **CLAIM**

The ornamental design for a phone case, as shown and described.

DESCRIPTION

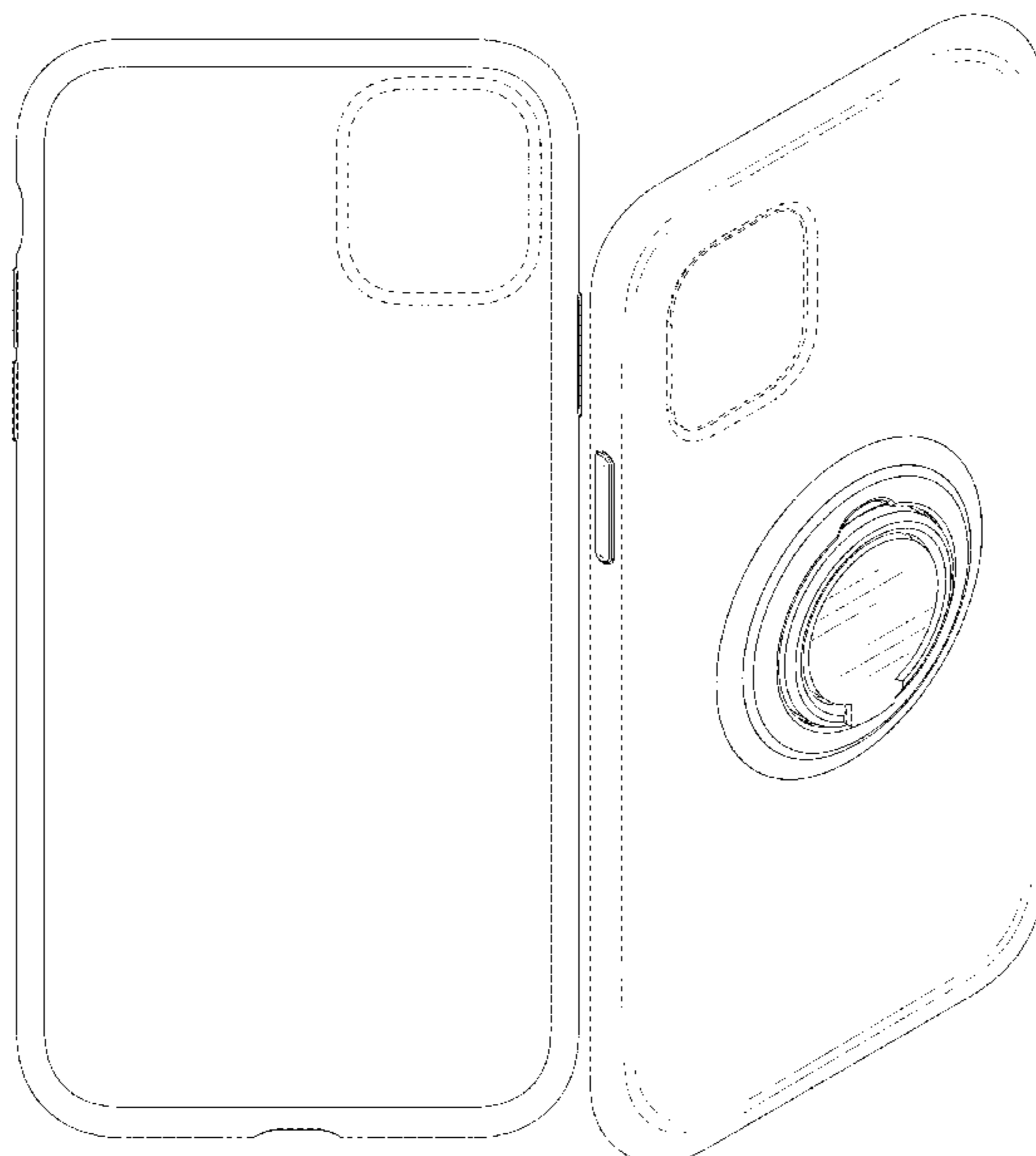
FIG. 1 is a front elevation view of a phone case showing my new design;
 FIG. 2 is a back elevation view thereof;
 FIG. 3 is a left-side view thereof;
 FIG. 4 is a right-side view thereof;
 FIG. 5 is a top plan view thereof;
 FIG. 6 is a bottom plan view thereof; and,
 FIG. 7 is a back, right-side, and top perspective view thereof.
 The broken lines form no part of the claimed design and depict portions of the phone case that form no part of the claimed design. The interior of the phone case that is shown in FIG. 1 forms no part of the claimed design.

1 Claim, 7 Drawing Sheets

(56) **References Cited**

U.S. PATENT DOCUMENTS

- D590,822 S * 4/2009 Leith D16/208
- D641,154 S * 7/2011 Smith D3/218
- D657,354 S 4/2012 Kim
- D660,305 S * 5/2012 Ho D14/447
- D671,933 S 12/2012 Rodgers
- D676,432 S 2/2013 Hasbrook et al.
- D685,363 S * 7/2013 Murchison D14/250
- D685,990 S 7/2013 Zhang
- D689,852 S 9/2013 Azoulay



(56)

References Cited

U.S. PATENT DOCUMENTS

D855,048 S * 7/2019 Kim D14/253
D863,281 S * 10/2019 Liu D14/250
D863,286 S * 10/2019 Hong D14/250
D865,746 S 11/2019 Tadesse
D866,546 S * 11/2019 Stillwell D14/251
D881,176 S * 4/2020 Hao D14/250
D885,376 S * 5/2020 He D3/218
D892,491 S * 8/2020 Feng D3/201
D898,728 S * 10/2020 Lin D14/250
D901,481 S * 11/2020 Ahn D14/250
D903,650 S * 12/2020 Huang D14/250
D904,386 S * 12/2020 Luo D3/218
D917,491 S * 4/2021 Cheng D14/440
2009/0090750 A1 * 4/2009 Alcenat A45F 5/00
224/101
2015/0122852 A1 * 5/2015 Feng A45C 11/00
224/191
2016/0039357 A1 * 2/2016 Jang F16M 13/00
224/567
2017/0055660 A1 * 3/2017 Tien A45C 11/00

* cited by examiner

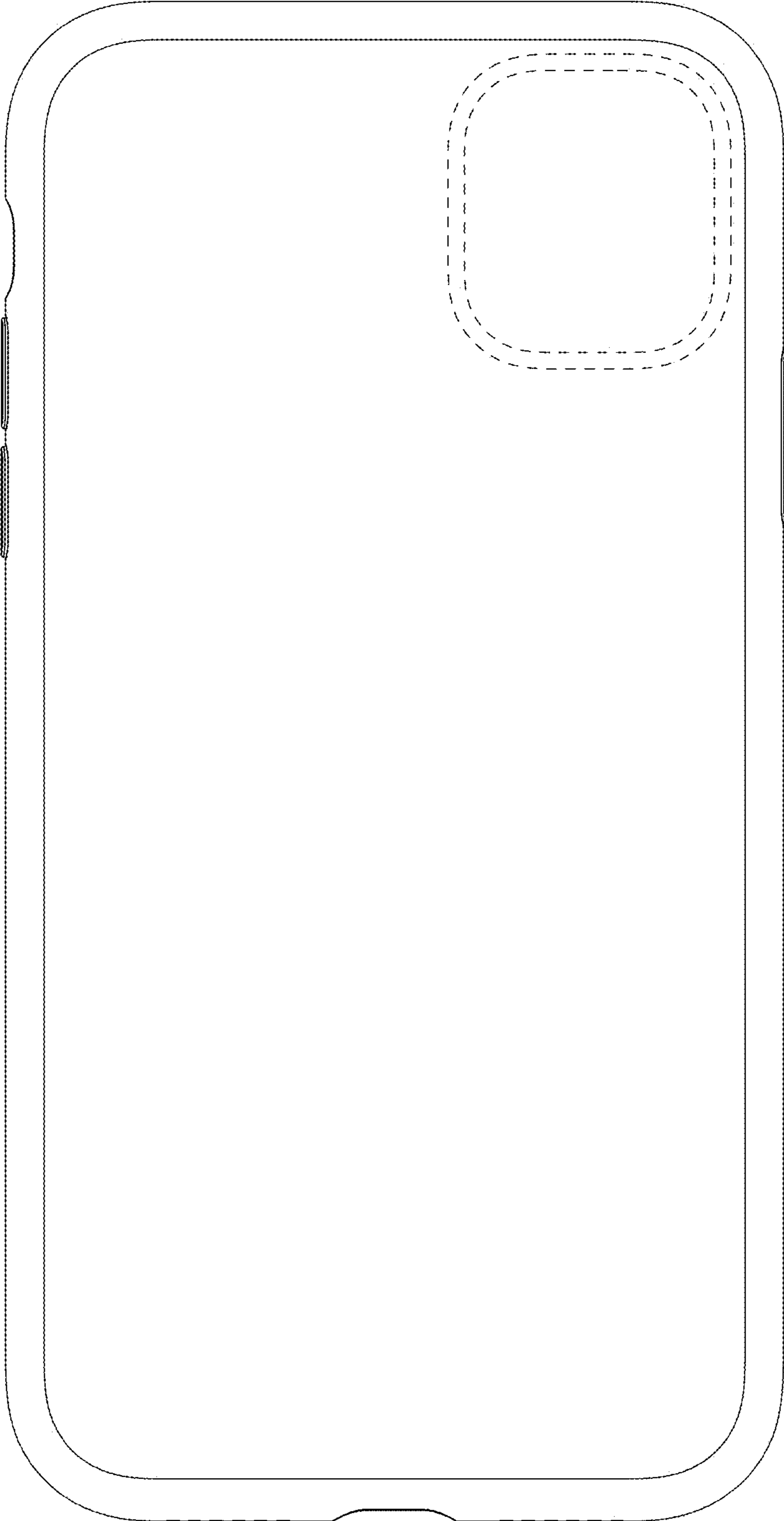


FIG. 1

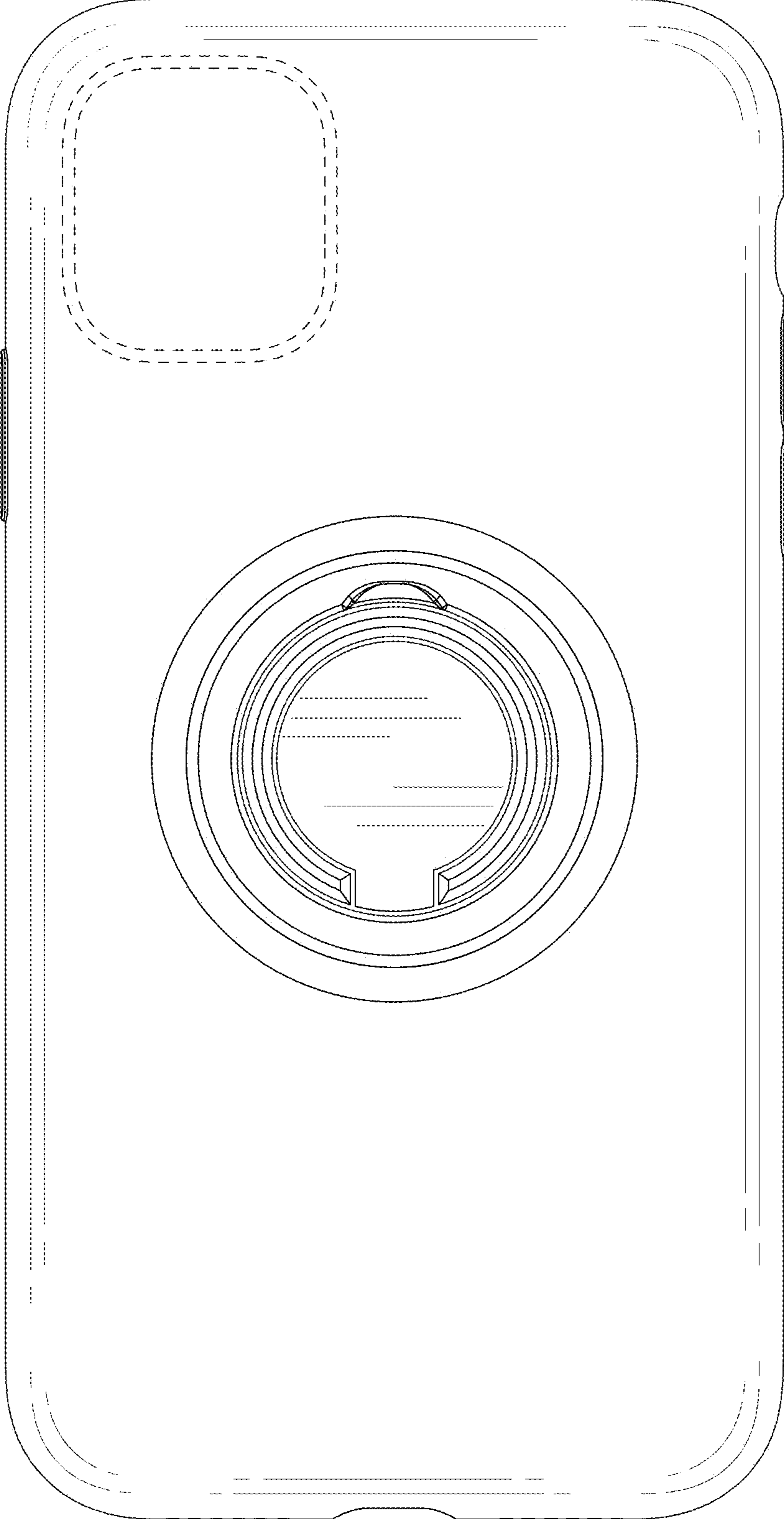


FIG. 2

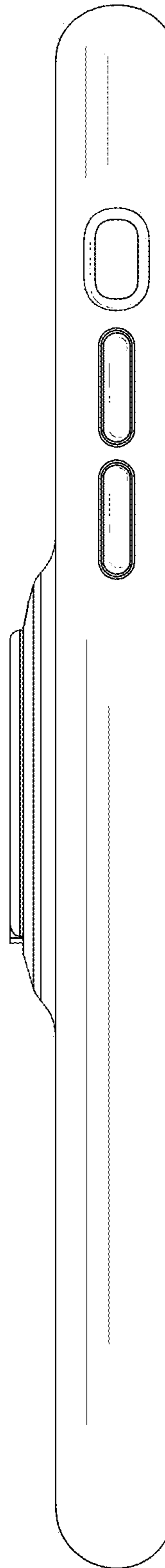


FIG. 3

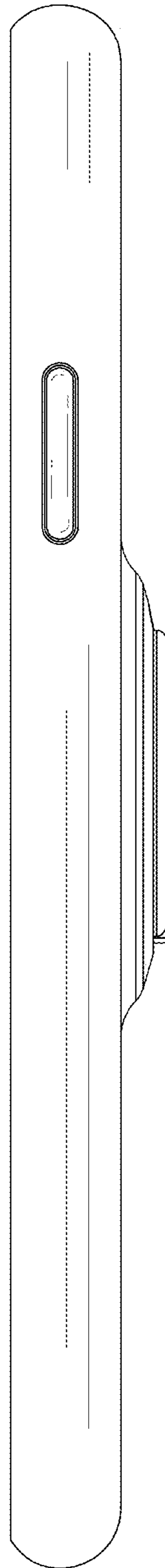


FIG. 4

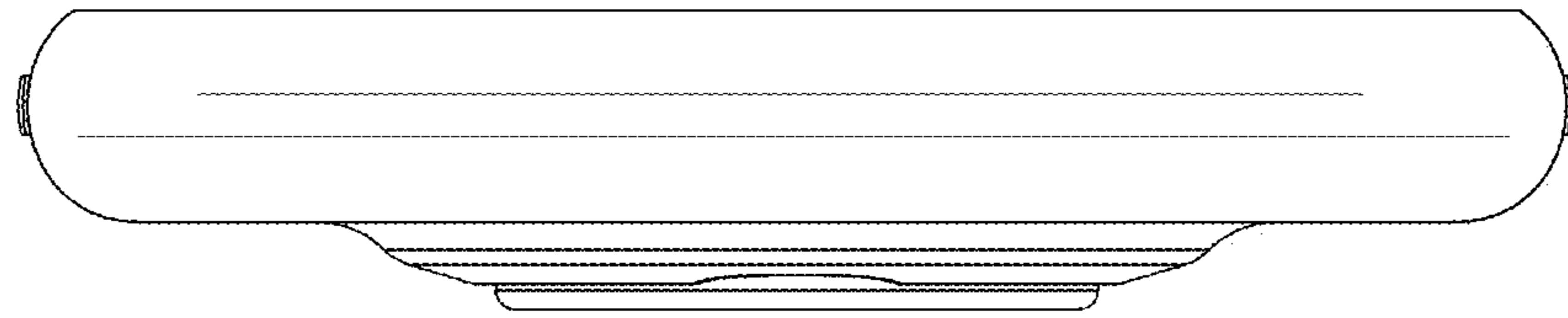


FIG. 5

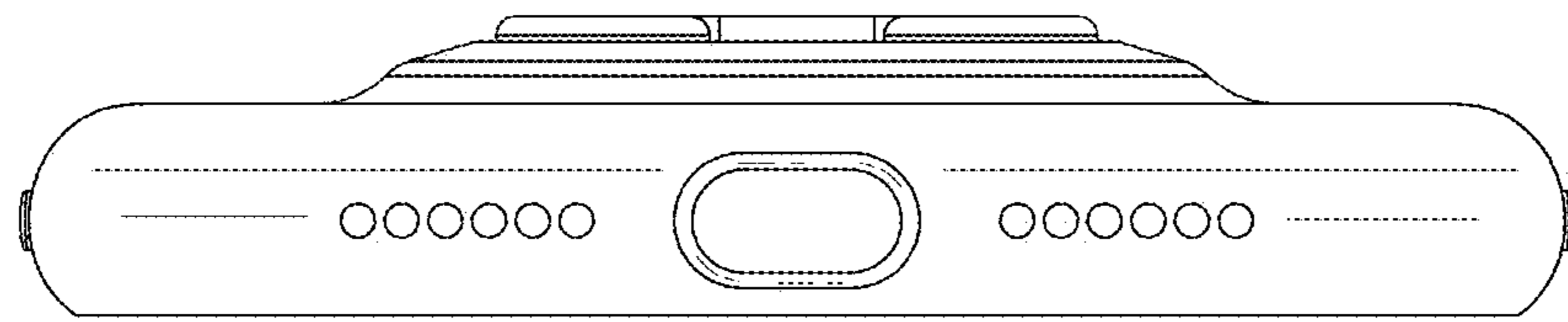


FIG. 6

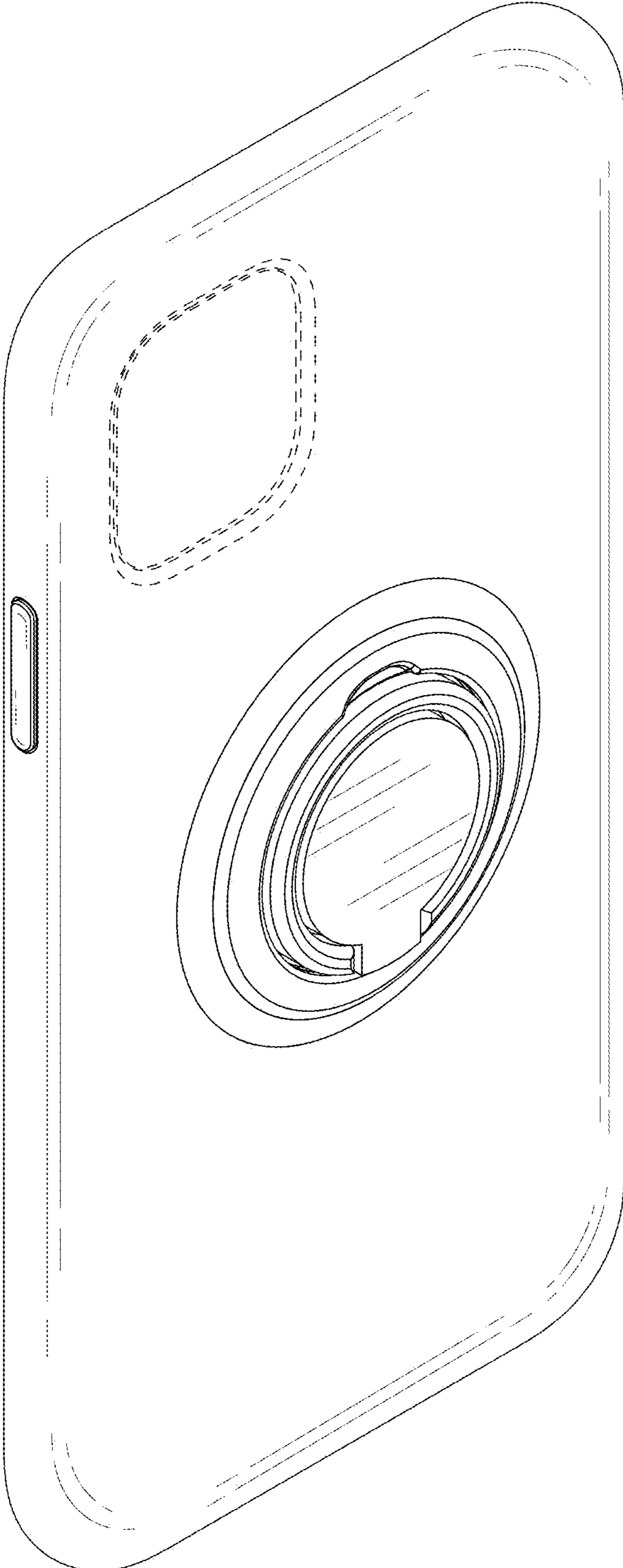


FIG. 7