



US00D975075S

(12) **United States Design Patent** (10) **Patent No.:** **US D975,075 S**  
**Lee et al.** (45) **Date of Patent:** **\*\* \*Jan. 10, 2023**

(54) **ELECTRONIC DEVICE**

FOREIGN PATENT DOCUMENTS

(71) Applicant: **Samsung Electronics Co., Ltd.**,  
Suwon-si (KR)

WO WO-D204130-001 \* 3/2019

(72) Inventors: **Seo Lee**, Suwon-si (KR); **Seungchan Lee**, Suwon-si (KR); **Sangchulmatt Lee**, Suwon-si (KR); **Hoon Han**, Suwon-si (KR); **Yunjeong Ji**, Suwon-si (KR); **Seonkeun Park**, Suwon-si (KR); **Duyeong Choi**, Suwon-si (KR)

OTHER PUBLICATIONS

TCL's concept device folds twice to fit a 10-inch screen in your pocket \_ Engadget, first available Mar. 5, 2020 [online], retrieved Apr. 19, 2022, available at URL: <https://www.engadget.com/2020-03-05-tcl-tri-fold-rollable-extendable-concept-hands-on.html> (Year: 2020).\*

(73) Assignee: **SAMSUNG ELECTRONICS CO., LTD.**, Suwon-si (KR)

*Primary Examiner* — Wendy L Arminio

*Assistant Examiner* — Carrie S Gelula

(\*) Notice: This patent is subject to a terminal disclaimer.

(74) *Attorney, Agent, or Firm* — McAndrews Held & Malloy, Ltd.

(\*\*) Term: **15 Years**

(57) **CLAIM**

The ornamental design for an electronic device, as shown and described.

(21) Appl. No.: **29/762,011**

(22) Filed: **Dec. 14, 2020**

**DESCRIPTION**

(30) **Foreign Application Priority Data**

Jun. 30, 2020 (KR) ..... 30-2020-0029787

Jun. 30, 2020 (KR) ..... 30-2020-0029788

(Continued)

(51) **LOC (14) Cl.** ..... **14-03**

(52) **U.S. Cl.**  
USPC ..... **D14/248**

(58) **Field of Classification Search**  
USPC ..... D14/127, 138 AA, 138 AB, 138 AC,  
D14/138 AD, 138 C, 138 R, 138 G, 203.4,  
(Continued)

FIG. 1 is a front perspective view of an electronic device showing our new design;  
FIG. 2 is a front elevation view thereof;  
FIG. 3 is a rear elevation view thereof;  
FIG. 4 is a left side elevation view thereof;  
FIG. 5 is a right side elevation view thereof;  
FIG. 6 is a top plan view thereof;  
FIG. 7 is a bottom plan view thereof;  
FIG. 8 is an enlarged view of the encircled portion in FIG. 1;  
FIG. 9 is an enlarged view of the encircled portion in FIG. 1; and,  
FIG. 10 is an enlarged view of the encircled portion in FIG. 3.

(56) **References Cited**

U.S. PATENT DOCUMENTS

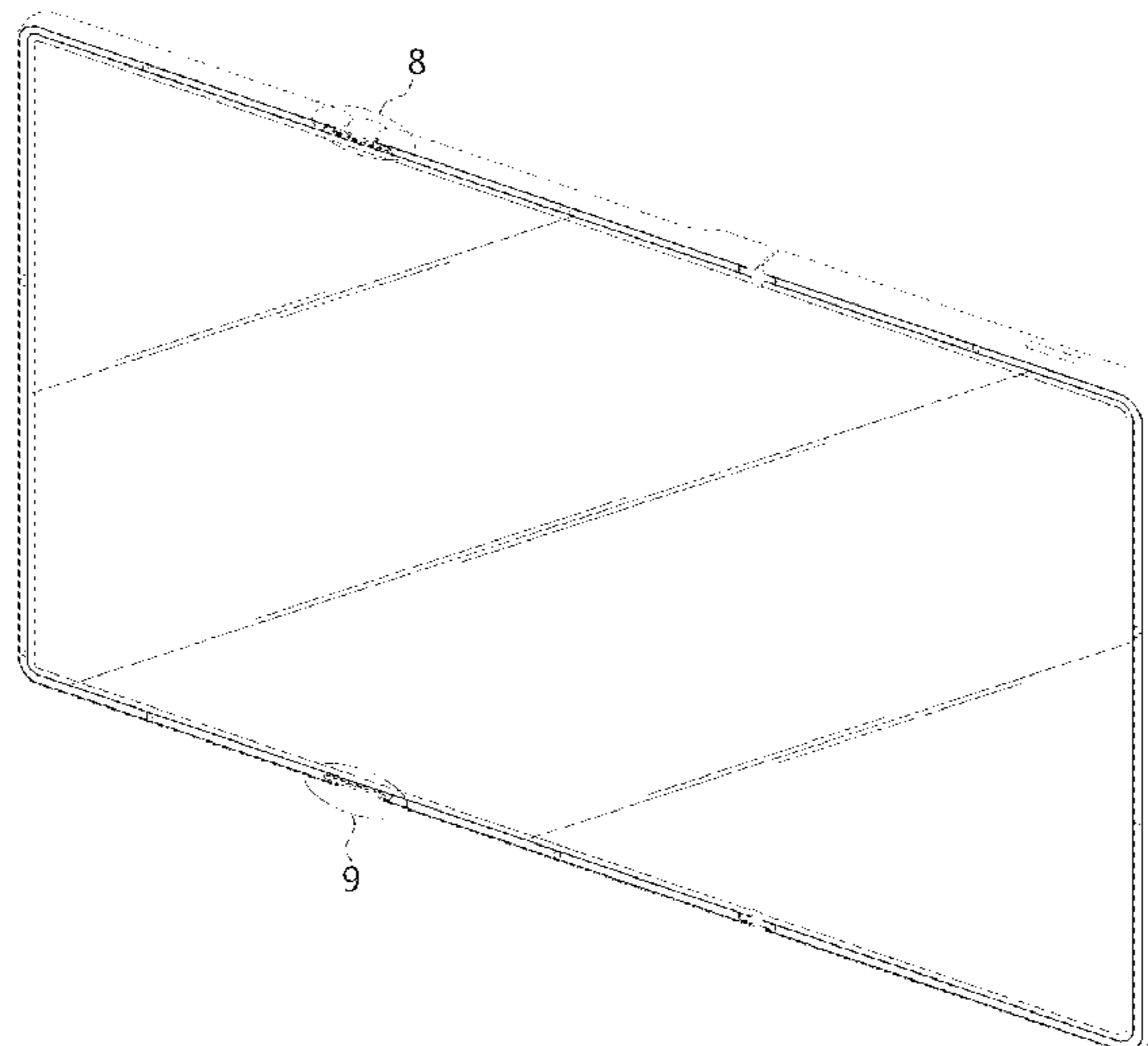
D594,028 S \* 6/2009 Fuchsberg ..... D14/496

D719,542 S \* 12/2014 Lee ..... D14/345

(Continued)

The short dash-dash broken lines in the figures illustrate portions of the electronic device that form no part of the claimed design. The dot-dot-dash broken lines encircling portions of the claimed design that are illustrated in enlargements form no part of the claimed design.

**1 Claim, 7 Drawing Sheets**



(30) Foreign Application Priority Data

Jun. 30, 2020 (KR) ..... 30-2020-0029789  
 Jun. 30, 2020 (KR) ..... 30-2020-0029791  
 Jun. 30, 2020 (KR) ..... 30-2020-0029863  
 Jun. 30, 2020 (KR) ..... 30-2020-0029864  
 Jun. 30, 2020 (KR) ..... 30-2020-0029865  
 Jun. 30, 2020 (KR) ..... 30-2020-0029867  
 Jun. 30, 2020 (KR) ..... 30-2020-0029869  
 Jun. 30, 2020 (KR) ..... 30-2020-0029871  
 Jun. 30, 2020 (KR) ..... 30-2020-0029874

(58) Field of Classification Search

USPC ..... D14/214, 248, 250, 315-318, 330, 341,  
 D14/342, 345-347, 373, 426; D21/330  
 CPC .... G06F 1/1652; G06F 1/1641; G06F 1/1647;  
 H04M 1/0268

See application file for complete search history.

(56) References Cited

U.S. PATENT DOCUMENTS

8,971,029 B2 \* 3/2015 Wong ..... G06F 1/1681  
 361/679.04  
 D757,723 S \* 5/2016 Kwak ..... D14/345

D768,624 S \* 10/2016 Bae ..... D14/374  
 D775,601 S \* 1/2017 Lee ..... D14/138 AB  
 D775,602 S \* 1/2017 Lee ..... D14/138 AB  
 9,619,061 B2 \* 4/2017 Lee ..... G06F 1/1626  
 D788,773 S \* 6/2017 Seo ..... D14/345  
 D790,537 S \* 6/2017 Bae ..... D14/138 AB  
 9,857,849 B1 \* 1/2018 Siddiqui ..... G06F 1/1618  
 D819,628 S \* 6/2018 Park ..... D14/248  
 D828,318 S \* 9/2018 Seo ..... D14/138 AB  
 D833,431 S \* 11/2018 Bae ..... D14/345  
 D894,145 S \* 8/2020 Lee ..... D14/138 AB  
 D897,302 S \* 9/2020 Lee ..... D14/138 AB  
 D910,009 S \* 2/2021 Wu ..... D14/341  
 D910,622 S \* 2/2021 Lee ..... D14/341  
 D913,282 S \* 3/2021 Song ..... D14/371  
 D920,272 S \* 5/2021 Lee ..... D14/138 AB  
 D922,974 S \* 6/2021 Bae ..... D14/345  
 11,178,264 B2 \* 11/2021 Kim ..... H04M 1/0241  
 D947,843 S \* 4/2022 Bae ..... D14/345  
 D953,283 S \* 5/2022 Chen ..... D14/341  
 D953,316 S \* 5/2022 Lee ..... D14/248  
 D955,381 S \* 6/2022 Yamazaki ..... D14/345  
 11,402,877 B2 \* 8/2022 Sagen ..... G06F 1/1681  
 2011/0241998 A1 \* 10/2011 McKinney ..... H04M 1/0247  
 345/204

\* cited by examiner

FIG. 1

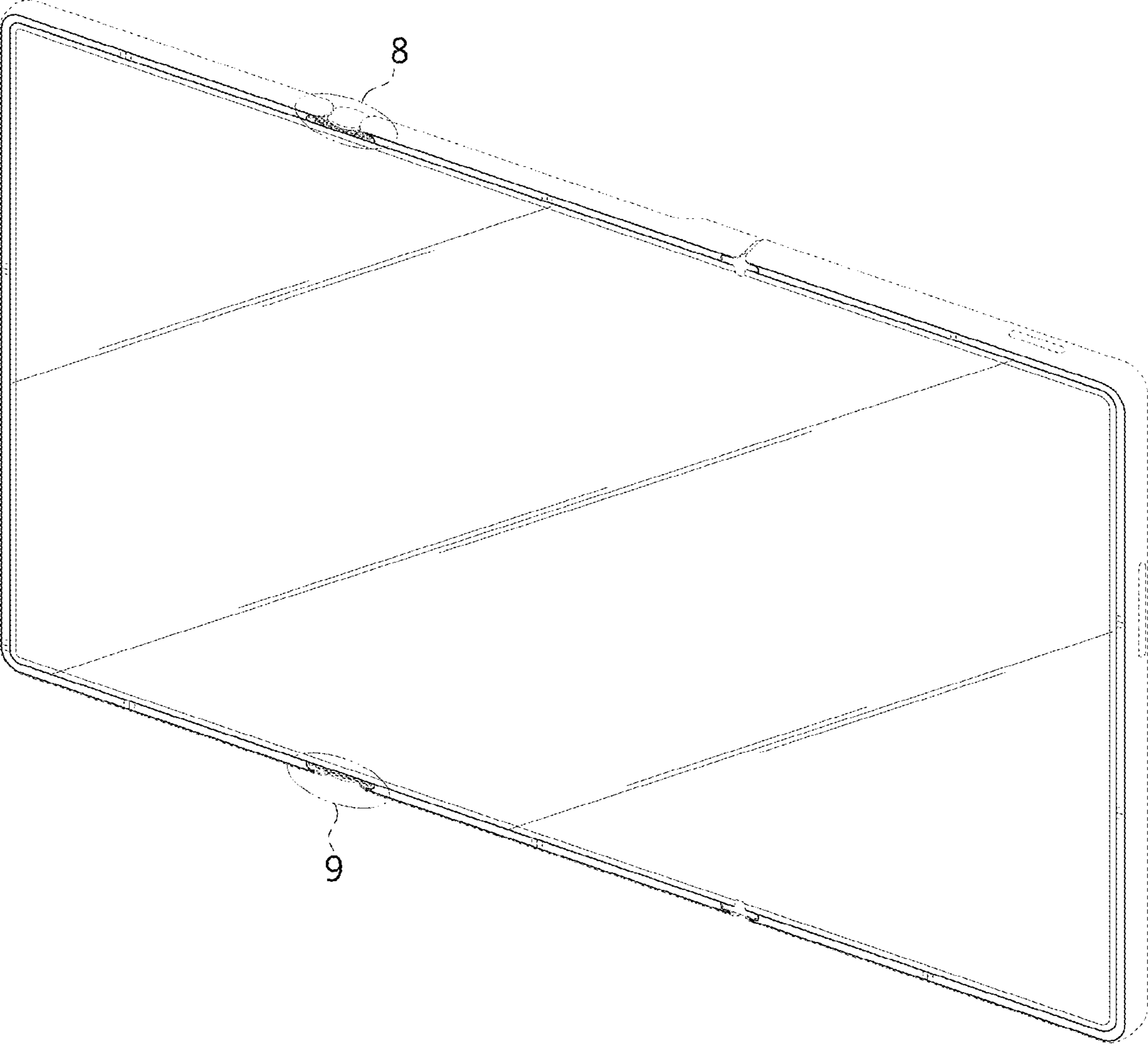


FIG. 2

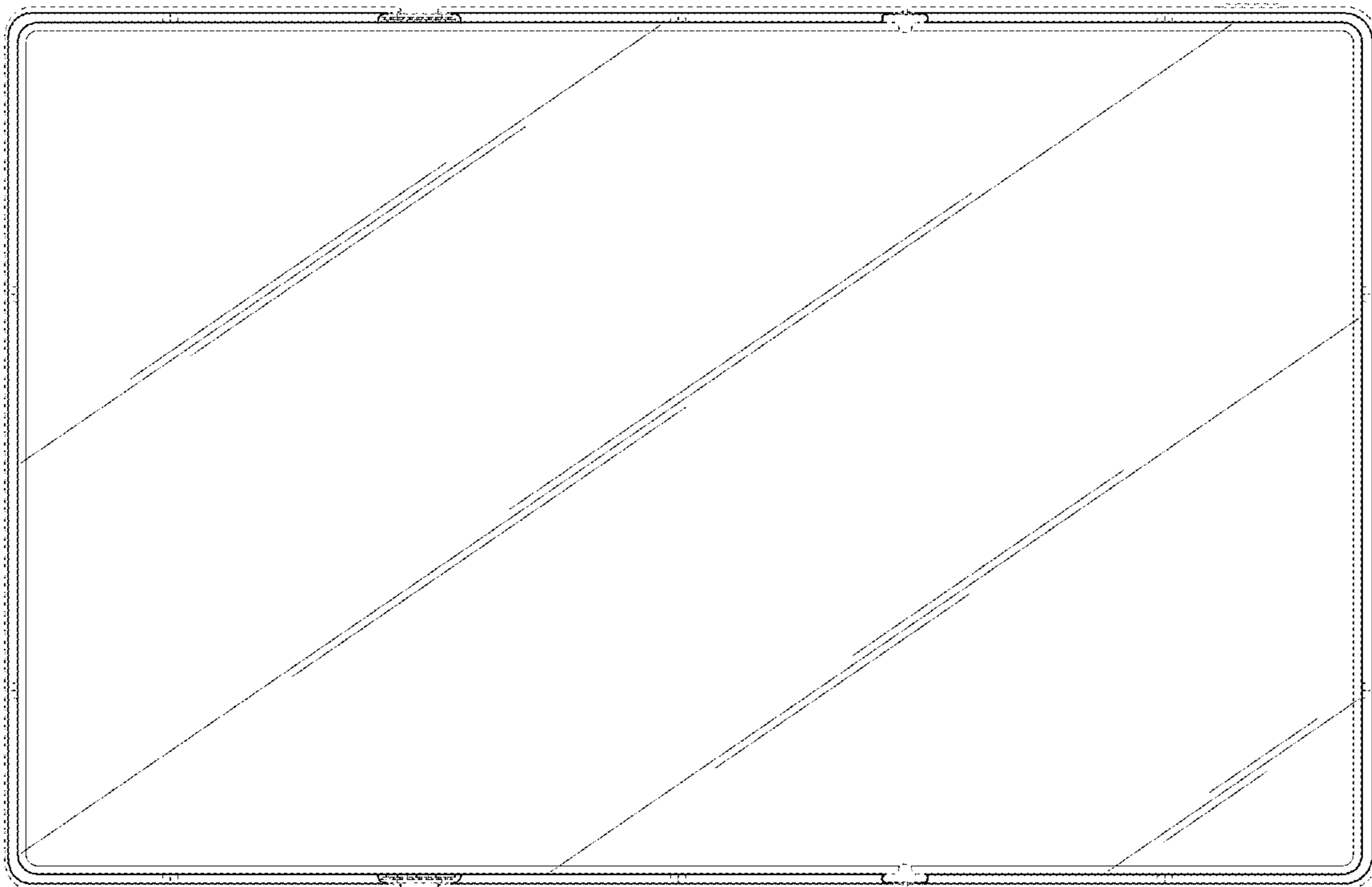


FIG. 3

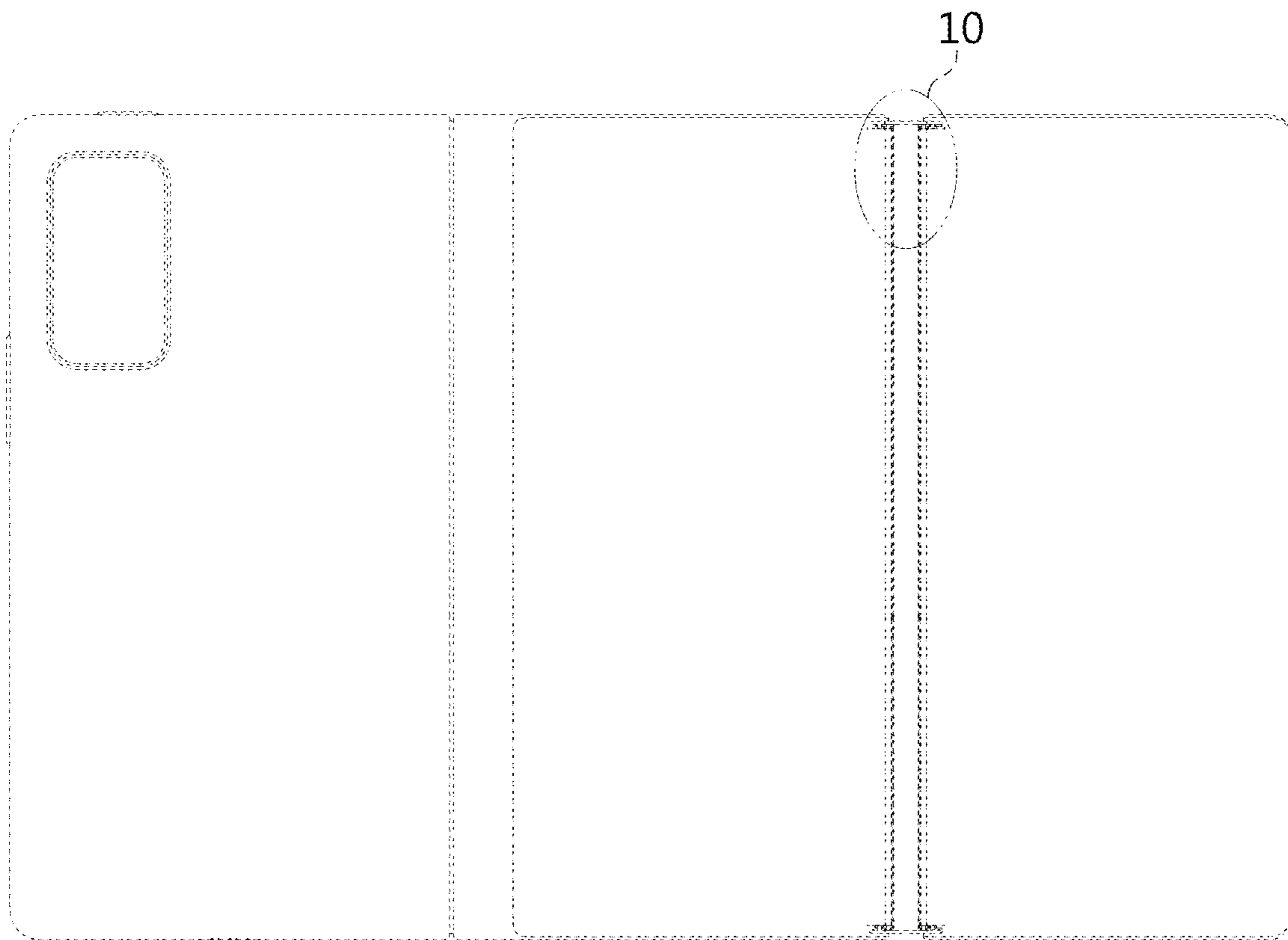


FIG. 4

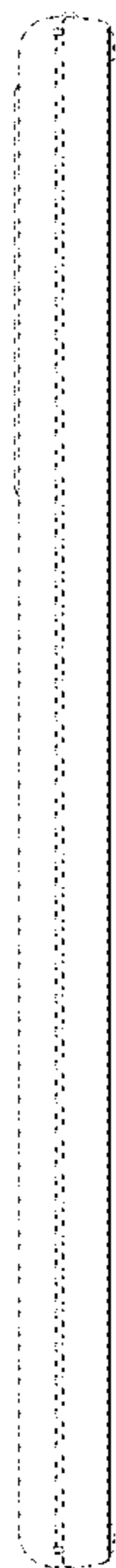


FIG. 5





FIG. 6

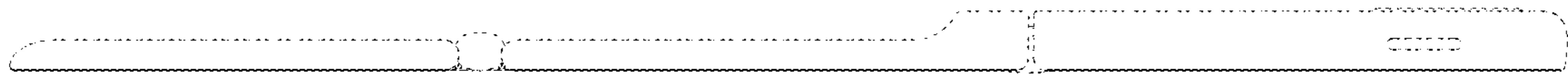


FIG. 7

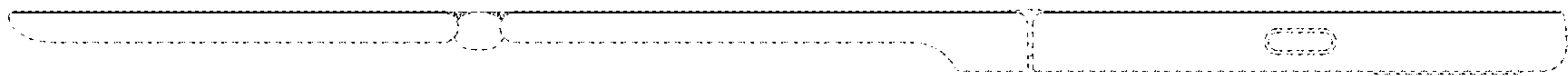


FIG. 8

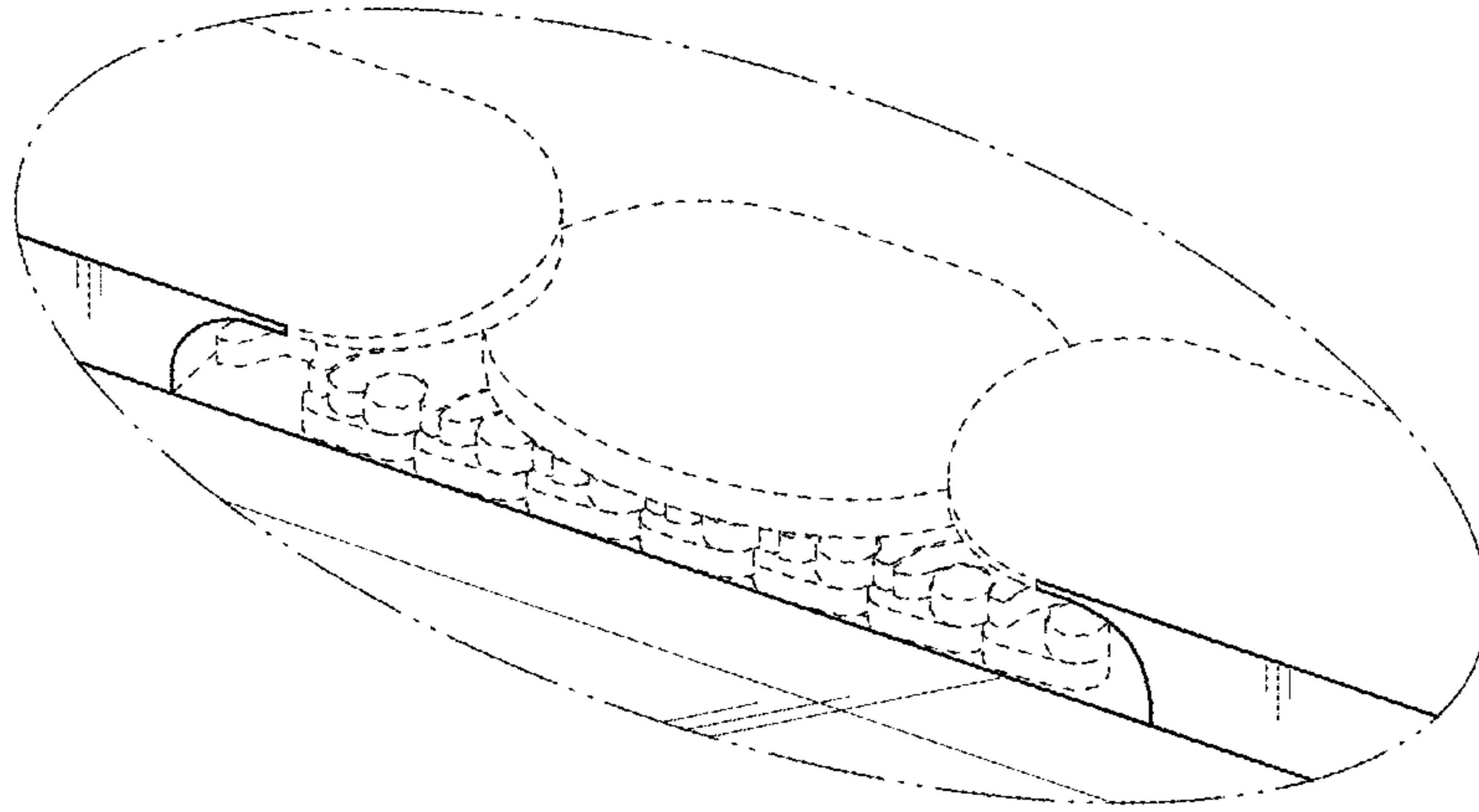


FIG. 9

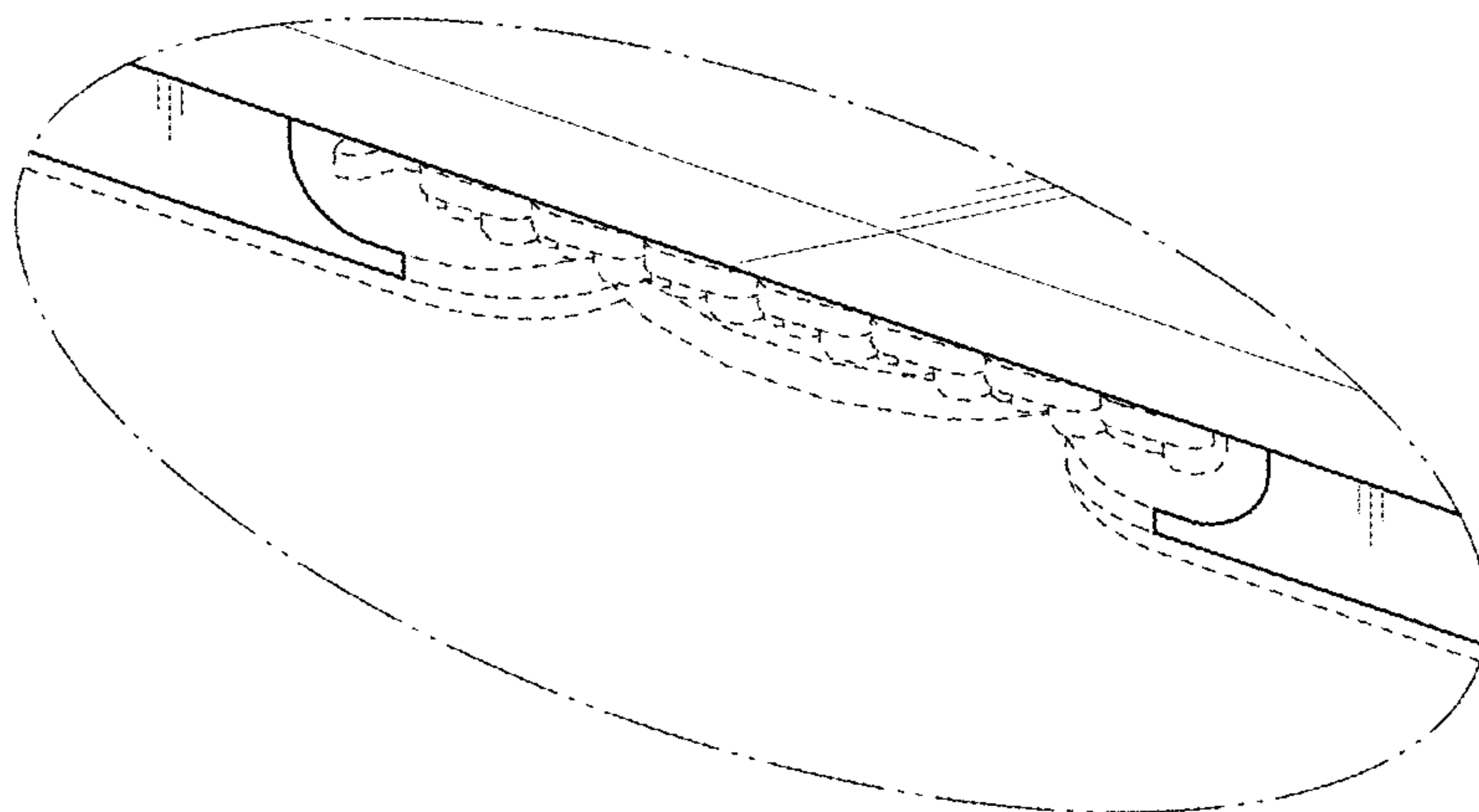




FIG. 10

