



US00D975073S

(12) **United States Design Patent**
Lee et al.

(10) **Patent No.: US D975,073 S**
(45) **Date of Patent: ** Jan. 10, 2023**

(54) **TELEVISION RECEIVER**

D628,578 S * 12/2010 Chou D14/451
D681,647 S * 5/2013 Choi D14/451
D728,497 S * 5/2015 Jung D14/126

(71) Applicant: **LG ELECTRONICS INC.**, Seoul
(KR)

(Continued)

(72) Inventors: **Nari Lee**, Seoul (KR); **Woosuk Park**,
Seoul (KR); **Sangik Lee**, Seoul (KR)

OTHER PUBLICATIONS

LG made a battery-powered TV that you can wheel around on a stand (LG StanbyME and Objet tv), publication date Dec. 13, 2021, [online] URL: <https://www.theverge.com/2021/12/13/22832356/lg-stanby-me-portable-tv-objet-announced-design-specs> (Year: 2021).*

(73) Assignee: **LG ELECTRONICS INC.**, Seoul
(KR)

(Continued)

(**) Term: **15 Years**

Primary Examiner — L. A. Grabenstetter

(21) Appl. No.: **35/512,571**

(74) *Attorney, Agent, or Firm* — Birch, Stewart, Kolasch & Birch, LLP

(22) Filed: **Mar. 16, 2021**

(80) **Hague Agreement Data**

(57) **CLAIM**

Int. Filing Date: **Mar. 16, 2021**

The ornamental design for a television receiver, as shown and described.

Int. Reg. No.: **DM/213438**

Int. Reg. Date: **Mar. 16, 2021**

Int. Reg. Pub. Date: **Sep. 17, 2021**

DESCRIPTION

(30) **Foreign Application Priority Data**

Sep. 23, 2020 (KR) 30-2020-0045955

(51) **LOC (14) Cl.** **14-03**

(52) **U.S. Cl.**
USPC **D14/239**

(58) **Field of Classification Search**
USPC D14/125–129, 132, 300, 308, 310, 316,
D14/336, 357, 371, 375–380, 451, 452,
D14/239; D26/93
CPC G06F 1/1601; G06F 1/1605; G06F 1/162
See application file for complete search history.

- 1. Television receiver
- 1.1 : Front perspective view
- 1.2 : Rear perspective view
- 1.3 : Front view
- 1.4 : Rear view
- 1.5 : Left view
- 1.6 : Right view
- 1.7 : Top view
- 1.8 : Bottom view
- 1.9 : Front view, shown with the display panel in a rotated position
- 1.10 : Right view, shown with the hinge portion of the display panel in an alternate position
- 1.11 : Top view, shown with the hinge portion of the display panel in an alternate position

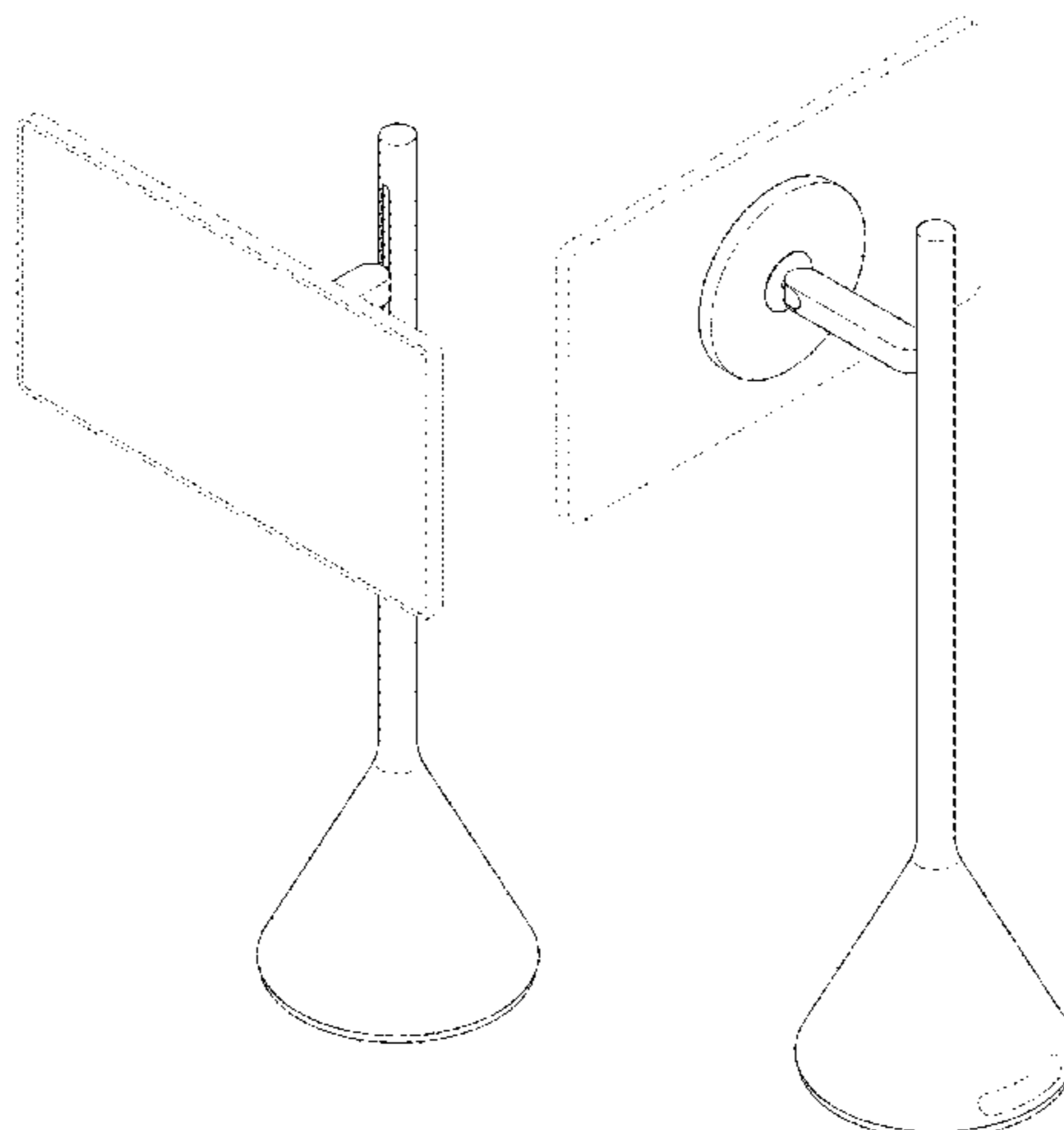
The subject design is a combined form between a display panel with a speaker and a stand through a dual hinge which allows the display panel and the stand to move up and down,

(Continued)

(56) **References Cited**

U.S. PATENT DOCUMENTS

D595,512 S * 7/2009 Chen D14/371
D624,894 S * 10/2010 Kasuga D14/126



rotate and lift; the broken lines indicate portions of the article that form no part of the claimed design.

1 Claim, 11 Drawing Sheets

(56)

References Cited

U.S. PATENT DOCUMENTS

D729,971	S	*	5/2015	Salojarvi	D26/104
D733,159	S	*	6/2015	Jung	D14/451
D748,079	S	*	1/2016	Dinsdale	D14/230
D755,302	S	*	5/2016	Jansen	D20/41
D773,106	S	*	11/2016	Feit	D26/110
D798,253	S	*	9/2017	Kim	D14/126
D819,615	S	*	6/2018	Lee	D14/126
D851,066	S	*	6/2019	Hsu	D14/209.1
D860,213	S	*	9/2019	Sheng	D14/341
D888,321	S	*	6/2020	Smrstick	D26/93
D941,288	S	*	1/2022	Bhat	D14/336

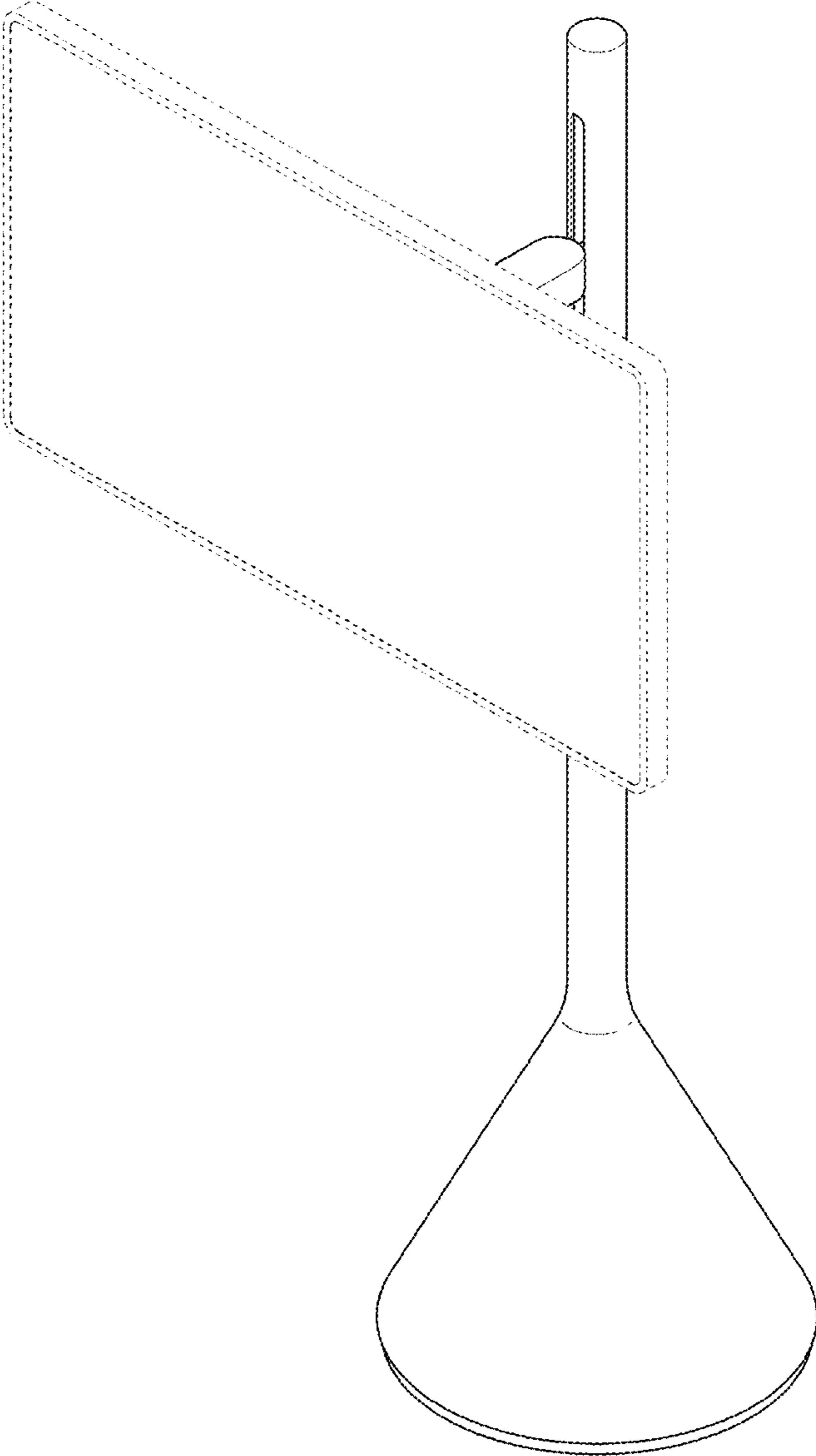
OTHER PUBLICATIONS

Samsung launches artsy new TVs in Paris (Gravity television stand), publication date Mar. 15, 2017, [online] URL: <https://www.gadgetmatch.com/samsung-qlcd-tv-the-frame-paris-launch/> (Year: 2017).*

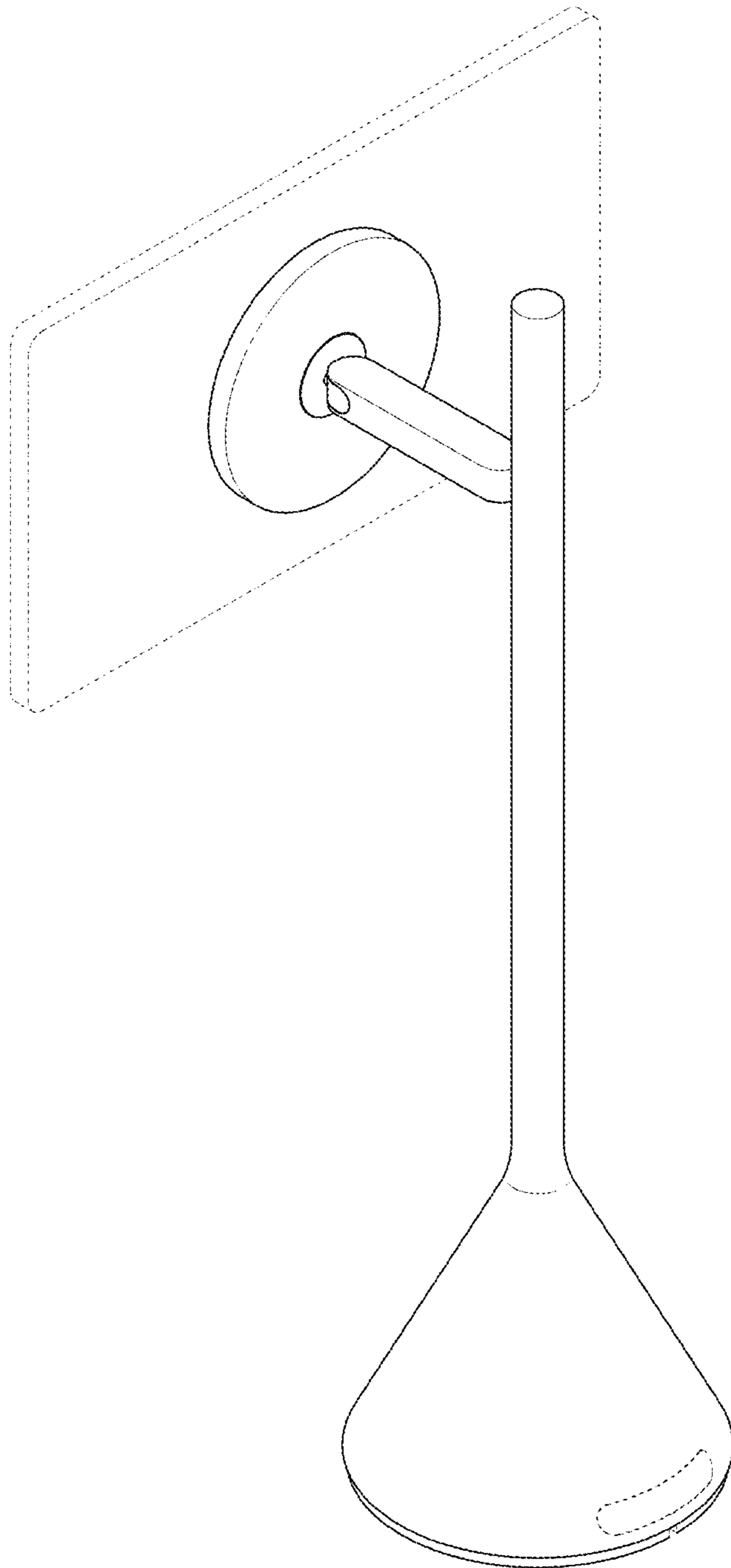
Jacques Adnet, floor lamp, publication date Dec. 8, 2016, [online] URL: <https://www.wright20.com/auctions/2016/12/design/296> (Year: 2016).*

* cited by examiner

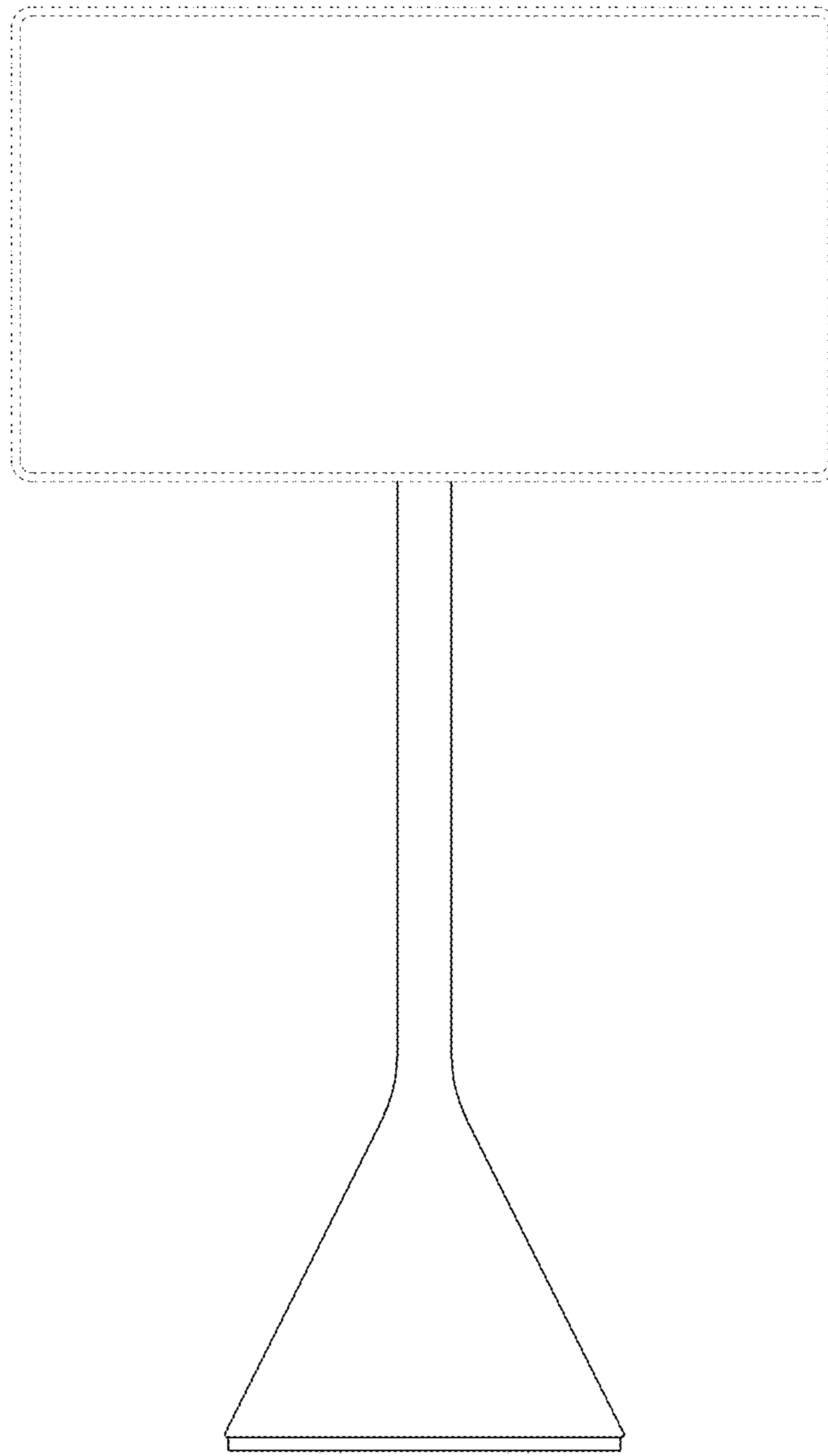
1.1



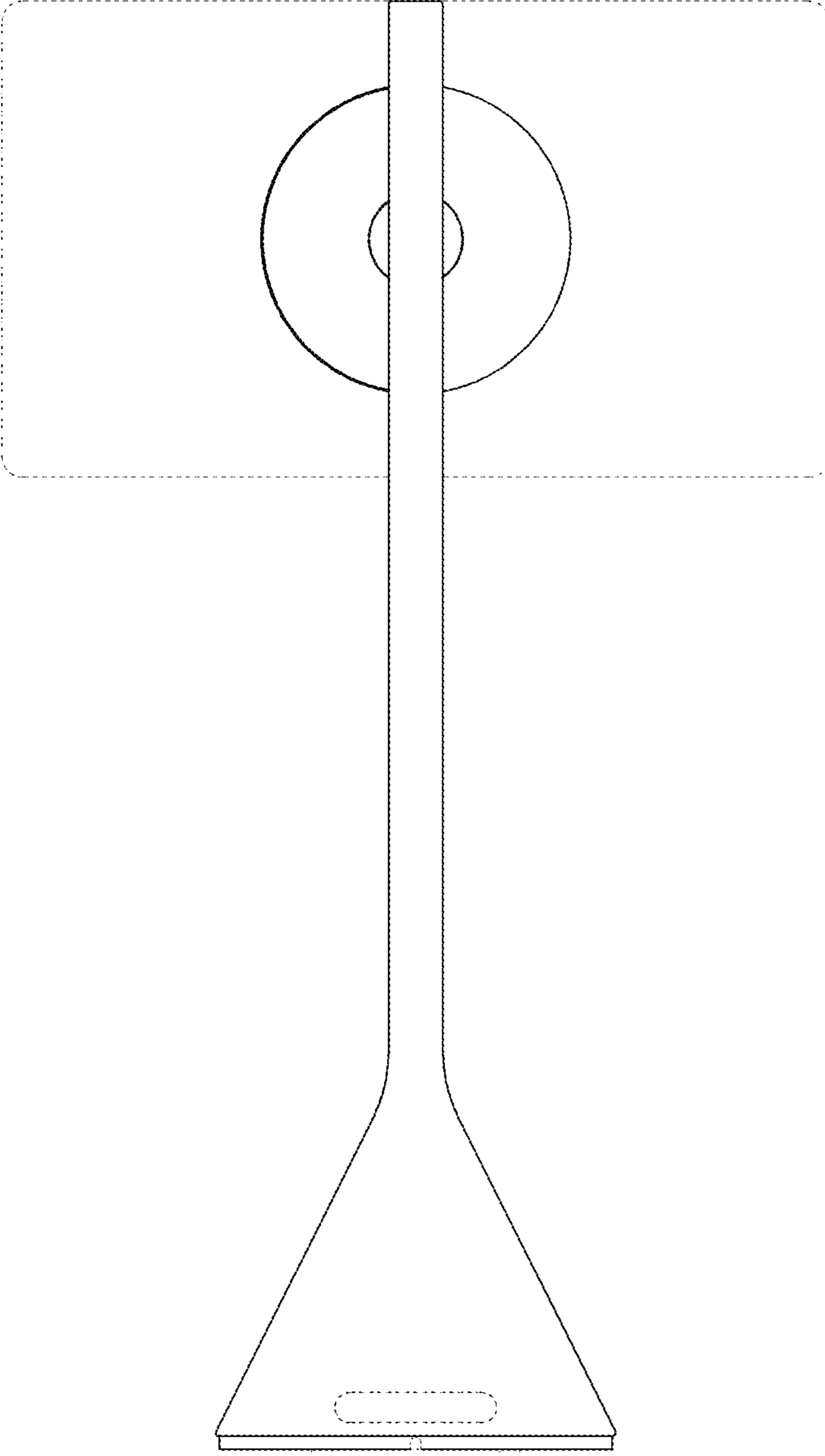
1.2



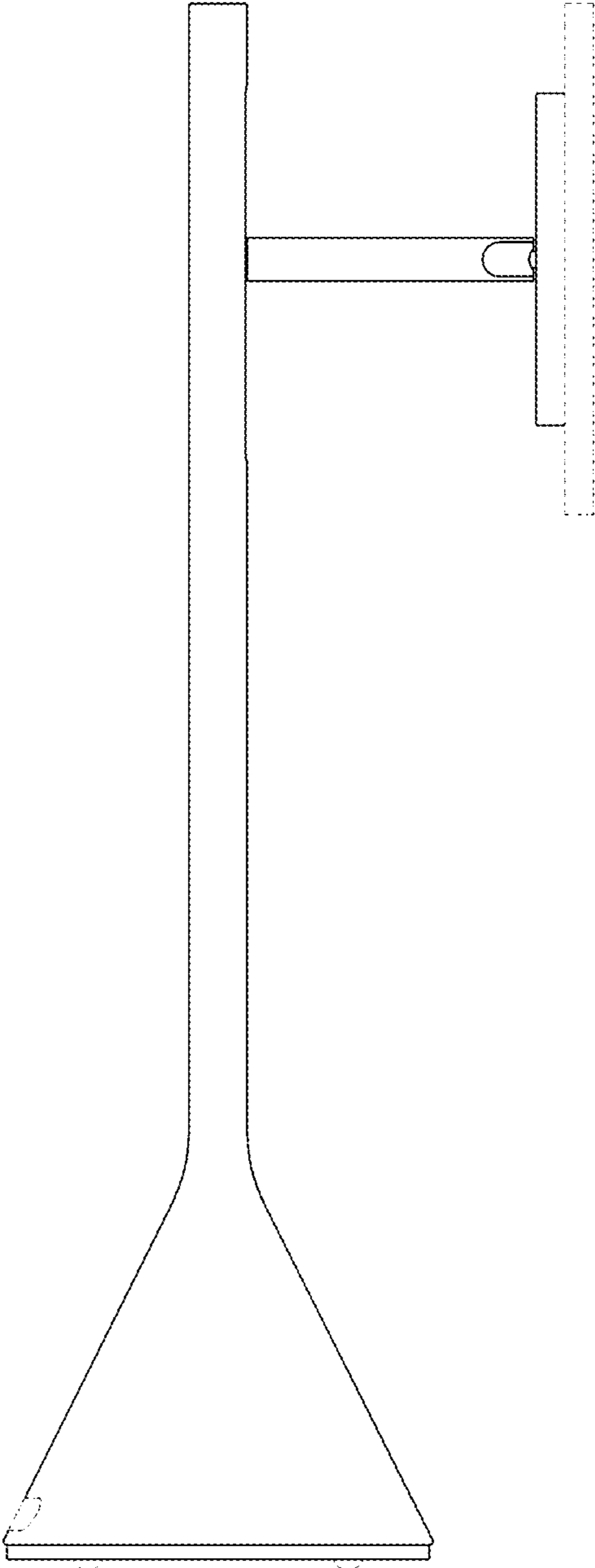
1.3



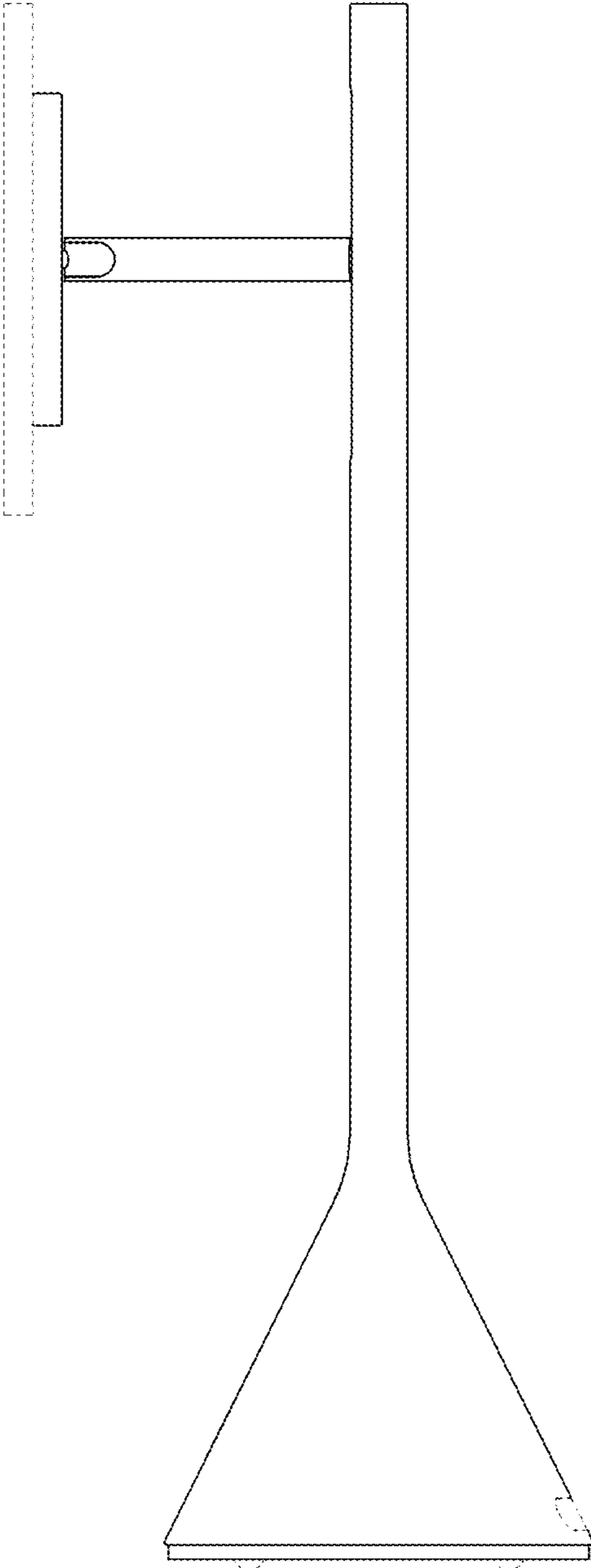
1.4



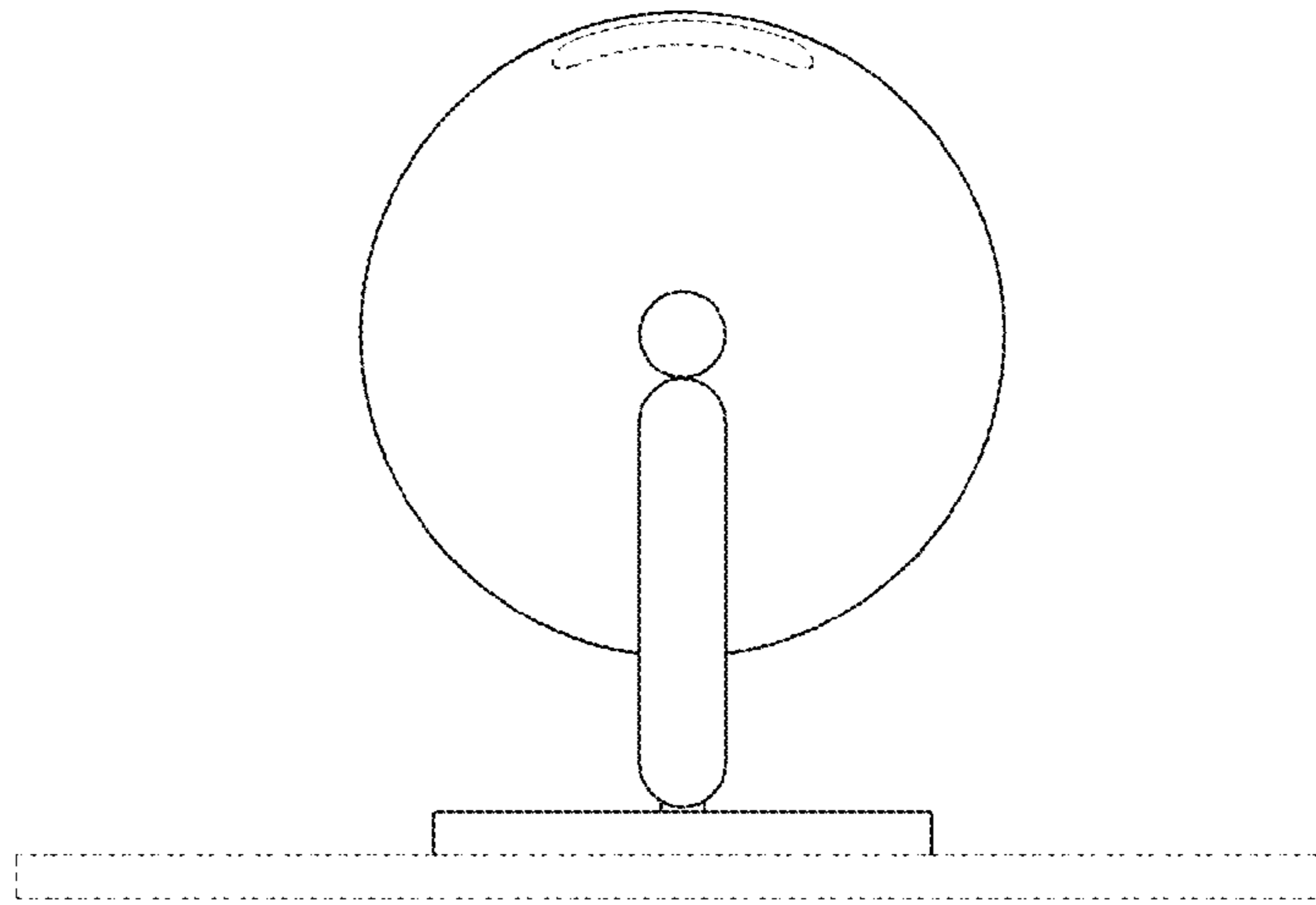
1.5



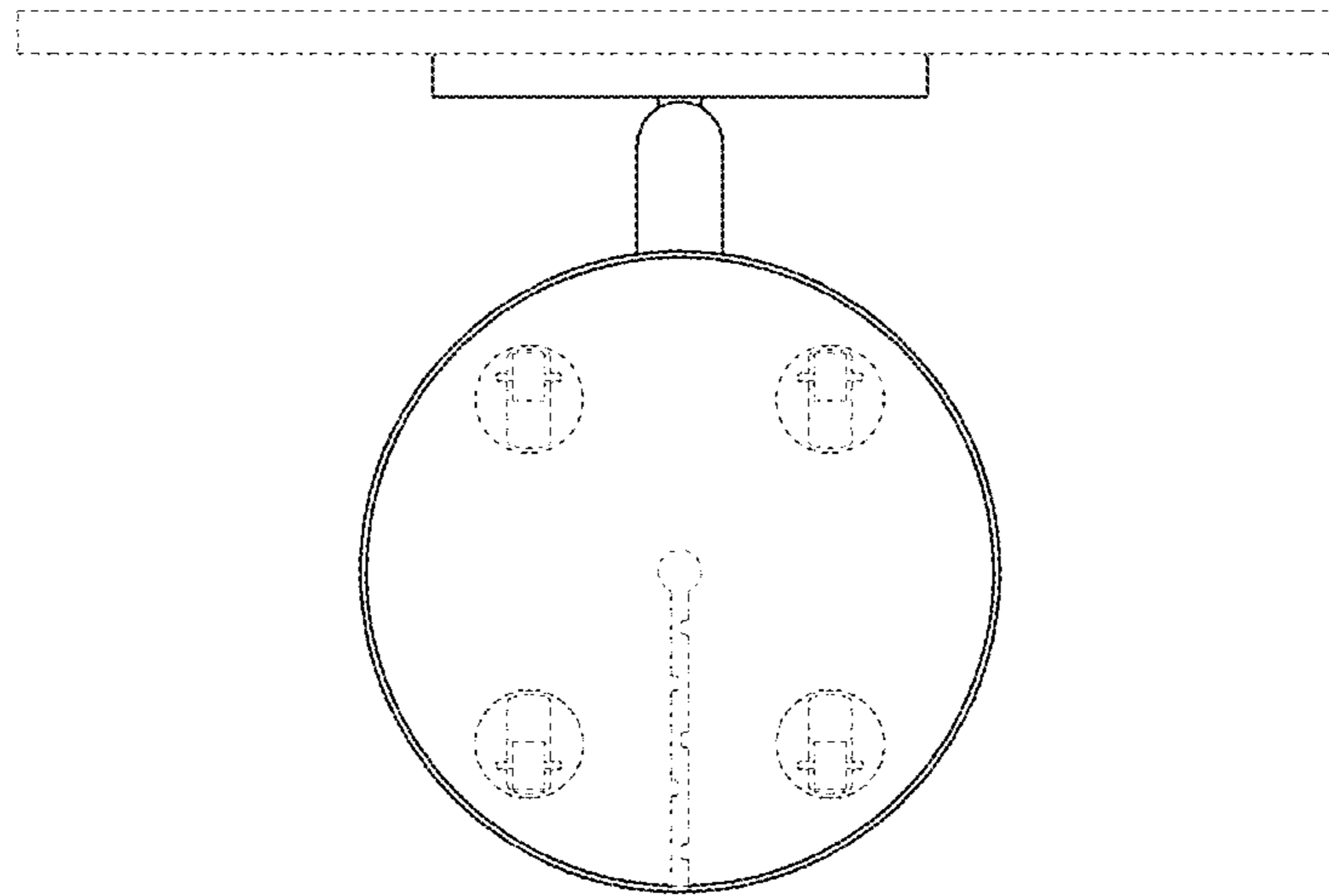
1.6



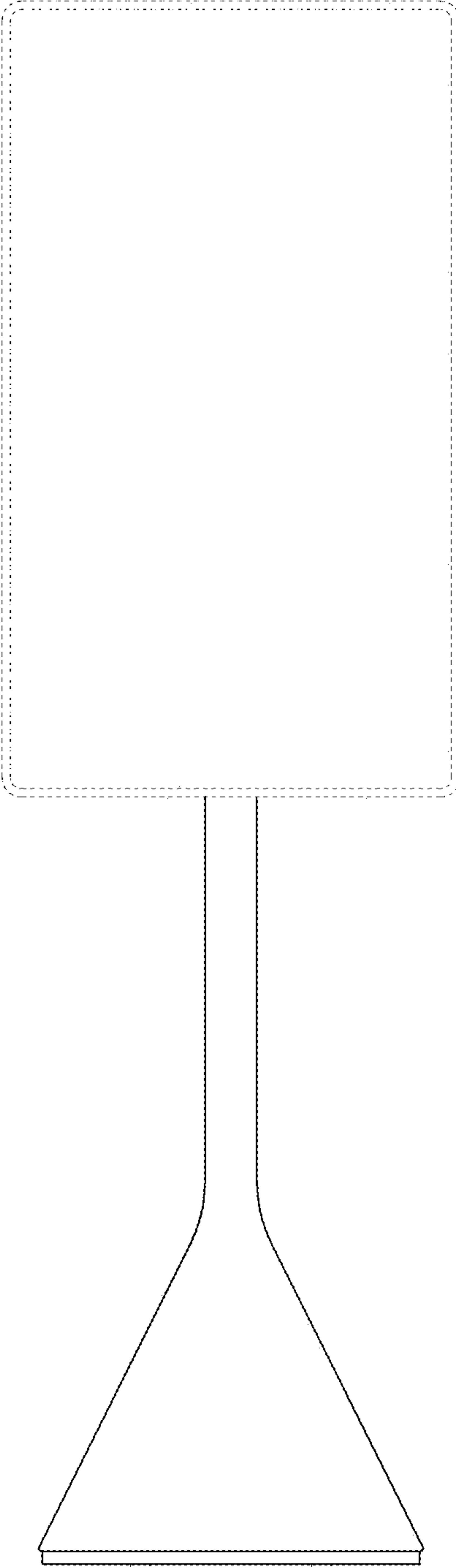
1.7



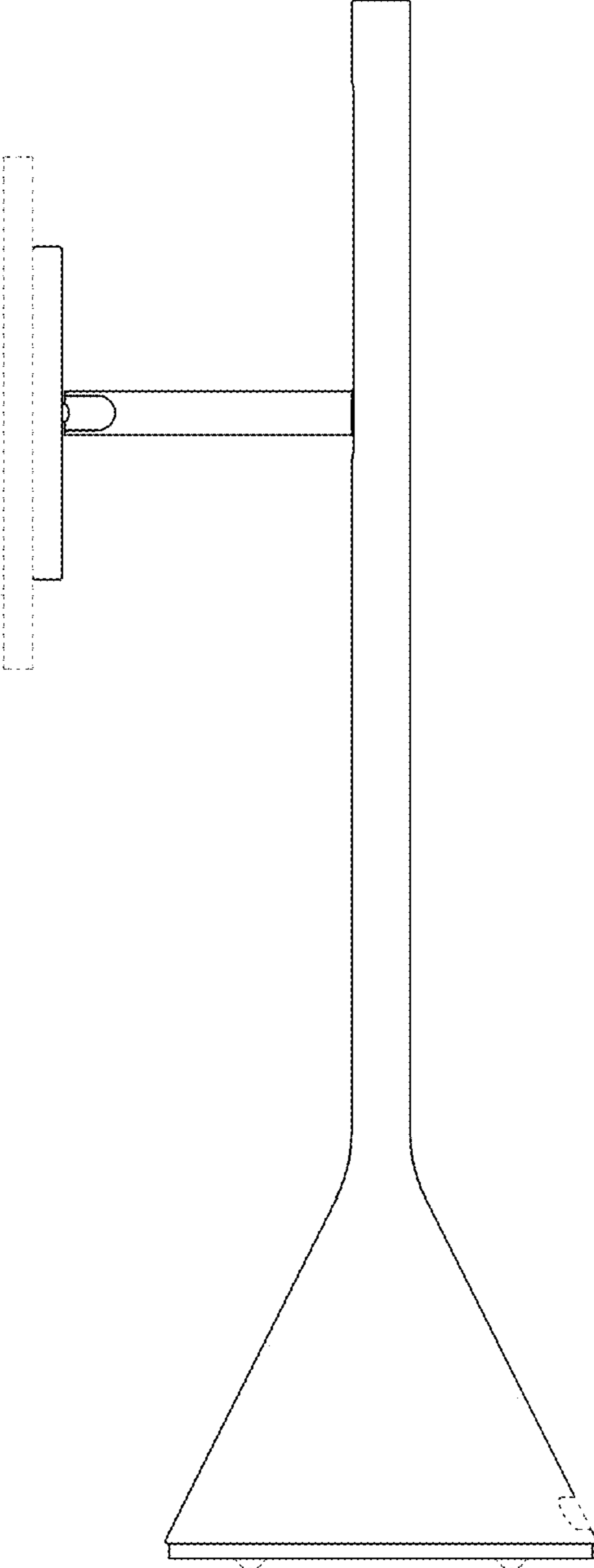
1.8



1.9



1.10



1.11

