



US00D975072S

(12) **United States Design Patent**
Lee et al.

(10) **Patent No.: US D975,072 S**
(45) **Date of Patent: ** Jan. 10, 2023**

(54) **TELEVISION RECEIVER**

D688,674 S * 8/2013 Lau D14/452
D702,244 S * 4/2014 Seo D14/451
D704,716 S * 5/2014 Ho D14/451

(71) Applicant: **LG ELECTRONICS INC.**, Seoul
(KR)

(Continued)

(72) Inventors: **Nari Lee**, Seoul (KR); **Woosuk Park**,
Seoul (KR); **Sangik Lee**, Seoul (KR)

OTHER PUBLICATIONS

LG made a battery-powered TV that you can wheel around on a stand (LG StanbyME and Object tv), publication date Dec. 13, 2021, [online]URL: <https://www.theverge.com/2021/12/13/22832356/lg-stanbyme-portable-tv-objet-announced-design-specs> (Year: 2021).*

(Continued)

(73) Assignee: **LG ELECTRONICS INC.**, Seoul
(KR)

(**) Term: **15 Years**

Primary Examiner — L. A. Grabenstetter

(21) Appl. No.: **35/512,569**

(74) *Attorney, Agent, or Firm* — Birch, Stewart, Kolasch & Birch, LLP

(22) Filed: **Mar. 16, 2021**

(80) **Hague Agreement Data**

(57) **CLAIM**

Int. Filing Date: **Mar. 16, 2021**
Int. Reg. No.: **DM/213440**
Int. Reg. Date: **Mar. 16, 2021**
Int. Reg. Pub. Date: **Sep. 17, 2021**

The ornamental design for a television receiver, as shown and described.

(30) **Foreign Application Priority Data**

DESCRIPTION

Sep. 23, 2020 (KR) 30-2020-0045946

(51) **LOC (14) Cl.** **14-03**

(52) **U.S. Cl.**
USPC **D14/239**

(58) **Field of Classification Search**
USPC D14/125–129, 132, 300, 308, 310, 316,
D14/336, 357, 371, 375–380, 451, 452,
D14/239; D26/93

CPC G06F 1/1601; G06F 1/1605; G06F 1/162
See application file for complete search history.

- 1. Television receiver
- 1.1 : Front perspective view
- 1.2 : Rear perspective view
- 1.3 : Front view
- 1.4 : Rear view
- 1.5 : Left view
- 1.6 : Right view
- 1.7 : Top view
- 1.8 : Bottom view
- 1.9 : Front view, shown with the display panel in a rotated position
- 1.10 : Right view, shown with the hinge portion of the display panel in an alternate position
- 1.11 : Top view, shown with the hinge portion of the display panel in an alternate position

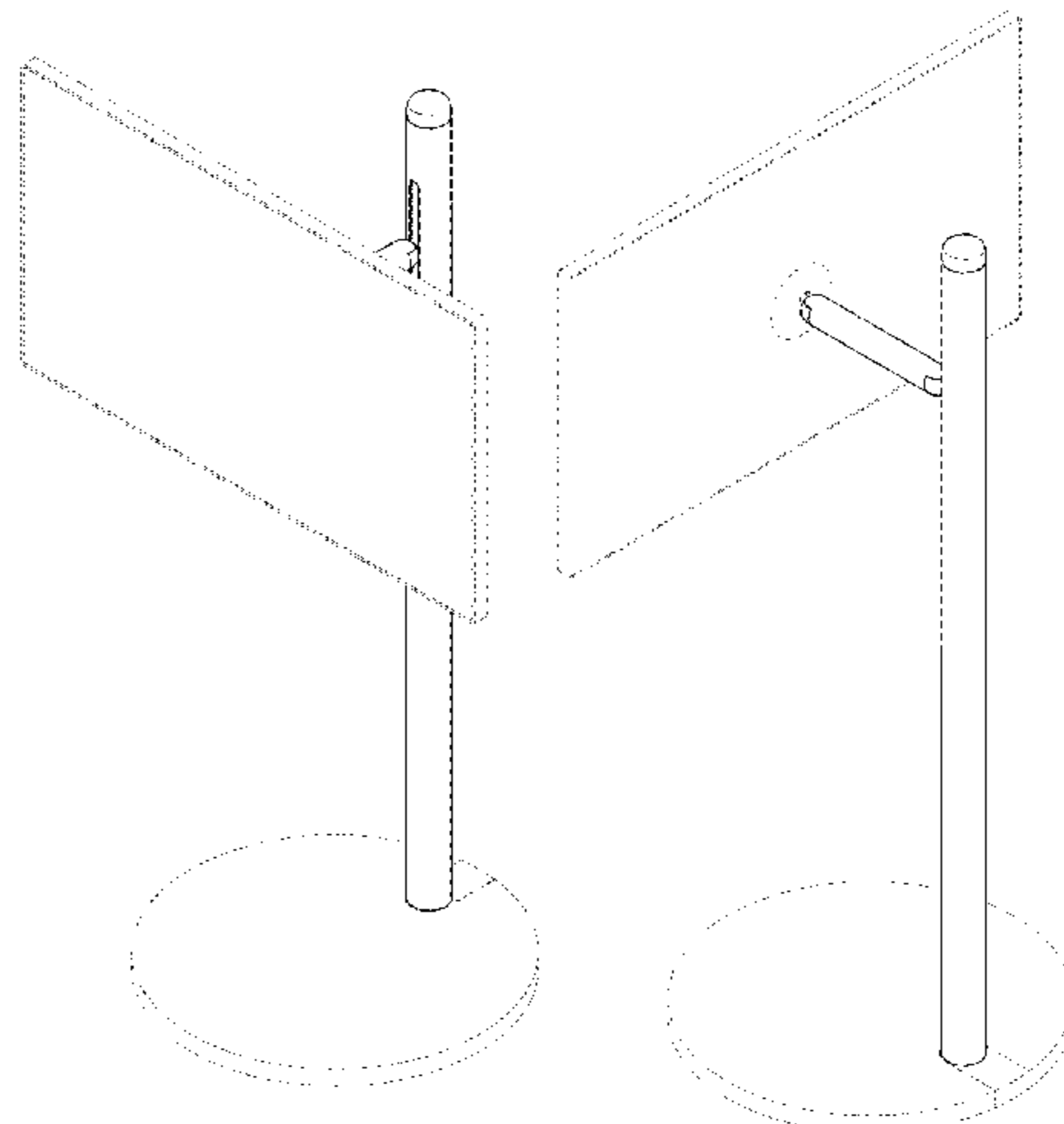
The subject design is a combined form between a display panel and a stand through a dual hinge which allows the display panel and the stand to move up and down, rotate and

(Continued)

(56) **References Cited**

U.S. PATENT DOCUMENTS

D638,022 S * 5/2011 Kasuga D14/239
D662,102 S * 6/2012 Derry D14/452
D681,647 S * 5/2013 Choi D14/451



lift; the broken lines indicate portions of the article that form no part of the claimed design.

1 Claim, 11 Drawing Sheets

(56)

References Cited

U.S. PATENT DOCUMENTS

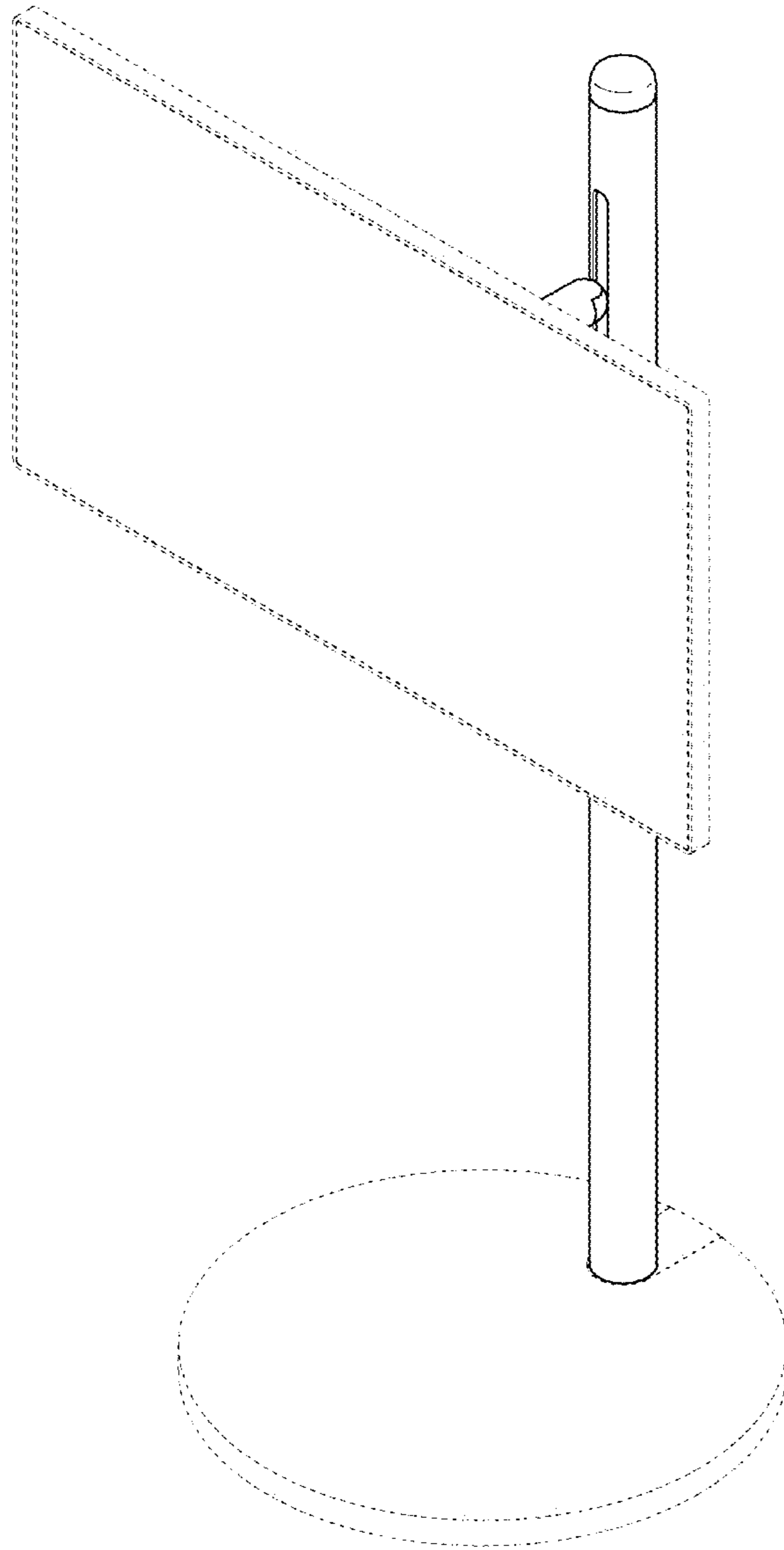
D753,128	S	*	4/2016	Anderson	D14/452
D776,668	S	*	1/2017	Wallace	D6/681.1
D792,418	S	*	7/2017	Stener	D14/451
D805,522	S	*	12/2017	Won	D14/451
D807,895	S	*	1/2018	Won	D14/452
D822,032	S	*	7/2018	Kwon	D14/451
D824,918	S	*	8/2018	Roarty	D14/452
D848,444	S	*	5/2019	Jung	D14/452
D849,013	S	*	5/2019	Monsalve	D14/452
D879,792	S	*	3/2020	Glickstein	D14/452
D879,793	S	*	3/2020	Glickstein	D14/452
D895,634	S	*	9/2020	Carrasquillo	D14/452
D920,340	S	*	5/2021	Shu	D14/452
D931,866	S	*	9/2021	Ke	D14/451
D934,881	S	*	11/2021	Yoo	D14/451
D939,516	S	*	12/2021	You	D14/452
D941,300	S	*	1/2022	Huang	D14/452
D949,158	S	*	4/2022	Ryu	D14/451
D950,532	S	*	5/2022	Lee	D14/239

OTHER PUBLICATIONS

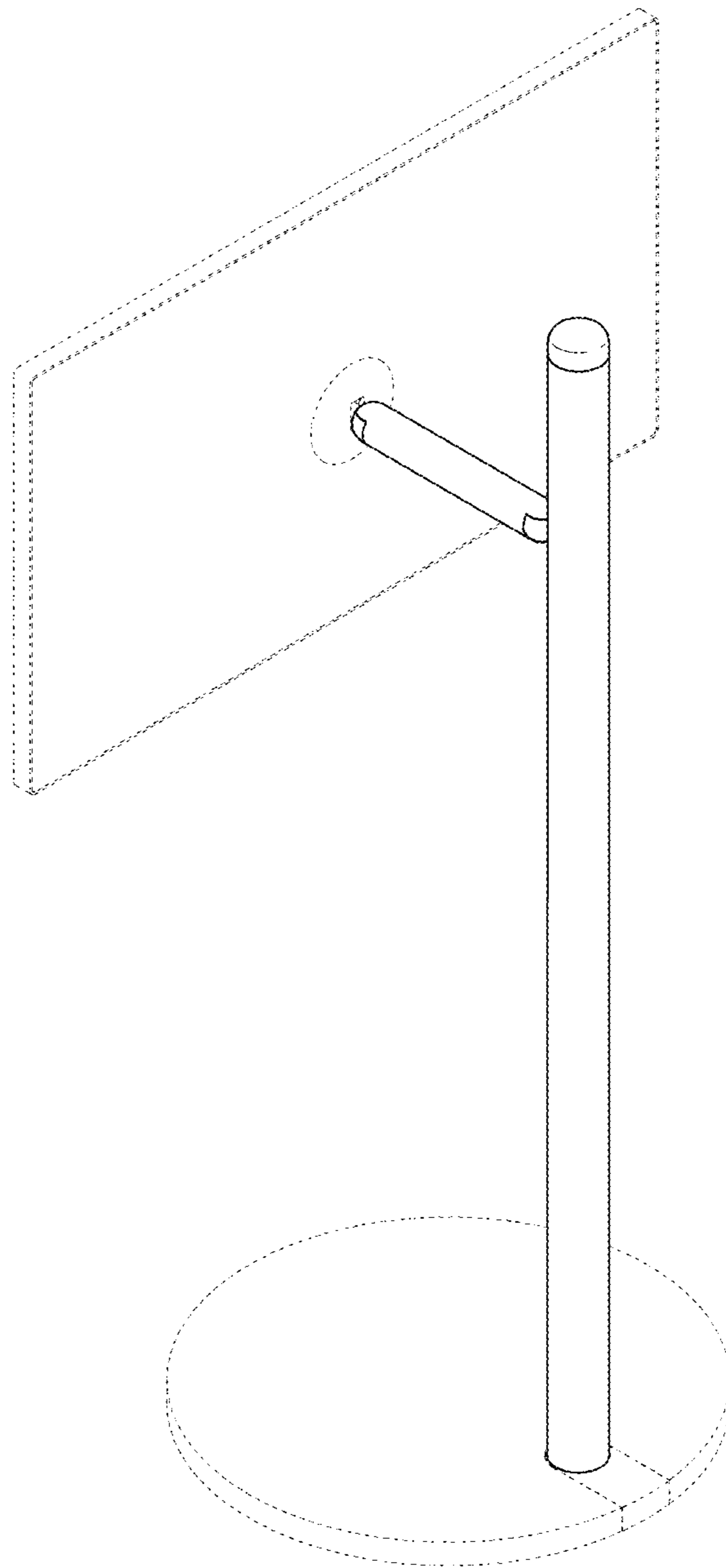
Cavus high end television brushed steel, publication date Apr. 22, 2016, [online] URL: <https://www.amazon.co.uk/Cavus-Fm120-50S-STAND-Stainless/dp/B01ENHQ3XI> (Year: 2016).*

* cited by examiner

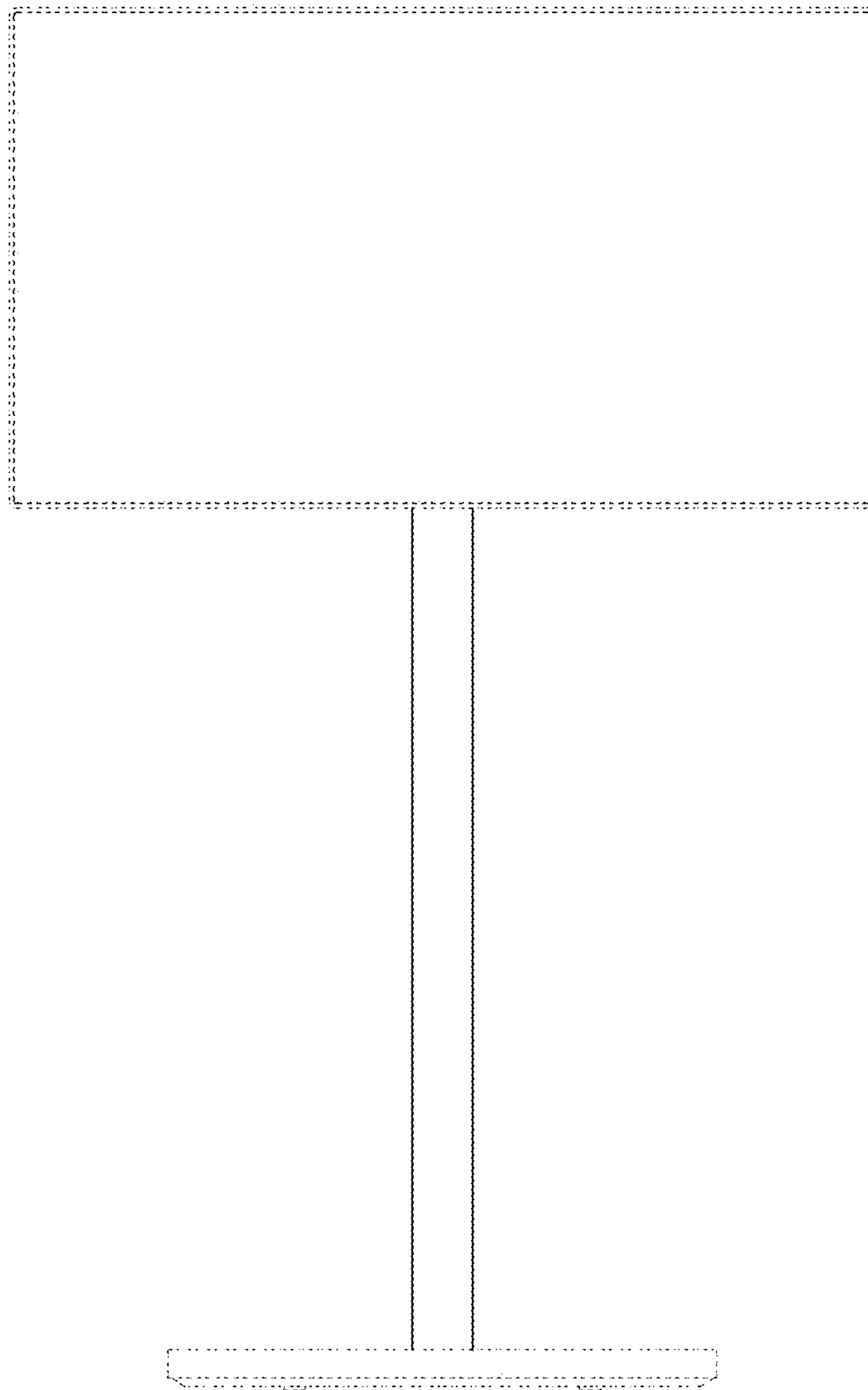
1.1



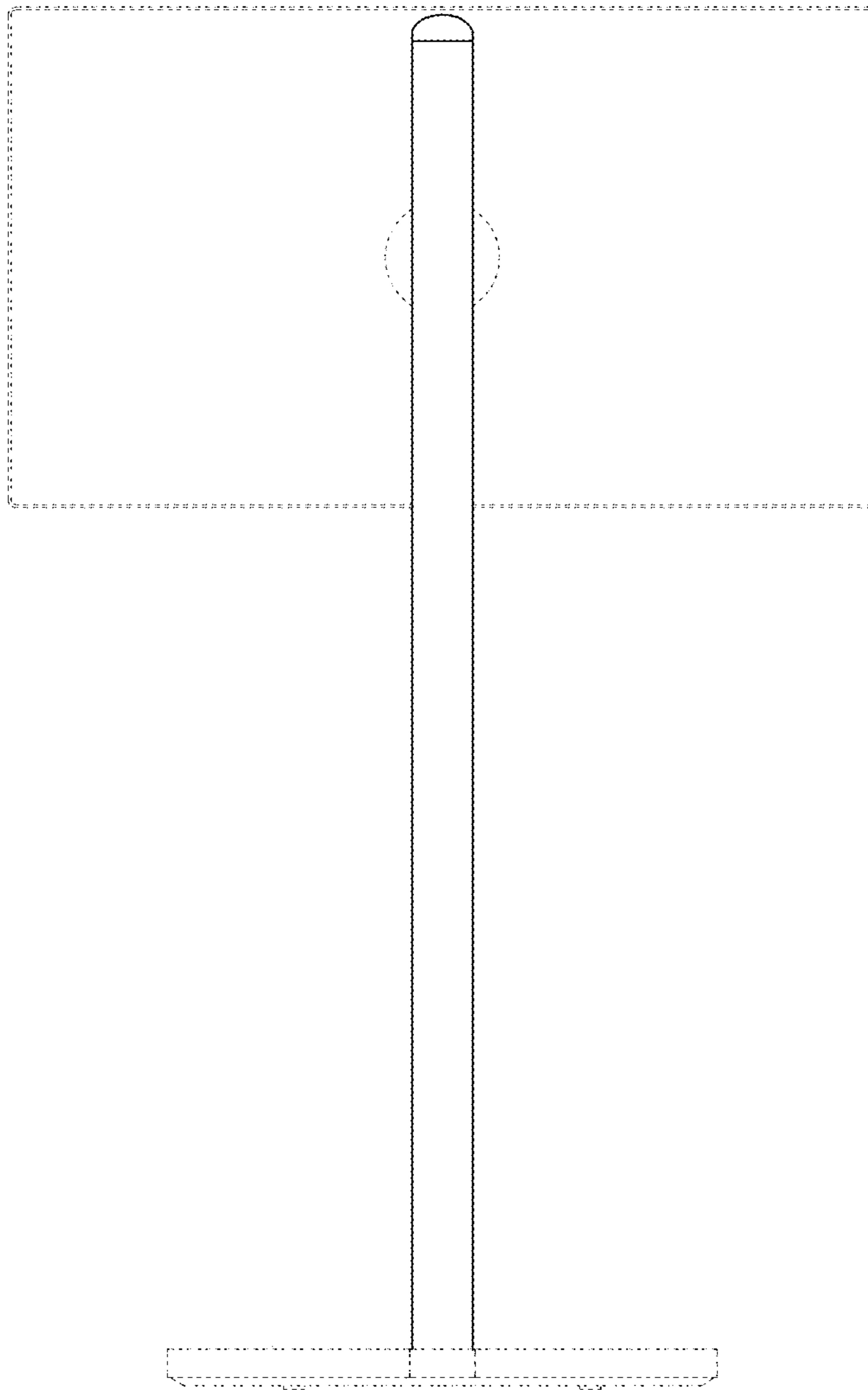
1.2



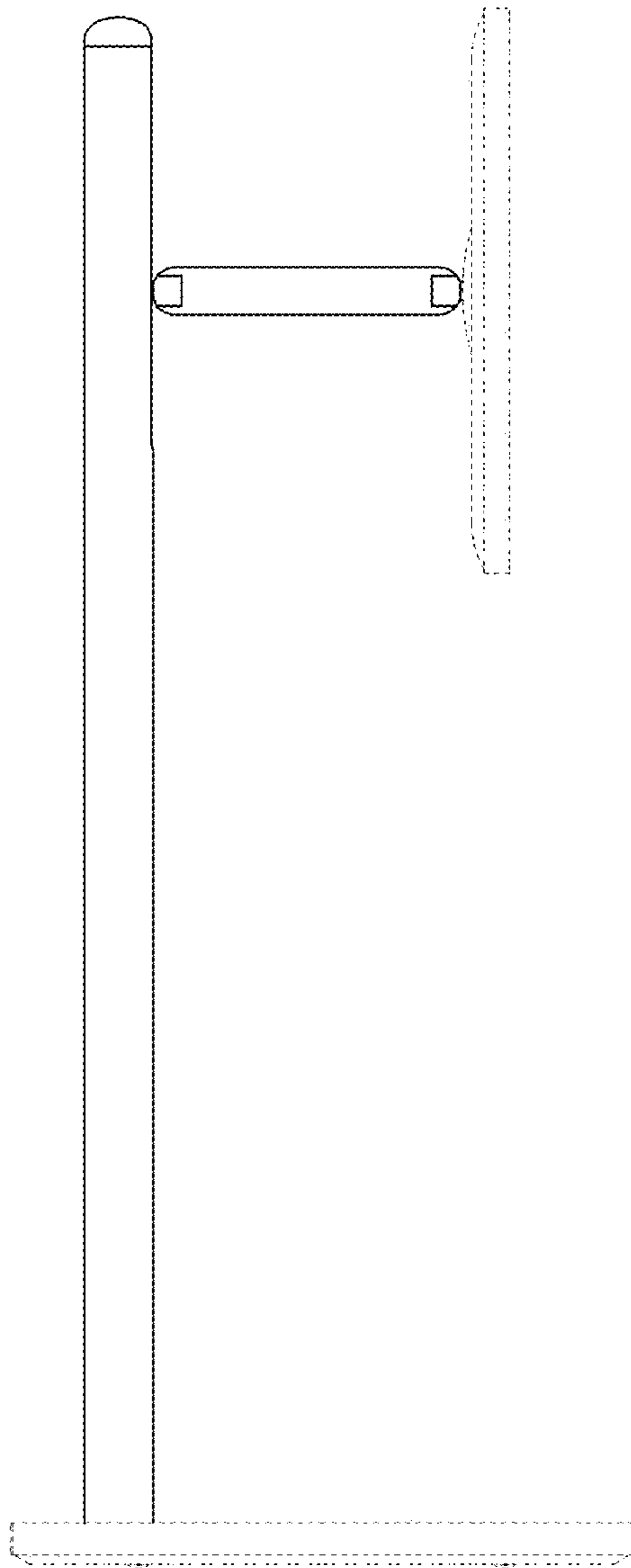
1.3



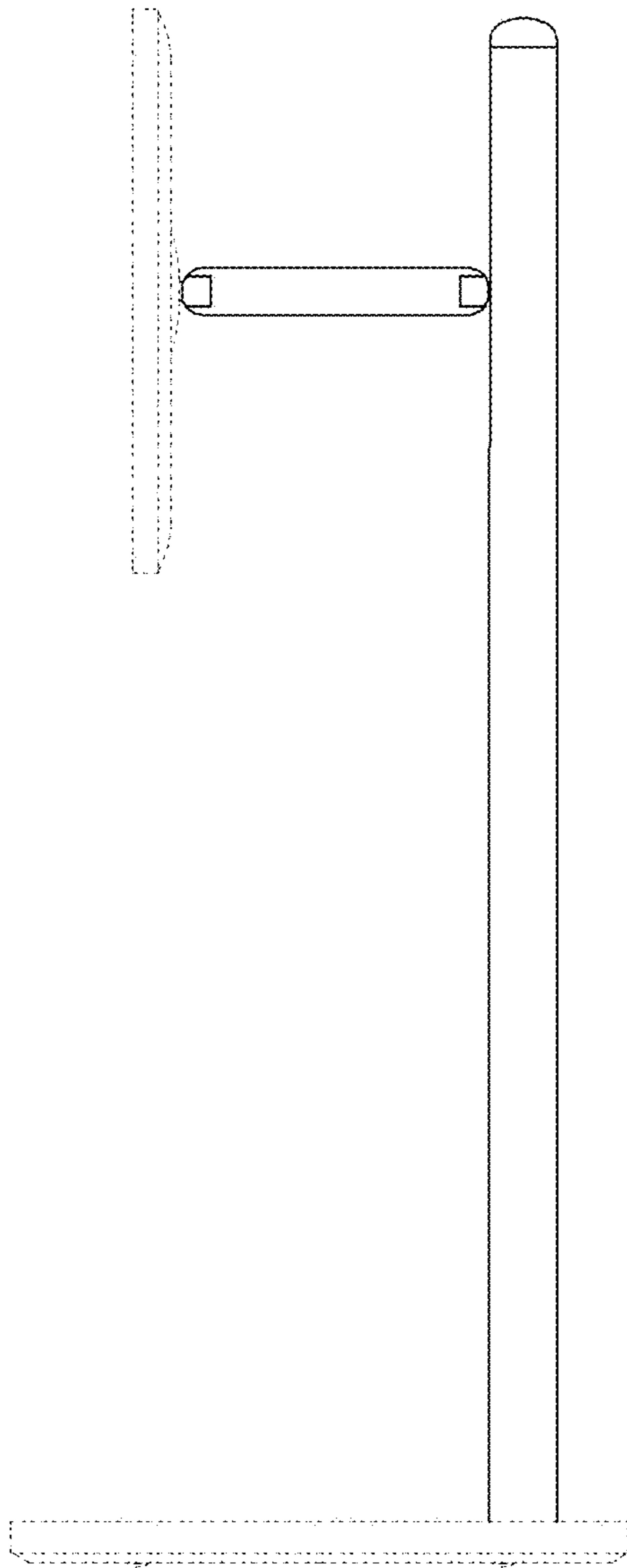
1.4



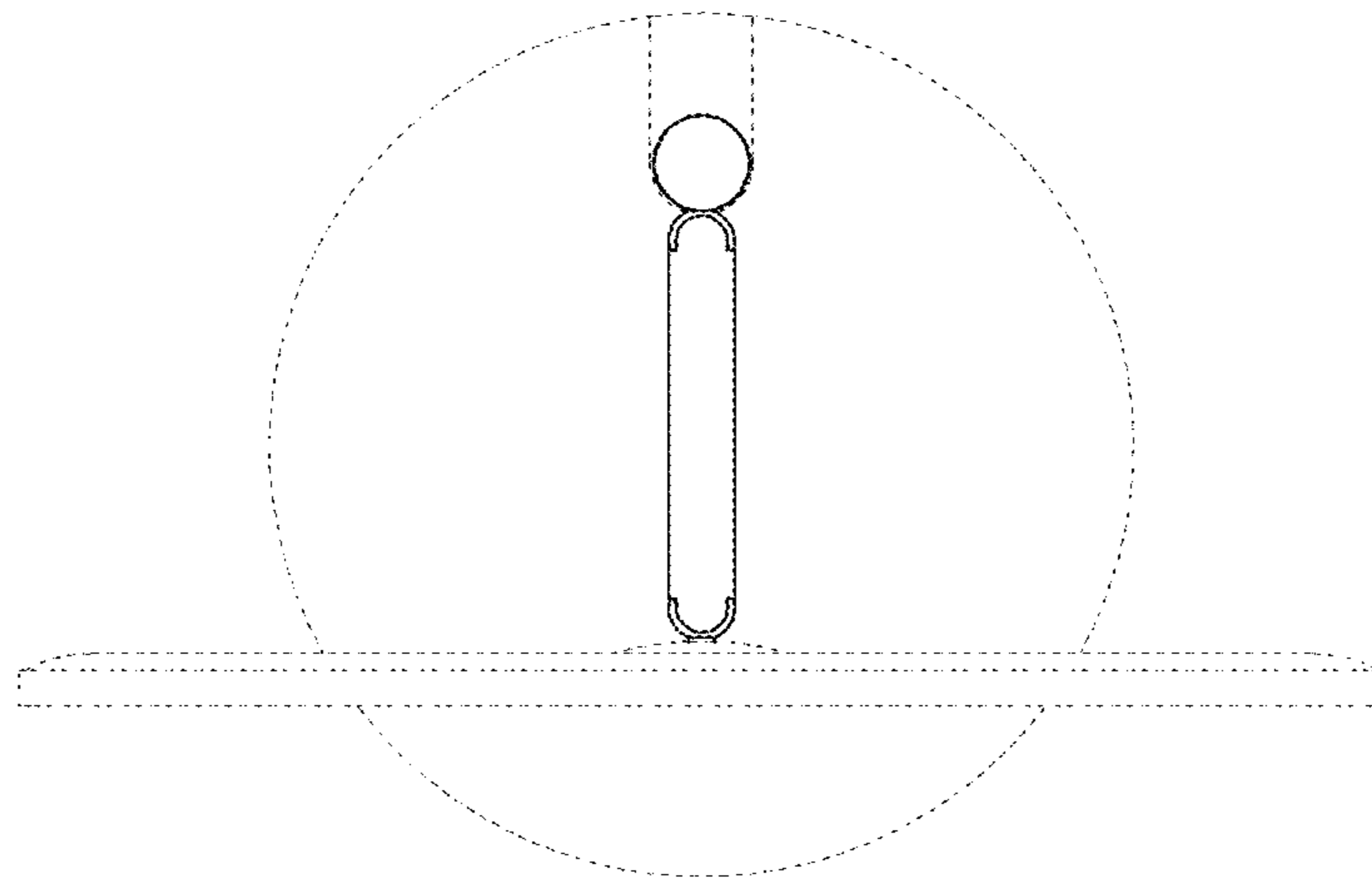
1.5



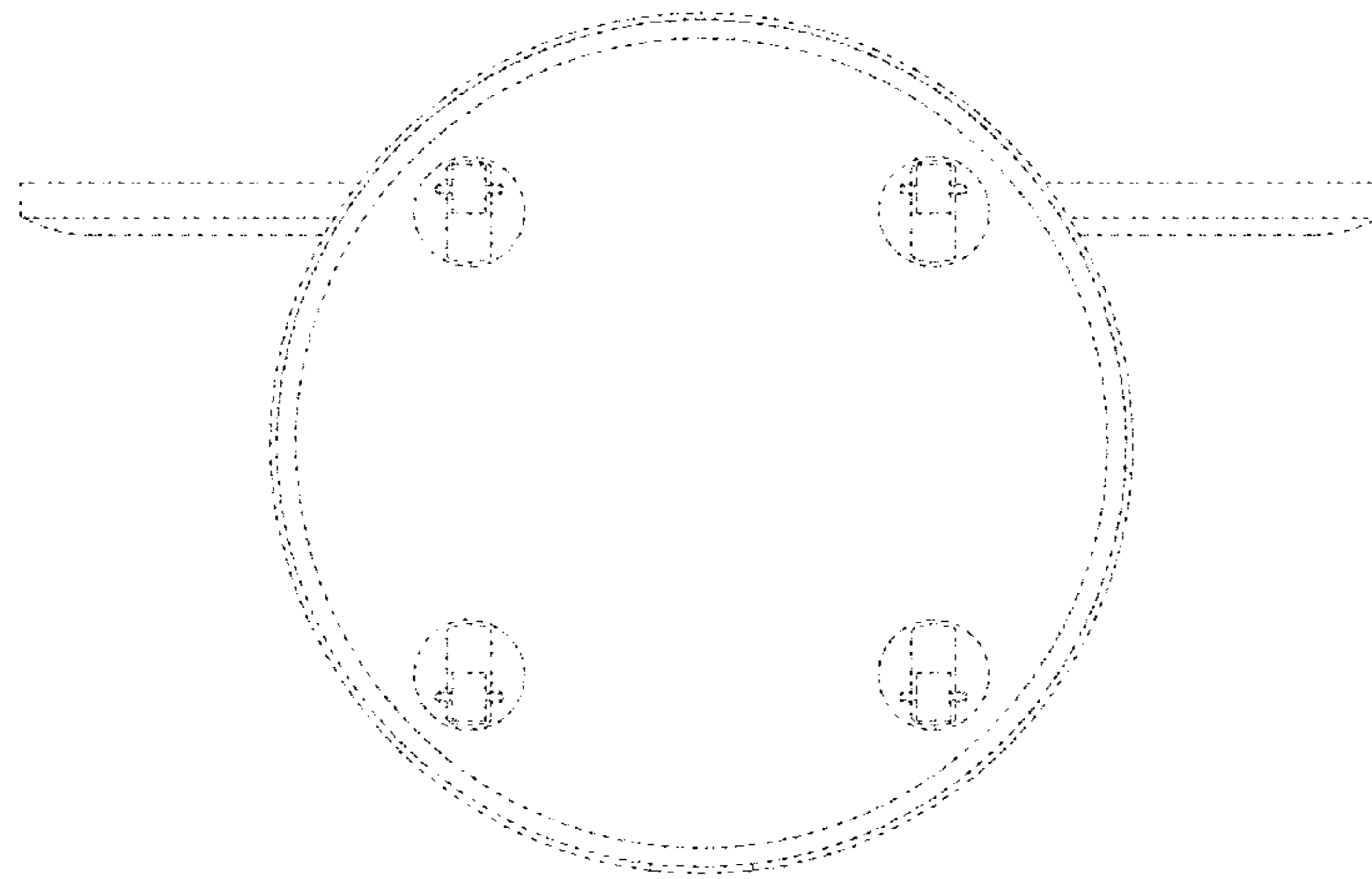
1.6



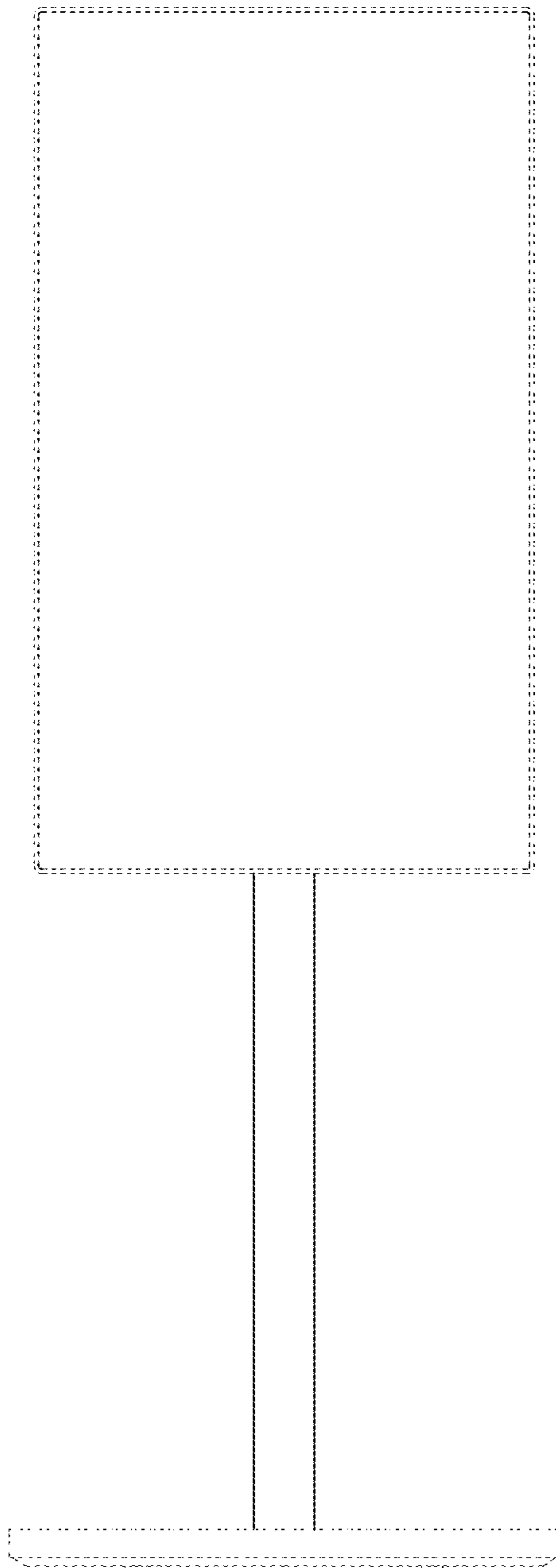
1.7



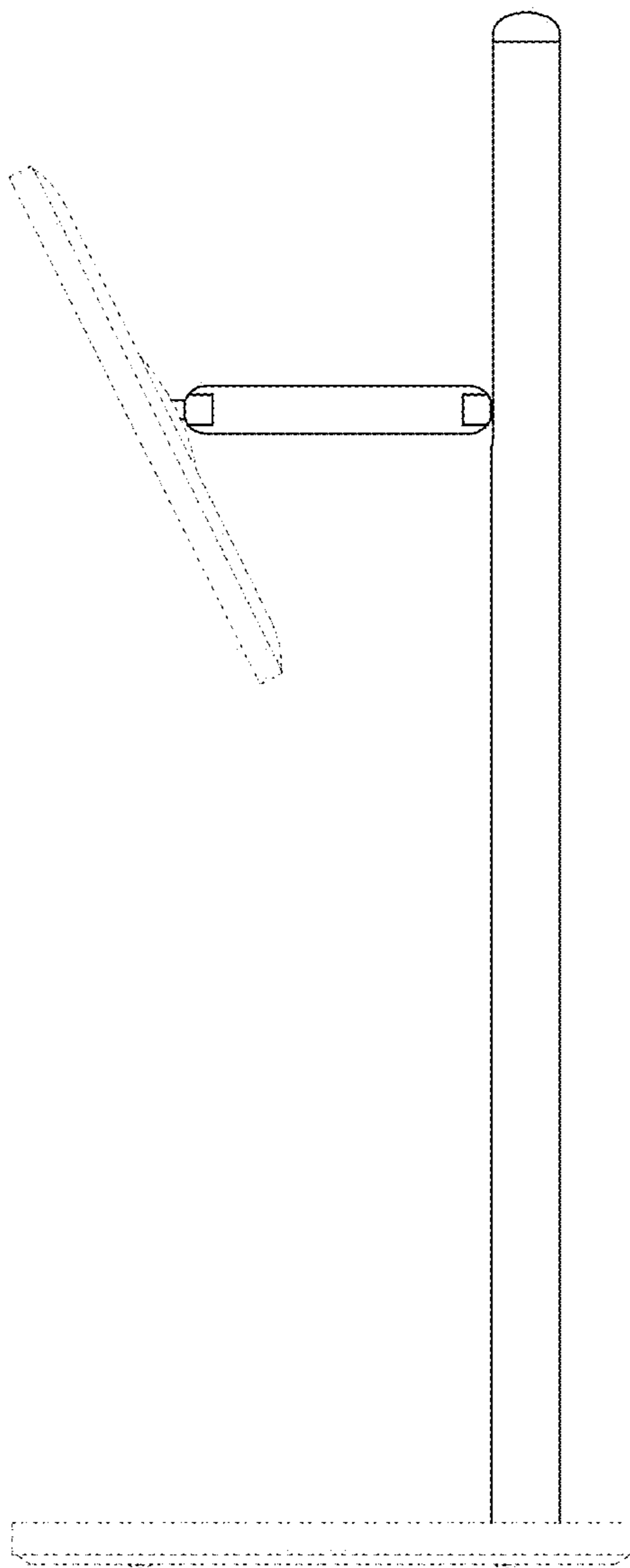
1.8



1.9



1.10



1.11

