



US00D975068S

(12) **United States Design Patent** (10) **Patent No.:** **US D975,068 S**
Kallas et al. (45) **Date of Patent:** **** Jan. 10, 2023**

(54) **DUAL-AXIS SWIVEL SPEAKER MOUNT ASSEMBLY** 2,293,593 A * 8/1942 Clark A45D 44/04
248/397
2,565,999 A * 8/1951 Teglas B25B 1/22
269/72
(71) Applicant: **Music Express, LLC**, Kingston, WA (US) 2,628,289 A * 2/1953 Olson H04R 1/08
381/361

(72) Inventors: **Ryan Kallas**, Kingston, WA (US); **J. Herschel Blankenship**, Kingston, WA (US)

(Continued)

(73) Assignee: **Music Express, LLC**, Kingston, WA (US)

FOREIGN PATENT DOCUMENTS

EM 000842224-0001 * 12/2007

Primary Examiner — Paula Allen Greene

(**) Term: **15 Years**

(74) *Attorney, Agent, or Firm* — JK Intellectual Property Law, PA

(21) Appl. No.: **29/839,248**

(22) Filed: **May 19, 2022**

(57) **CLAIM**

Related U.S. Application Data

The ornamental design for dual-axis swivel speaker mount assembly, as shown and described.

(63) Continuation-in-part of application No. 29/729,552, filed on Mar. 27, 2020, now abandoned.

(51) **LOC (14) Cl.** **14-01**

(52) **U.S. Cl.**
USPC **D14/224**

DESCRIPTION

(58) **Field of Classification Search**
USPC D14/224, 452, 451, 336, 209.1, 221;
D8/380, 363, 355, 349; 381/176, 361,
381/363; 248/183.2, 418, 181.1, 371,
248/920, 183.1, 278.1; 269/71, 72, 75;
411/393; 379/454
CPC ... B25B 1/22; B23Q 3/02; B23Q 3/00; F16M
11/38; F16M 11/00; F16M 13/02; A45D
19/04; F16B 47/00; A47B 97/04; A47B
23/00; B60R 11/00; E04G 3/00
See application file for complete search history.

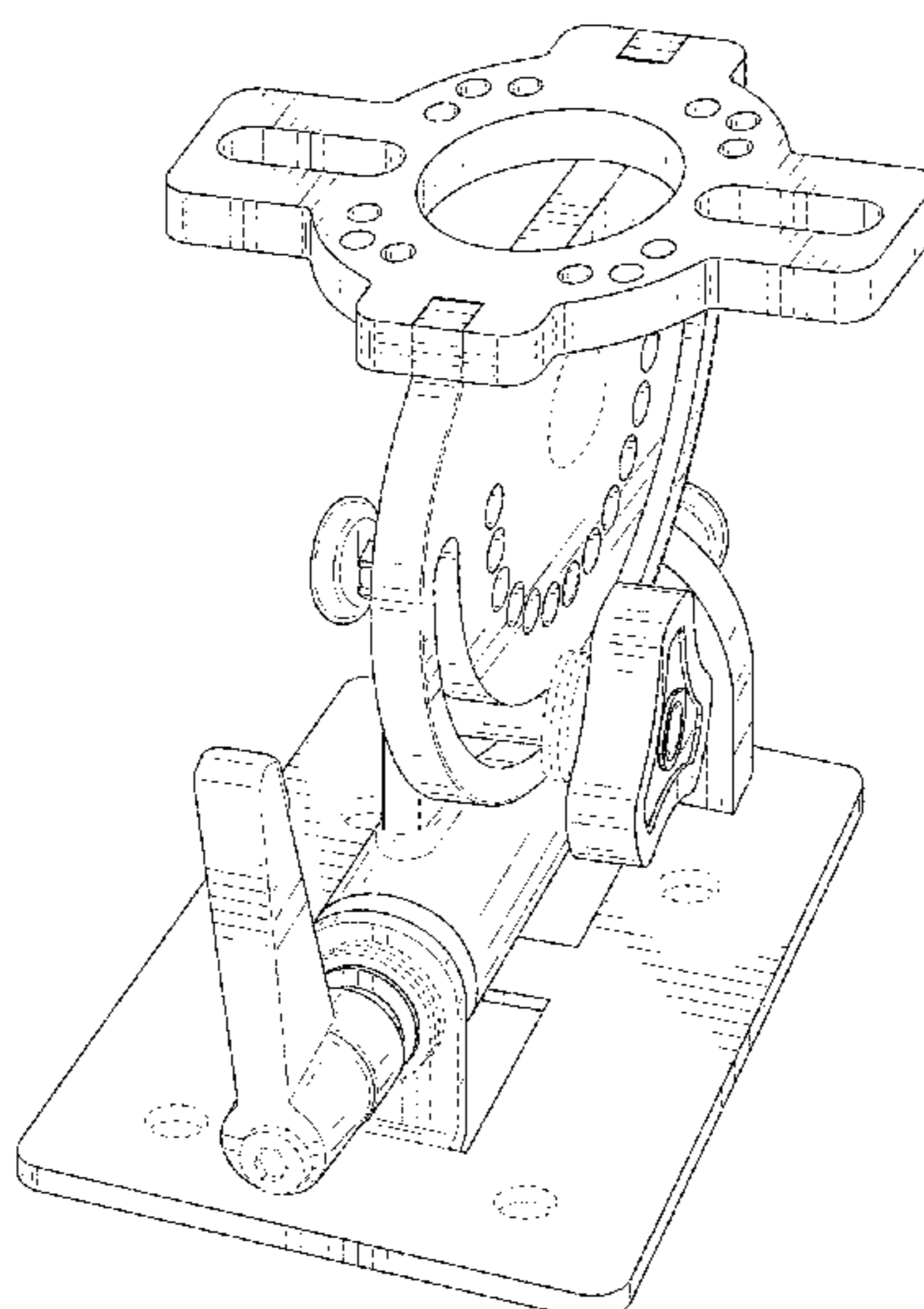
FIG. 1 is a top perspective view of a dual-axis swivel speaker mount assembly according to the present design; FIG. 2 is a left side view of the dual-axis swivel speaker mount assembly as shown in FIG. 1; FIG. 3 is a right side view of the dual-axis swivel speaker mount assembly as shown in FIG. 1; FIG. 4 is a front view of the dual-axis swivel speaker mount assembly as shown in FIG. 1; FIG. 5 is a rear view of the dual-axis swivel speaker mount assembly as shown in FIG. 1; FIG. 6 is a top view of the dual-axis swivel speaker mount assembly as shown in FIG. 1; and, FIG. 7 is a bottom view of the dual-axis swivel speaker mount assembly as shown in FIG. 1. The broken lines shown in FIGS. 1-7 are for purposes of illustrating portions of the dual-axis swivel speaker mount assembly that form no part of the claimed design.

(56) **References Cited**

U.S. PATENT DOCUMENTS

1,630,870 A * 5/1927 Strunck A47F 5/06
403/368
2,204,837 A * 6/1940 Waller B25B 1/22
269/72

1 Claim, 7 Drawing Sheets



US D975,068 S

(56)

References Cited

U.S. PATENT DOCUMENTS

2,650,788	A *	9/1953	Hulstein	F16M 11/2078 248/231.71	5,522,527	A *	6/1996	Tsai	B62J 29/00 224/558
2,896,901	A *	7/1959	Levy	F21V 21/30 248/278.1	5,751,548	A *	5/1998	Hall	F16M 11/2064 361/679.41
2,898,068	A *	8/1959	Warren	B23Q 1/28 269/72	5,931,102	A *	8/1999	Grahl	F16M 11/2014 248/278.1
2,922,609	A *	1/1960	Collier	F16M 11/126 396/428	5,957,445	A *	9/1999	Hagman	B23Q 1/545 269/75
2,947,214	A *	8/1960	Schwuttke	G01N 23/20016 125/35	D417,872	S *	12/1999	Monson	D14/215
3,204,898	A *	9/1965	Manning	B63B 17/04 411/959	6,116,554	A *	9/2000	Wei	F16M 11/2064 396/428
D219,033	S *	10/1970	Salsgiver	D6/656.11	6,161,741	A *	12/2000	French	F41C 33/045 224/198
3,661,376	A *	5/1972	Hill	B23Q 1/5412 269/75	6,244,553	B1 *	6/2001	Wang	F16M 11/2021 379/454
3,936,026	A *	2/1976	Hampel	F16M 11/08 248/922	6,505,988	B1 *	1/2003	Oddsen, Jr.	F16M 11/2064 248/278.1
3,971,526	A *	7/1976	Underwood	B65H 75/14 242/118.6	6,510,049	B2 *	1/2003	Rosen	F16M 13/027 D14/336
4,034,946	A *	7/1977	Zimmer, Jr.	F21V 21/30 248/278.1	6,669,155	B2 *	12/2003	Ron	F16C 11/10 248/176.1
4,068,961	A *	1/1978	Ebner	F16C 11/0661 248/921	D488,708	S *	4/2004	Lam	D8/363
4,160,541	A *	7/1979	Harken	B63B 21/10 384/617	D499,954	S *	12/2004	Brushaber	D8/355
D253,594	S *	12/1979	Antenbring	248/922	7,028,961	B1 *	4/2006	Dittmer	F16M 11/04 248/278.1
4,278,223	A *	7/1981	Fauteux	A45D 44/02 219/242	D538,633	S *	3/2007	Ly Hau	D8/363
4,304,385	A *	12/1981	Farouche	F16M 11/2014 248/920	D539,123	S *	3/2007	Ly Hau	D8/363
4,395,010	A *	7/1983	Helgeland	F16M 11/2021 248/920	D543,548	S *	5/2007	Muday	D14/452
4,470,106	A *	9/1984	Norton	F21V 21/145 362/426	D552,455	S *	10/2007	Moore	D8/363
D281,317	S *	11/1985	Whitaker	D14/224	D557,126	S *	12/2007	Worrall	D14/452
4,564,166	A *	1/1986	Craft	F16M 11/126 248/921	D595,723	S *	7/2009	Bures	D14/451
4,660,493	A *	4/1987	Lowry, III	B63B 21/08 114/199	D629,405	S *	12/2010	Crysell	D14/447
4,690,362	A *	9/1987	Helgoland	F16M 11/28 248/920	8,177,208	B2 *	5/2012	Sato	G11B 15/60 269/95
4,738,422	A *	4/1988	Matheson	F16M 11/126 248/921	D679,281	S *	4/2013	Kaluzza	D14/452
5,024,415	A *	6/1991	Purens	F16M 11/126 248/371	D753,128	S *	4/2016	Anderson	D14/452
5,092,572	A *	3/1992	Litwak	A61B 90/50 269/282	D821,365	S *	6/2018	Gheysens	D14/224
5,221,070	A *	6/1993	Heilmer	A47C 7/70 248/458	D825,535	S *	8/2018	Wright	D14/224
D338,882	S *	8/1993	Reiter	D14/447	D865,772	S *	11/2019	Theisen	D14/452
D362,253	S *	9/1995	Vogels	D14/224	D881,167	S *	4/2020	Jiao	D14/224
5,497,965	A *	3/1996	Mathieu, Jr.	F16M 11/041 403/327	D915,359	S *	4/2021	Zhang	D14/224
					D952,612	S *	5/2022	Malone	D14/224
					2005/0045794	A1 *	3/2005	Richter	B60R 11/02 248/371
					2007/0012825	A1 *	1/2007	Yeh	F16M 11/105 248/122.1
					2008/0061199	A1 *	3/2008	Chen	F16M 11/2064 248/205.8
					2009/0308993	A1 *	12/2009	Chang	F16M 13/005 248/176.3
					2013/0270317	A1 *	10/2013	Wang	B60R 11/02 224/570
					2014/0061270	A1 *	3/2014	Richter	B62J 11/00 224/420
					2016/0025264	A1 *	1/2016	Casagrande	F16M 13/00 248/205.9
					2019/0368653	A1 *	12/2019	Olinger	F16M 11/041

* cited by examiner

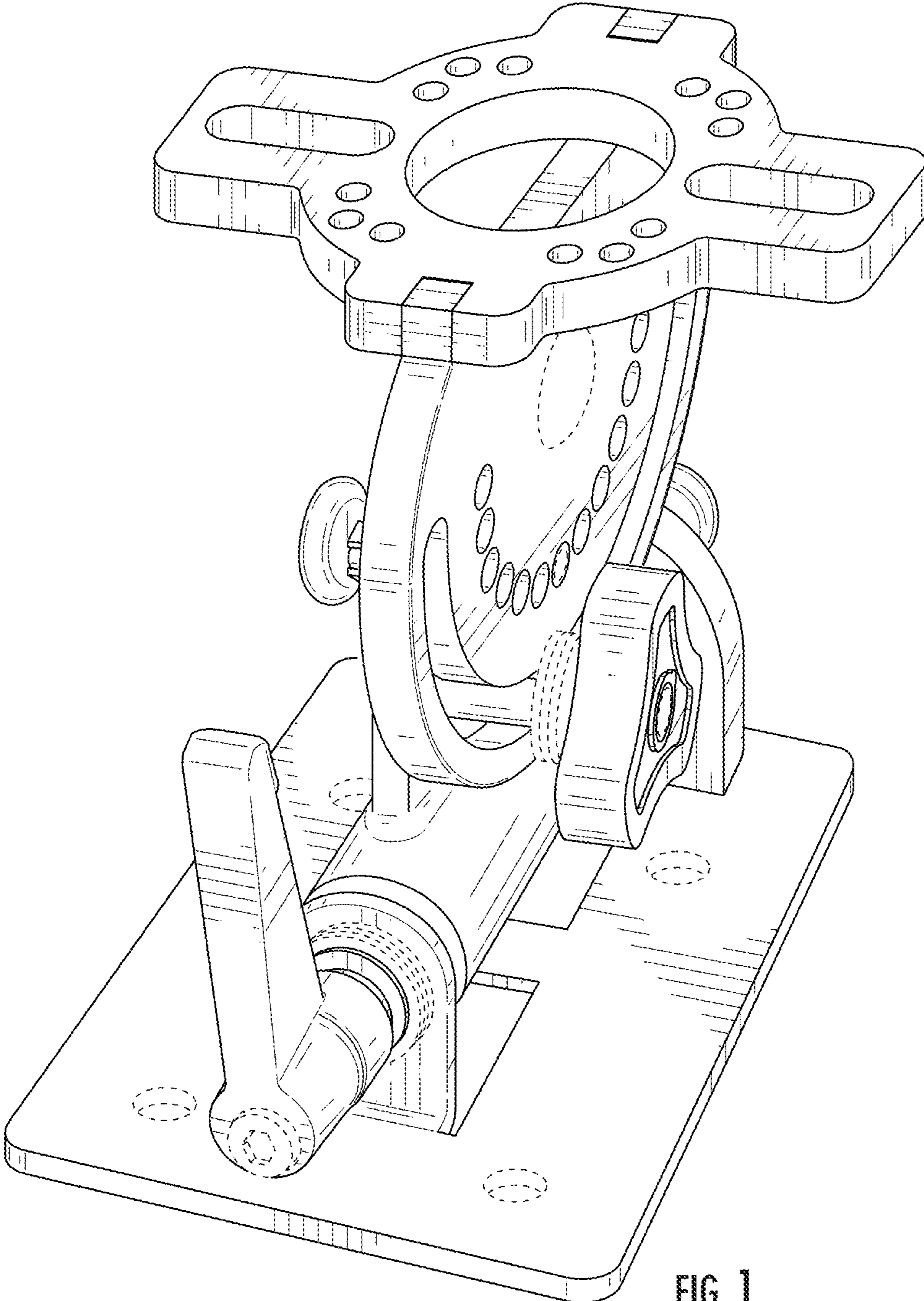


FIG. 1

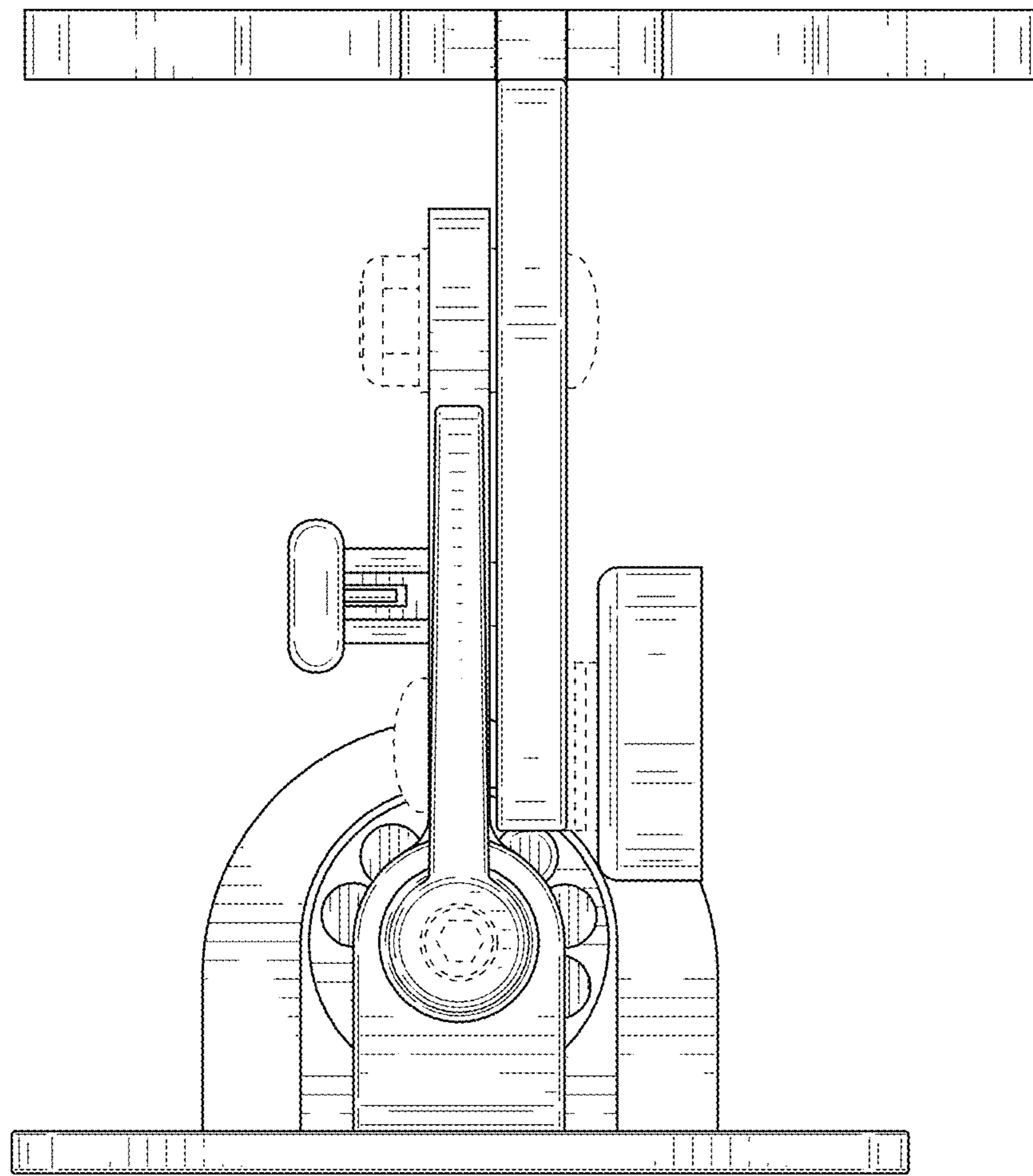


FIG. 2

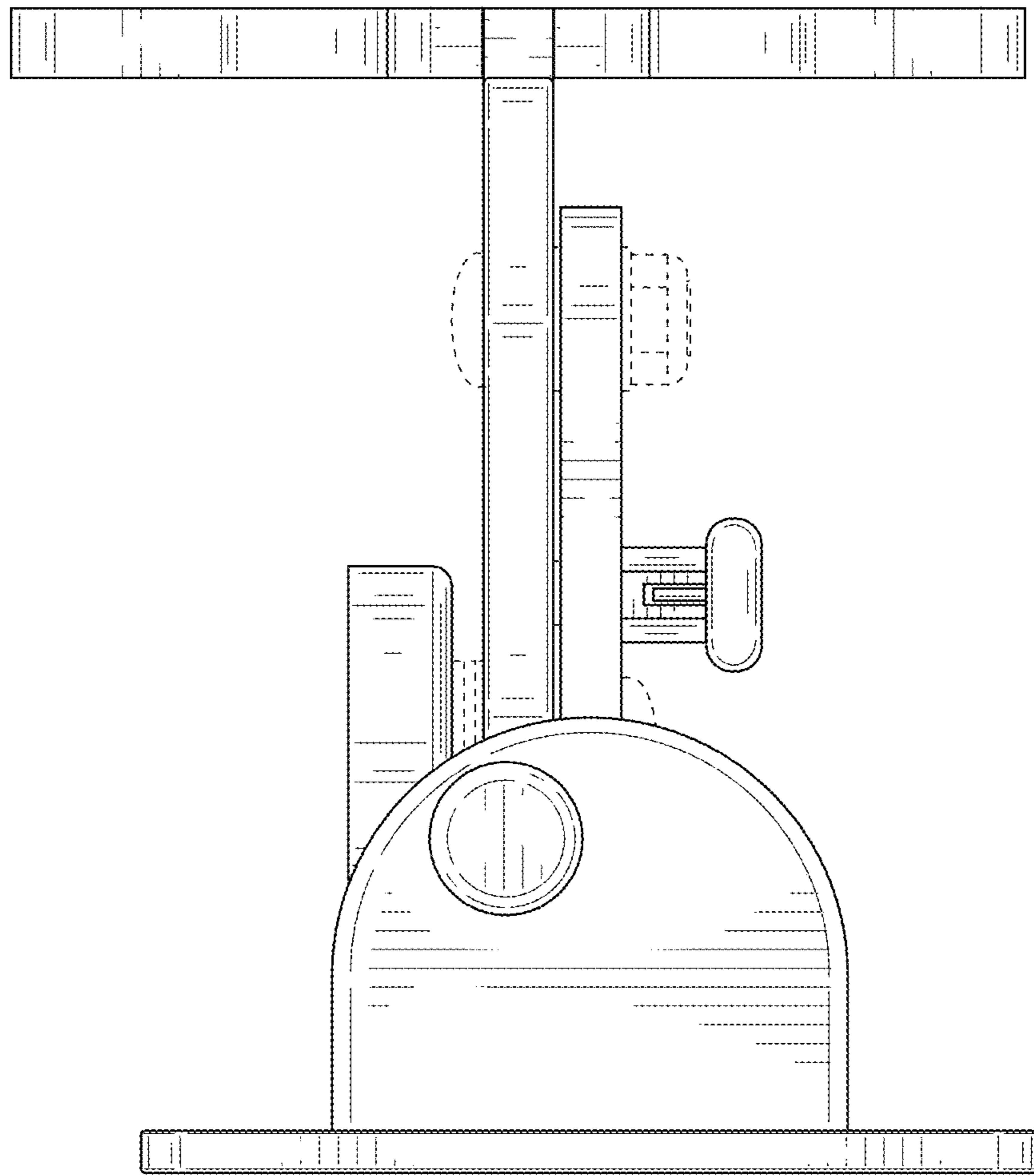


FIG. 3

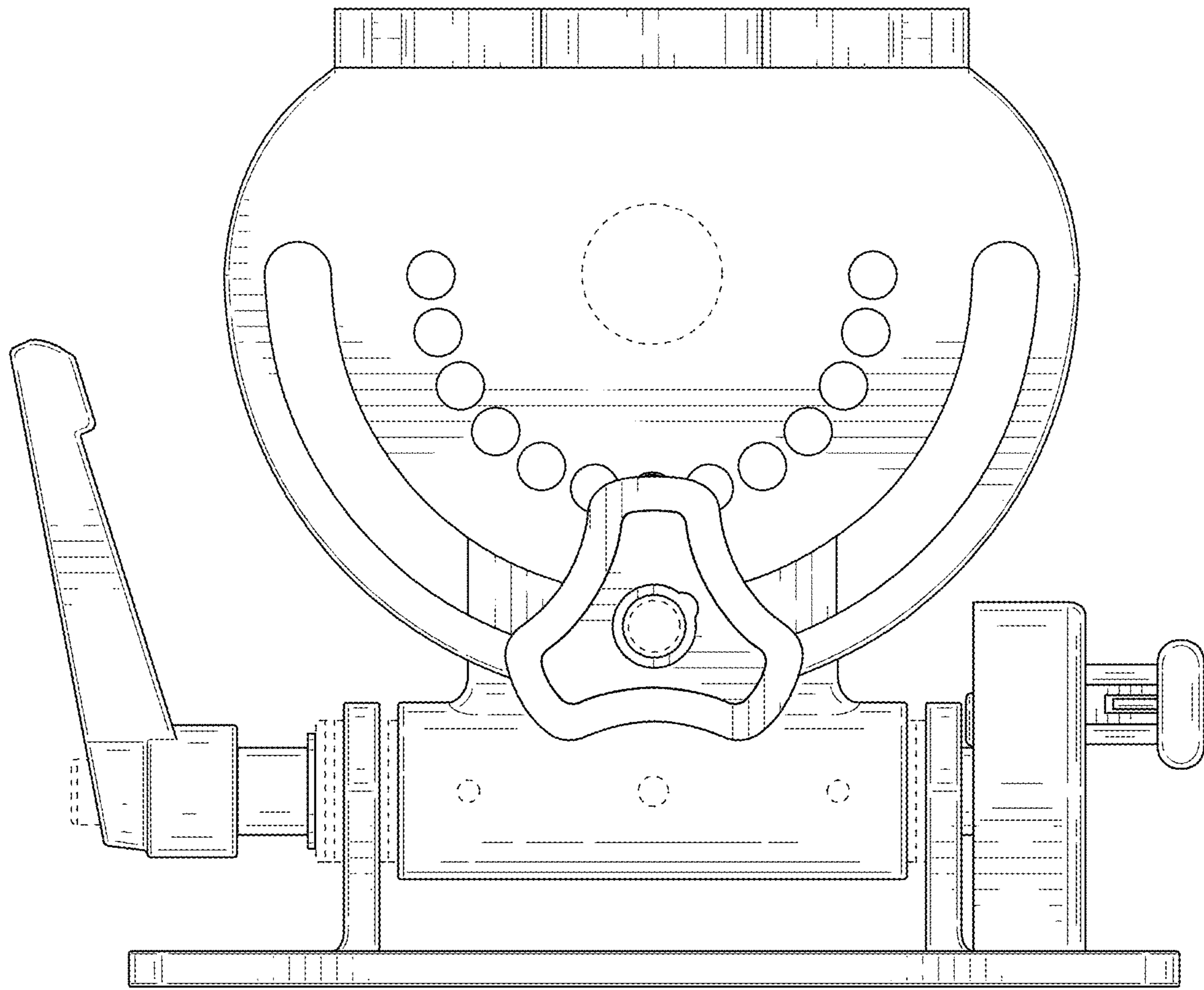


FIG. 4

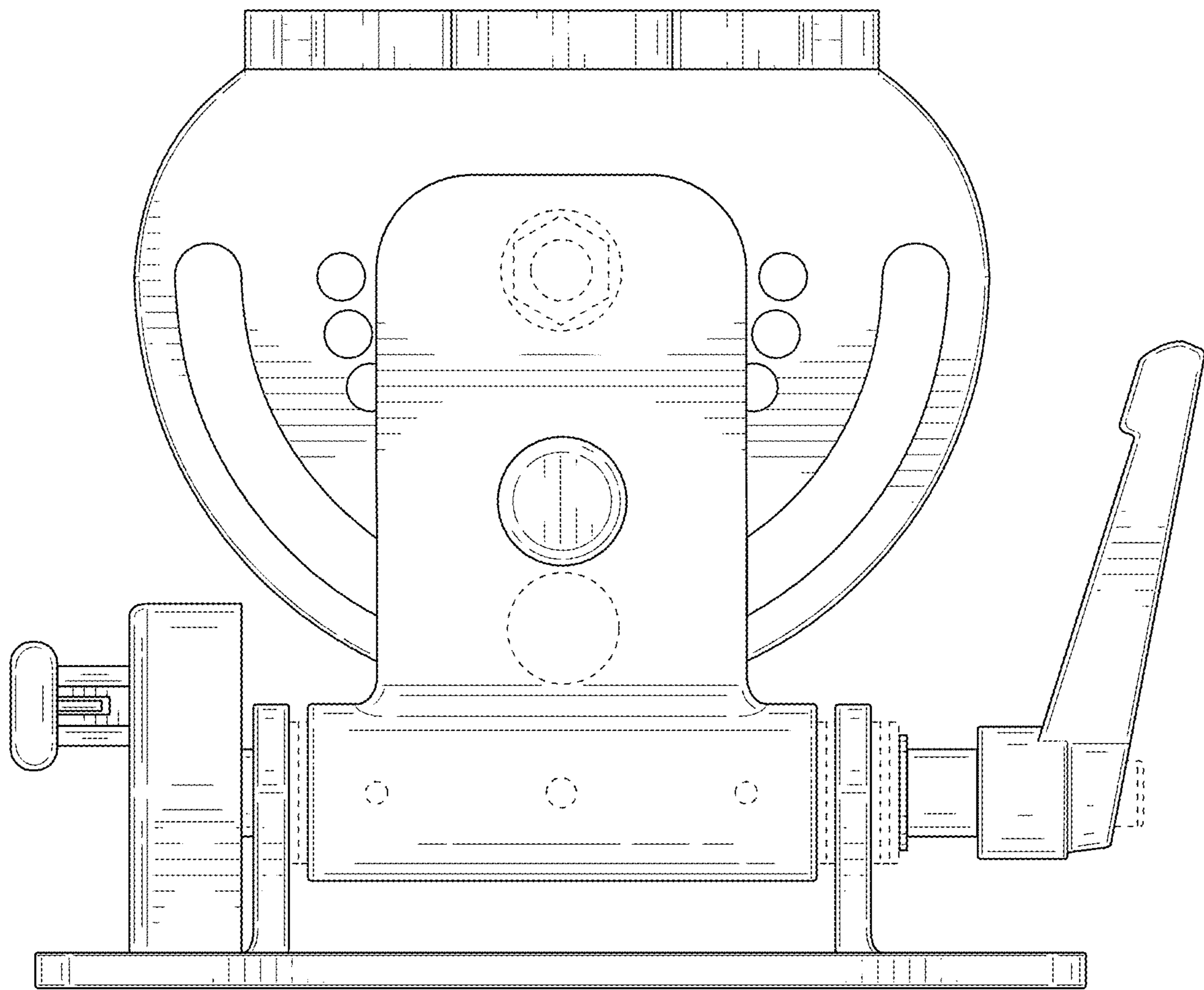


FIG. 5

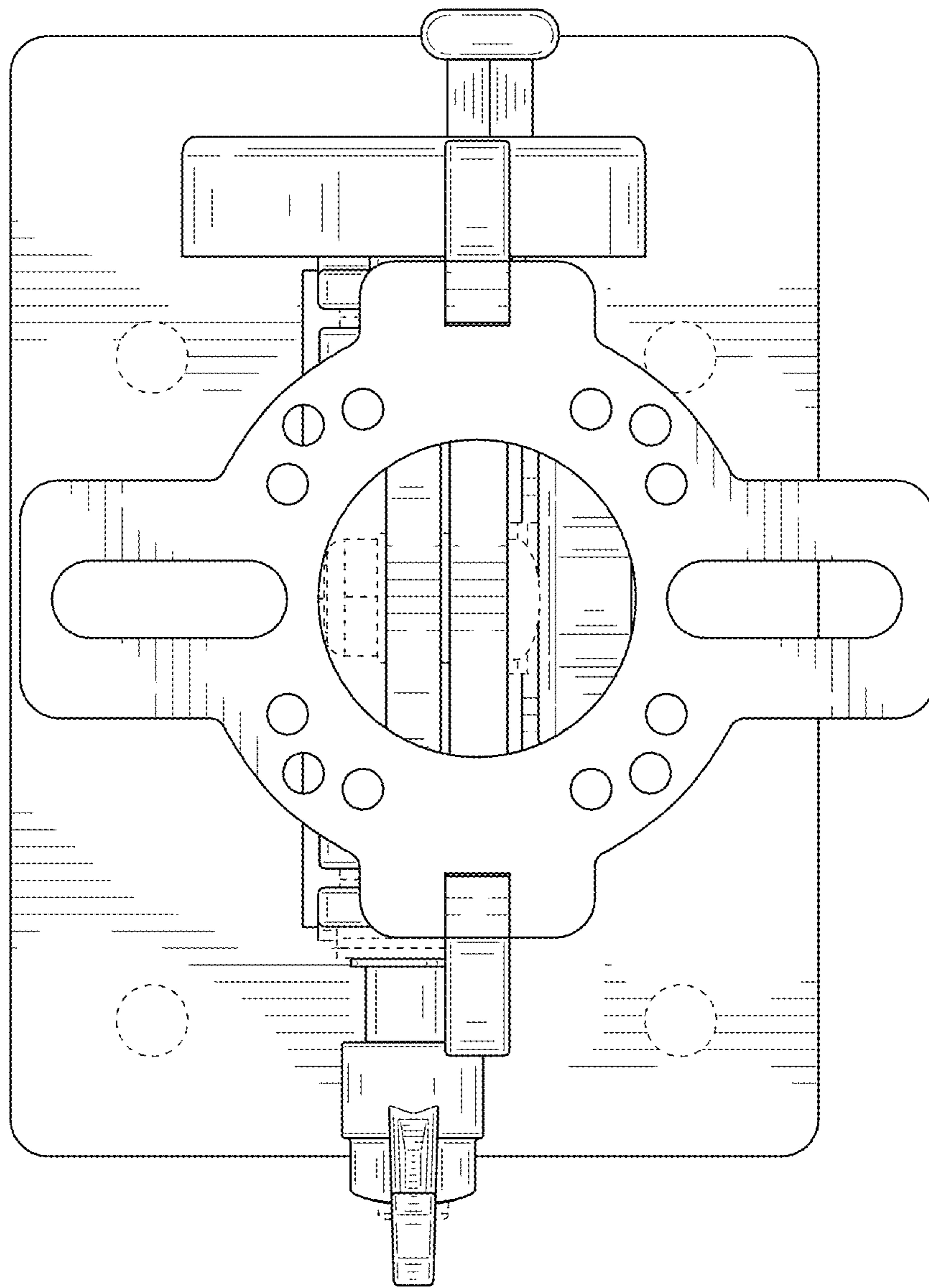


FIG. 6

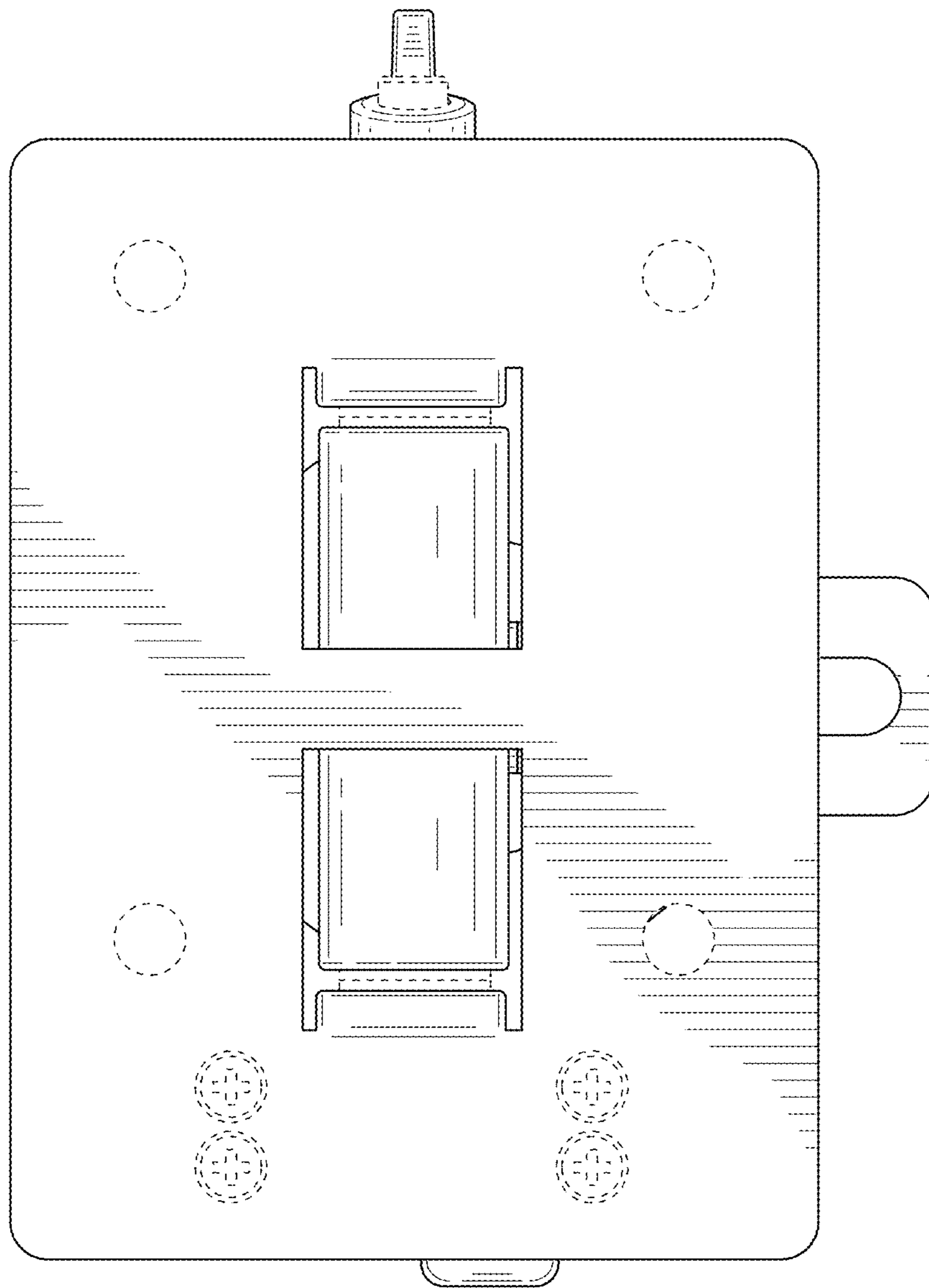


FIG. 7