



US00D975065S

(12) **United States Design Patent**
Laffon de Mazieres et al.

(10) **Patent No.:** **US D975,065 S**
(45) **Date of Patent:** **** Jan. 10, 2023**

- (54) **EARBUD**
- (71) Applicant: **Amazon Technologies, Inc.**, Seattle, WA (US)
- (72) Inventors: **Emmanuel Laffon de Mazieres**, Danville, CA (US); **Giles David Matthew McWilliam**, San Francisco, CA (US)
- (73) Assignee: **Amazon Technologies, Inc.**, Seattle, WA (US)
- (**) Term: **15 Years**
- (21) Appl. No.: **29/837,340**
- (22) Filed: **May 4, 2022**

- D618,219 S 6/2010 Burgett et al.
 - D621,817 S 8/2010 Brickstad
 - D622,265 S 8/2010 Rye
 - D622,704 S 8/2010 Fahrendorff et al.
 - D622,705 S 8/2010 Fahrendorff et al.
- (Continued)

FOREIGN PATENT DOCUMENTS

- CN 306686820 7/2021
 - CN 306695467 7/2021
- (Continued)

OTHER PUBLICATIONS

The Chinese Office Action dated Mar. 16, 2021 for Chinese Design Patent Application No. 202030711034.8, a counterpart of Design U.S. Appl. No. 29/735,885, 1 page.

(Continued)

Primary Examiner — Paula Allen Greene
(74) *Attorney, Agent, or Firm* — Lee & Hayes, P.C.

(57) **CLAIM**

The ornamental design for an earbud, as shown and described.

DESCRIPTION

FIG. 1 is a front, right-side perspective view of an earbud showing the new design, a mirror image earbud is evident from the earbud shown;

FIG. 2 is a front, left-side perspective view thereof;

FIG. 3 is a back, left-side perspective view thereof;

FIG. 4 is a front view thereof;

FIG. 5 is a back view thereof;

FIG. 6 is a left-side view thereof;

FIG. 7 is a right-side view thereof;

FIG. 8 is a top view thereof; and,

FIG. 9 is a bottom view thereof.

The dashed broken lines depict portions of the earbud that form no part of the claimed design.

1 Claim, 9 Drawing Sheets

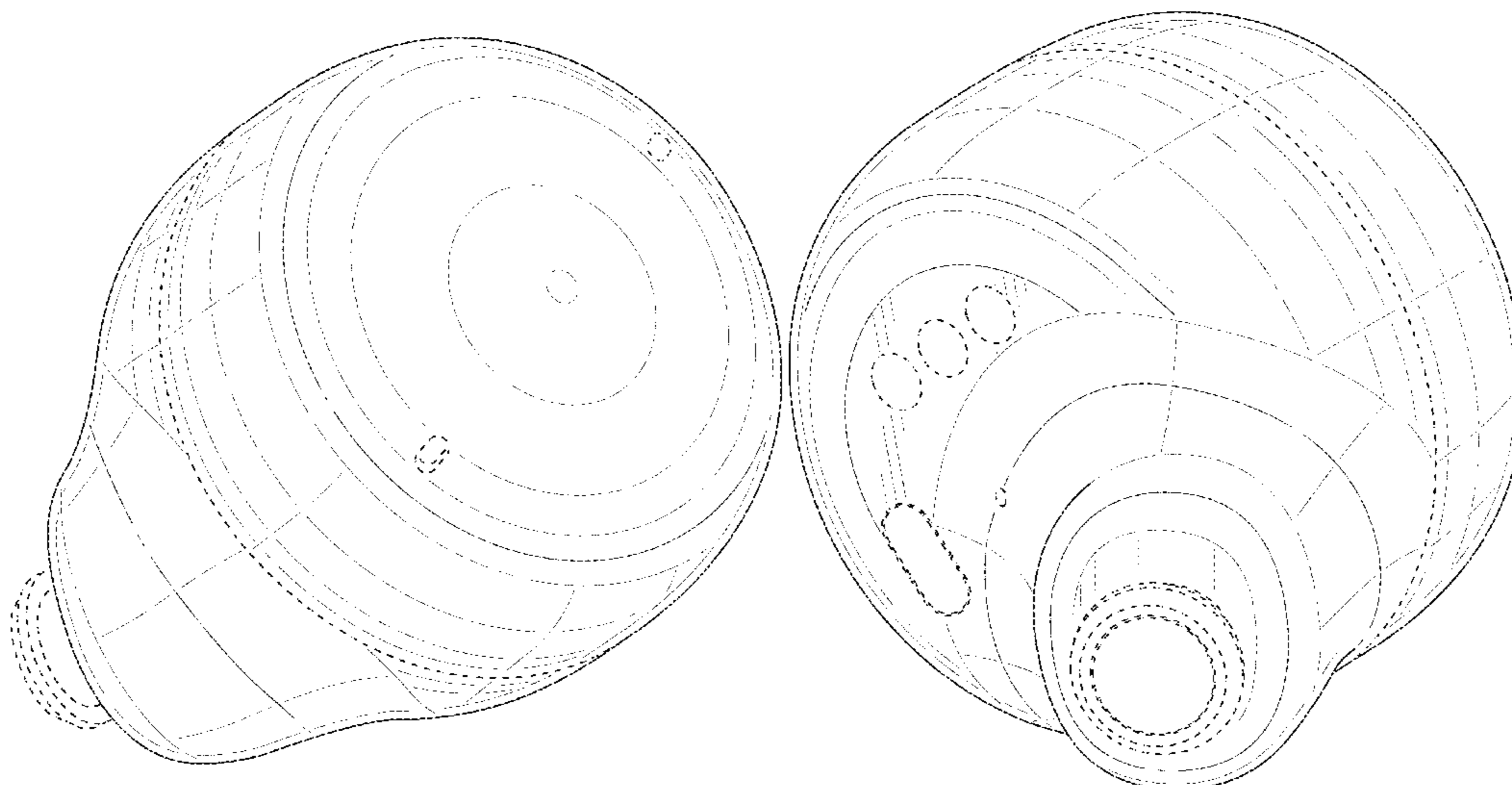
Related U.S. Application Data

- (62) Division of application No. 29/735,885, filed on May 26, 2020, now Pat. No. Des. 954,684.
 - (51) **LOC (14) Cl.** **14-01**
 - (52) **U.S. Cl.**
USPC **D14/223**
 - (58) **Field of Classification Search**
USPC D14/223, 205; D24/174; 128/864–866; 381/380–381
CPC H04R 1/10; H04R 25/00; H04R 25/02; H04R 1/1066; H04R 1/1016; H04R 5/033; H04R 5/0335; H04R 1/1083; H04R 1/1041; H04R 1/1058; H04R 1/1091
- See application file for complete search history.

(56) **References Cited**

U.S. PATENT DOCUMENTS

- 4,702,238 A 10/1987 Scott
- D532,110 S 11/2006 Bailey et al.
- D576,610 S 9/2008 Johnson
- D601,134 S 9/2009 Elabidi et al.



(56)

References Cited

U.S. PATENT DOCUMENTS

D628,188 S 11/2010 Koch
 D628,990 S 12/2010 Pedersen
 D632,282 S 2/2011 Kitayama
 D638,398 S 5/2011 Morison
 7,965,855 B1 6/2011 Ham
 D644,212 S 8/2011 Quek
 D644,213 S 8/2011 Quek
 D645,458 S 9/2011 Silvestri et al.
 8,111,864 B2 2/2012 Oliveira et al.
 8,311,253 B2 11/2012 Silvestri et al.
 D678,868 S 3/2013 Feng et al.
 8,406,448 B2 3/2013 Lin et al.
 D705,757 S 5/2014 Yashiro
 D712,880 S 9/2014 Lin
 D714,260 S 9/2014 Han
 D716,770 S 11/2014 Bonahoom et al.
 D728,532 S 5/2015 Kurtz et al.
 D742,362 S 11/2015 Bonahoom et al.
 D744,456 S 12/2015 Pedersen
 D779,461 S 2/2017 Smith et al.
 D805,060 S 12/2017 Loermann et al.
 D814,443 S 4/2018 Sandanger
 D825,533 S 8/2018 Paschke et al.
 D841,626 S 2/2019 Tang
 D843,352 S 3/2019 Lee et al.
 D843,354 S 3/2019 Kumano
 D845,932 S * 4/2019 Lu D14/223
 D852,782 S 7/2019 Bergman et al.
 D866,530 S 11/2019 Birger
 D868,752 S 12/2019 Zhu
 D869,444 S 12/2019 Tang
 D870,079 S 12/2019 Yun
 D870,708 S 12/2019 Lindenberger
 D871,376 S 12/2019 Zhou
 D872,064 S 1/2020 Cai
 D873,248 S 1/2020 Weicheng et al.
 D873,805 S 1/2020 Yang et al.
 D876,398 S 2/2020 Cai
 D877,720 S 3/2020 Madramotoo et al.
 D883,262 S 5/2020 Wu
 10,692,482 B2 6/2020 Zhu
 D889,441 S * 7/2020 Lin D14/223
 D892,085 S 8/2020 Kim
 D895,581 S 9/2020 Wu
 D896,205 S 9/2020 Zhang et al.
 D897,319 S * 9/2020 Wang D14/223
 D897,322 S * 9/2020 Wei D14/223
 D900,064 S 10/2020 Laffon de Mazieres et al.
 D902,182 S 11/2020 Wang
 D902,185 S 11/2020 Xian
 D902,890 S 11/2020 Williamson et al.
 10,827,249 B1 11/2020 Pine et al.
 D904,350 S 12/2020 Zhou
 D905,664 S 12/2020 He

D908,667 S * 1/2021 He D14/223
 D910,602 S 2/2021 Feng
 D917,425 S * 4/2021 Wang D14/223
 D920,958 S * 6/2021 Ye D14/223
 D923,610 S 6/2021 Bonahoom et al.
 D924,848 S 7/2021 Yang
 D925,497 S 7/2021 Laffon de Mazieres et al.
 D928,122 S 8/2021 Yoshida et al.
 D928,124 S 8/2021 Liu
 D928,742 S * 8/2021 Liu D14/223
 D930,620 S 9/2021 Lindenberger
 D939,479 S * 12/2021 Wang D14/223
 D941,278 S 1/2022 Laffon de Mazieres et al.
 D942,423 S * 2/2022 Reimann D14/223
 D945,405 S * 3/2022 Rose D14/223
 D948,483 S * 4/2022 Yoneyama D14/223
 D951,236 S * 5/2022 Laffon de Mazieres D14/223
 D954,683 S * 6/2022 Huang D14/223
 D954,684 S * 6/2022 Laffon de Mazieres D14/223
 D959,411 S * 8/2022 Ando D14/223
 2005/0147269 A1 7/2005 Oliveira et al.
 2011/0155147 A1 6/2011 McIntosh
 2012/0039501 A1 2/2012 Silvestri et al.
 2012/0114160 A1 5/2012 Lin
 2017/0094384 A1 3/2017 Trainer et al.
 2018/0160210 A1 * 6/2018 Begusch H04R 1/1091
 2018/0338194 A1 11/2018 Yu
 2019/0208307 A1 7/2019 Ogut et al.
 2019/0215595 A1 7/2019 Beaudoin et al.
 2020/0374632 A1 11/2020 Wang et al.
 2021/0298657 A1 9/2021 Won
 2021/0314695 A1 * 10/2021 Won H04R 1/1016
 2021/0352395 A1 * 11/2021 Wang H04R 1/1016
 2021/0409858 A1 12/2021 Sandanger et al.
 2022/0264215 A1 * 8/2022 Dragicevic H04R 1/1041

FOREIGN PATENT DOCUMENTS

CN 307090881 7/2021
 CN 306794551 8/2021
 CN 307082674 1/2022
 EM 008662530-0002 * 8/2021
 GB 6062040 * 5/2019
 GB 6216656 * 6/2022
 JP D1685720 * 4/2021
 WO WOD217051-001 8/2021

OTHER PUBLICATIONS

Korean Office Action dated Sep. 10, 2021 for Korean Patent Application 30-2020-57285, a foreign counterpart to US Patent No. , 2 pages.

Korean Office Action dated Sep. 10, 2021 for Korean Patent Application 30-2020-57286, a foreign counterpart to U.S. Appl. No. 29/735,885, 2 pages.

* cited by examiner

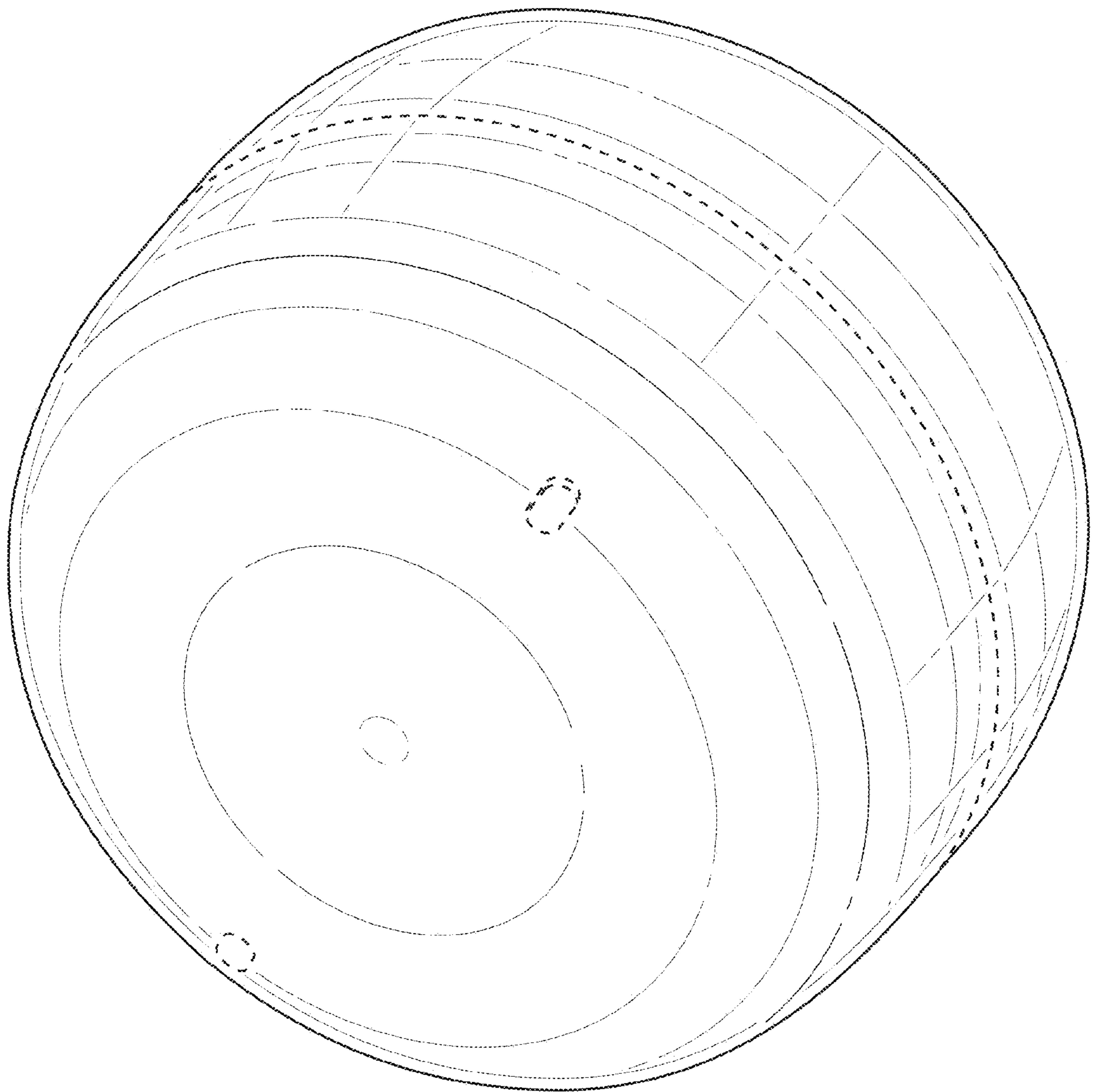


FIG. 1

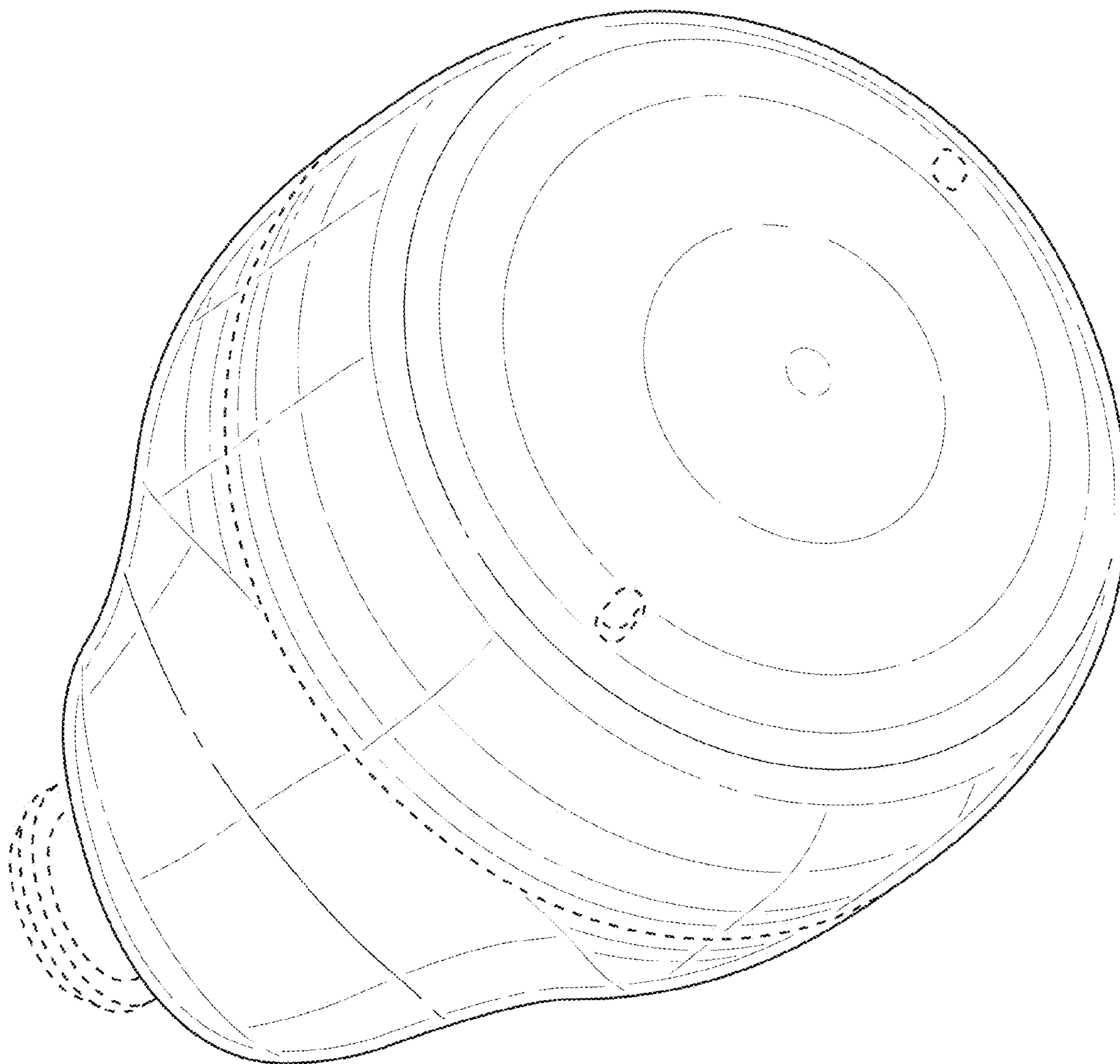


FIG. 2

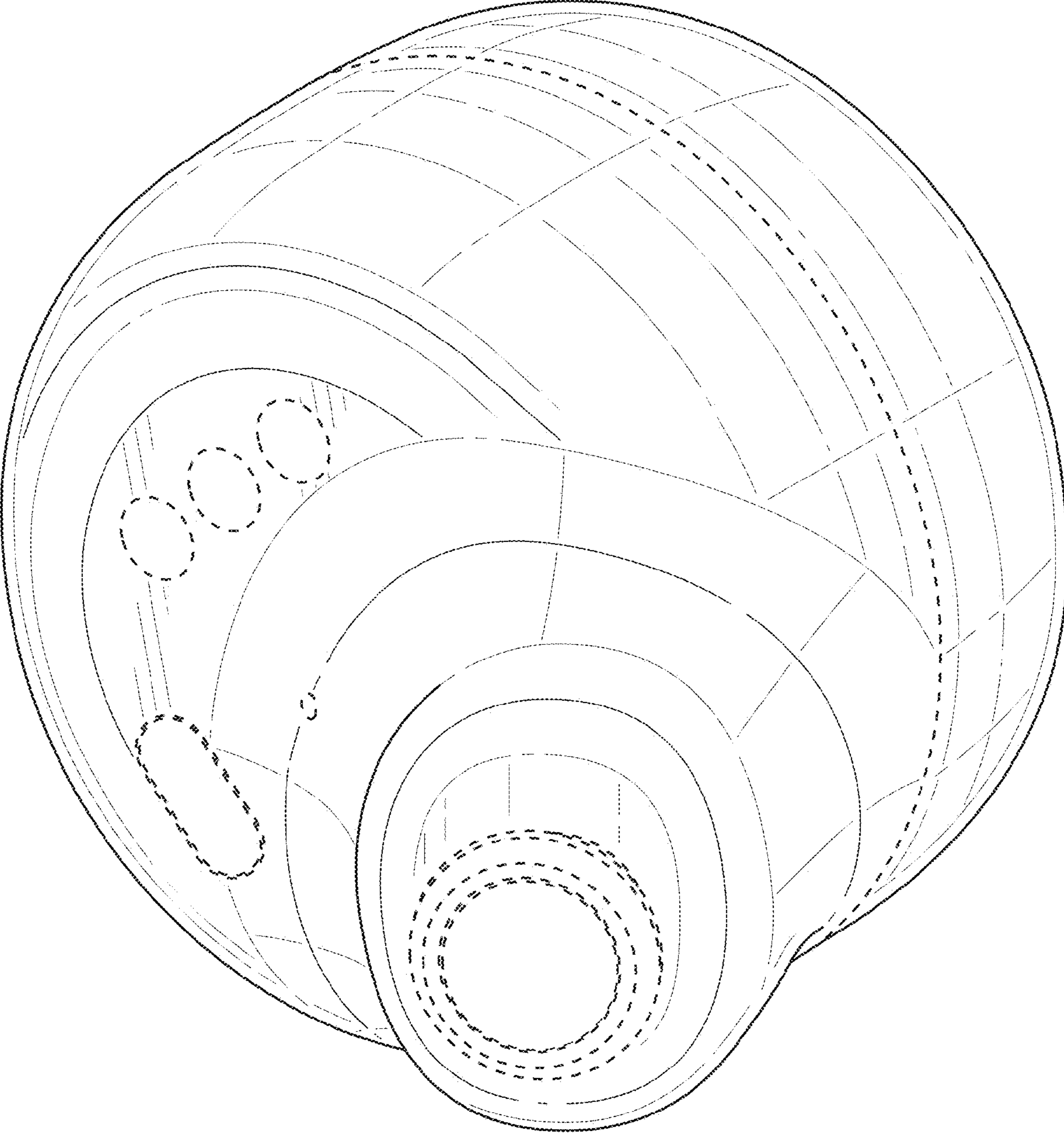


FIG. 3

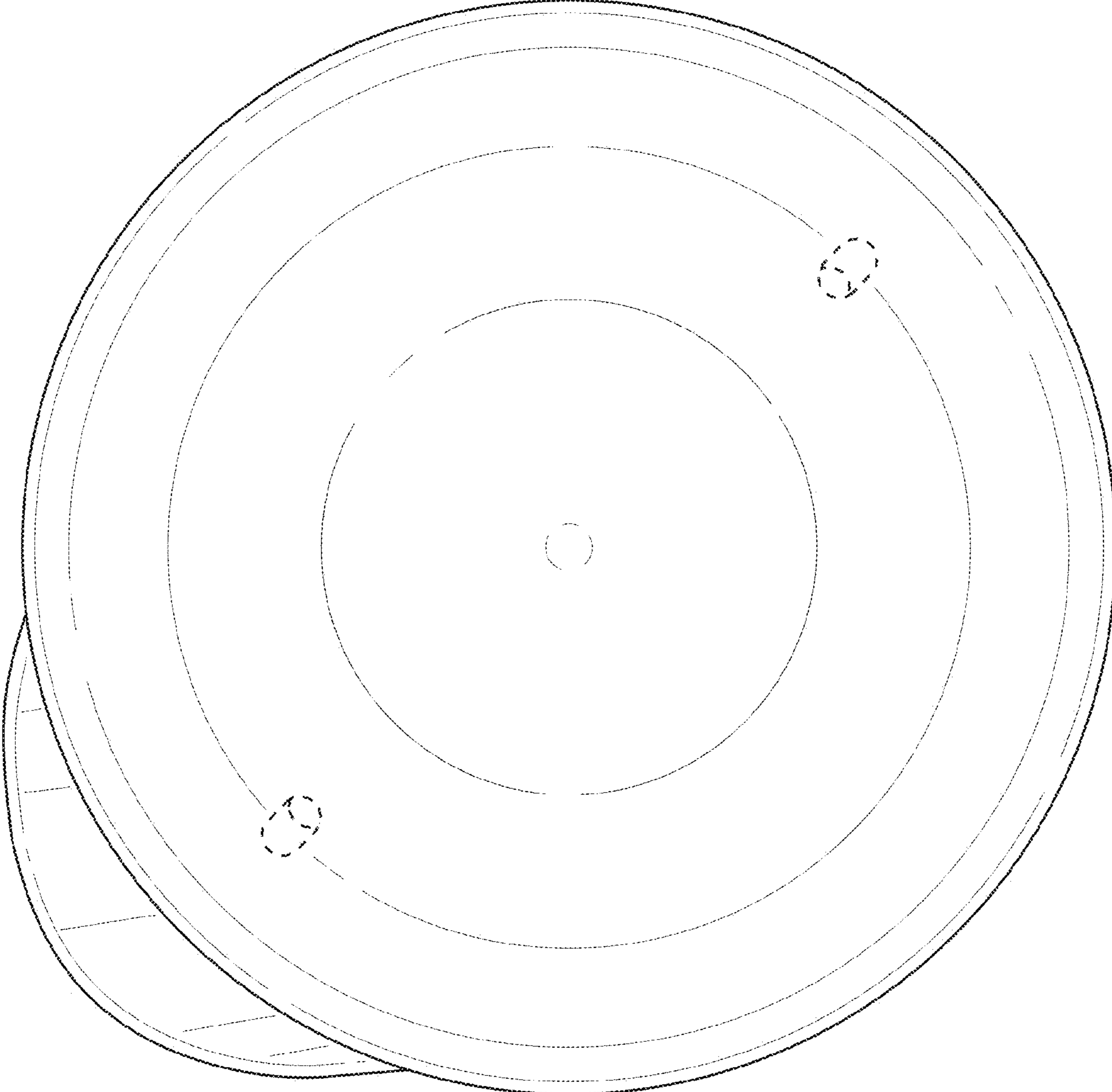


FIG. 4

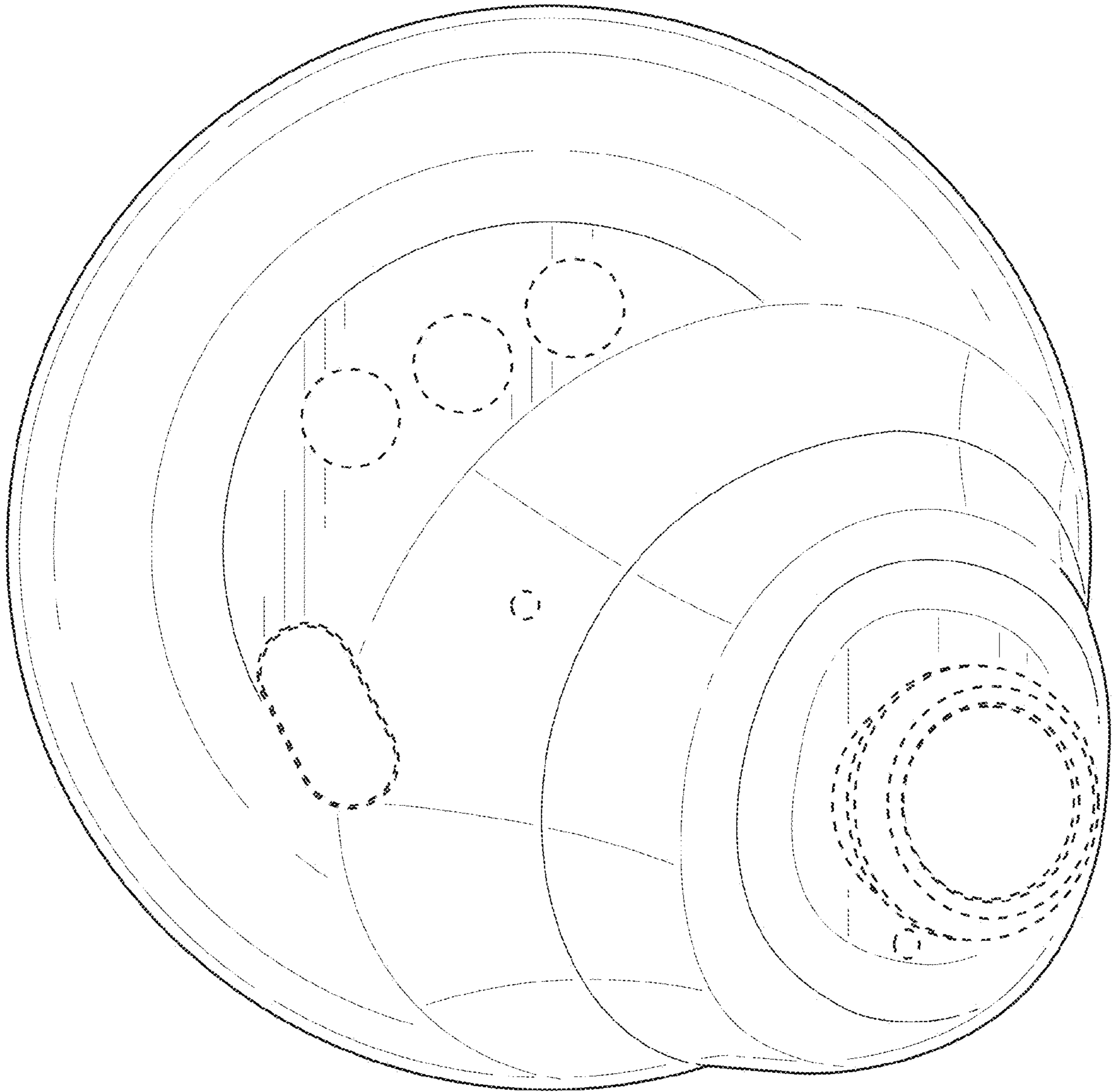


FIG. 5

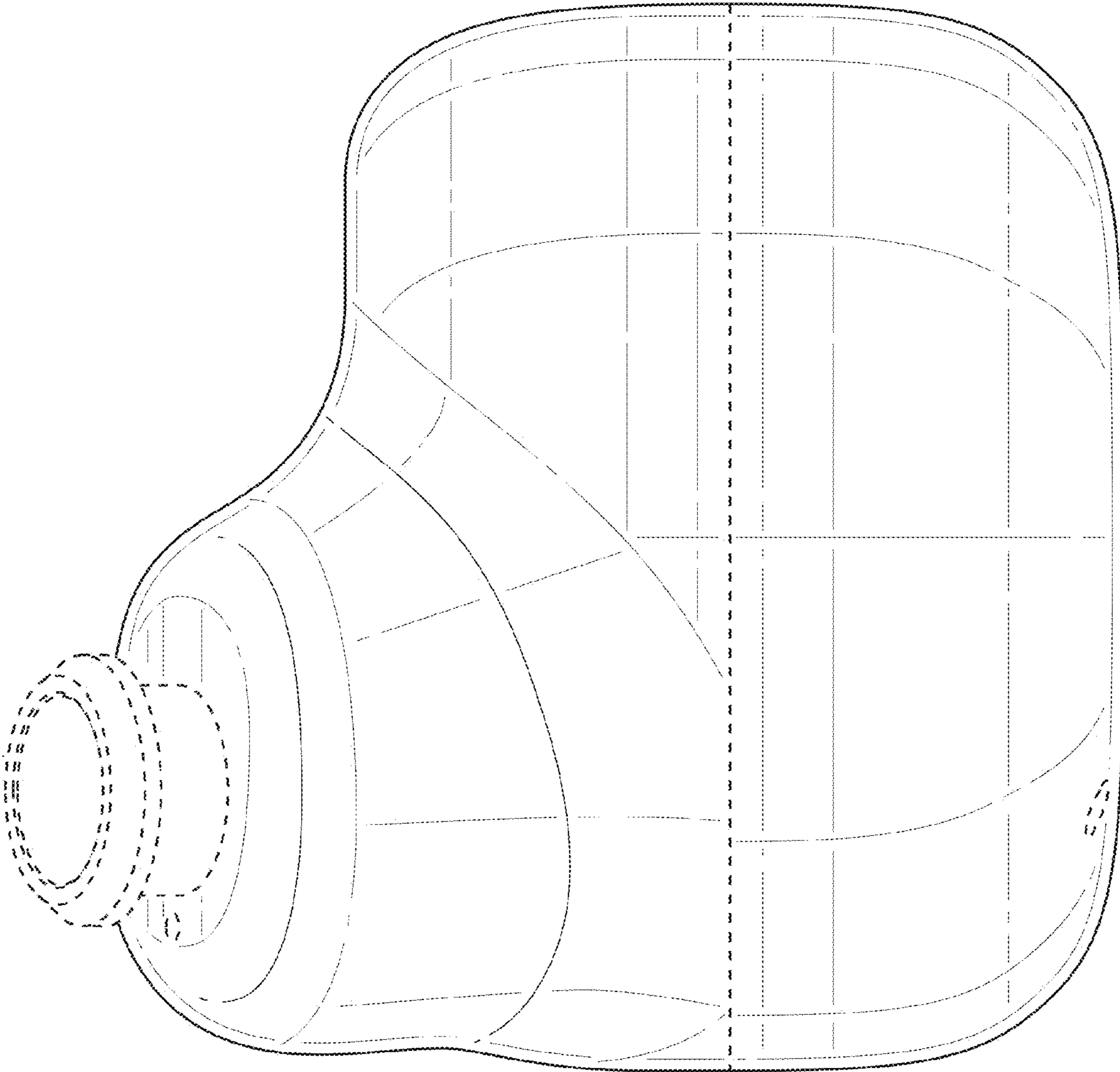


FIG. 6

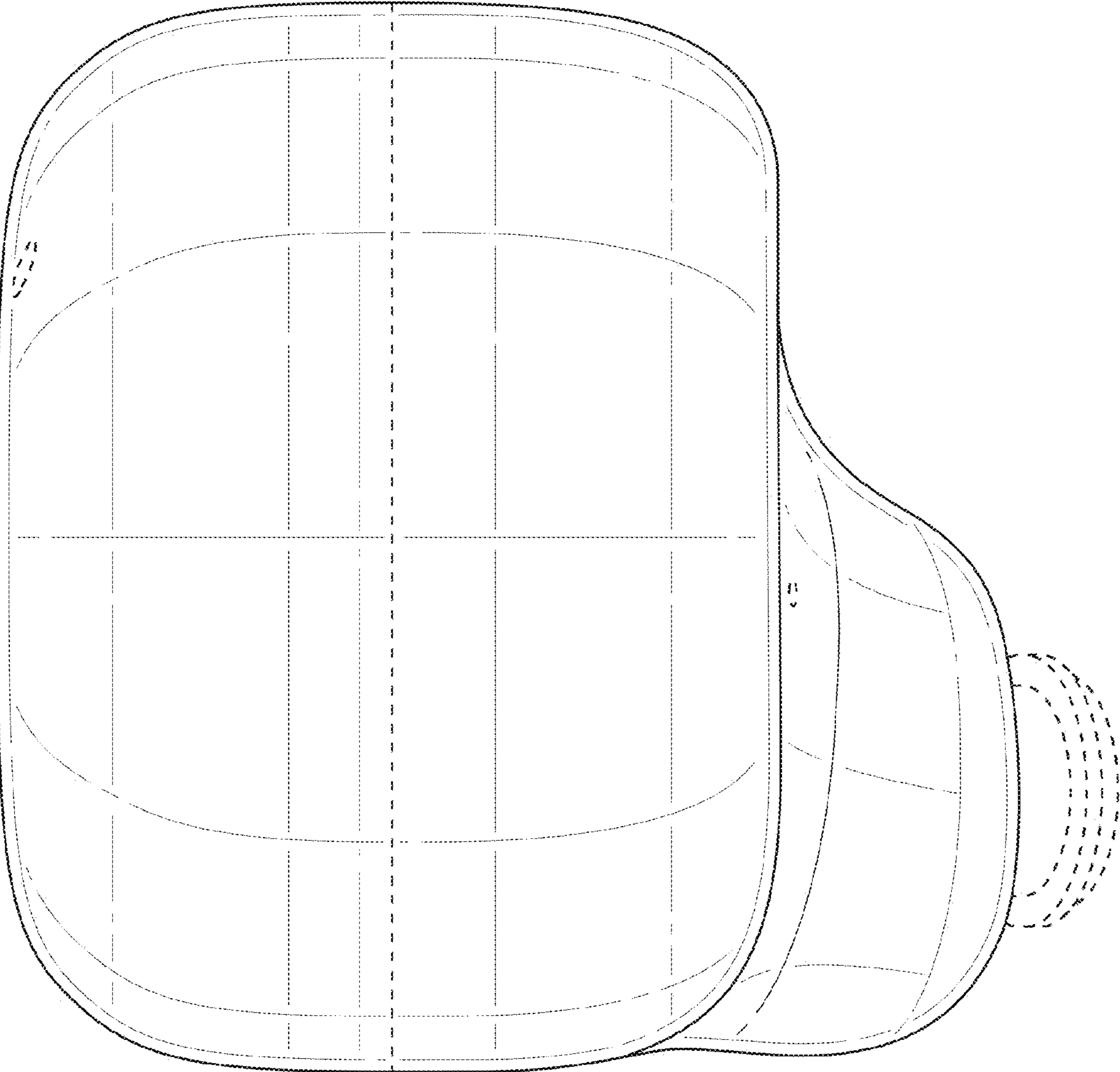


FIG. 7

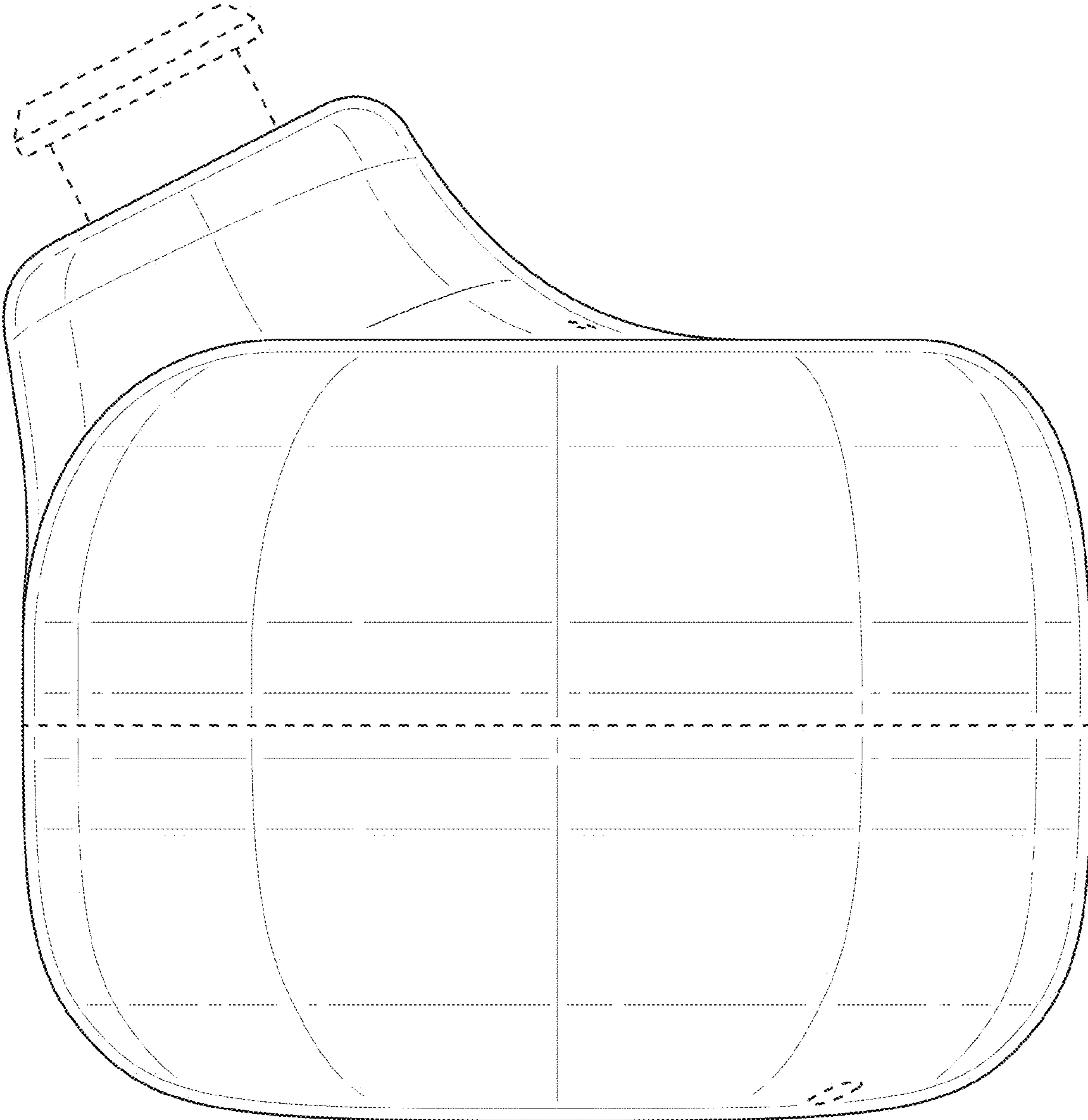


FIG. 8

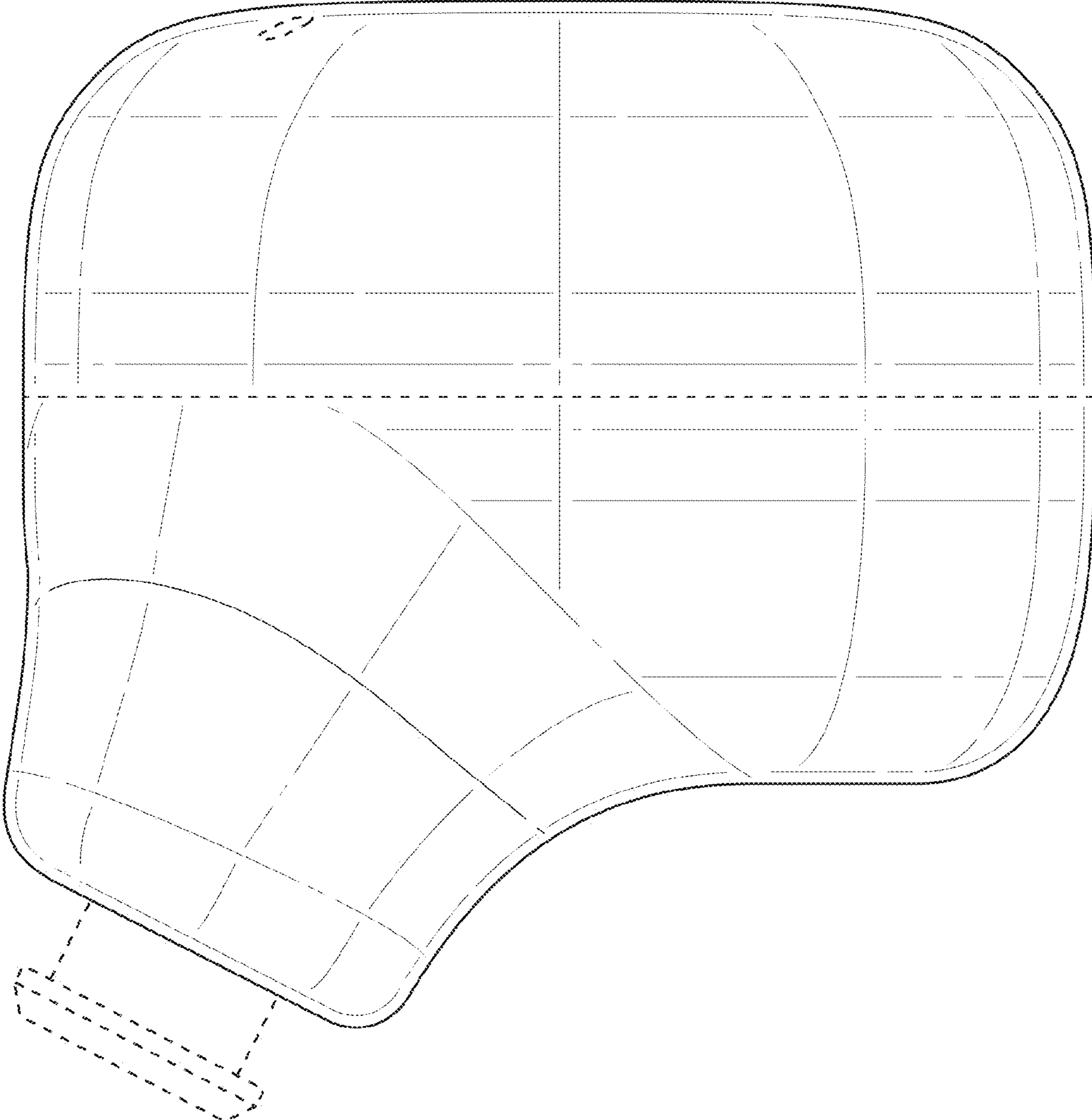


FIG. 9