



US00D975064S

(12) **United States Design Patent**  
**Laffon de Mazieres et al.**

(10) **Patent No.:** **US D975,064 S**  
(45) **Date of Patent:** **\*\* Jan. 10, 2023**

- (54) **EARBUD**
- (71) Applicant: **Amazon Technologies, Inc.**, Seattle, WA (US)
- (72) Inventors: **Emmanuel Laffon de Mazieres**, Danville, CA (US); **Marc Rene Walliser**, San Francisco, CA (US)
- (73) Assignee: **Amazon Technologies, Inc.**, Seattle, WA (US)
- (\*\*) Term: **15 Years**
- (21) Appl. No.: **29/832,659**
- (22) Filed: **Mar. 29, 2022**

4,249,057 A	2/1981	Schlegel et al.
D287,764 S	1/1987	Topholm
D287,765 S	1/1987	Topholm
4,672,672 A	6/1987	Eggert et al.
D295,173 S	4/1988	Oren
D300,528 S	4/1989	Drane
D305,022 S	12/1989	Hallgren et al.
D321,881 S	11/1991	Hopewell
D348,066 S	6/1994	Lucey
D374,658 S	10/1996	Bever et al.
D417,465 S	12/1999	Kreitz et al.
D464,630 S	10/2002	Woodworth
D469,411 S	1/2003	Decosse
D477,593 S	7/2003	Komiyama
D477,822 S	7/2003	Komiyama
D481,709 S	11/2003	Solderits
D505,411 S	5/2005	Sakai
D519,108 S	4/2006	Yang
D588,111 S	3/2009	Komiyama
D603,380 S	11/2009	Hutchieson
D620,884 S	8/2010	Lee et al.
D637,999 S	5/2011	Brunner et al.
D641,010 S	7/2011	Kwon
D642,163 S	7/2011	Lee et al.
D652,817 S	1/2012	Lee et al.
D652,822 S	1/2012	Lee et al.
D654,056 S	2/2012	Hoggarth et al.
D666,581 S	9/2012	Perez
8,406,448 B2	3/2013	Lin et al.
D685,764 S	7/2013	Coulter
8,565,466 B2	10/2013	Kuhr
D694,182 S	11/2013	Lee et al.
D699,226 S	2/2014	Yoon
D711,356 S	8/2014	Yang
D718,236 S	11/2014	Murray
D718,744 S	12/2014	Thompson et al.
D719,550 S	12/2014	Yang
D725,082 S	3/2015	Palmborg et al.
D726,145 S	4/2015	Hsieh et al.
D727,871 S	4/2015	Orbach
D728,107 S	4/2015	Torres Martin
D733,102 S	6/2015	Palmborg et al.
D733,103 S	6/2015	Jeong et al.
D735,131 S	7/2015	Akana et al.
D735,169 S	7/2015	Shieh
D738,863 S	9/2015	Laffon de Mazieres et al.
D742,861 S	11/2015	Miyake et al.
D764,445 S	8/2016	Czaniecki
D773,032 S	11/2016	Palmborg et al.
D773,437 S	12/2016	Lee et al.
D776,092 S	1/2017	Laffon de Mazieres et al.
D777,710 S	1/2017	Palmborg et al.
D778,267 S	2/2017	Hsieh et al.

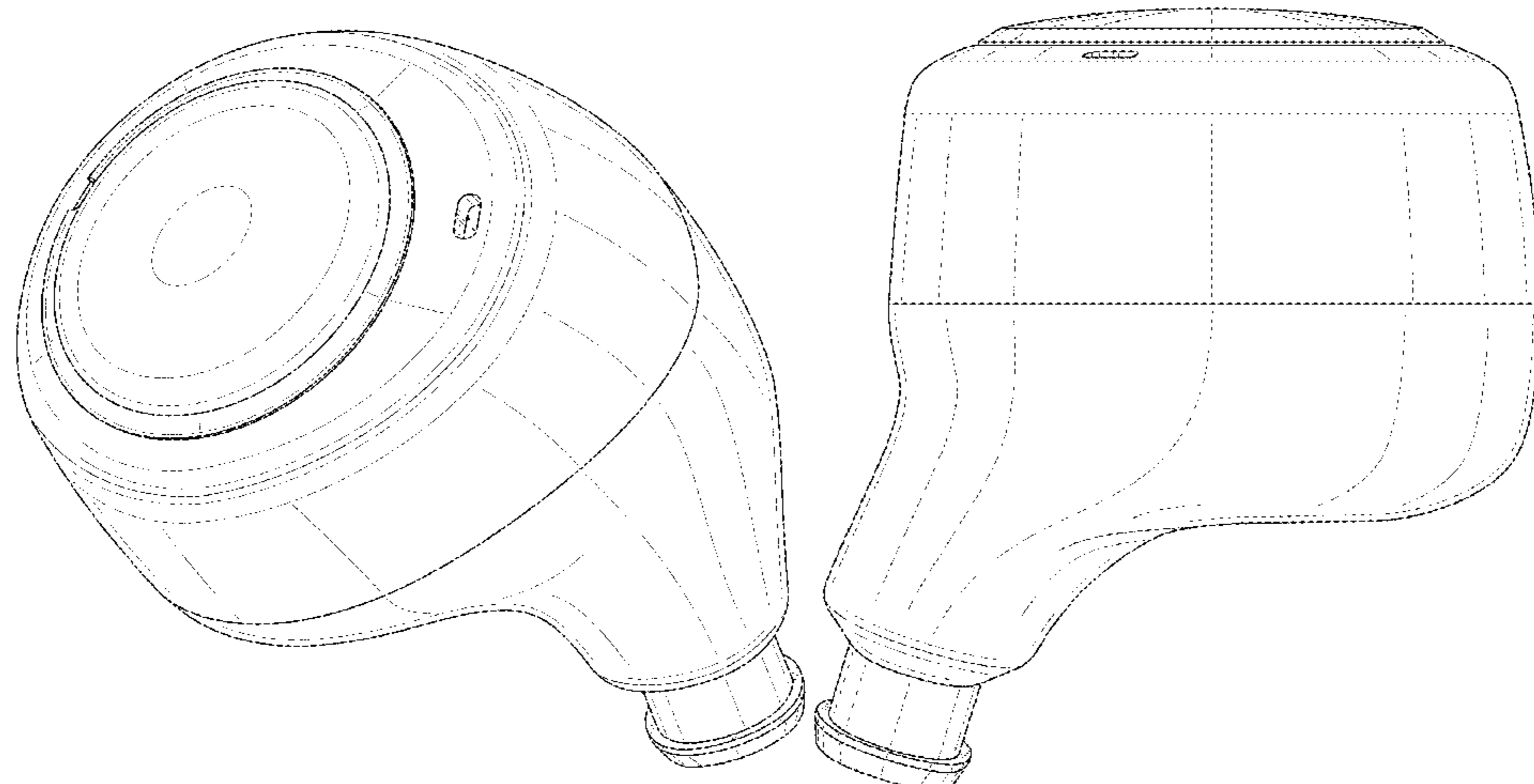
**Related U.S. Application Data**

- (62) Division of application No. 29/818,422, filed on Dec. 8, 2021, now Pat. No. Des. 951,236, which is a division of application No. 29/785,614, filed on May 26, 2021, now Pat. No. Des. 941,278, which is a division of application No. 29/747,826, filed on Aug. 25, 2020, now Pat. No. Des. 925,497, which is a division of application No. 29/671,625, filed on Nov. 28, 2018, now Pat. No. Des. 900,064.
- (51) **LOC (14) Cl.** ..... **14-01**
- (52) **U.S. Cl.**  
USPC ..... **D14/223**
- (58) **Field of Classification Search**  
USPC ..... D14/223, 205; D24/174; 128/864-866; 381/380-381  
CPC ..... H04R 1/10; H04R 25/00; H04R 25/02; H04R 1/1066; H04R 1/1016; H04R 5/033; H04R 5/0335; H04R 1/1083; H04R 1/1041; H04R 1/1058  
See application file for complete search history.

(56) **References Cited**

**U.S. PATENT DOCUMENTS**

D184,840 S 4/1959 Voorlas  
D236,988 S 9/1975 Walters



D781,269 S	3/2017	Choe et al.	
D782,997 S	4/2017	Shin et al.	
D782,998 S	4/2017	Shin et al.	
D788,079 S	5/2017	Son et al.	
D795,225 S	8/2017	Sumii	
D798,843 S	10/2017	Valenzuela et al.	
D800,097 S	10/2017	Chen	
D801,951 S	11/2017	Bao et al.	
D806,879 S	1/2018	Horbinski et al.	
D809,487 S	2/2018	Lee et al.	
D812,042 S	3/2018	Xiao	
D813,206 S	3/2018	Tang et al.	
D818,900 S	5/2018	Waterhouse et al.	
D824,371 S	7/2018	Loermann	
D841,627 S	2/2019	Wen	
10,234,133 B2	3/2019	Hirsch et al.	
D845,932 S *	4/2019	Lu .....	D14/223
D847,126 S	4/2019	Loermann	
D852,782 S	7/2019	Bergman et al.	
D858,489 S	9/2019	Hu	
D863,260 S	10/2019	Zheng	
D864,167 S	10/2019	Wu	
D868,729 S	12/2019	Czaniecki	
D868,752 S	12/2019	Zhu	
D870,707 S	12/2019	Yang	
D871,376 S	12/2019	Zhou	
D873,248 S	1/2020	Weicheng et al.	
D875,714 S	2/2020	Kim et al.	
D879,074 S	3/2020	Komiya et al.	
D880,457 S	4/2020	Zhu	
D883,257 S	5/2020	Duddy	
D883,261 S	5/2020	Zhang	
D883,958 S	5/2020	Liu	
D884,681 S	5/2020	Zhang	
D885,372 S	5/2020	Wang	
D887,395 S	6/2020	Wang	
D889,441 S *	7/2020	Lin .....	D14/223
D892,085 S	8/2020	Kim	
D895,580 S	9/2020	Yu	
D897,319 S *	9/2020	Wang .....	D14/223
D897,322 S *	9/2020	Wei .....	D14/223
D899,405 S	10/2020	Vaclavik et al.	
D900,064 S	10/2020	Laffon de Mazieres et al.	
D902,892 S	11/2020	Liu	
D903,638 S	12/2020	Li	
D906,292 S	12/2020	Wang	
D908,667 S *	1/2021	He .....	D14/223
D917,425 S *	4/2021	Wang .....	D14/223
D920,958 S *	6/2021	Ye .....	D14/223
D922,358 S	6/2021	Li	
D924,207 S	7/2021	Li	
D925,492 S	7/2021	Sugiura et al.	
D925,497 S	7/2021	Laffon de Mazieres et al.	
D927,466 S	8/2021	Zhang et al.	
D928,742 S *	8/2021	Liu .....	D14/223
D929,378 S	8/2021	Li	
D930,622 S	9/2021	Lin	
D939,479 S *	12/2021	Wang .....	D14/223
D941,275 S	1/2022	Liu et al.	
D941,278 S	1/2022	Laffon de Mazieres et al.	
D941,805 S	1/2022	Li	
D942,423 S *	2/2022	Reimann .....	D14/223
D945,405 S *	3/2022	Rose .....	D14/223
D948,483 S *	4/2022	Yoneyama .....	D14/223
D951,236 S *	5/2022	Laffon de Mazieres ....	D14/223
D954,683 S *	6/2022	Huang .....	D14/223
D954,684 S *	6/2022	Laffon de Mazieres ....	D14/223
D959,411 S *	8/2022	Ando .....	D14/223
2007/0263896 A1	11/2007	Chen	
2011/0293130 A1	12/2011	Huang	
2012/0114160 A1	5/2012	Lin	
2018/0160210 A1 *	6/2018	Begusch .....	H04R 1/1091
2020/0186906 A1	6/2020	Birch	
2021/0250676 A1	8/2021	Kim et al.	
2021/0289280 A1	9/2021	Ko et al.	
2021/0314695 A1 *	10/2021	Won .....	H04R 1/1016
2021/0352395 A1 *	11/2021	Wang .....	H04R 1/1016
2022/0264215 A1 *	8/2022	Dragicevic .....	H04R 1/1041

FOREIGN PATENT DOCUMENTS

CA	197842	10/2020
CN	304651069	5/2018
CN	304699287	6/2018
CN	304731742	7/2018
CN	30503654	3/2019
CN	305485217	12/2019
CN	305595436	2/2020
CN	305774632	5/2020
CN	305938588	7/2020
CN	306531206	5/2021
EM	004170959-0001	8/2017
EM	004360519-0001	10/2017
EM	004556629-0001	1/2018
EM	001474134	9/2019
EM	006810230	9/2019
EM	007341722-0002	12/2019
EM	008662530-0002	* 8/2021
GB	6062040	* 5/2019
GB	614033	5/2021
GB	6216656	* 6/2022
IN	317708-001-0001	5/2019
IN	351461-001-0001	10/2021
JP	D1693798	8/2021
TW	214374-0001	10/2019
WO	WOD213261-001	3/2021

OTHER PUBLICATIONS

Canadian Office Action dated Oct. 2, 2020 for Canadian Design Application No. 187447, a counterpart foreign application of U.S. Pat. No. D. 900,064, 2 pages.

Canadian Office Action dated Mar. 25, 2021 for Canadian Patent Application No. 187447, a counterpart foreign application of U.S. Pat. No. D. 900,064, 1 page.

Canadian Office Action dated Mar. 25, 2021 for Canadian Design Application No. 196959, a counterpart foreign application of U.S. Pat. No. D. 900,064, 2 pages.

Canadian Office Action dated Apr. 20, 2020 for Canadian Patent Application No. 187447, a counterpart of U.S. Appl. No. 29/671,625, 3 pages.

Canadian Office Action dated May 7, 2021 for Canadian Design Application No. 196958, a counterpart foreign application of U.S. Pat. No. D. 900,064, 2 pages.

Chinese Office Action dated Oct. 9, 2019 for Chinese Design Application No. 201930257281.2, a counter part of Design U.S. Appl. No. 29/671,625, 1 pages.

Indian Office Action dated Jun. 21, 2019 for Indian Patent Application No. 317708-001, a counter part of U.S. Appl. No. 29/671,625, 2 pages.

Office Action for U.S. Appl. No. 29/671,625, dated Mar. 13, 2020, Mazieres, "Earbud", 6 Pages.

\* cited by examiner

Primary Examiner — Paula Allen Greene  
(74) Attorney, Agent, or Firm — Lee & Hayes, P.C.

(57) CLAIM

The ornamental design for an earbud, as shown and described.

DESCRIPTION

FIG. 1 is a top perspective view of an earbud showing the new design; the mirror image earbud is evident from the earbud shown;

FIG. 2 is a front view thereof;

FIG. 3 is a back view thereof;

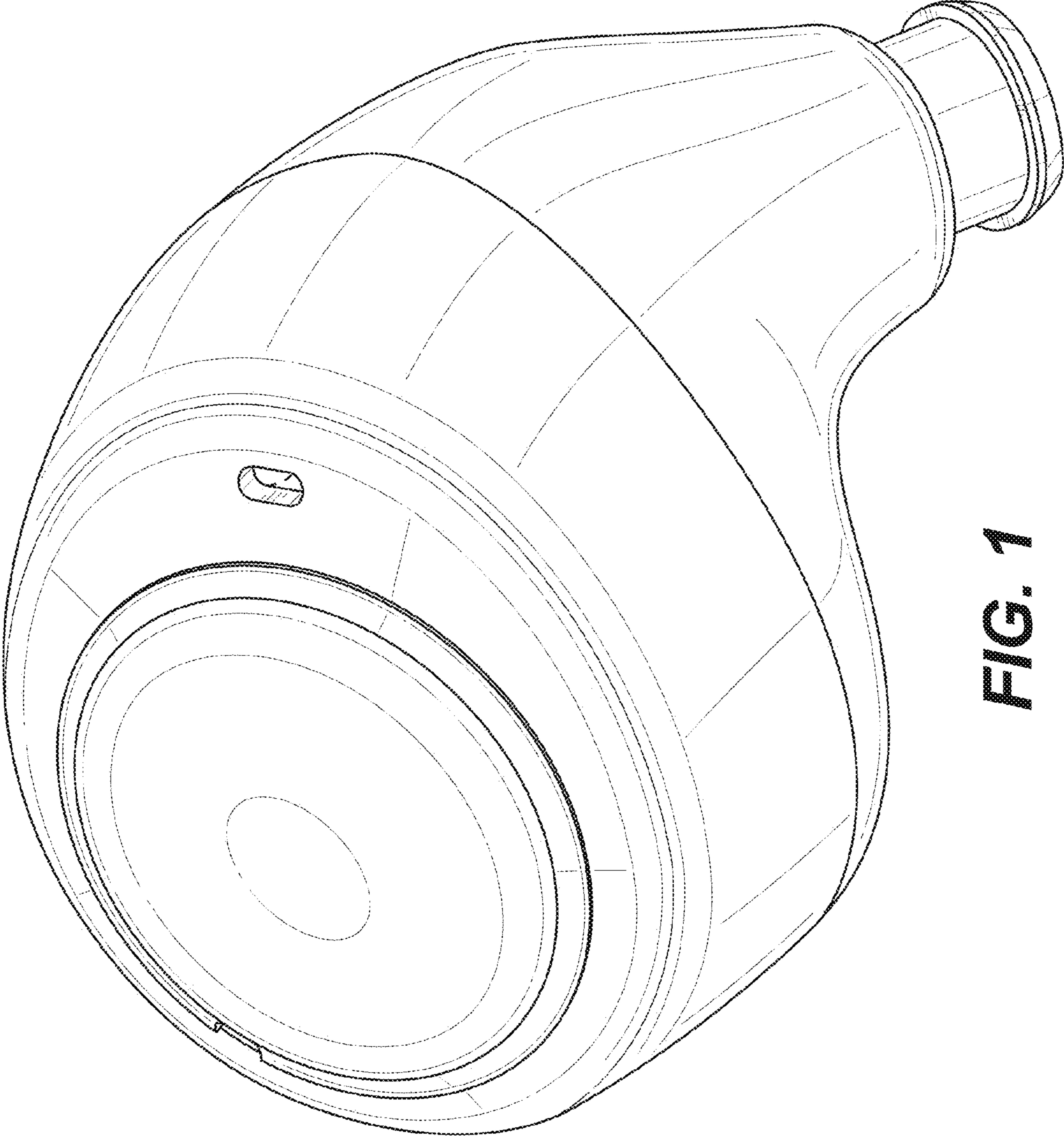
FIG. 4 is a left-side view thereof;

FIG. 5 is a right-side view thereof;

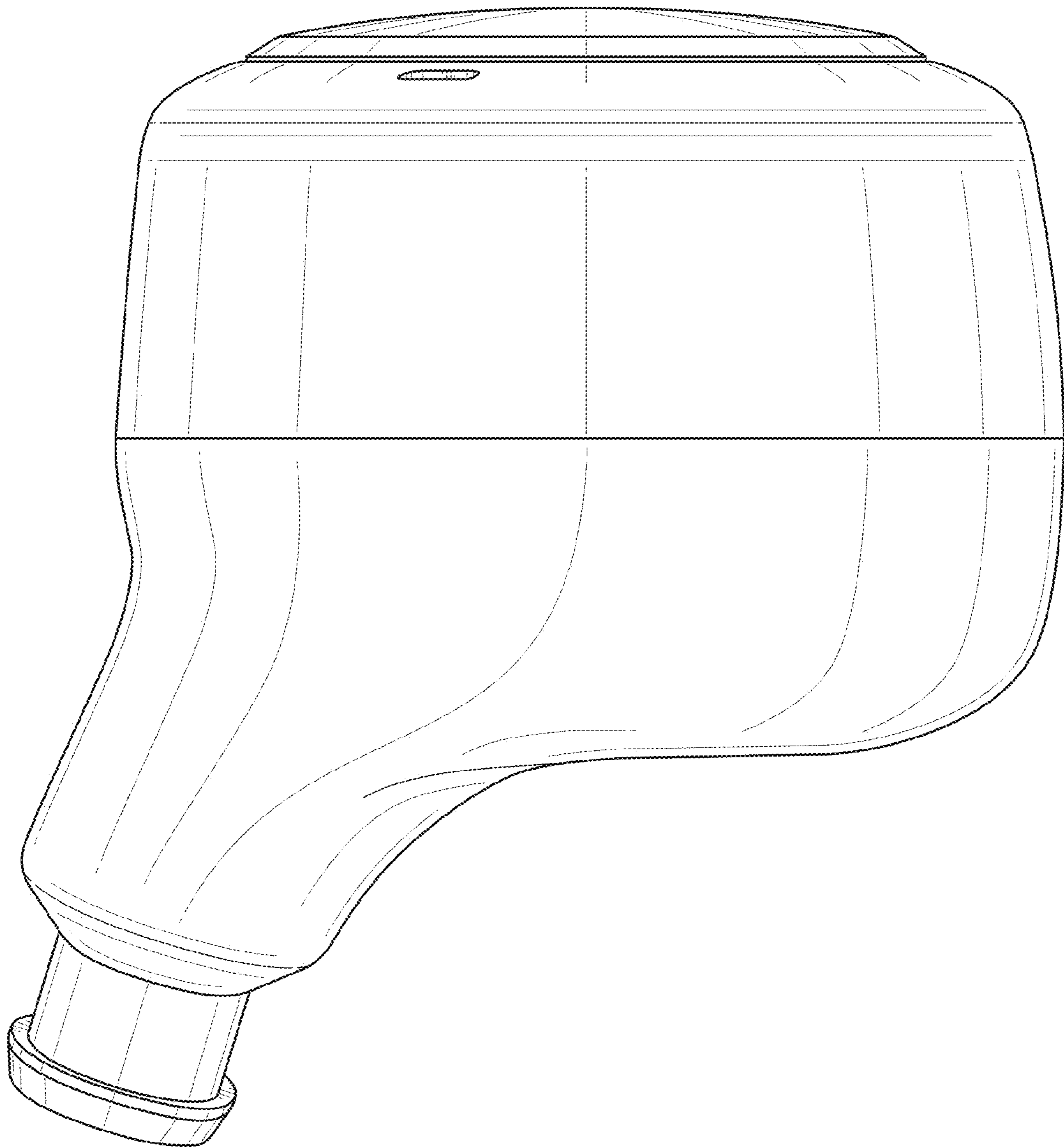
FIG. 6 is a top view thereof; and,  
FIG. 7 is a bottom view thereof.

The dashed broken lines depict portions of the earbud that form no part of the claimed design. The dot-dashed broken lines represent boundaries of the claimed earbud and form no part of the claimed design.

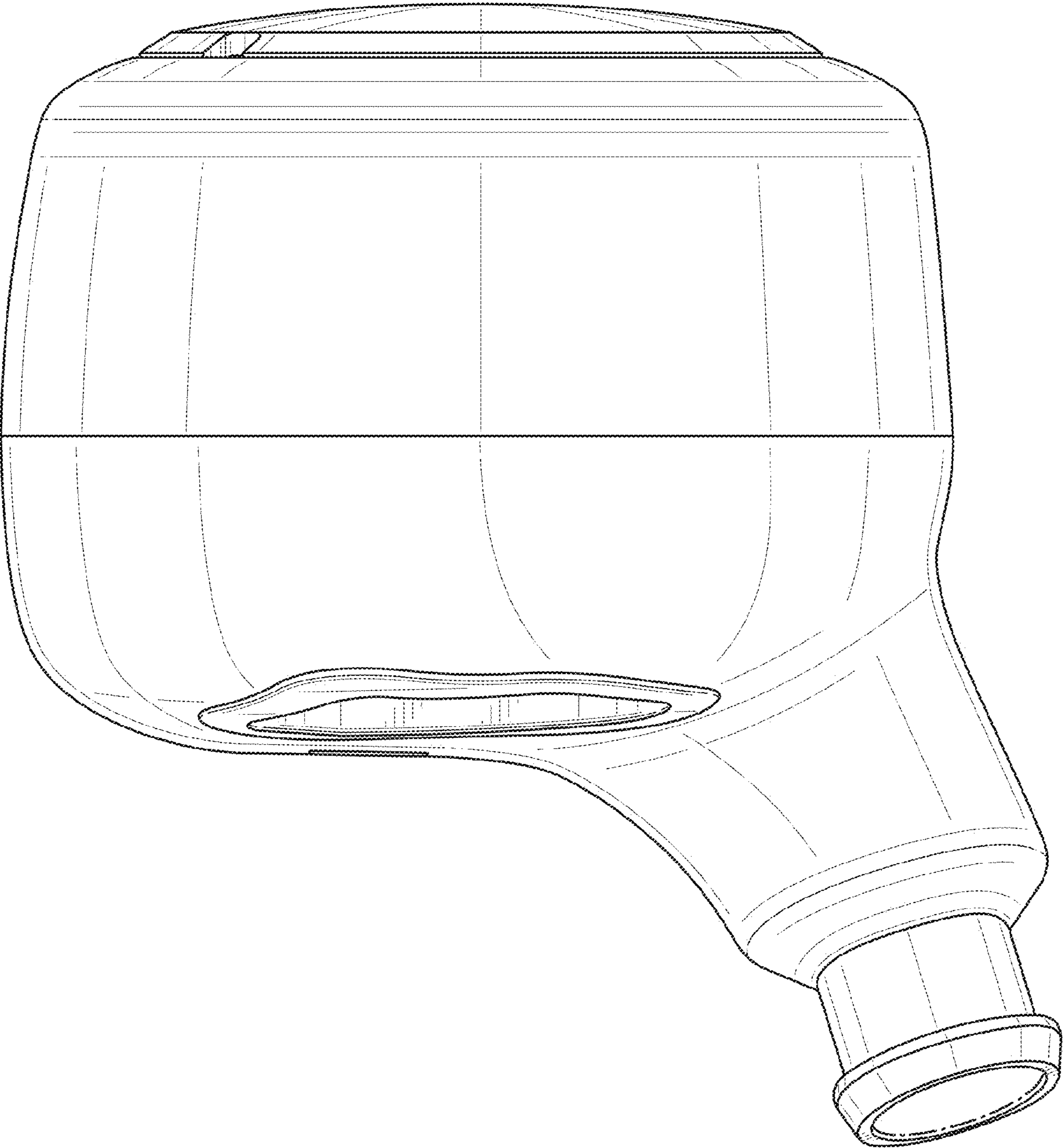
**1 Claim, 7 Drawing Sheets**



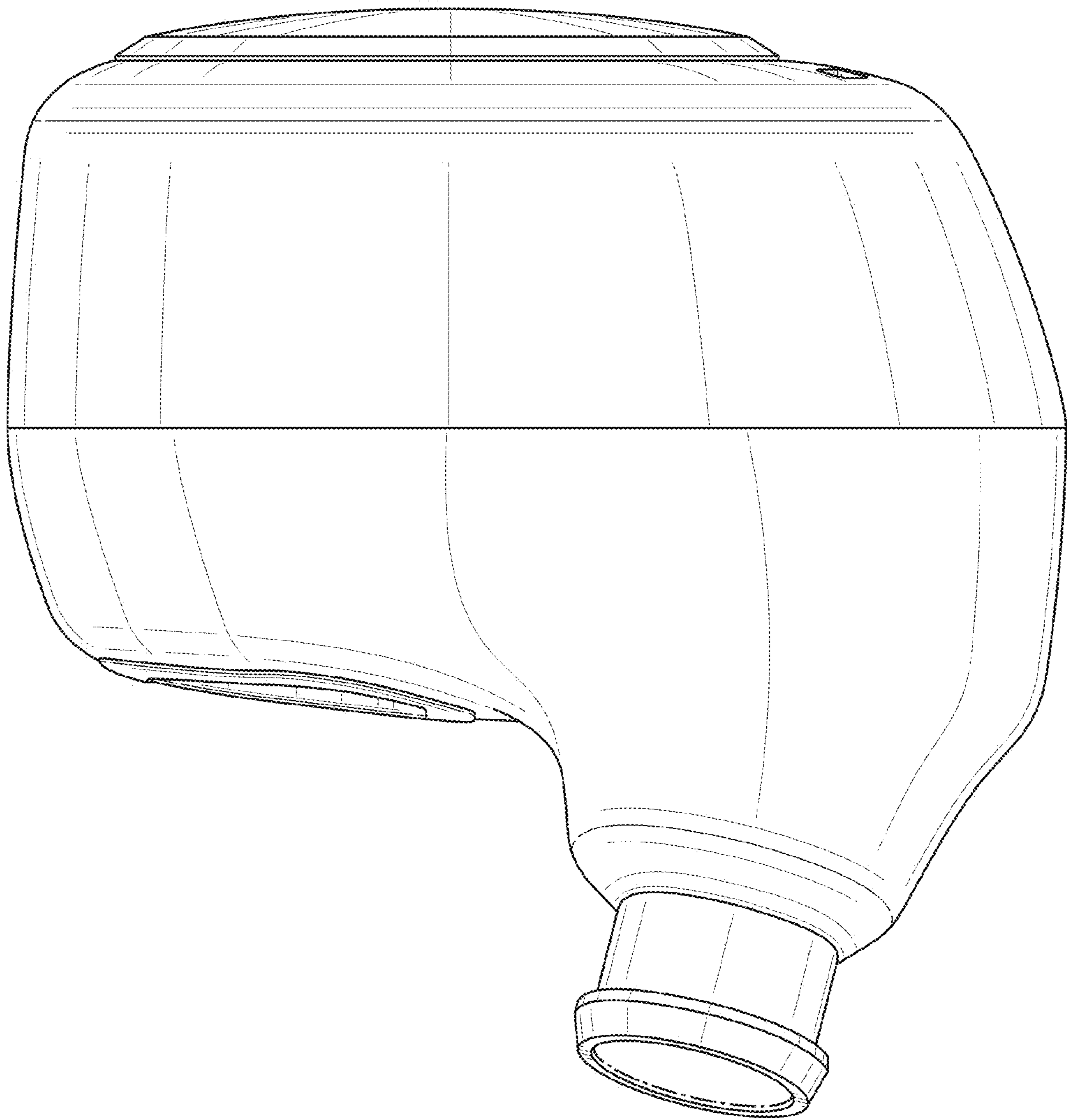
**FIG. 1**



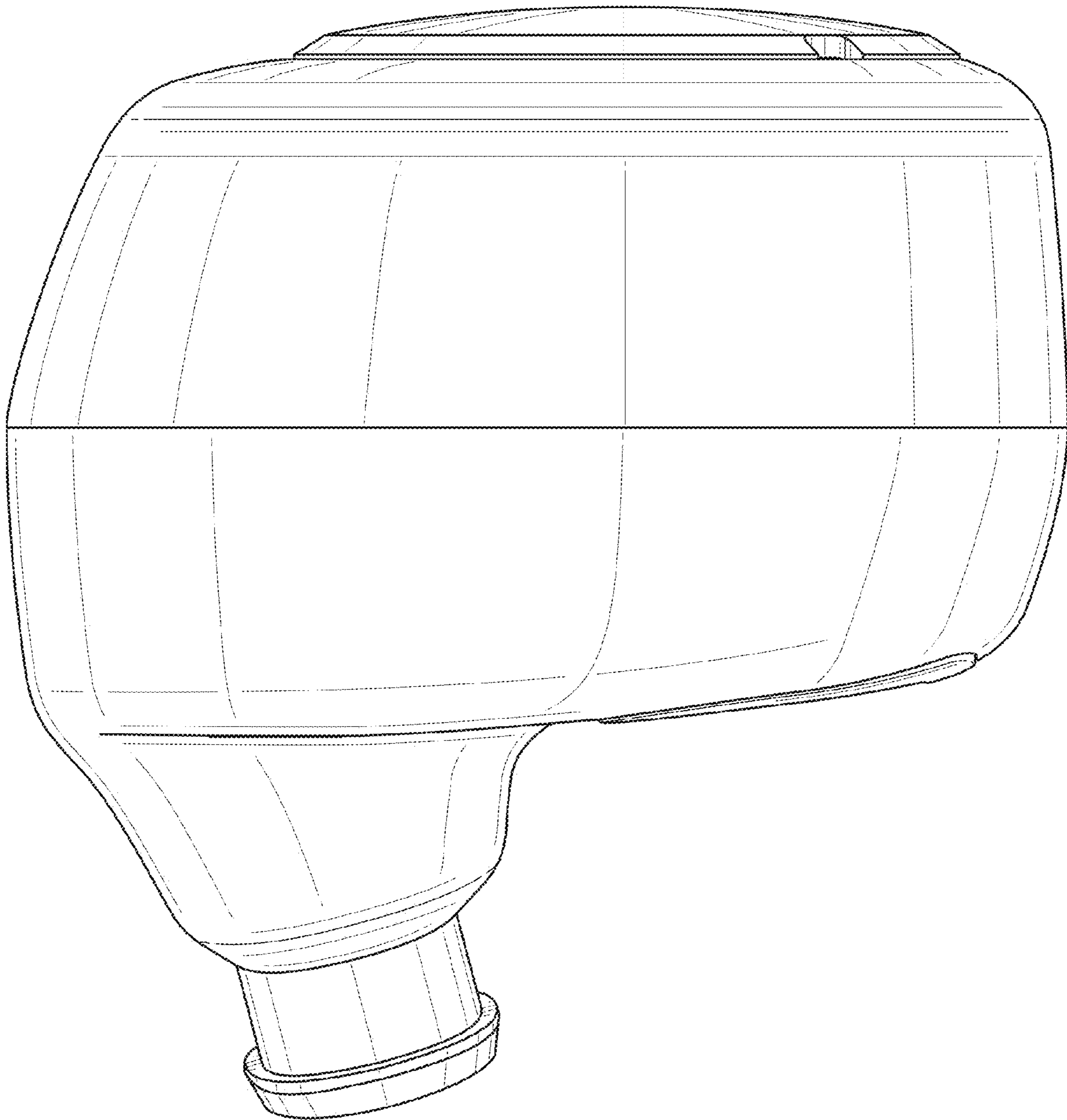
**FIG. 2**



**FIG. 3**

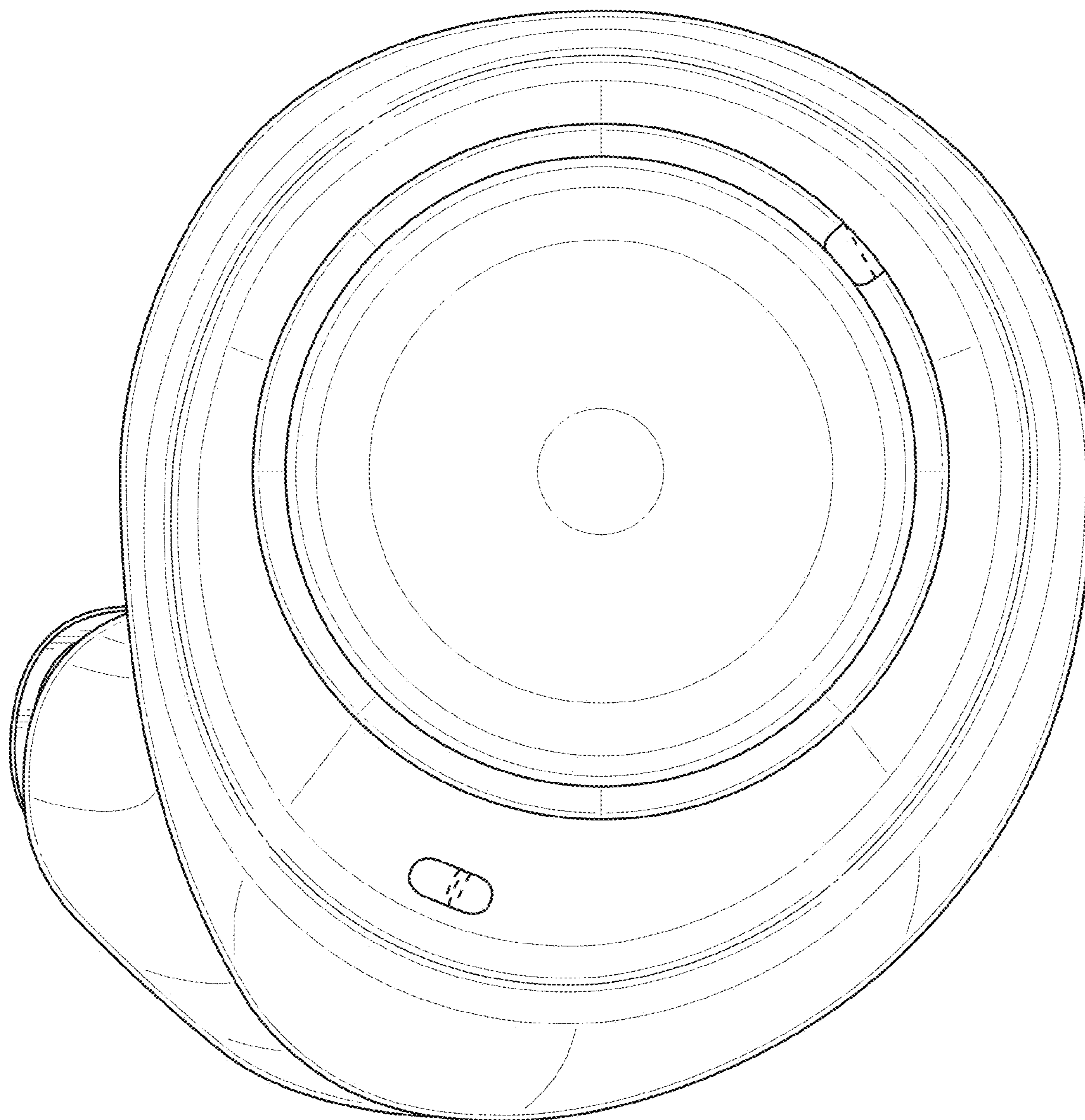


**FIG. 4**

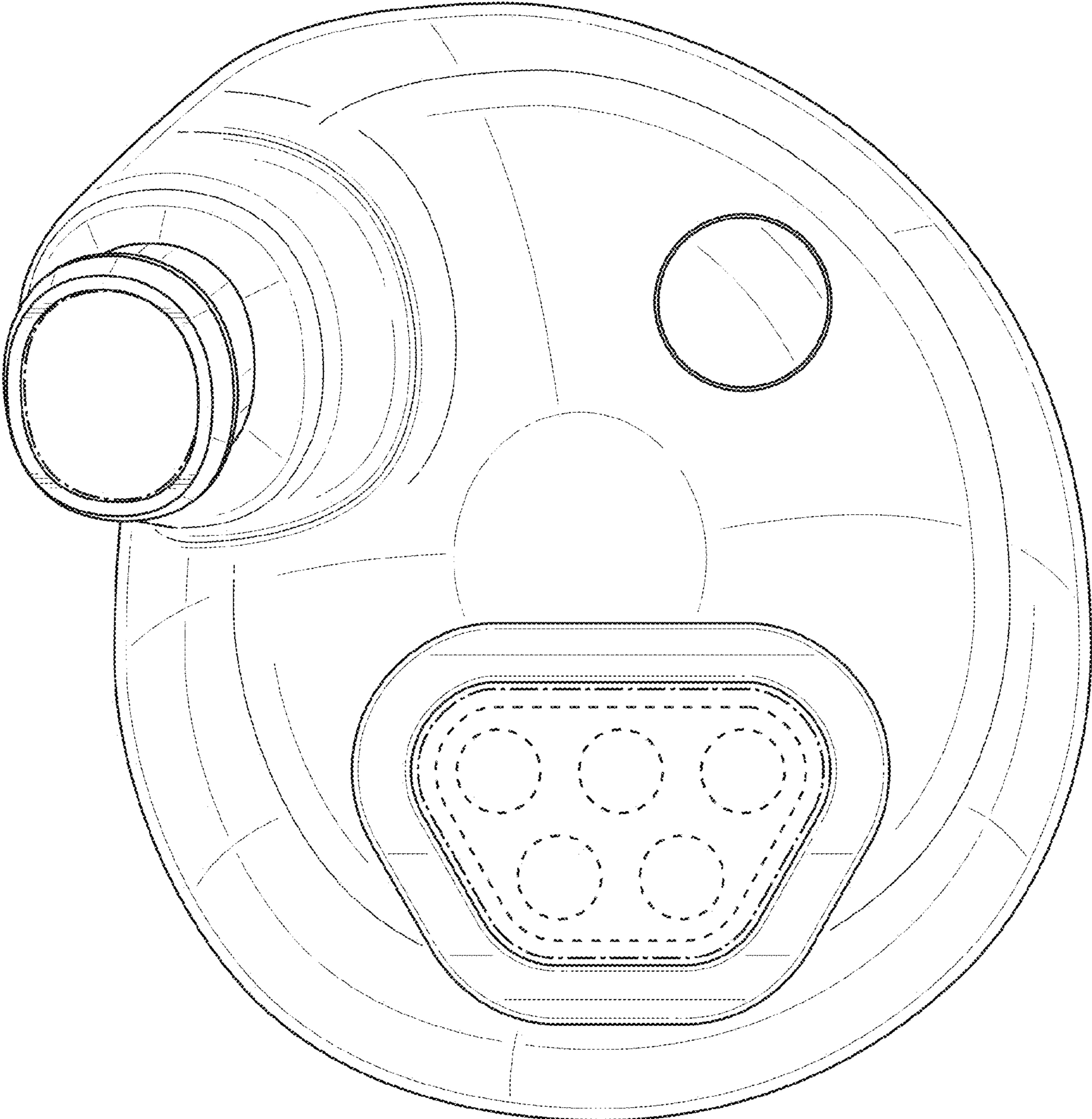


**FIG. 5**





**FIG. 6**



**FIG. 7**