



US00D975063S

(12) **United States Design Patent**  
**Huang et al.**

(10) **Patent No.:** **US D975,063 S**  
(45) **Date of Patent:** **\*\* Jan. 10, 2023**

(54) **EARPHONE**

(56) **References Cited**

(71) Applicant: **BEIJING XIAOMI MOBILE SOFTWARE CO., LTD.**, Beijing (CN)

U.S. PATENT DOCUMENTS

(72) Inventors: **Jiasheng Huang**, Beijing (CN); **Yin Zhu**, Beijing (CN); **Xu Wei**, Beijing (CN); **Chuangqi Li**, Beijing (CN); **Jingxiang Wang**, Beijing (CN); **Diyun Xiang**, Beijing (CN)

D847,794	S	*	5/2019	Guo	.....	D14/223
D883,260	S	*	5/2020	Hu	.....	D14/223
D894,875	S	*	9/2020	Zhao	.....	D14/223
D895,582	S	*	9/2020	Wu	.....	D14/223
D905,019	S	*	12/2020	Liu	.....	D14/223
D907,606	S	*	1/2021	Lin	.....	D14/223
D910,600	S	*	2/2021	Zhang	.....	D14/223
D914,644	S	*	3/2021	Zhu	.....	D14/223
D914,646	S	*	3/2021	Yang	.....	D14/223
D929,380	S	*	8/2021	Park	.....	D14/223
D937,246	S	*	11/2021	Li	.....	D14/223
D950,525	S	*	5/2022	Chen	.....	D14/223
D957,366	S	*	7/2022	Hachiri	.....	D14/223

(73) Assignee: **BEIJING XIAOMI MOBILE SOFTWARE CO., LTD.**, Beijing (CN)

(\*\*) Term: **15 Years**

FOREIGN PATENT DOCUMENTS

(21) Appl. No.: **29/787,888**

JP	D1687970	S	6/2021
KR	3010485200000	S	3/2021
KR	3010485250000	S	3/2021

(22) Filed: **Jun. 9, 2021**

\* cited by examiner

(30) **Foreign Application Priority Data**

Dec. 9, 2020 (CN) ..... 202030757064.2

*Primary Examiner* — Katie Jane Stofko

(51) **LOC (14) Cl.** ..... **14-01**

(74) *Attorney, Agent, or Firm* — Syncoda LLC; Feng Ma

(52) **U.S. Cl.**  
USPC ..... **D14/223**

(57) **CLAIM**

The ornamental design for an earphone, as shown and described.

(58) **Field of Classification Search**

**DESCRIPTION**

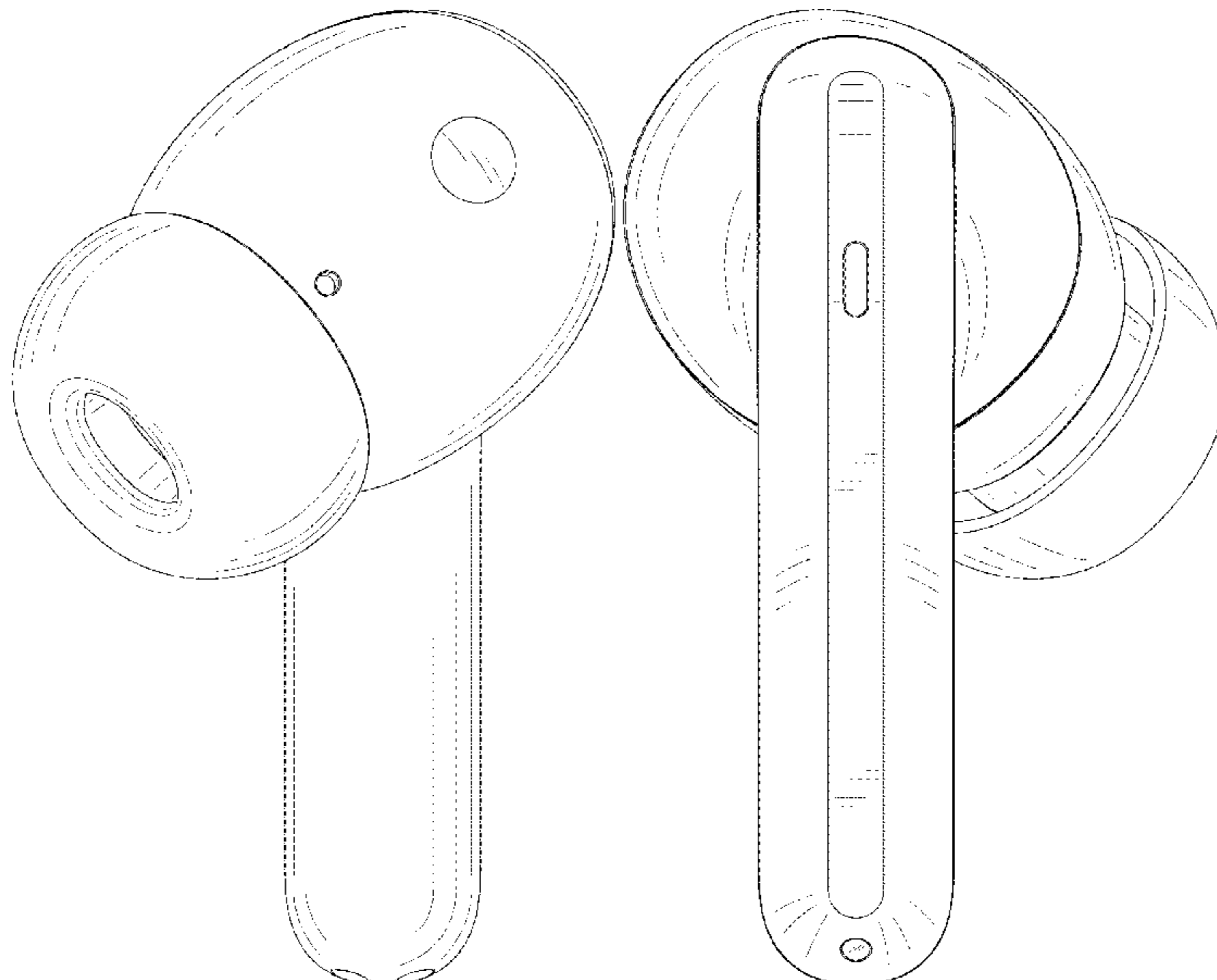
USPC ..... D14/223, 205, 206; D24/174, 217, 218; 128/864, 865, 866; 181/129, 130, 135; 379/430, 431; 381/380, 381, 322-324, 381/330; 455/90.3, 575, 1, 569.1; D9/415, 432, 721; D3/274, 294; D13/108

CPC ..... H04R 1/10; H04R 25/00; H04R 1/1016; H04R 1/1066; H04R 5/033; H04R 5/0335; H04R 1/1091; H04R 1/1058; H04R 1/105; H04R 1/1083

FIG. 1 is a front view of an earphone showing the new design;  
 FIG. 2 is a back view thereof;  
 FIG. 3 is a left side view thereof;  
 FIG. 4 is a right side view thereof;  
 FIG. 5 is a top view thereof;  
 FIG. 6 is a bottom view thereof;  
 FIG. 7 is a front, right side perspective view thereof; and,  
 FIG. 8 is a back, left side perspective view thereof.

See application file for complete search history.

**1 Claim, 8 Drawing Sheets**



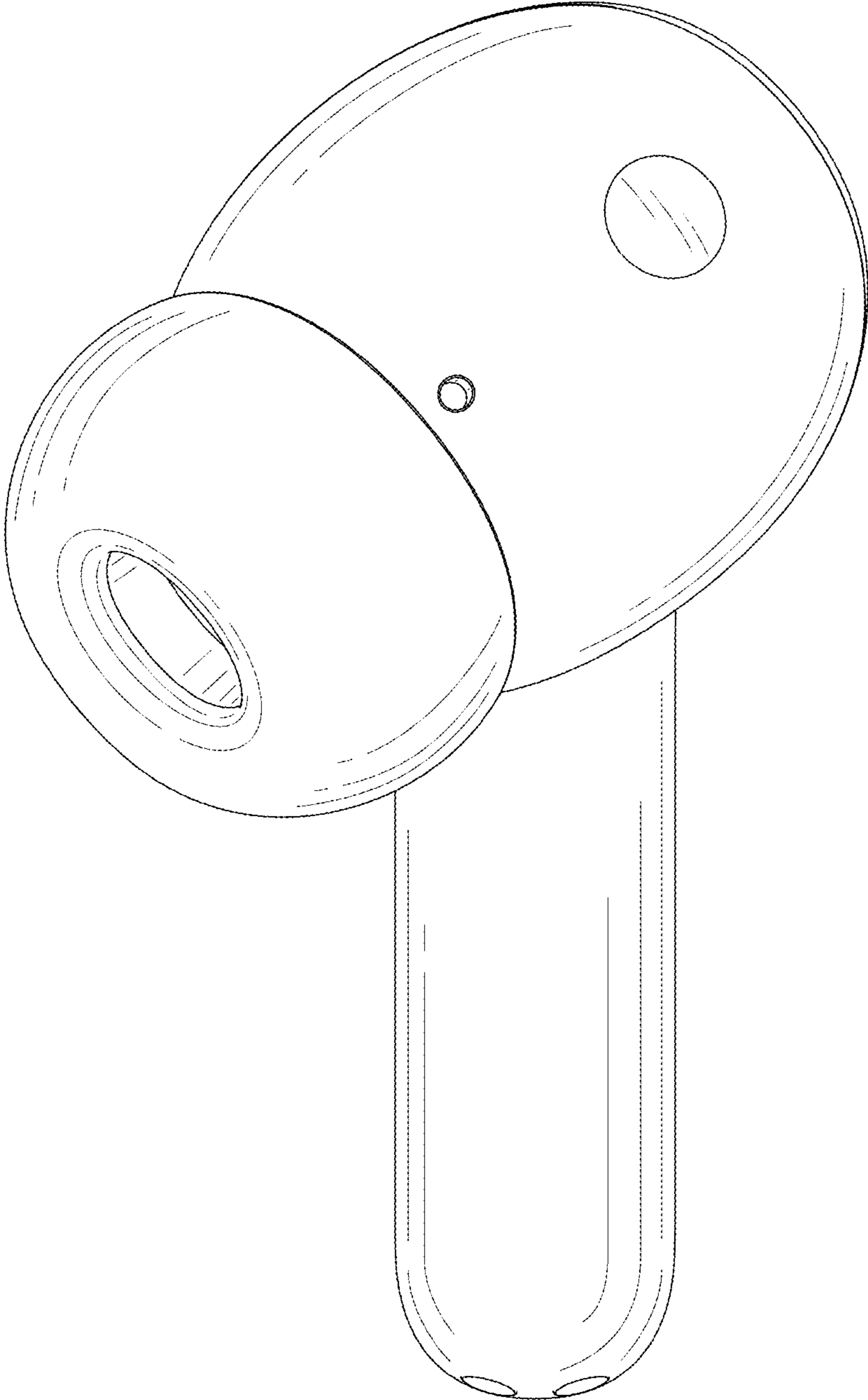


FIG. 1

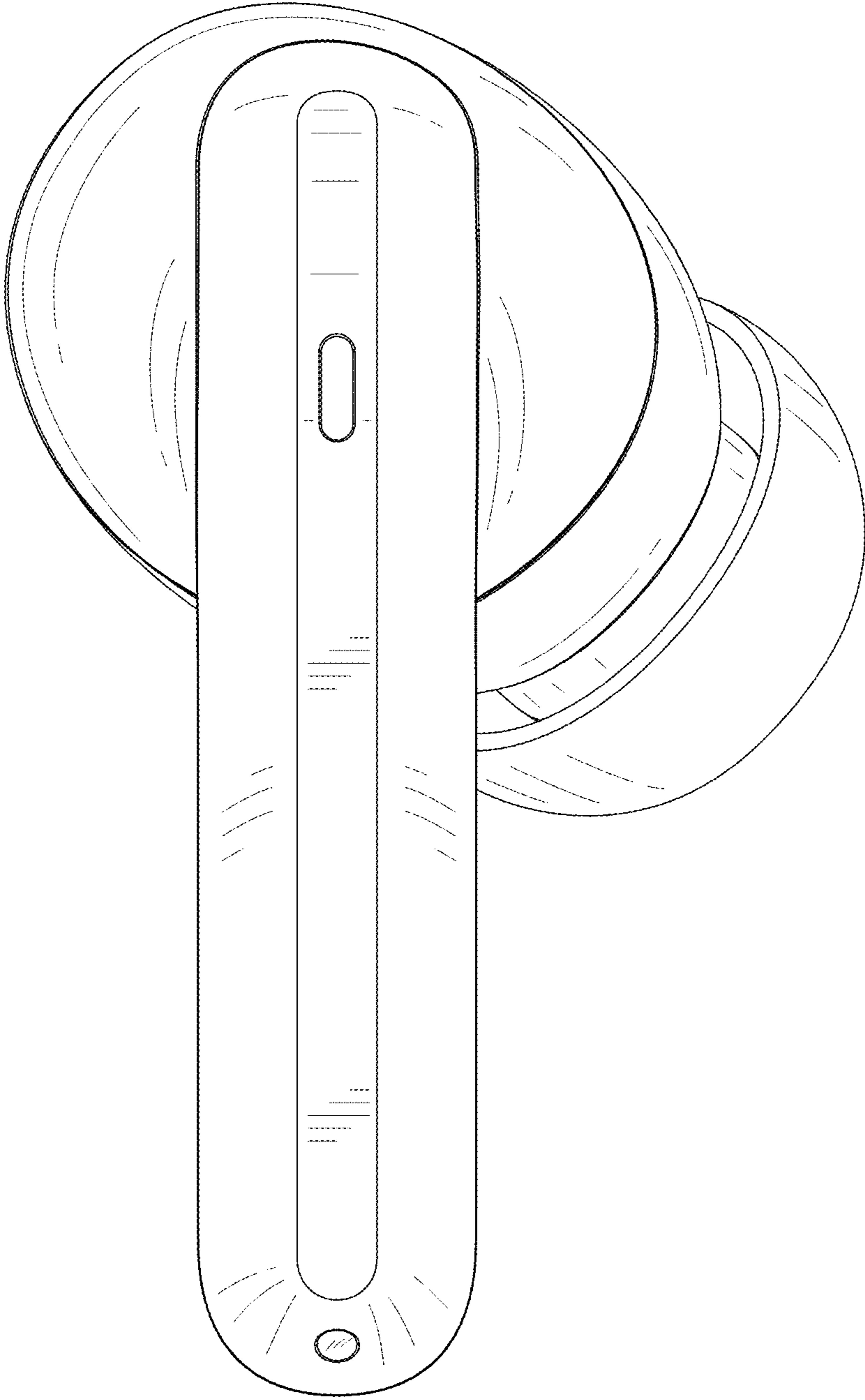


FIG. 2

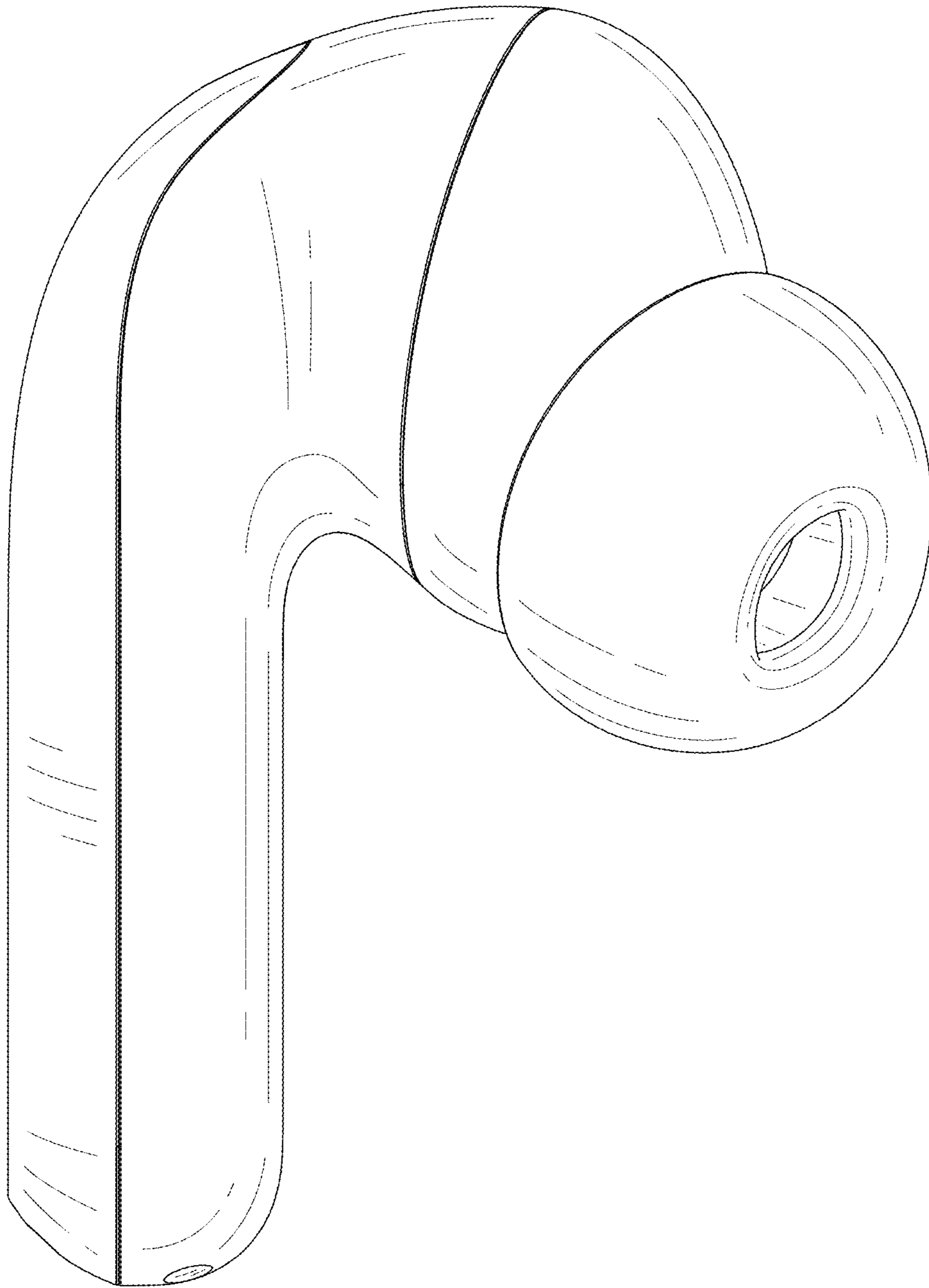


FIG. 3

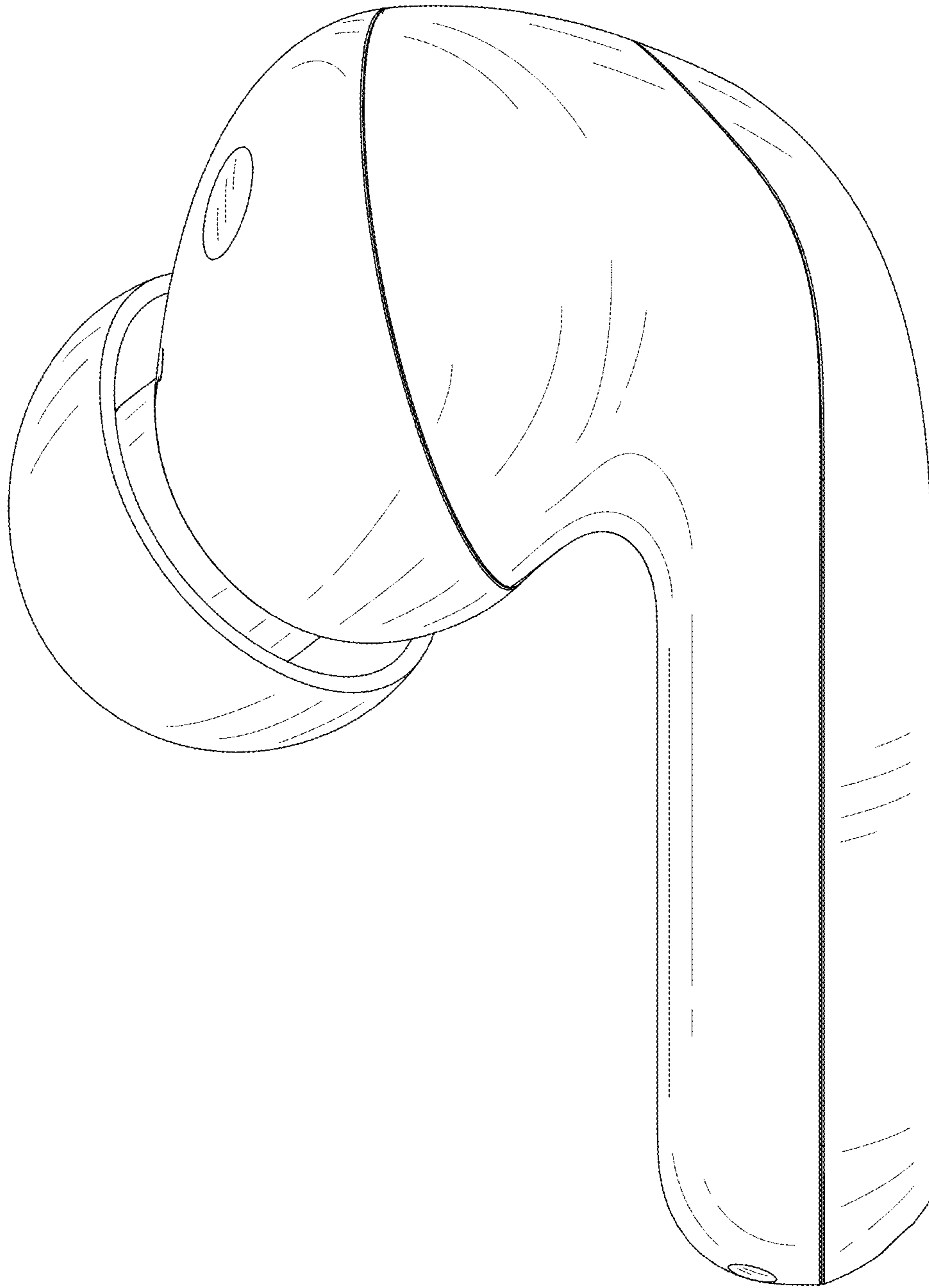


FIG. 4

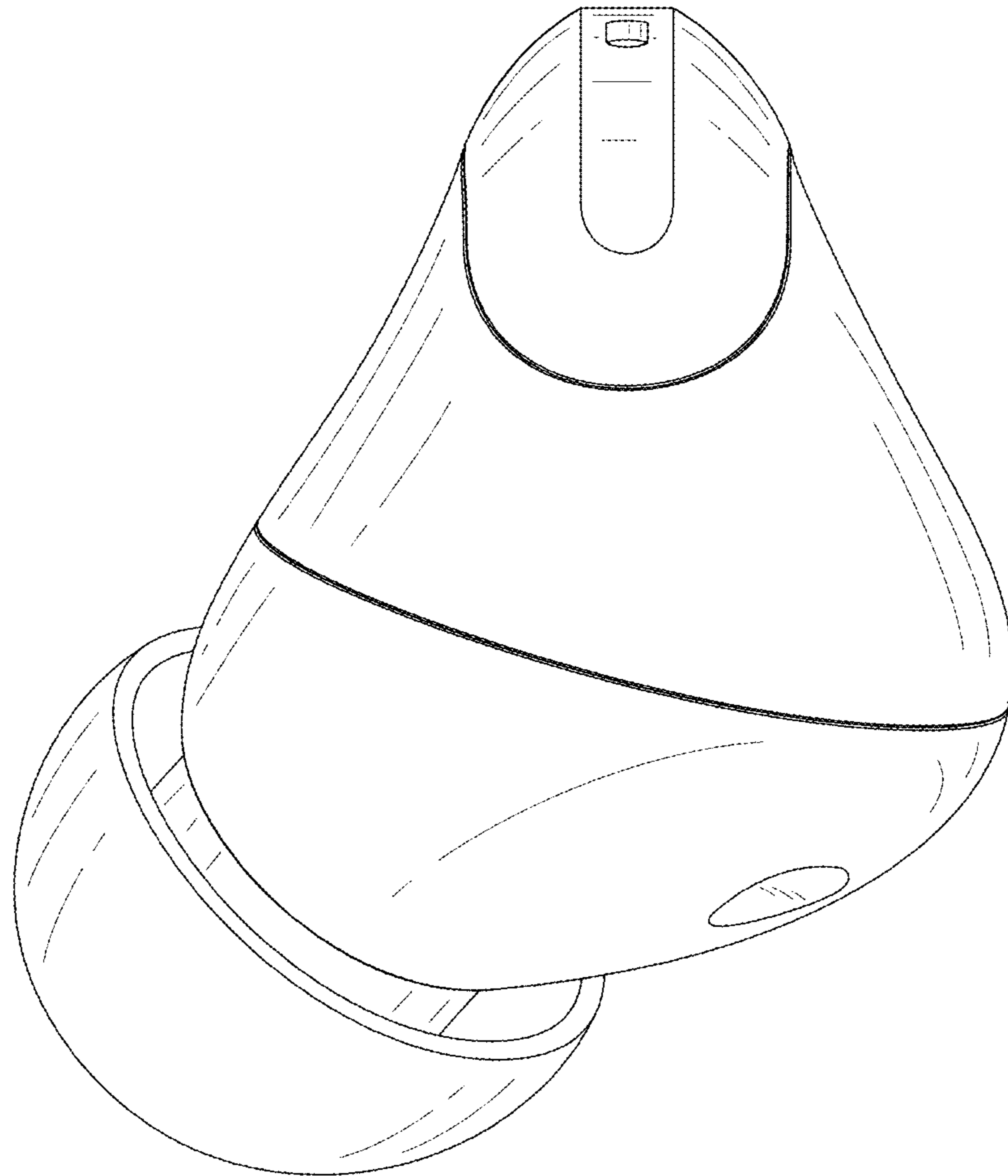


FIG. 5

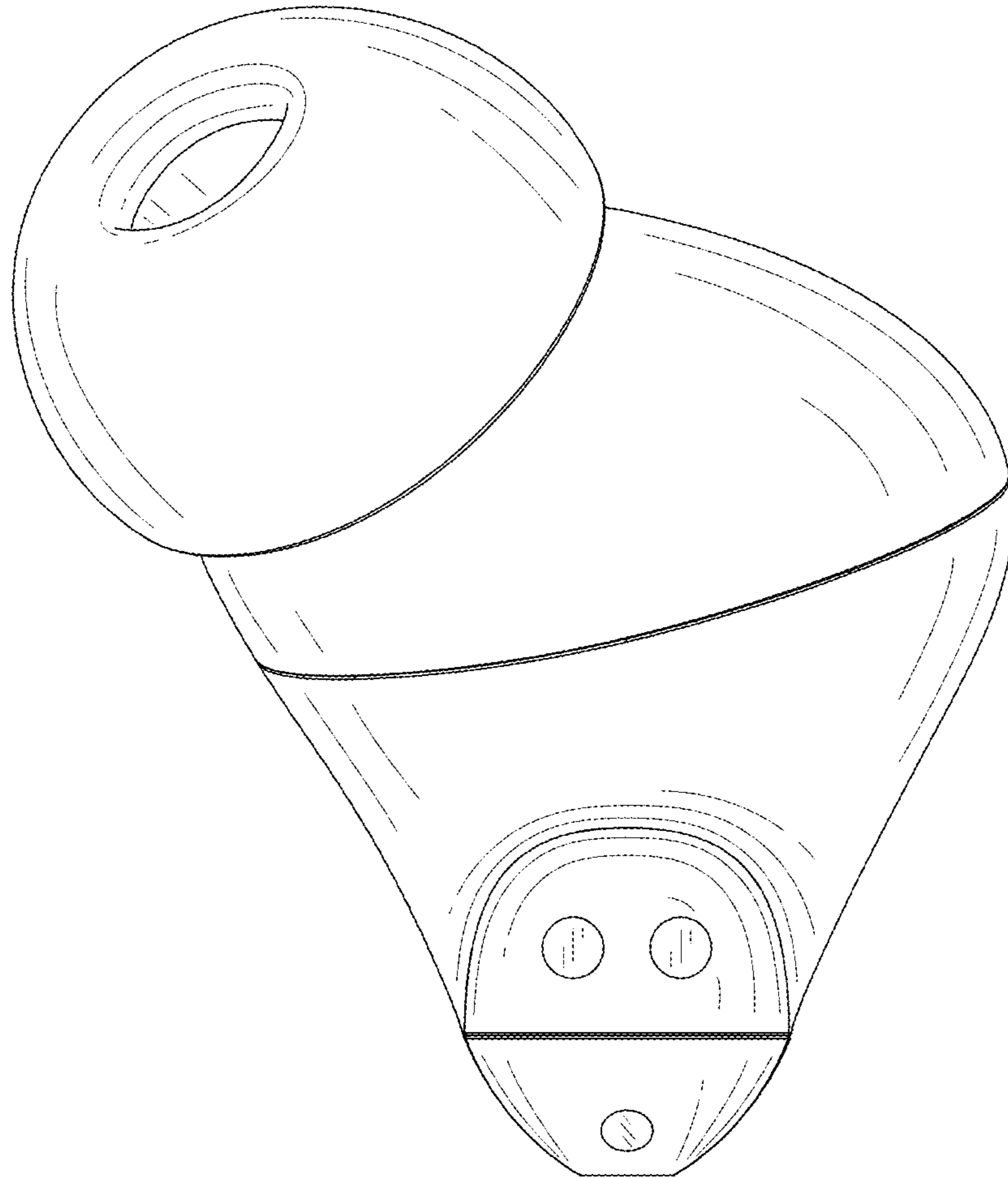


FIG. 6

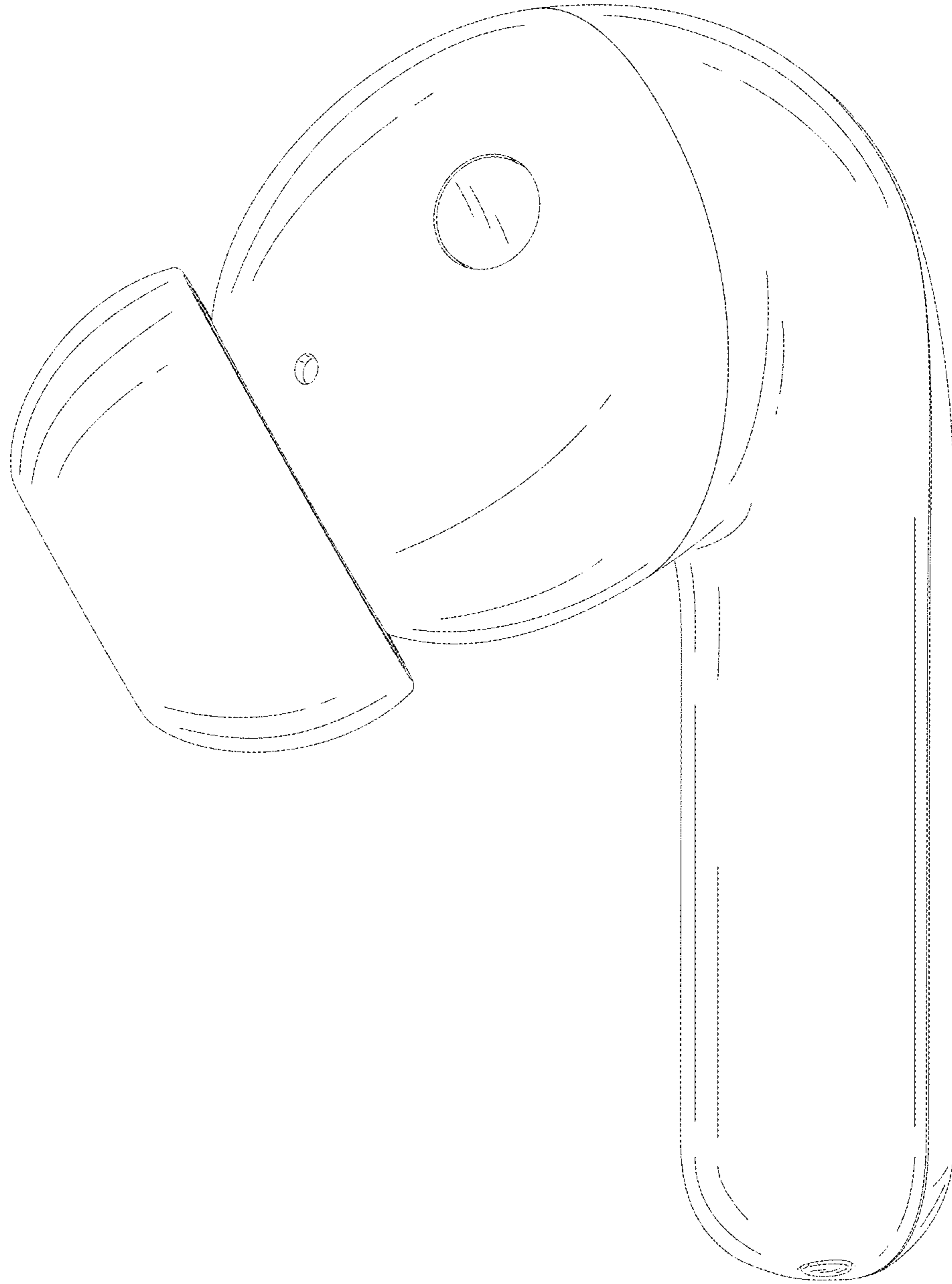


FIG. 7



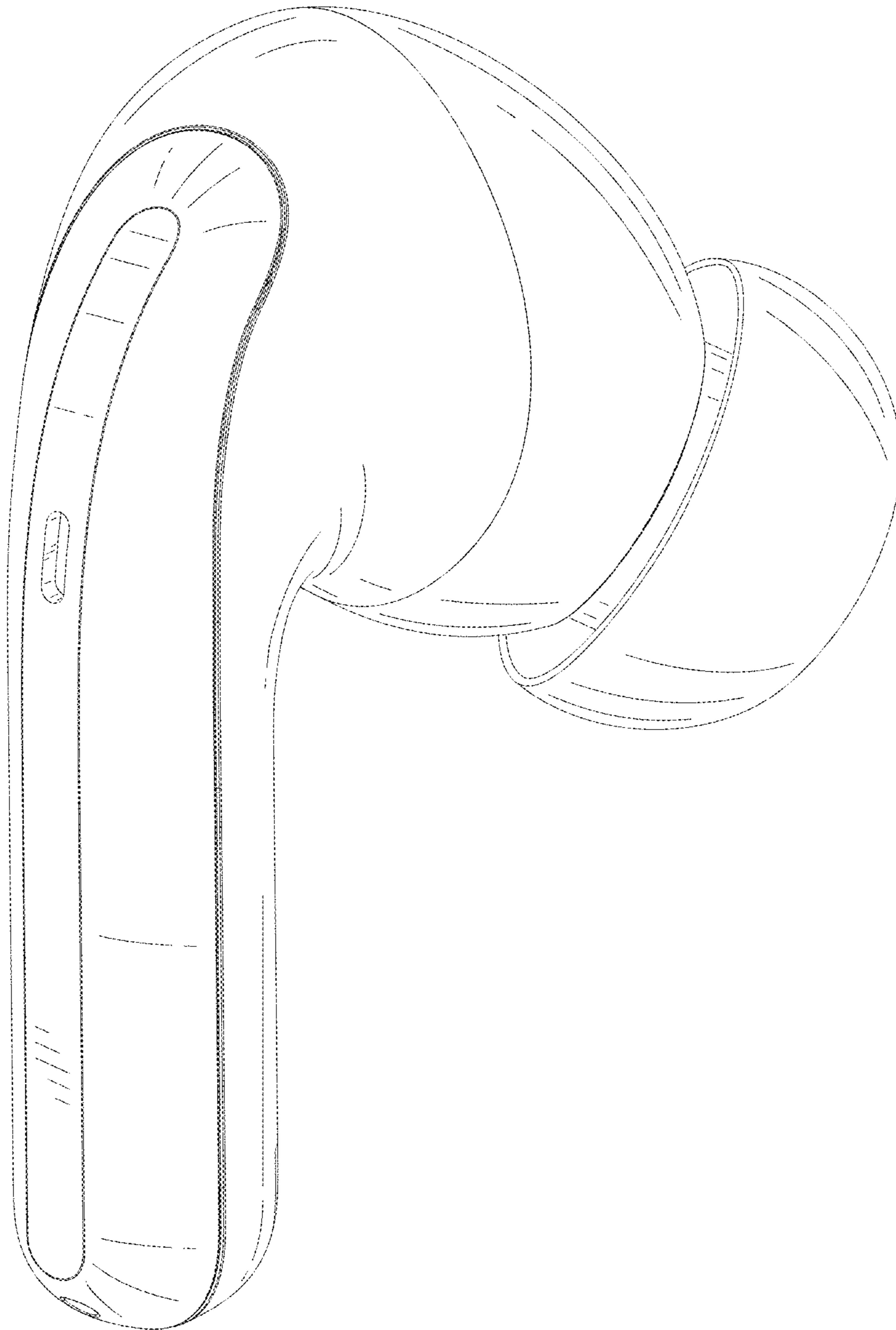


FIG. 8