



US00D975059S

(12) **United States Design Patent**  
**Staerke et al.**

(10) **Patent No.:** **US D975,059 S**  
(45) **Date of Patent:** **\*\* Jan. 10, 2023**

(54) **MODULAR EARPIECE ADAPTOR**

(71) Applicant: **Adapto Global ApS**, Copenhagen V.  
(DK)

(72) Inventors: **Mads Staerke**, Solrod Strand (DK);  
**Jesper Martini**, Frederiksberg (DK)

(73) Assignee: **Adapto Global ApS**, Copenhagen V.  
(DK)

(\*\*) Term: **15 Years**

(21) Appl. No.: **29/752,830**

(22) Filed: **Sep. 29, 2020**

(51) **LOC (14) Cl.** ..... **14-01**

(52) **U.S. Cl.**  
USPC ..... **D14/223**

(58) **Field of Classification Search**  
USPC ..... D14/204, 205, 206, 223, 224, 225, 249,  
D14/372, 433, 138 R, 188, 192, 172,  
D14/203.1, 191, 496; D29/112; D28/41;  
D13/118, 108, 119  
CPC ..... H04R 25/00; H04R 25/02; H04R 1/10;  
H04R 1/1016; H04R 1/105; H04R  
1/1083; H04R 1/02; H04R 1/1041; H04R  
1/28

See application file for complete search history.

(56) **References Cited**

**U.S. PATENT DOCUMENTS**

D287,764 S \* 1/1987 Topholm ..... D24/174  
7,003,127 B1 \* 2/2006 Sjursen ..... H04R 25/65  
381/328

D687,021 S \* 7/2013 Yuen ..... D14/223  
D918,177 S \* 5/2021 Kosaka ..... D14/223  
D929,970 S \* 9/2021 Lin ..... D14/223  
D930,615 S \* 9/2021 Tanaka ..... D14/223  
2022/0103928 A1 \* 3/2022 Staerke ..... H04R 25/656

**FOREIGN PATENT DOCUMENTS**

GB 8102725000-5000 \* 7/2018

\* cited by examiner

*Primary Examiner* — Shawn T Gingrich

*Assistant Examiner* — Russell Carnell Smith, Jr.

(74) *Attorney, Agent, or Firm* — Heath M. Sargeant;  
Charles Weiss; Holland & Knight LLP

(57) **CLAIM**

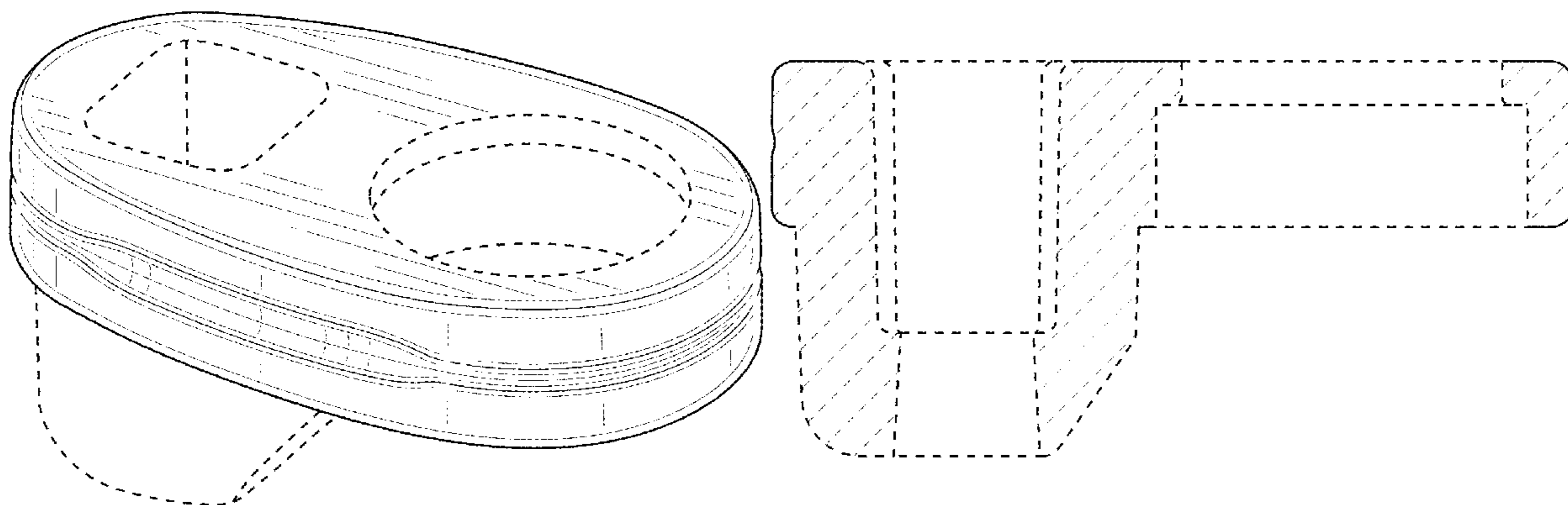
The ornamental design for a modular earpiece adaptor, as shown and described.

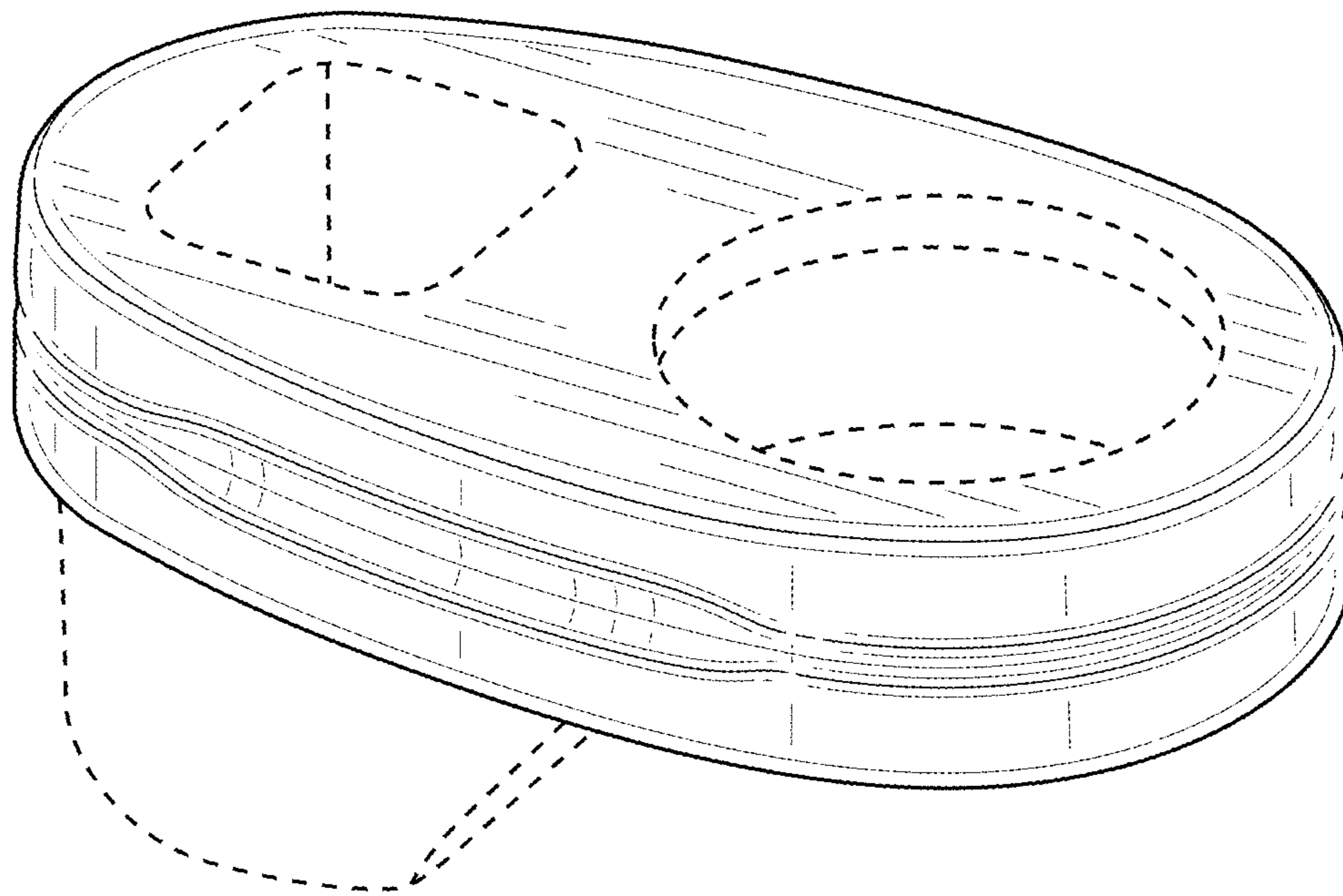
**DESCRIPTION**

FIG. 1 is a front perspective elevation view of a modular earpiece adaptor showing our new design; FIG. 2 is a front elevation view thereof; FIG. 3 is a rear elevation view thereof; FIG. 4 is a left side elevation view thereof; FIG. 5 is a right side elevation view thereof; FIG. 6 is a top plan view thereof; FIG. 7 is a bottom plan view thereof; and, FIG. 8 is a cross-sectional view thereof taken along line 8-8 in FIG. 6.

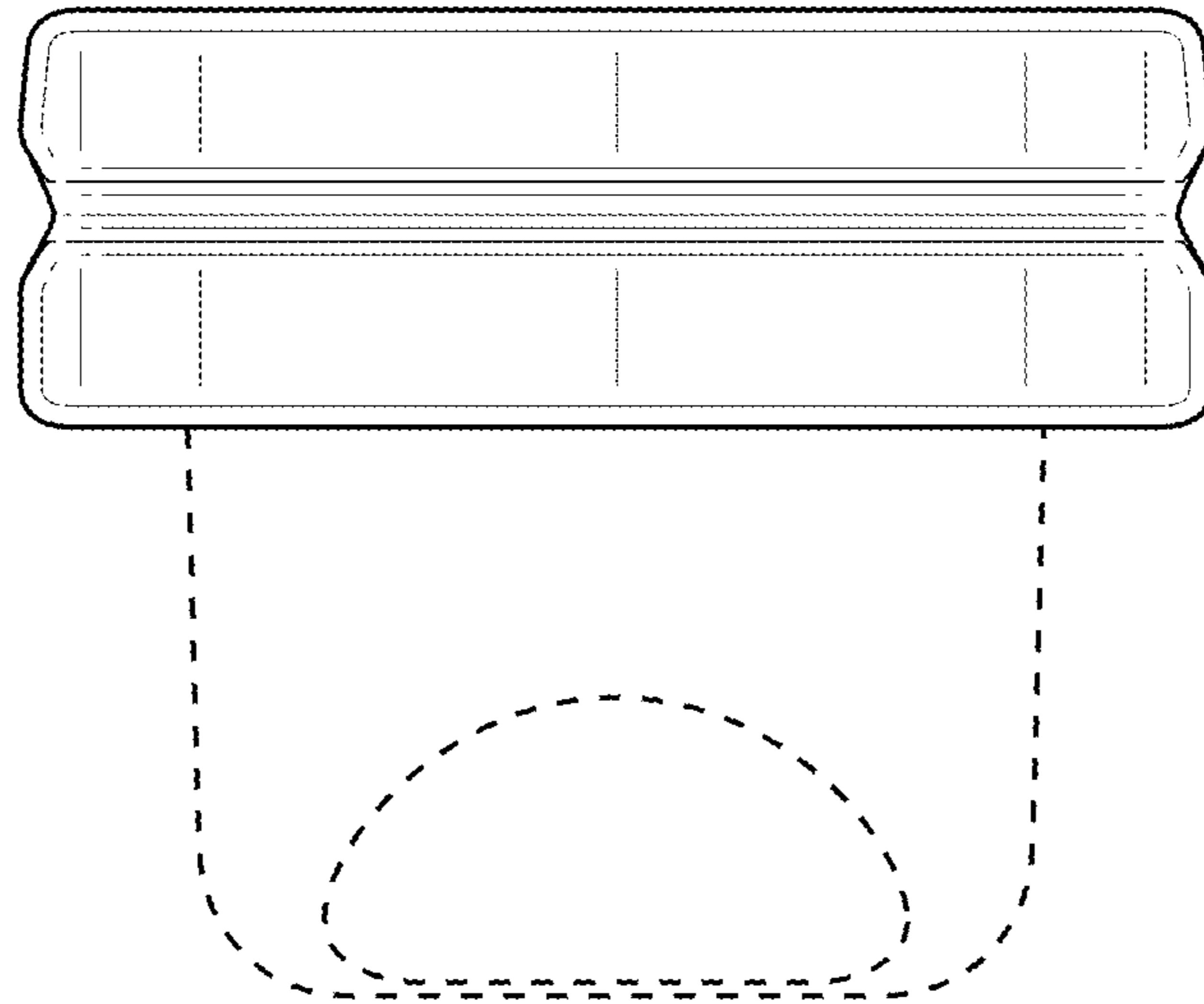
The broken lines show portions of the modular earpiece adaptor that forms no part of the claimed design.

**1 Claim, 8 Drawing Sheets**

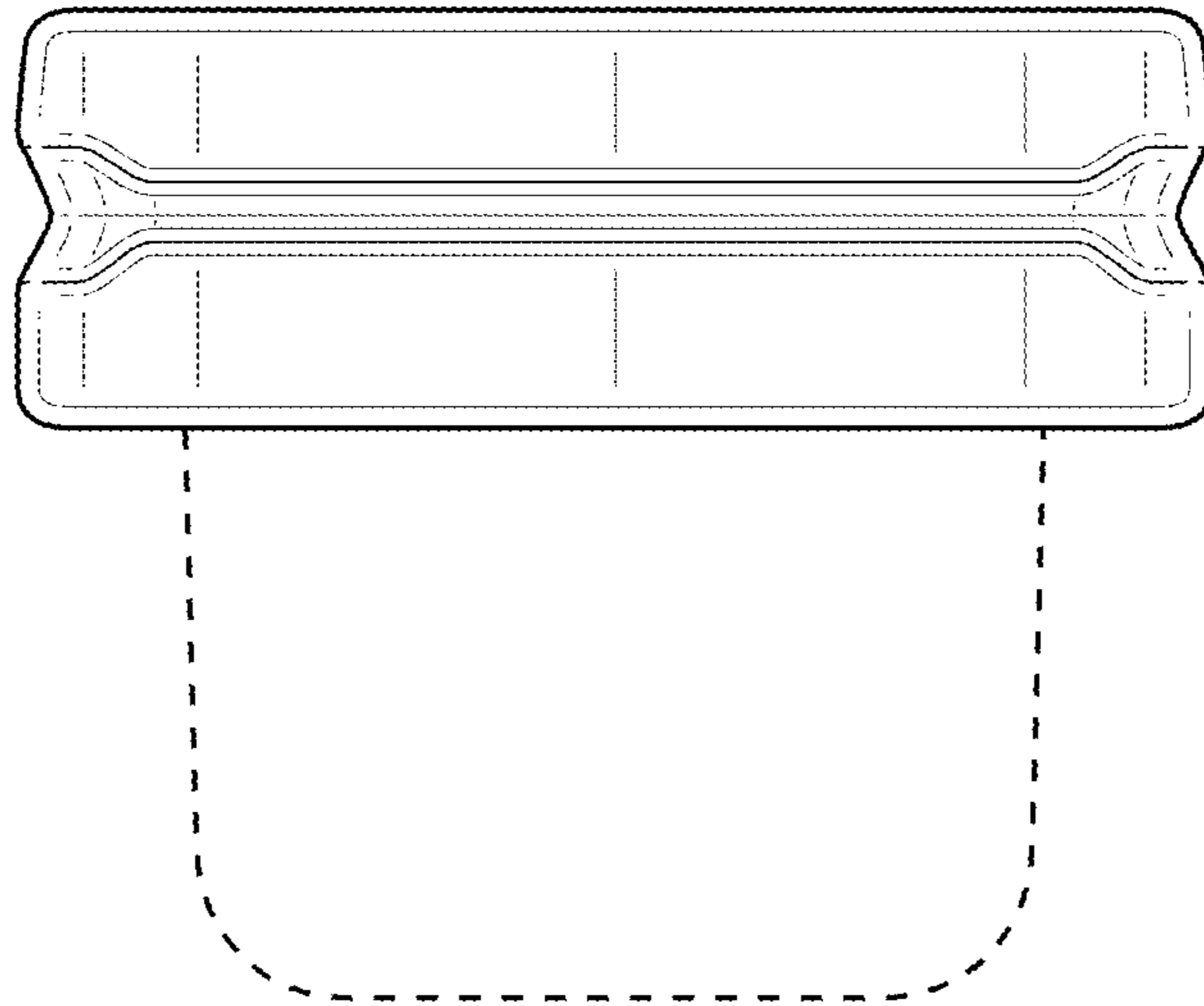




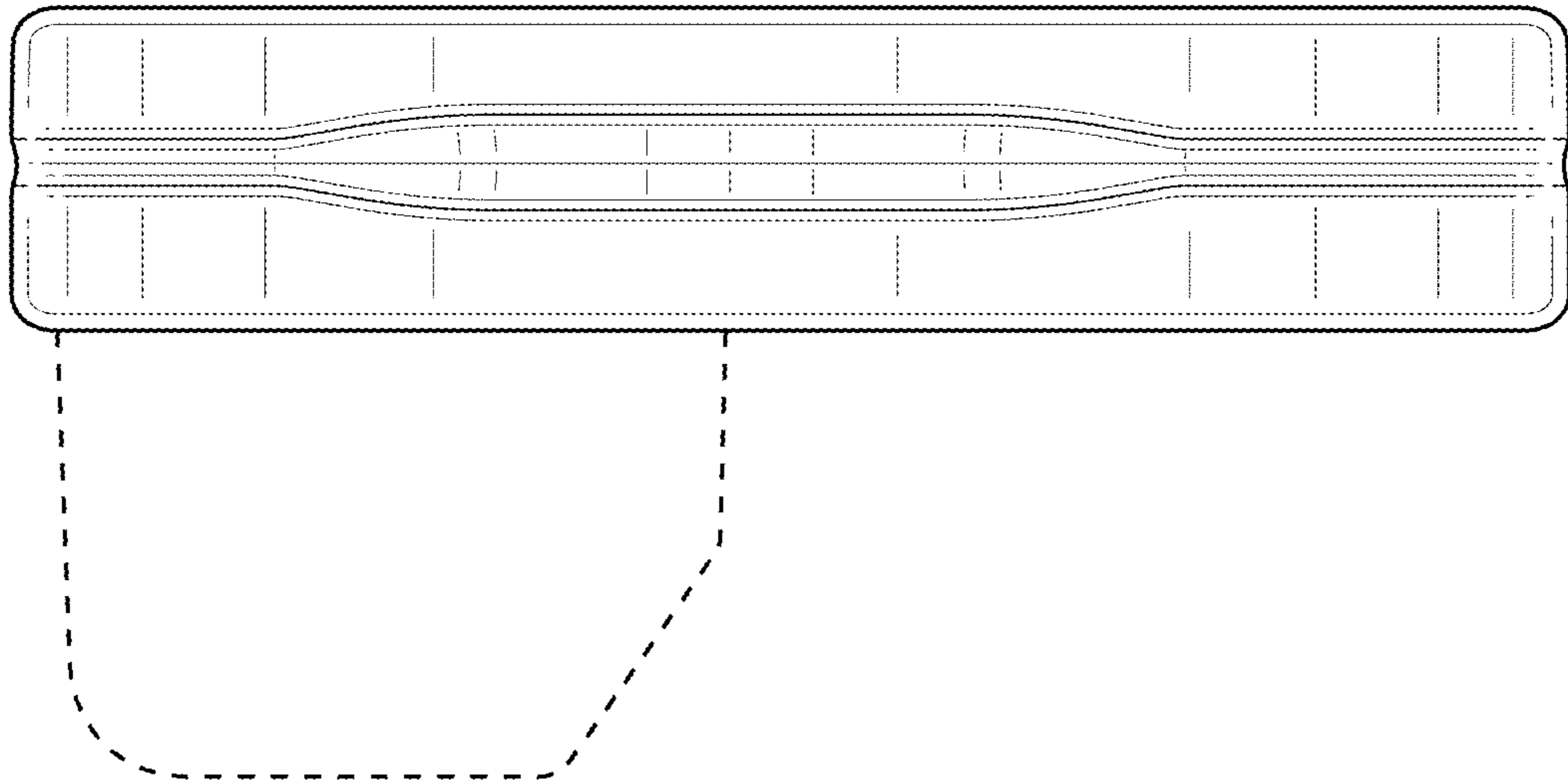
**FIG. 1**



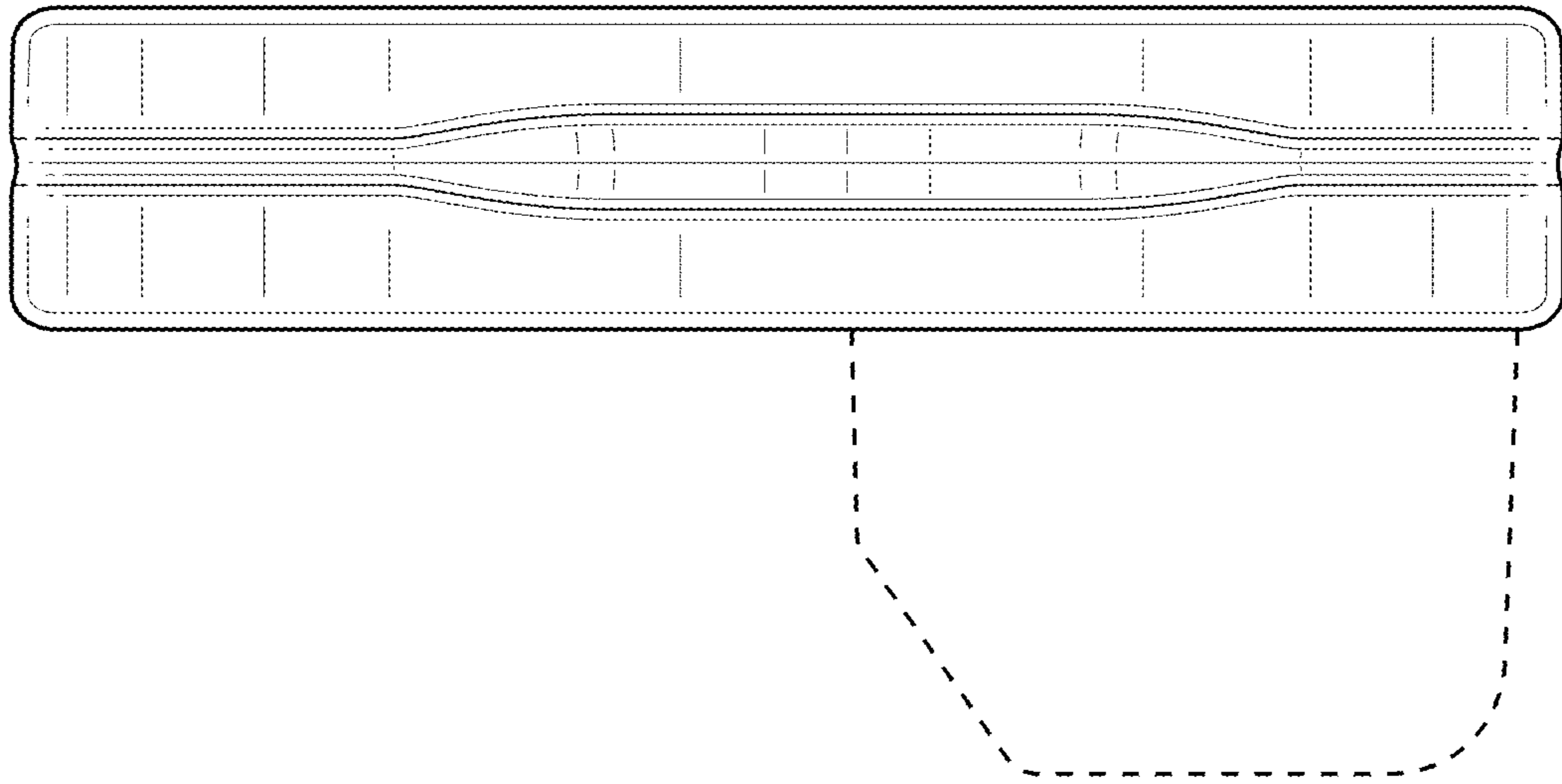
**FIG. 2**



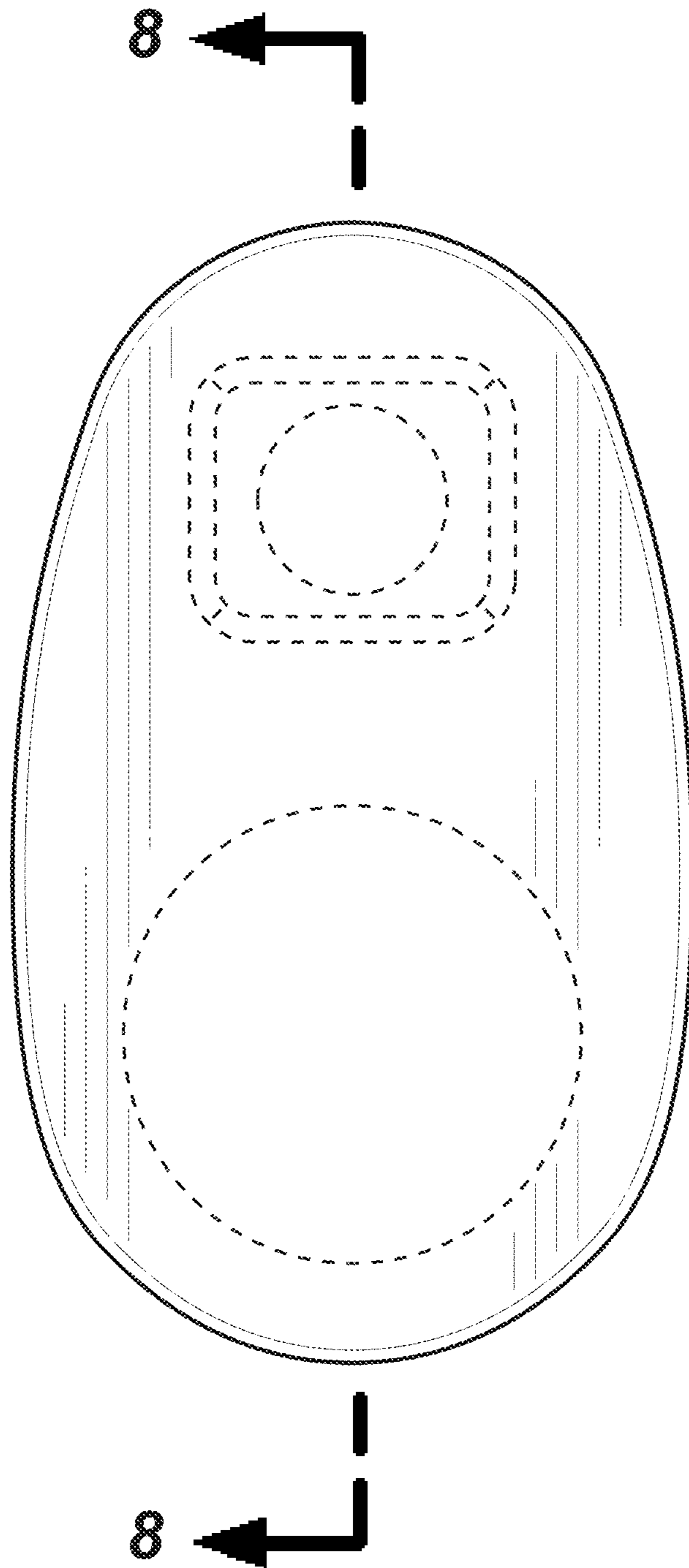
**FIG. 3**



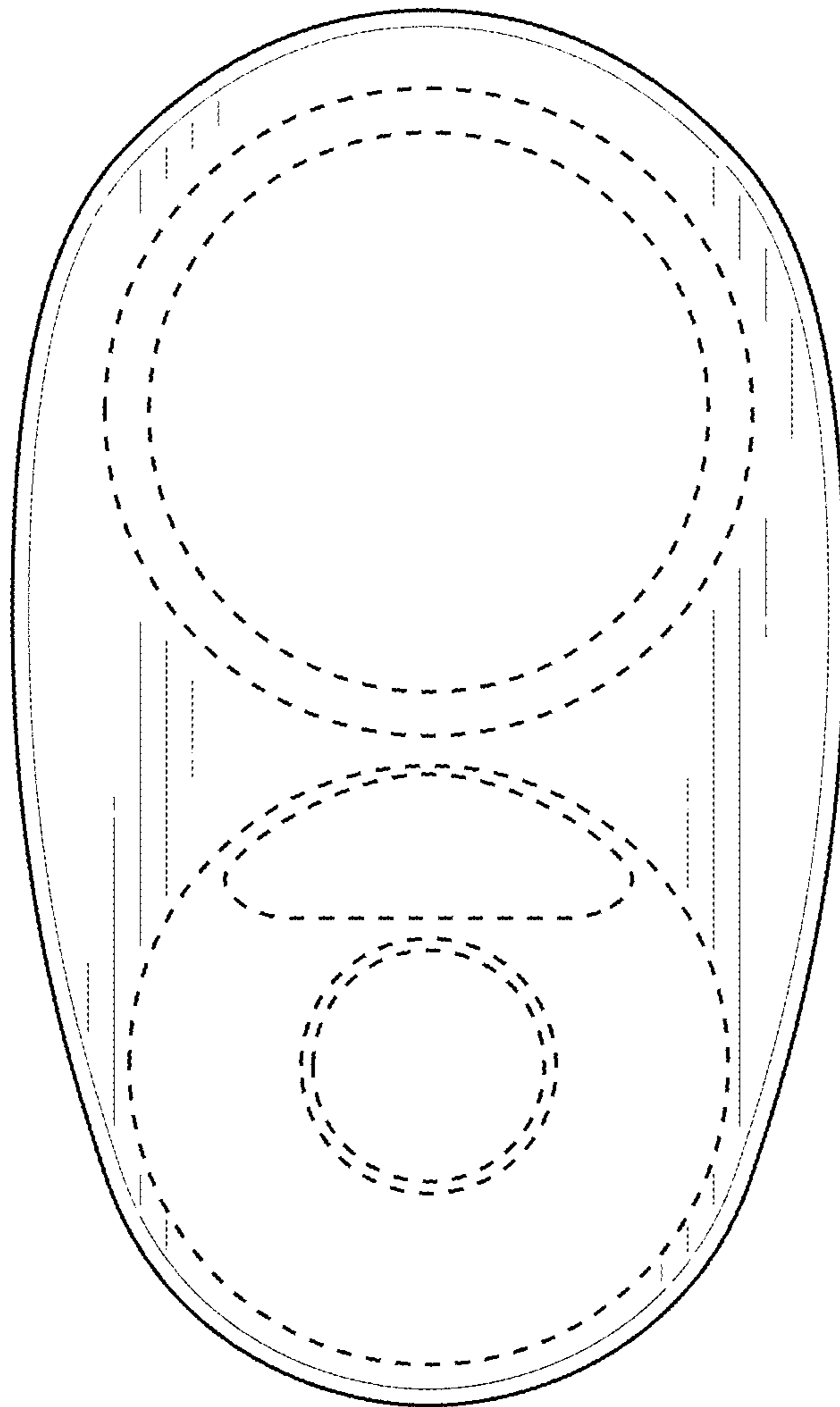
**FIG. 4**



**FIG. 5**

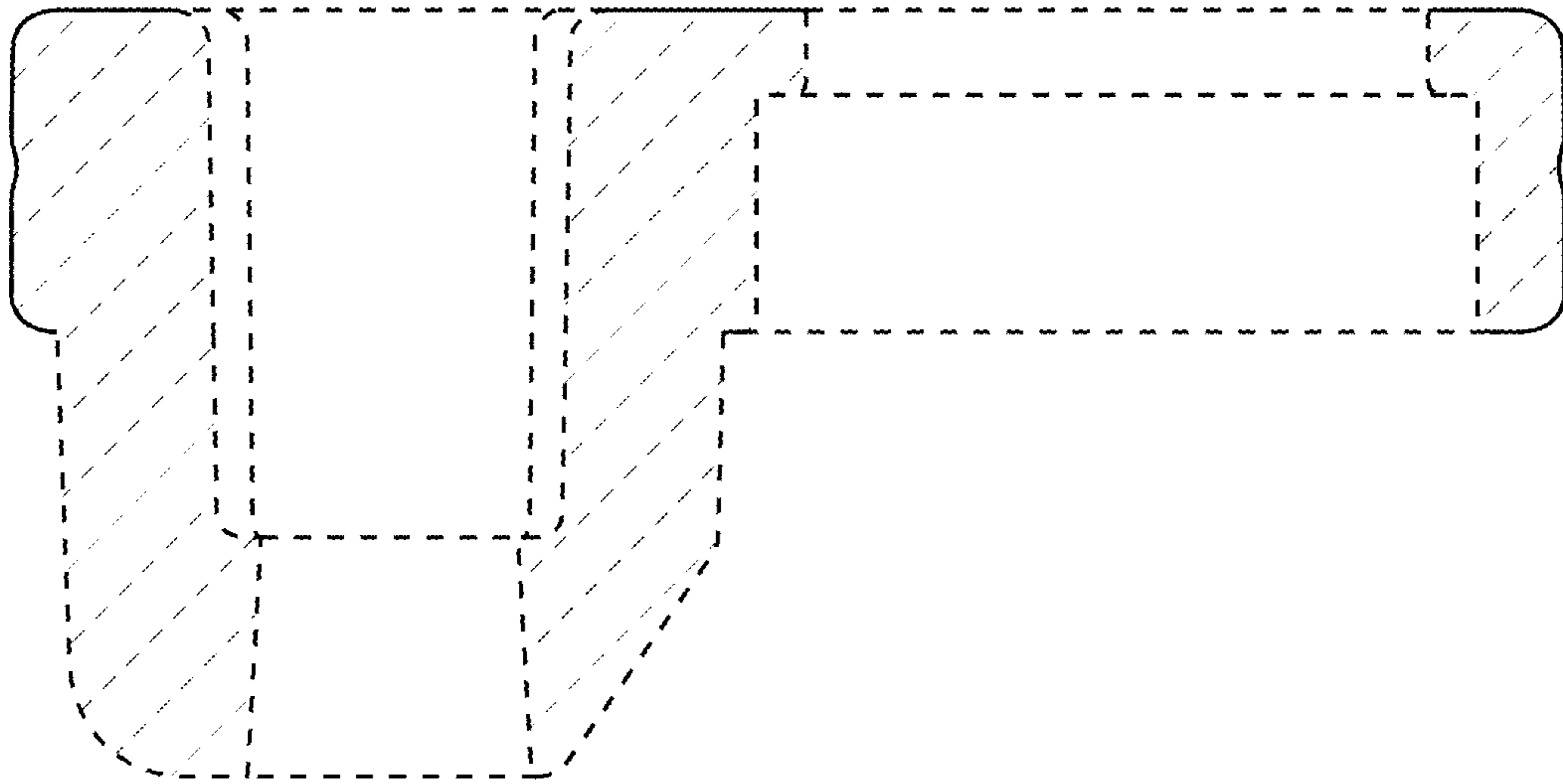


**FIG. 6**



**FIG. 7**





**FIG. 8**