

US00D975054S

(12) **United States Design Patent**
Feng

(10) **Patent No.:** **US D975,054 S**

(45) **Date of Patent:** **** Jan. 10, 2023**

(54) **MULTI-FUNCTIONAL ANC MEETING
SPEAKER**

(71) Applicant: **Shenzhen Great Power Innovation
and Technology Enterprise Co., Ltd.,
Shenzhen (CN)**

(72) Inventor: **Winston Feng, Shenzhen (CN)**

(73) Assignee: **Shenzhen Great Power Innovation
and Technology Enterprise Co., Ltd.**

(**) Term: **15 Years**

(21) Appl. No.: **29/751,549**

(22) Filed: **Sep. 22, 2020**

(30) **Foreign Application Priority Data**

Apr. 18, 2020 (CN) 202030158565.9

(51) **LOC (14) Cl.** **14-01**

(52) **U.S. Cl.**
USPC **D14/216**

(58) **Field of Classification Search**
USPC D9/451; D10/15, 22, 106.1; D14/195,
D14/203.2, 214, 216, 496, 509; D23/390,
D23/370, 411; D27/172, 183
CPC H04R 1/02; G10K 9/22
See application file for complete search history.

(56) **References Cited**

U.S. PATENT DOCUMENTS

D274,048 S * 5/1984 Wong D14/242
D323,327 S * 1/1992 Davidson D14/219

D659,093 S * 5/2012 Schmid D13/108
D845,924 S * 4/2019 Pedersen D14/215
D861,602 S * 10/2019 Feng D13/108
D874,399 S * 2/2020 Lockenwitz D13/108
D888,688 S * 6/2020 Xie D14/216
D946,195 S * 3/2022 Zhong D26/67

* cited by examiner

Primary Examiner — Khawaja Anwar

Assistant Examiner — Megan Tiana Rakos

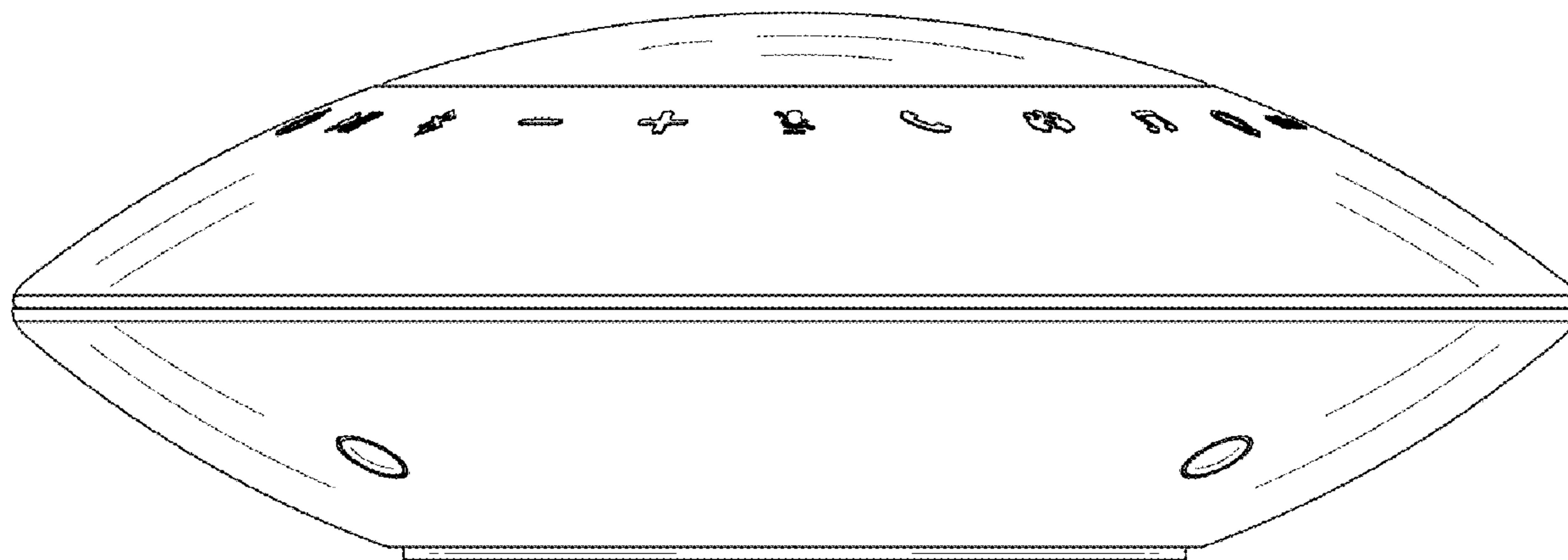
(57) **CLAIM**

The ornamental design for a multi-functional ANC meeting speaker, as shown and described.

DESCRIPTION

FIG. 1 is a front view of the multi-functional ANC meeting speaker showing my new design;
FIG. 2 is a back view thereof;
FIG. 3 is a left side view thereof;
FIG. 4 is a right side view thereof;
FIG. 5 is a top view thereof;
FIG. 6 is a bottom view thereof;
FIG. 7 is a perspective view thereof; and,
FIG. 8 is another perspective view thereof.
The third button from the left on the multi-function ANC meeting speaker forming part of the claimed design is a registered trademark of the Bluetooth Sig, Inc.

1 Claim, 8 Drawing Sheets



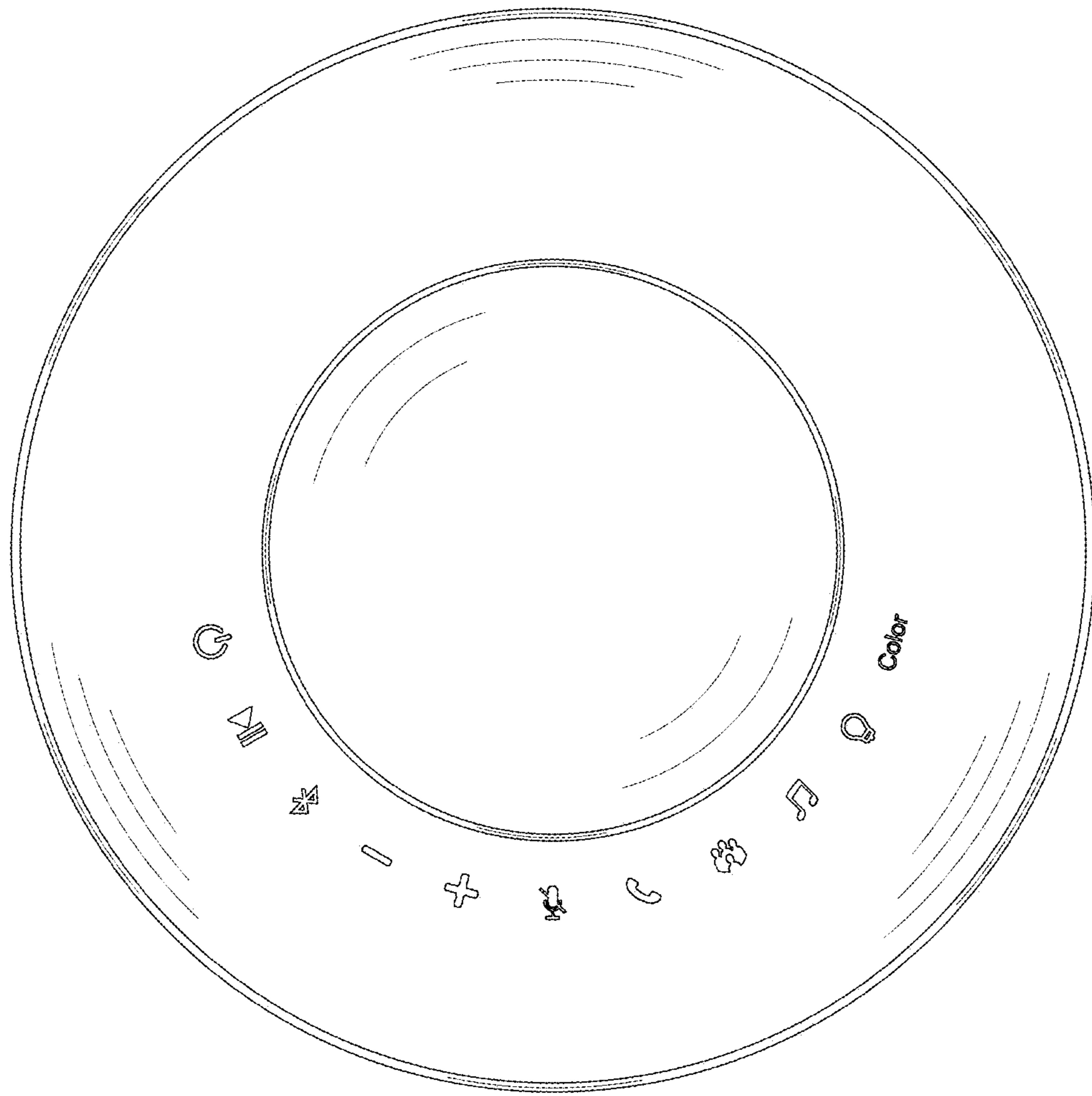


FIG. 1

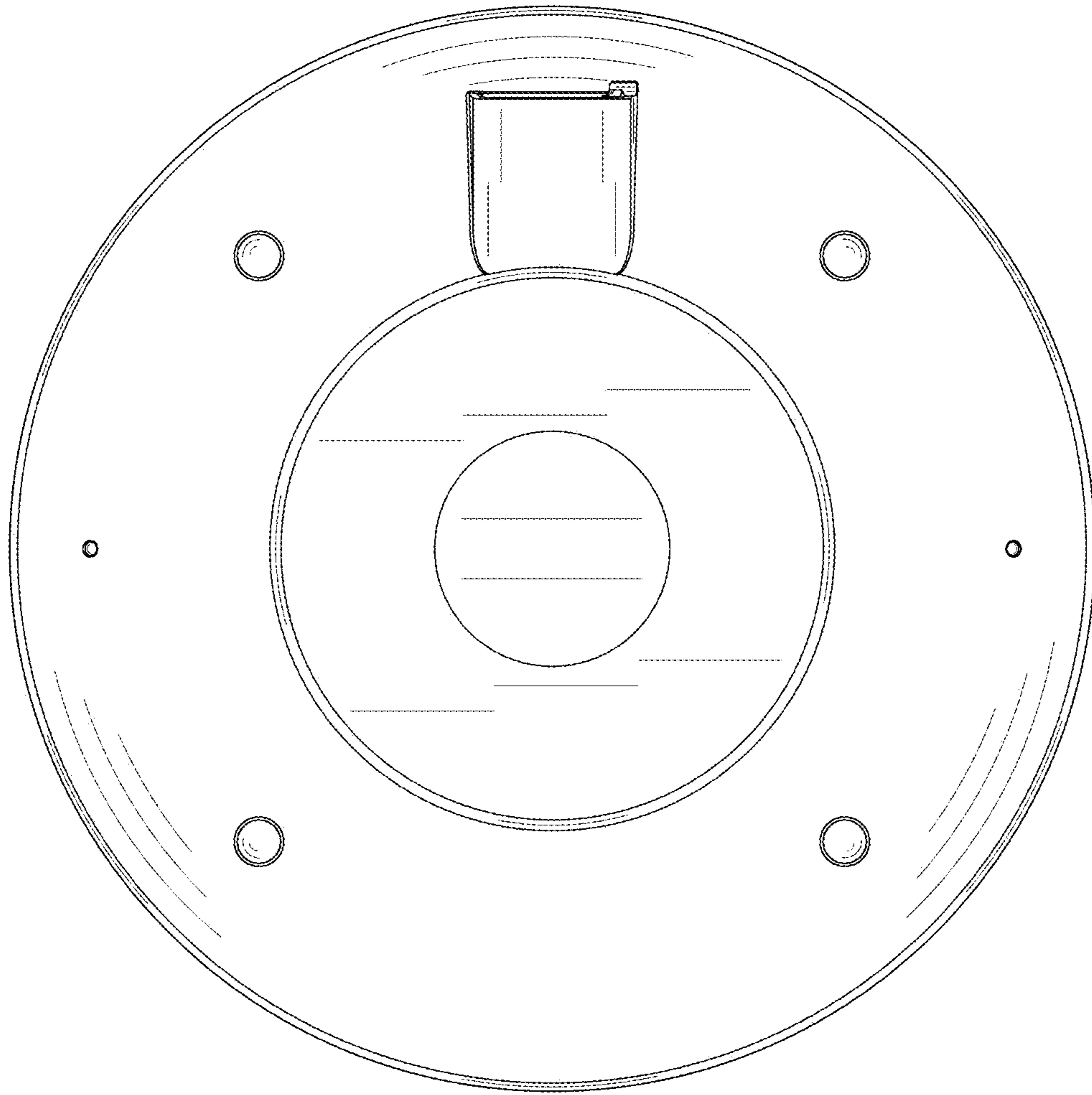


FIG. 2

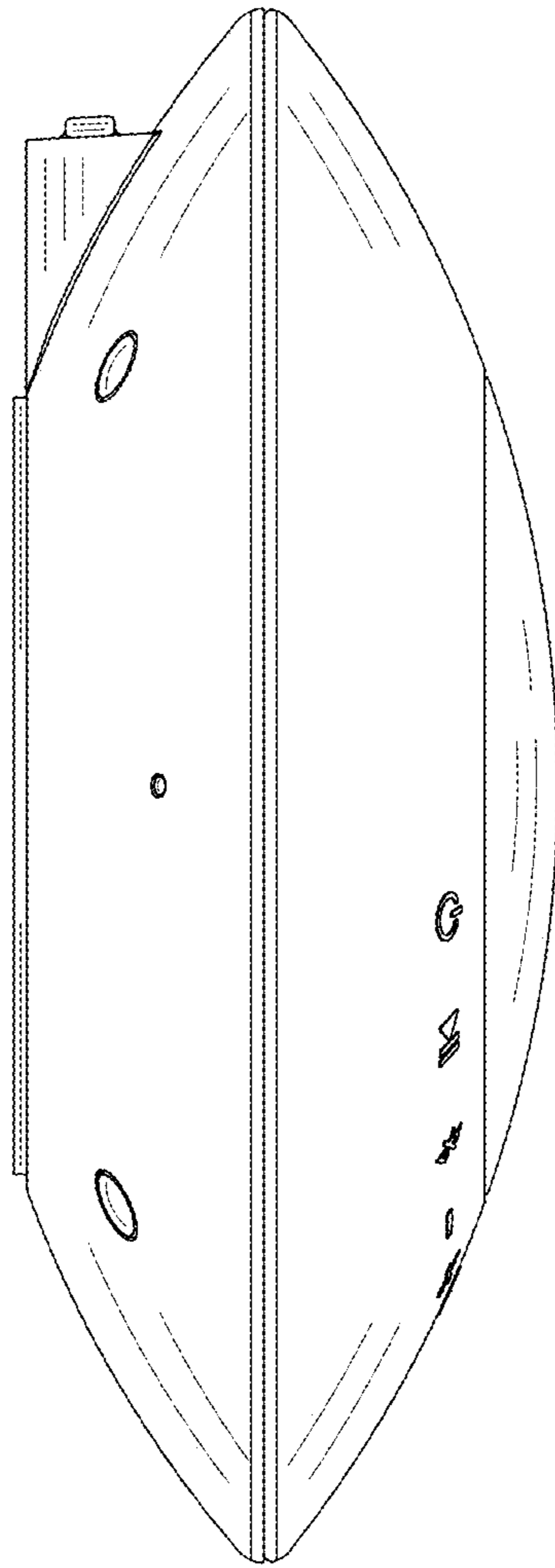


FIG. 3

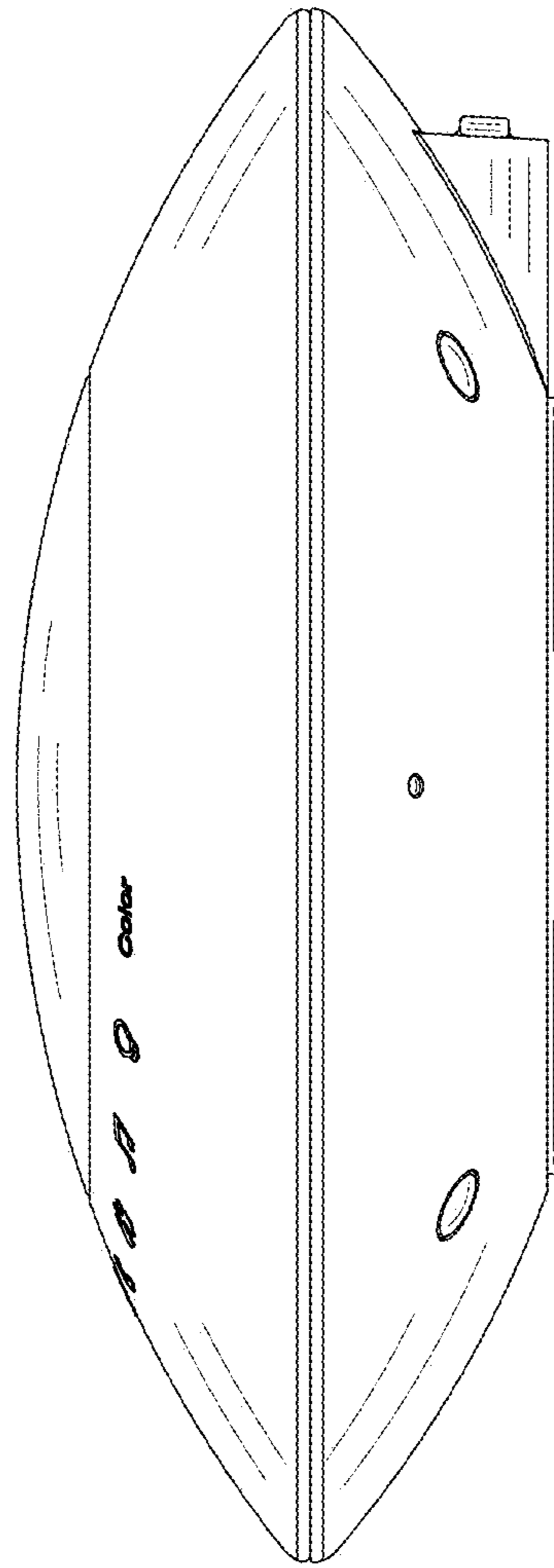


FIG. 4

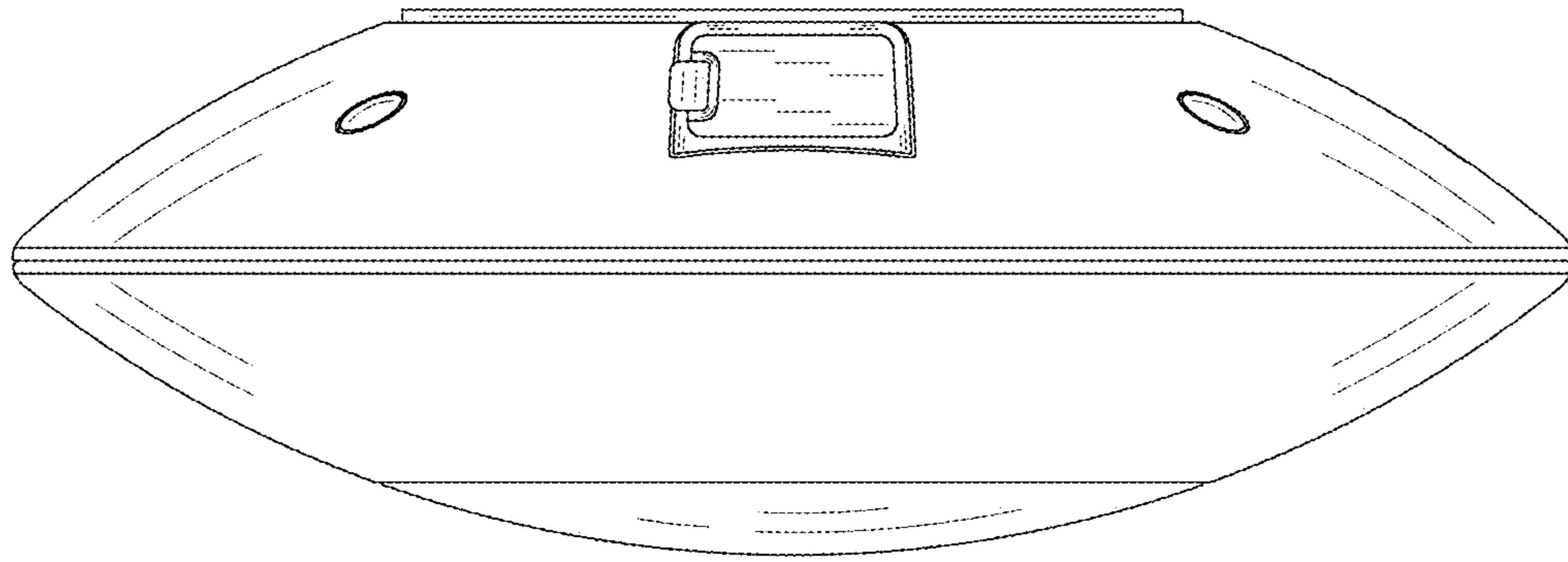


FIG. 5

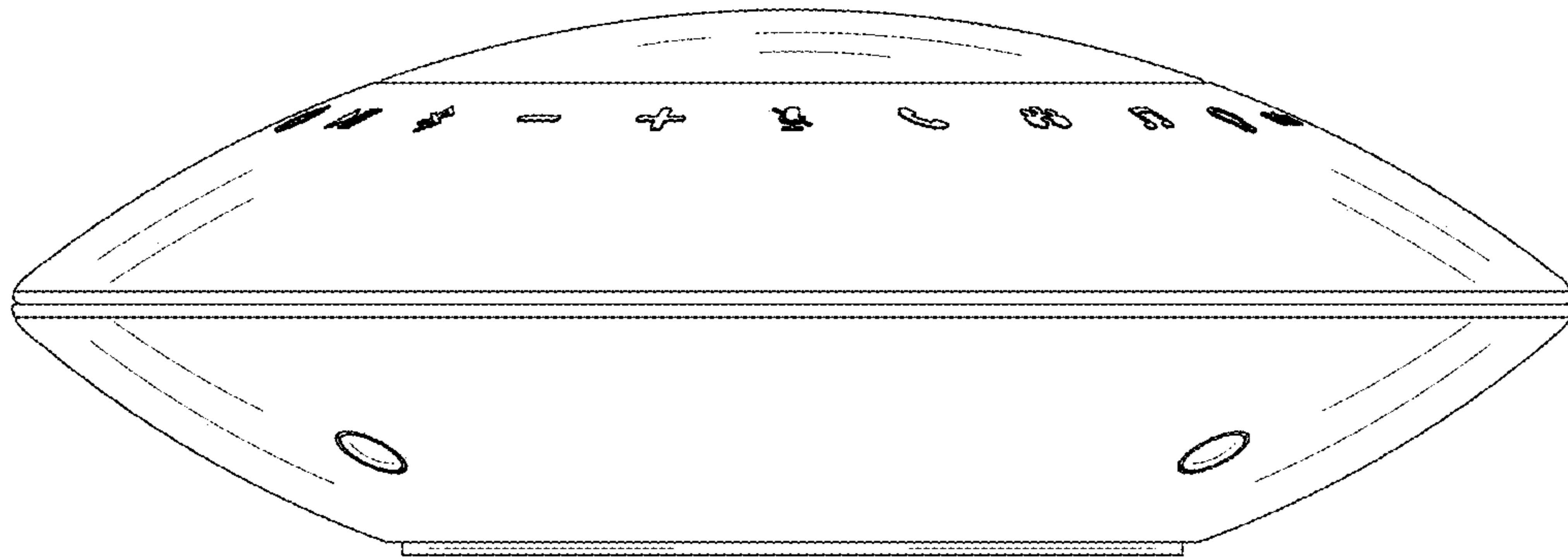


FIG. 6

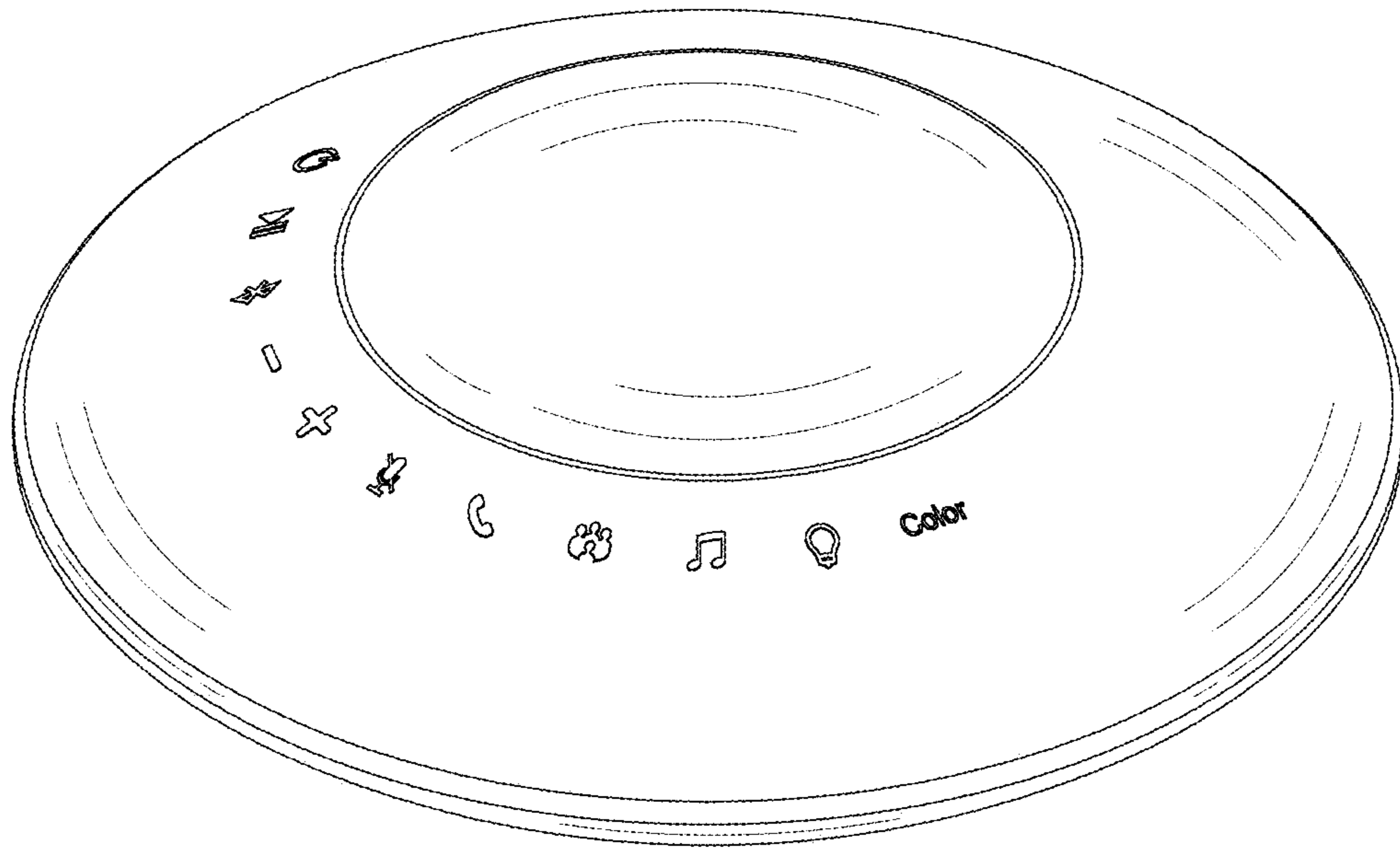


FIG. 7

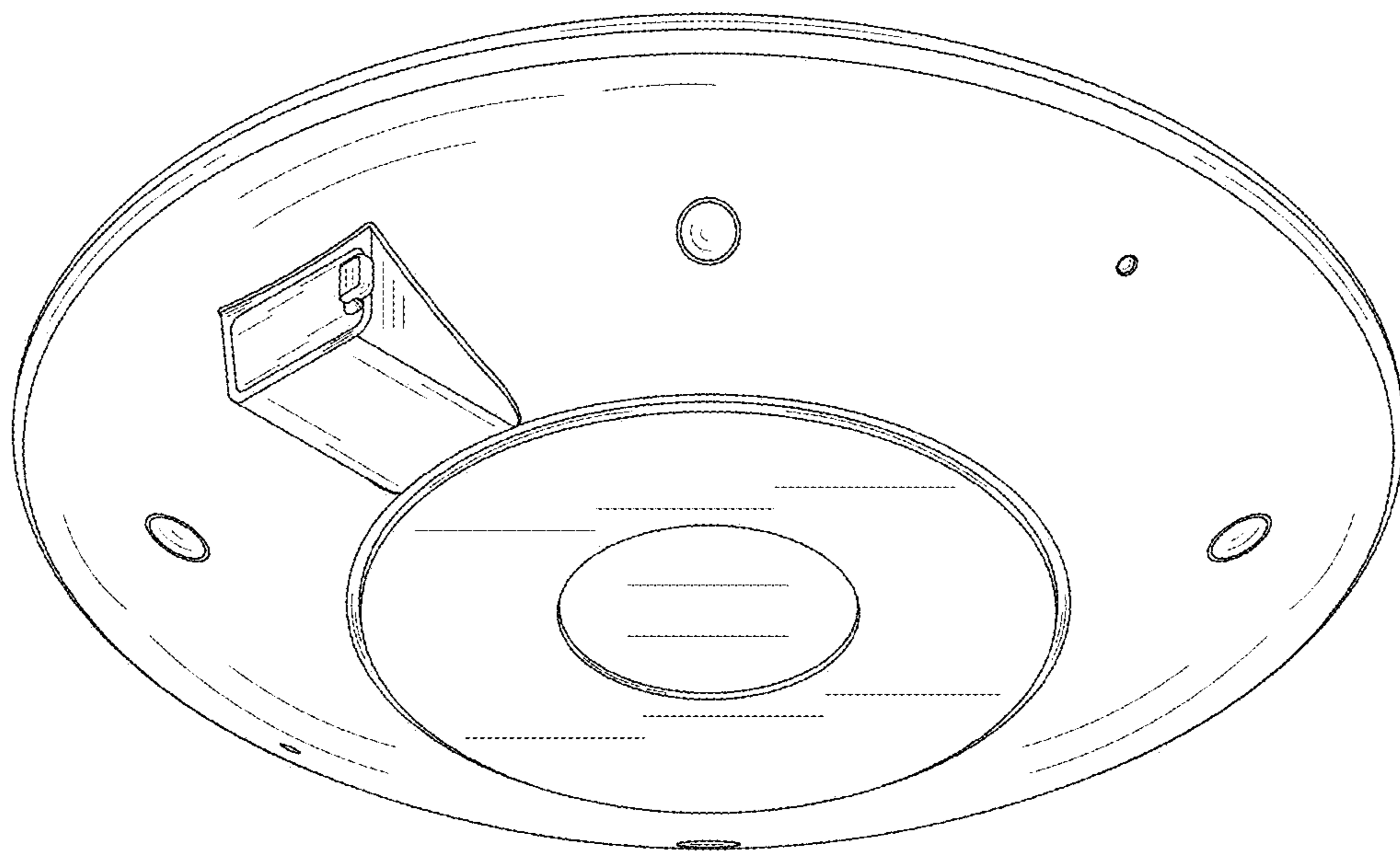


FIG. 8