



US00D975053S

(12) **United States Design Patent**
Ma

(10) **Patent No.:** **US D975,053 S**
(45) **Date of Patent:** **** Jan. 10, 2023**

(54) **LOUDSPEAKER**

(71) Applicant: **SHENZHEN GEEKBUY
E-COMMERCE LIMITED
COMPANY, Shenzhen (CN)**

(72) Inventor: **Kuiyuan Ma, Shenzhen (CN)**

(73) Assignee: **SHENZHEN GEEKBUY
E-COMMERCE LIMITED
COMPANY, Shenzhen (CN)**

(**) Term: **15 Years**

(21) Appl. No.: **29/797,302**

(22) Filed: **Jun. 30, 2021**

(51) **LOC (14) Cl.** **14-01**

(52) **U.S. Cl.**
USPC **D14/214**

(58) **Field of Classification Search**
USPC D10/15, 104.1, 106.1; D14/195, 204,
D14/215, 210, 214, 168, 170, 225, 188,
D14/356, 203.3, 211, 171, 209.1, 496;
D23/364

CPC H04R 1/02; H04R 1/026; H04R 9/06
See application file for complete search history.

(56) **References Cited**

U.S. PATENT DOCUMENTS

D249,651 S *	9/1978	Hirosawa	D10/15
D360,368 S *	7/1995	Pickett	D14/197
D418,138 S *	12/1999	Miyazaki	D14/214
D621,384 S *	8/2010	Kao	D14/214
D660,285 S *	5/2012	Lee	D14/214
D702,663 S *	4/2014	Kim	D14/209.1
D707,203 S *	6/2014	Xie	D14/204
D726,150 S *	4/2015	Shih	D14/214
D730,314 S *	5/2015	Chapman	D14/204
D753,185 S *	4/2016	Ryu	D14/496
D781,263 S *	3/2017	Tong	D14/204
D796,480 S *	9/2017	Sung	D14/214

D803,187 S *	11/2017	Gunnarsson	D14/210
D821,357 S *	6/2018	Tragatschnig	D14/214
D833,416 S *	11/2018	Hu	D14/204
D843,351 S *	3/2019	Osborn	D14/214

(Continued)

OTHER PUBLICATIONS

[Portable Bluetooth Speakers], available in Amazon.com, date first available Jul. 30, 2021 [online], [site visited Sep. 28, 2022], Available from the internet URL: <https://www.amazon.com/Portable-Tronsmart-Studio-Bluetooth-Waterproof/dp/B09BHZVPK4> (Year: 2021).*

(Continued)

Primary Examiner — Khawaja Anwar

Assistant Examiner — Megan Tiana Rakos

(74) *Attorney, Agent, or Firm* — Nitin Kaushik

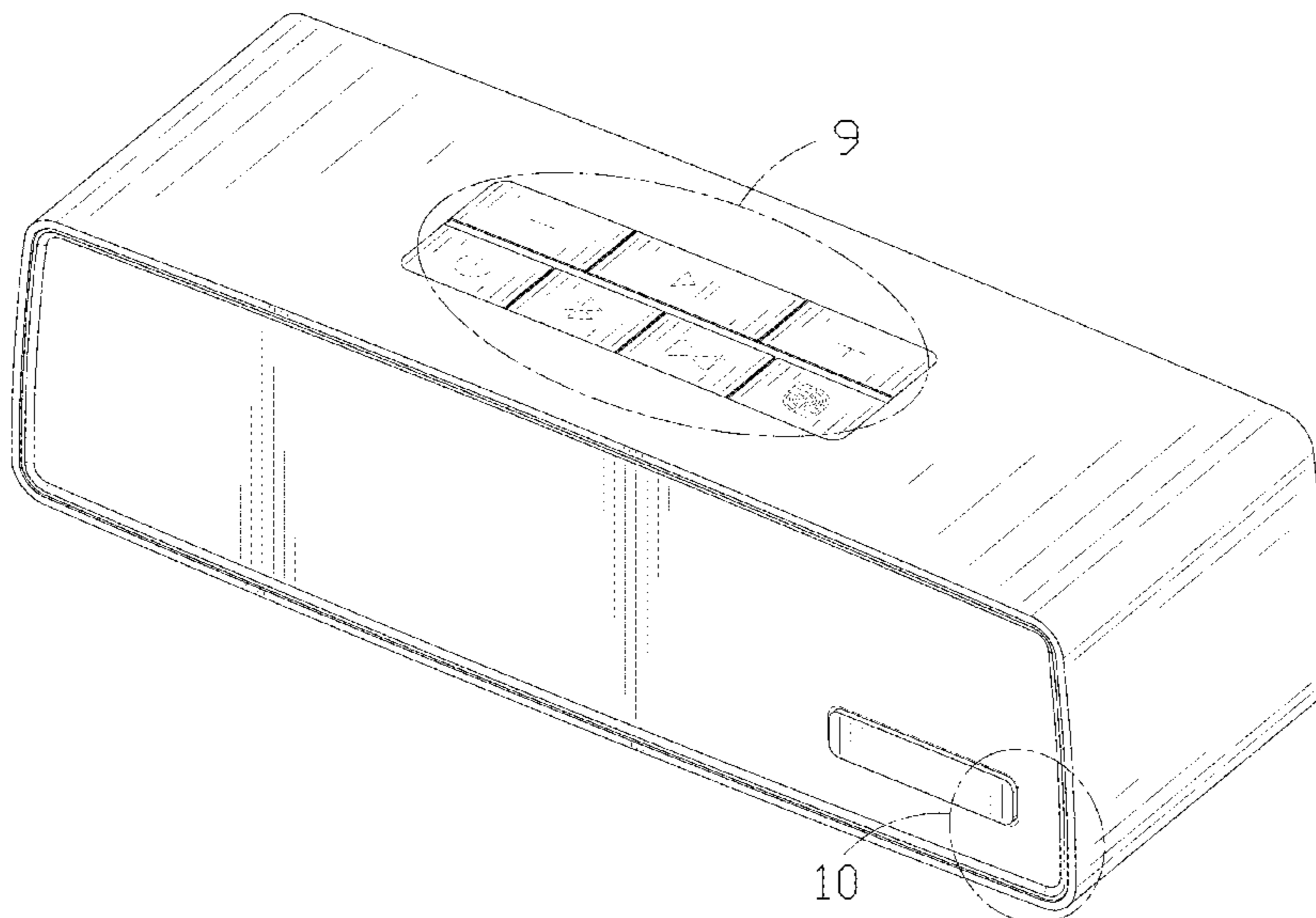
(57) **CLAIM**

The ornamental design for a loudspeaker, as shown and described.

DESCRIPTION

FIG. 1 is a perspective view of a loudspeaker showing my new design;
FIG. 2 is another perspective view thereof;
FIG. 3 is a front elevational view thereof;
FIG. 4 is a rear elevational view thereof;
FIG. 5 is a left side elevational view thereof;
FIG. 6 is a right side elevational view thereof;
FIG. 7 is a top plan view thereof;
FIG. 8 is a bottom plan view thereof;
FIG. 9 is an enlarged view of portion 9 shown in FIG. 1;
FIG. 10 is an enlarged view of portion 10 shown in FIG. 1; and,
FIG. 11 is an enlarged view of portion 11 shown in FIG. 2.
The broken lines in the drawings depict portions of the loudspeaker that form no part of the claimed design.

1 Claim, 11 Drawing Sheets



(56)

References Cited

U.S. PATENT DOCUMENTS

D852,161 S * 6/2019 Hannibal, III D14/188
D886,789 S * 6/2020 Huang D14/204
D929,363 S * 8/2021 He D14/204

OTHER PUBLICATIONS

[Tronsmart Studio Bluetooth Speaker review], available in the-gadgeteer.com, announced Year 2021 [online], [site visited Sep. 28, 2022], Internet URL: <https://the-gadgeteer.com/2021/09/30/tronsmart-studio-bluetooth-speaker-review/>Date (Year: 2021).*

[Tronsmart Studio—30w Wireless Bluetooth Speaker], announced in YouTube on Sep. 6, 2021 [online], [site visited dSep. 27, 2022], Available from the internet URL: <https://www.youtube.com/watch?v=YsYFGnTi-70> (Year: 2021).*

* cited by examiner

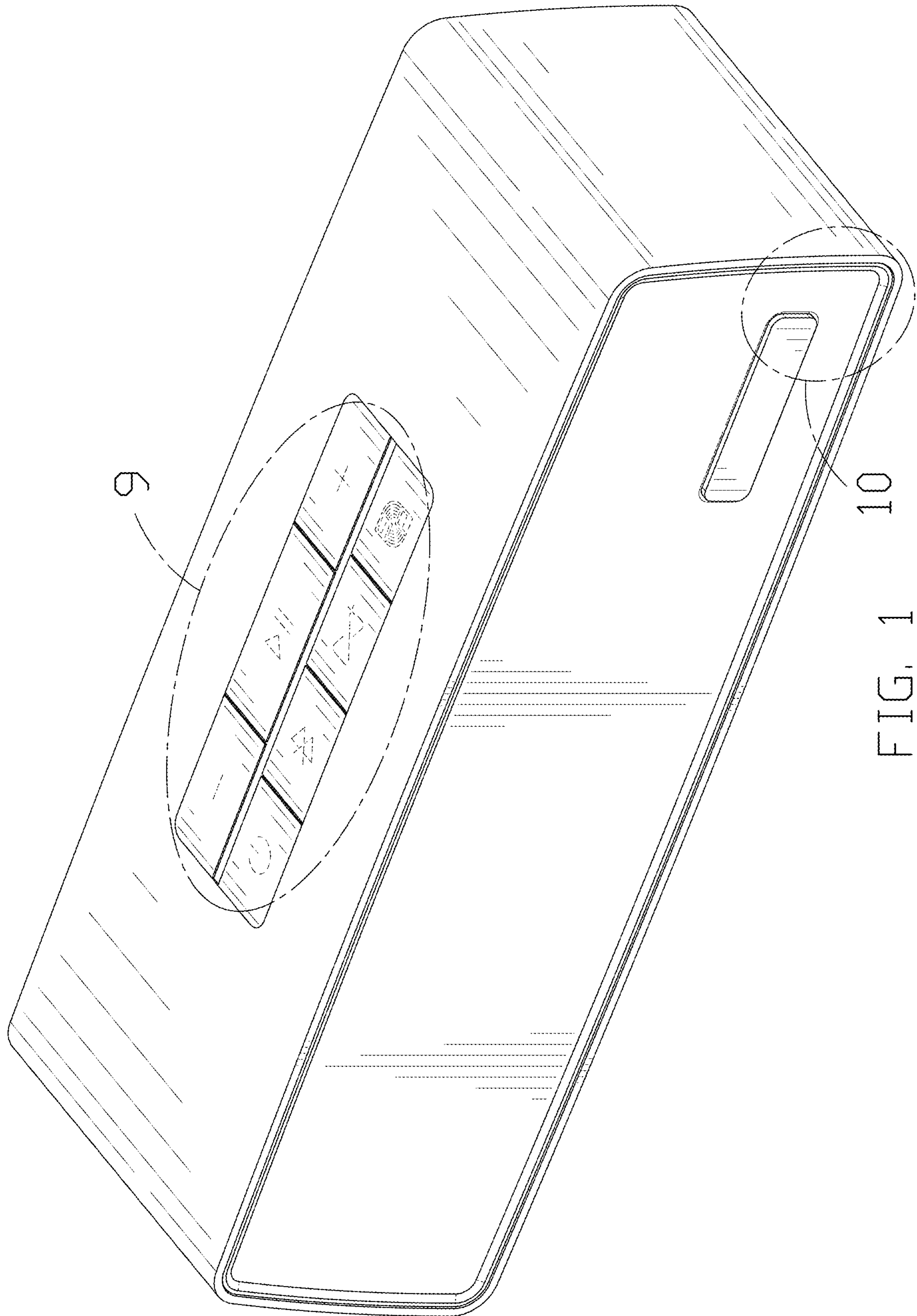


FIG. 1

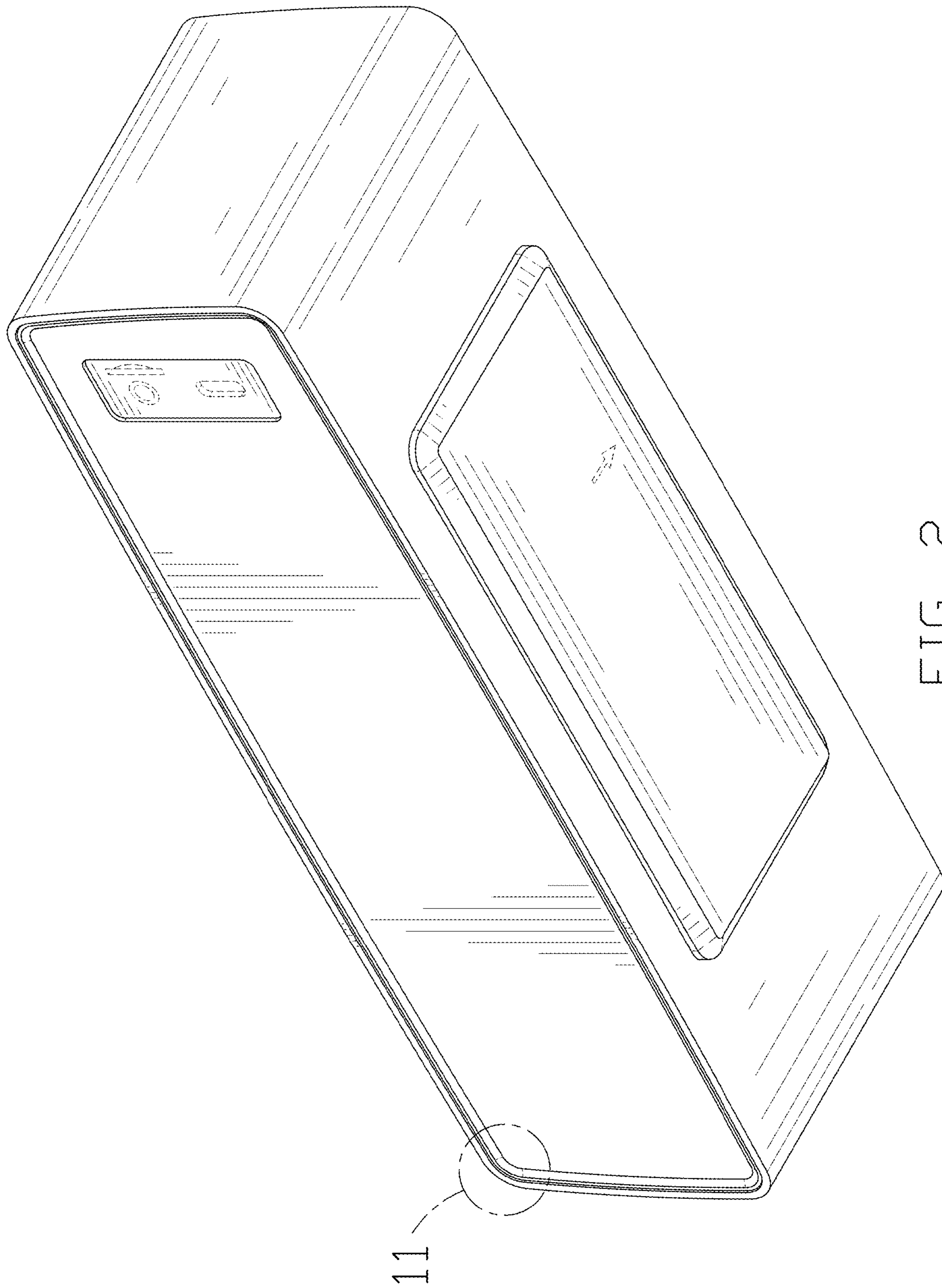


FIG. 2

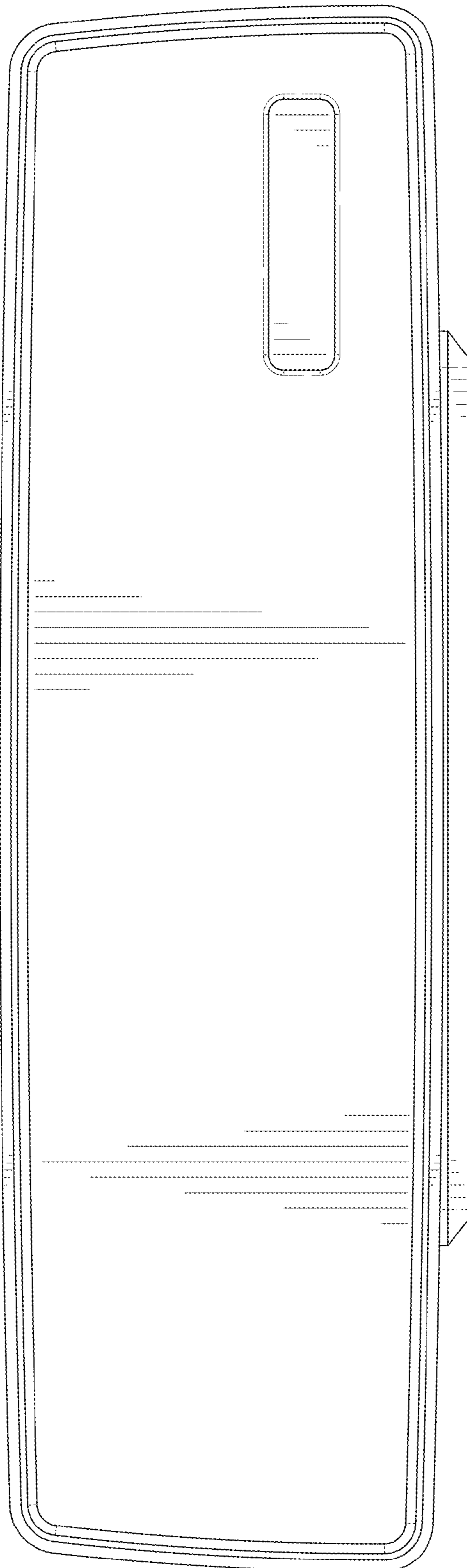


FIG. 3

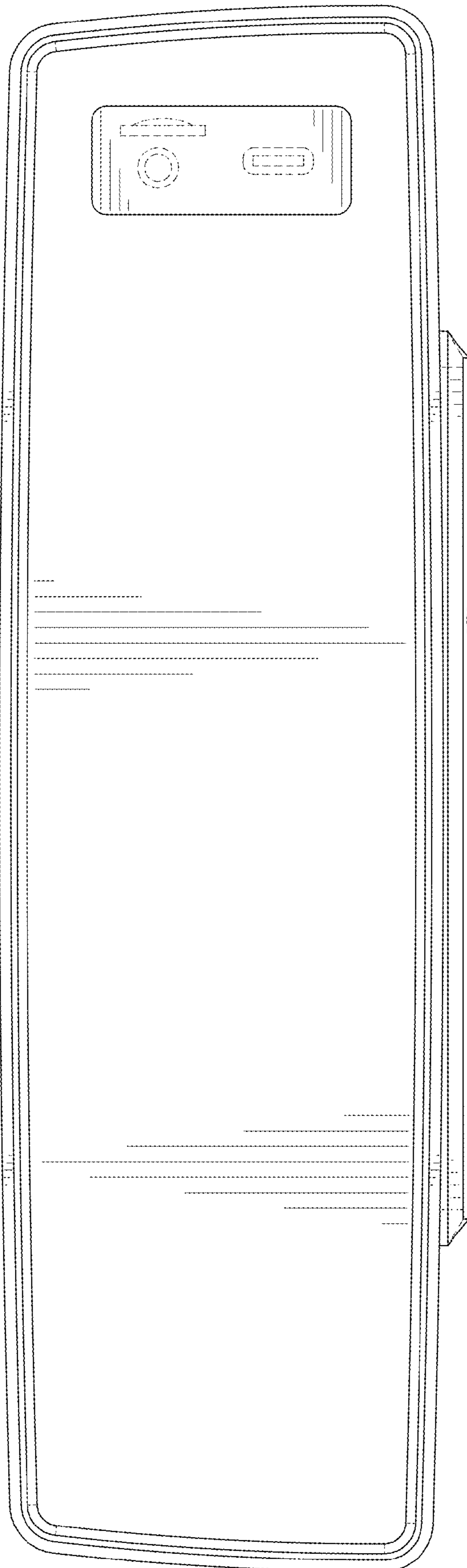


FIG. 4

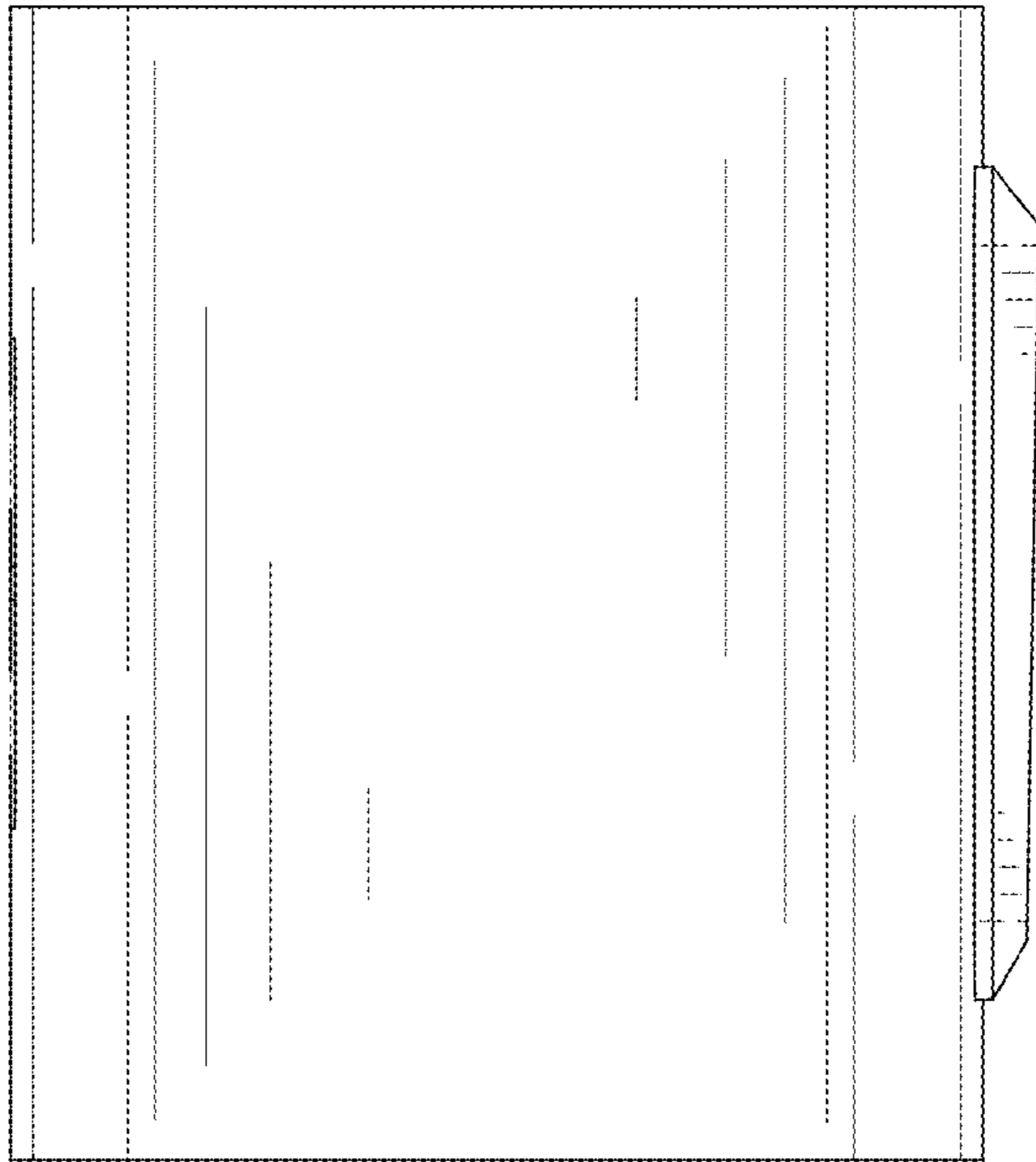


FIG. 5

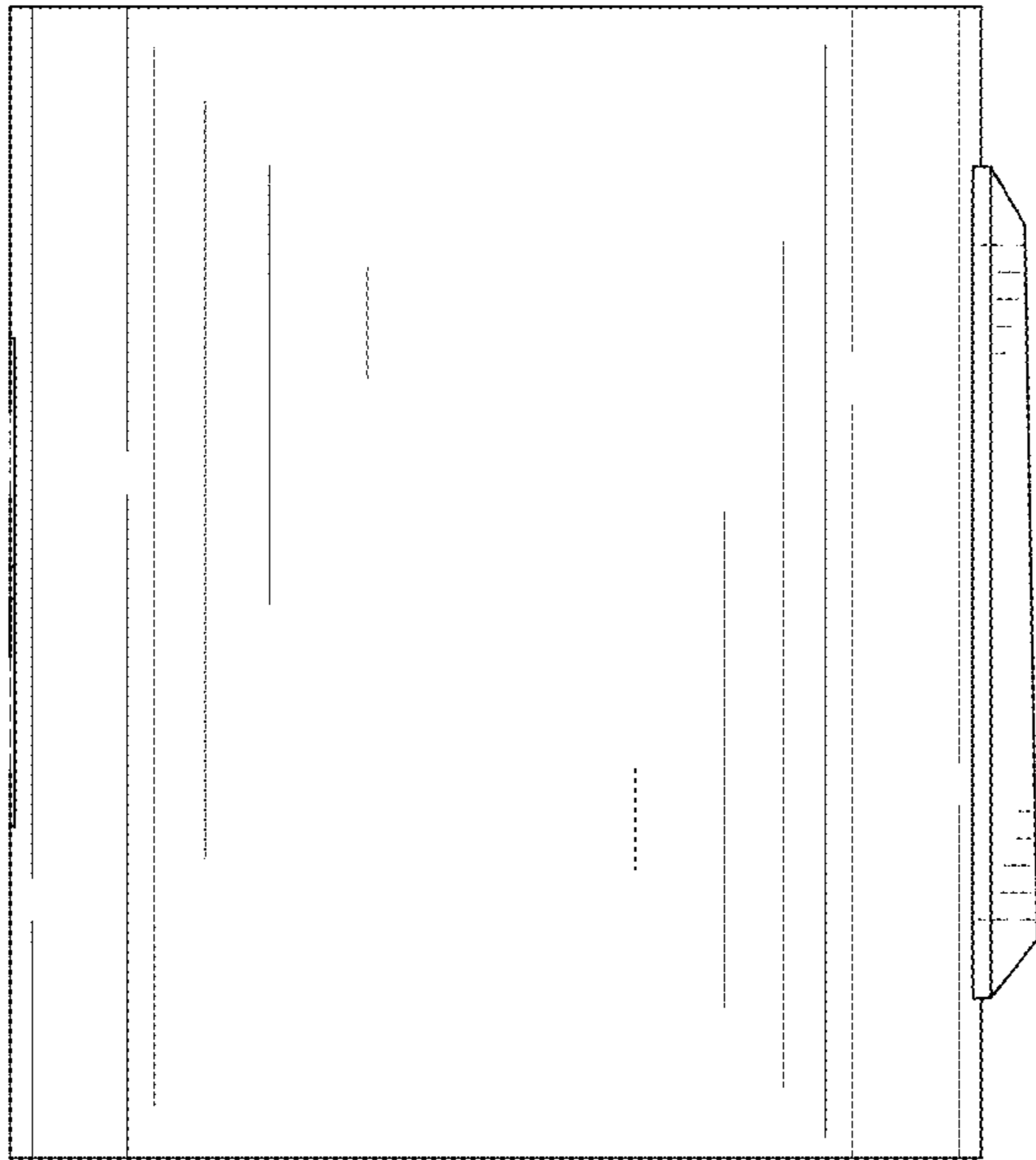


FIG. 6

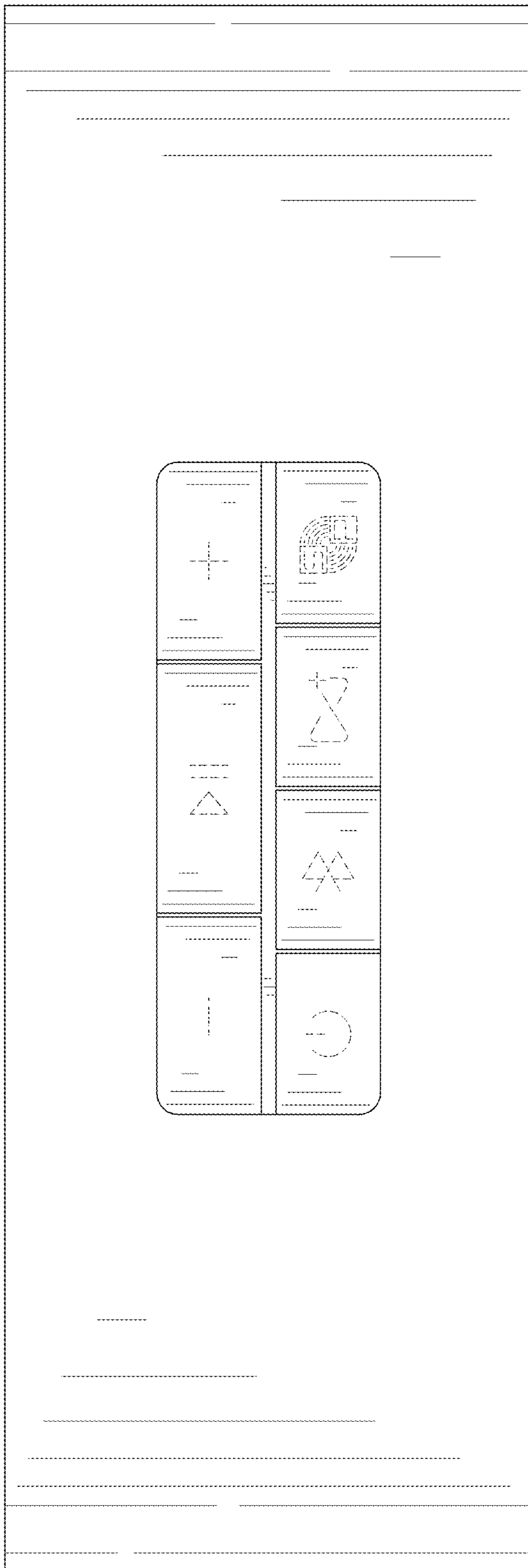


FIG. 7

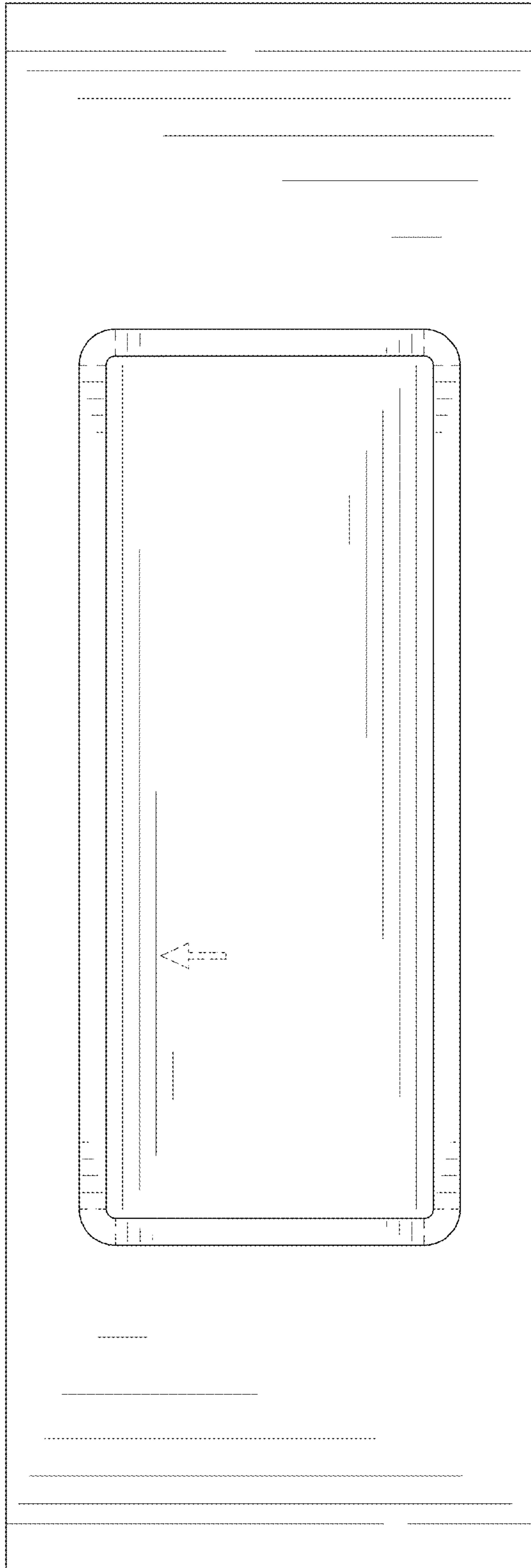


FIG. 8

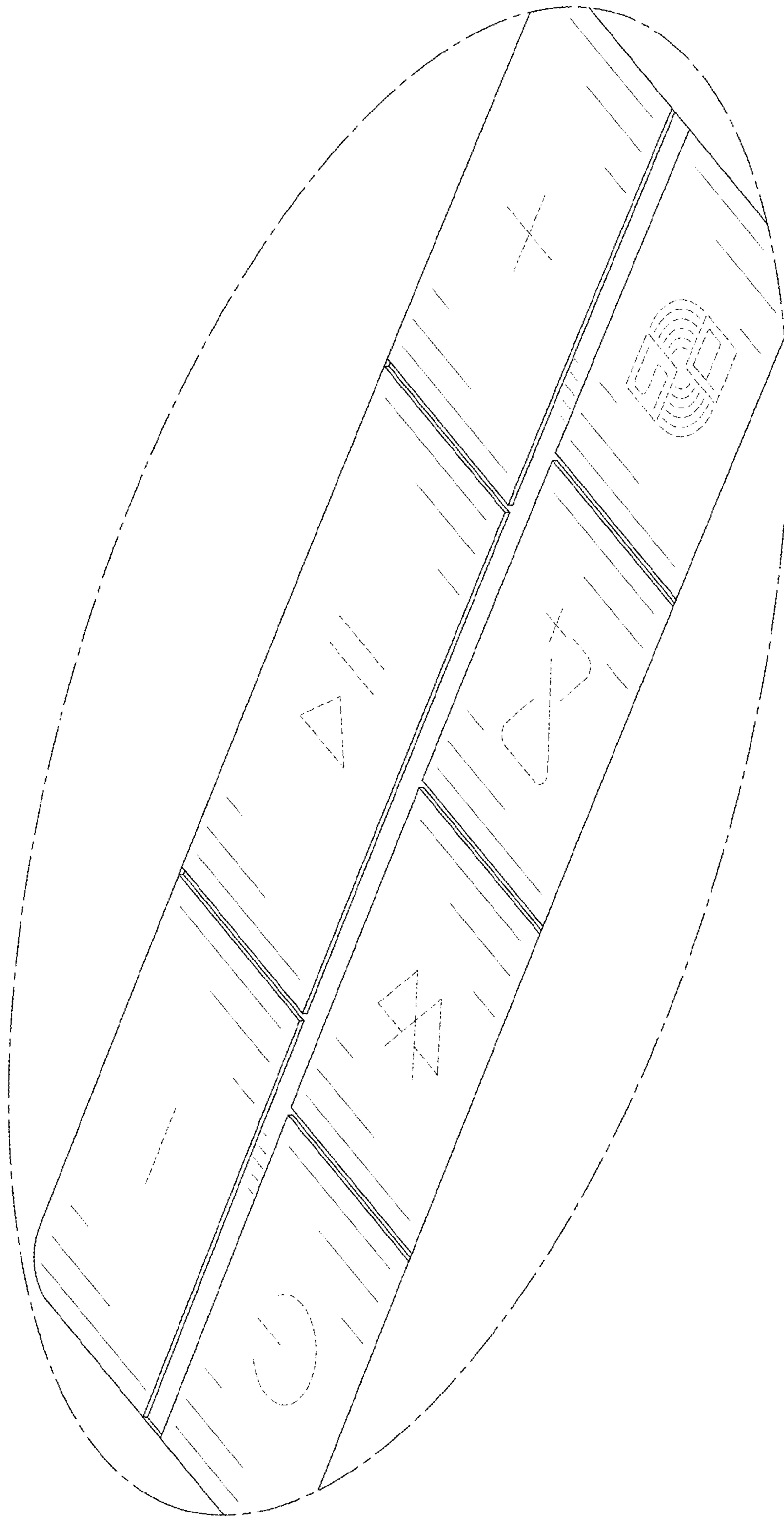


FIG. 9

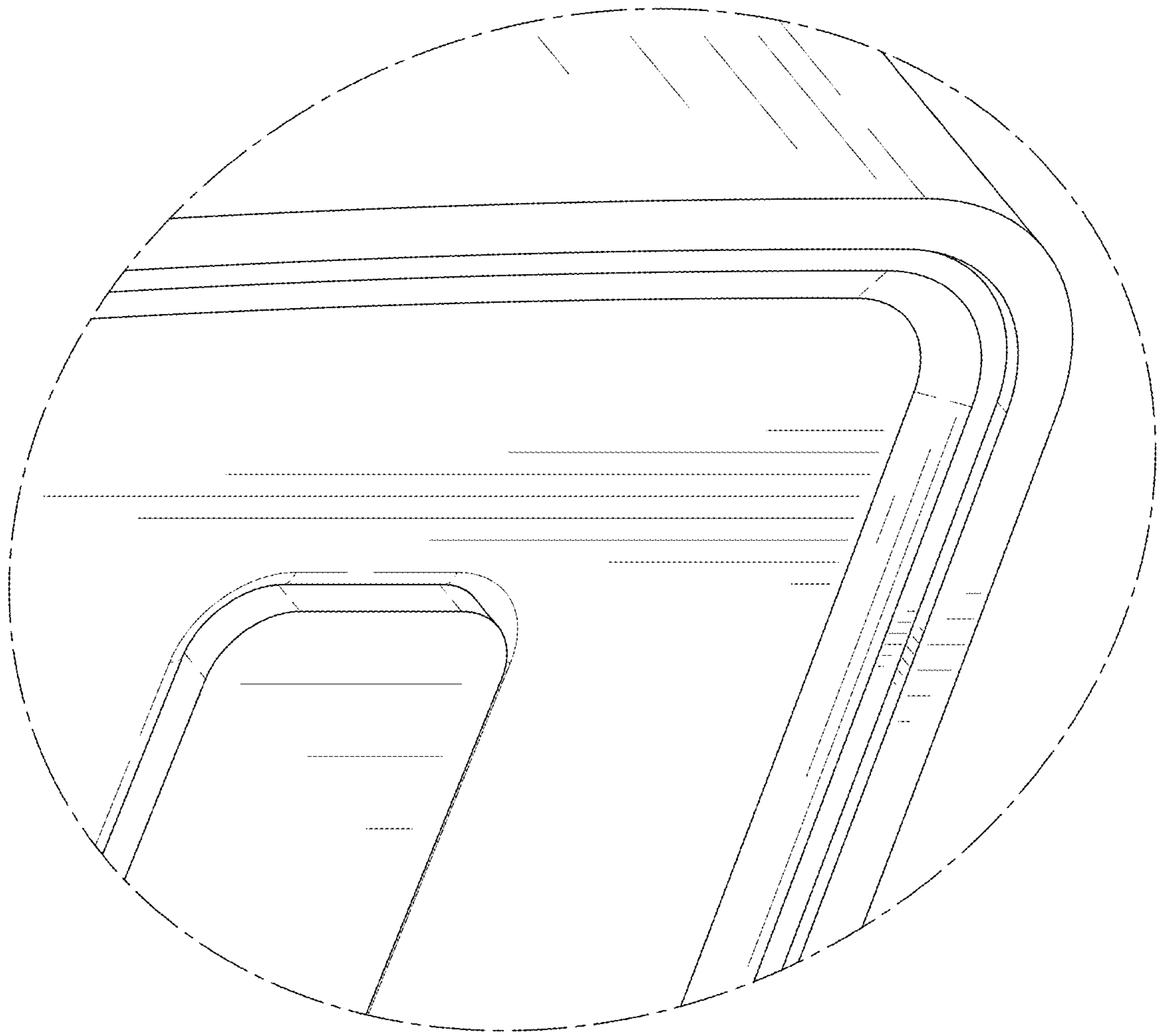


FIG. 10

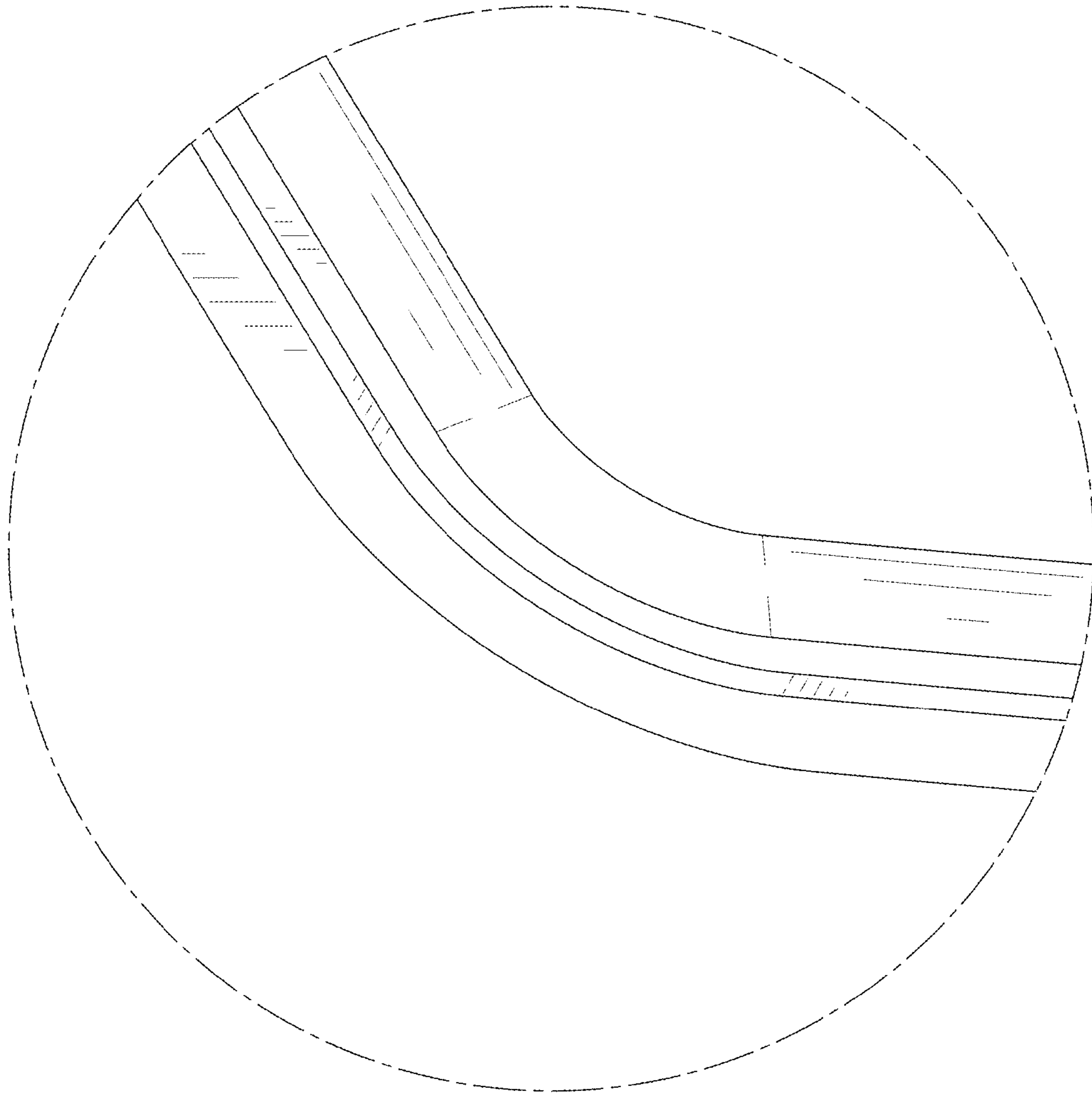


FIG. 11