



US00D975052S

(12) **United States Design Patent**
Zeng

(10) **Patent No.:** **US D975,052 S**
(45) **Date of Patent:** **** Jan. 10, 2023**

(54) **HEADSET**

(71) Applicant: **Yueping Zeng**, Ganzhou (CN)

(72) Inventor: **Yueping Zeng**, Ganzhou (CN)

(**) Term: **15 Years**

(21) Appl. No.: **29/776,994**

(22) Filed: **Apr. 1, 2021**

(51) **LOC (14) Cl.** **14-01**

(52) **U.S. Cl.**
USPC **D14/206**

(58) **Field of Classification Search**
USPC D14/206, 205, 218, 225, 434, 435.1;
D29/112; 2/209; 381/380-381, 382;
D13/168

CPC H04R 25/00; H04R 25/02; H04R 1/10;
H04R 1/1033; H04R 1/1066; H04R
1/1016; H04R 5/033; H04R 5/0335;
H04R 11/04; H04R 1/1091; H04R 19/04
See application file for complete search history.

(56) **References Cited**

U.S. PATENT DOCUMENTS

- 4,499,593 A * 2/1985 Antle H04R 1/1066
381/378
- D346,802 S * 5/1994 Sacherman D14/206
- 6,560,346 B2 * 5/2003 Ohta H04R 1/083
381/370
- 6,625,293 B1 * 9/2003 Nageno H04R 1/08
181/20
- D498,470 S * 11/2004 Skulley D14/206
- D504,887 S * 5/2005 Skulley D14/223
- D505,413 S * 5/2005 Skulley D14/223
- D518,479 S * 4/2006 Skulley D14/225
- D519,990 S * 5/2006 Lazor D14/229
- D529,900 S * 10/2006 Skulley D14/223
- D534,155 S * 12/2006 Obata D14/205
- D535,980 S * 1/2007 Bentley D14/225

- D537,815 S * 3/2007 Bentley D14/206
- D539,267 S * 3/2007 Komiyama D14/205
- 7,190,330 B2 * 3/2007 Travers G02B 27/0176
345/7
- D539,788 S * 4/2007 Thompson D14/225
- D540,303 S * 4/2007 Rausch D14/205
- D540,313 S * 4/2007 Rausch D14/225
- D541,256 S * 4/2007 Rausch D14/205
- D569,813 S * 5/2008 Charleux D13/168
- D588,100 S * 3/2009 Densho D14/205
- D602,001 S * 10/2009 Bentley D14/206
- D602,908 S * 10/2009 Ham D14/206
- D603,371 S * 11/2009 Boateng D14/205
- D617,781 S * 6/2010 Kallas D14/229
- D625,705 S * 10/2010 Ohori D14/223
- D632,668 S * 2/2011 Brunner D14/205
- D648,330 S * 11/2011 Fischer D14/226

(Continued)

FOREIGN PATENT DOCUMENTS

- CN 306267743 * 1/2021
- CN 306382237 * 3/2021

(Continued)

Primary Examiner — Paula Allen Greene

(74) *Attorney, Agent, or Firm* — Sandy Lipkin

(57) **CLAIM**

The ornamental design for a headset, as shown and described.

DESCRIPTION

FIG. 1 is a front view of a headset, showing my new design;
FIG. 2 is a top plan view thereof;
FIG. 3 is a bottom plan view thereof;
FIG. 4 is a rear plan view thereof;
FIG. 5 is a left plan view thereof;
FIG. 6 is a right plan view thereof; and,
FIG. 7 is a perspective view thereof.

1 Claim, 7 Drawing Sheets



(56)

References Cited

U.S. PATENT DOCUMENTS

D654,472 S * 2/2012 Fischer D14/206
 D666,168 S * 8/2012 Rath D14/206
 D667,388 S * 9/2012 Kelley D14/206
 D673,524 S * 1/2013 Brennwald D14/206
 D681,014 S * 4/2013 Ham D14/206
 D691,113 S * 10/2013 Gougherty D14/206
 D725,630 S * 3/2015 Nakagawa D14/205
 9,031,254 B2 * 5/2015 Heise H04R 1/1066
 381/74
 D730,868 S * 6/2015 Birger D14/206
 D733,090 S * 6/2015 Petersen D14/205
 D741,842 S * 10/2015 Levine D14/226
 D743,381 S * 11/2015 Pi D14/218
 D758,353 S * 6/2016 Akana D14/218
 9,426,554 B2 * 8/2016 Dai H04R 1/083
 D838,687 S * 1/2019 Wu D14/205
 D843,349 S * 3/2019 Burgess D14/206
 D848,395 S * 5/2019 Kelley D14/205
 D851,627 S * 6/2019 ter Laag D14/205
 D856,303 S * 8/2019 Ando D14/205
 D859,353 S * 9/2019 Wagner D14/205
 D867,367 S * 11/2019 Wang D14/433
 D870,069 S * 12/2019 Hu D14/206
 D875,073 S * 2/2020 Pedersen D14/206
 D881,843 S * 4/2020 Hu D14/206
 D888,008 S * 6/2020 Yook D14/205
 D893,452 S * 8/2020 Yook D14/205
 D901,444 S * 11/2020 Huang D14/218
 D915,348 S * 4/2021 He D14/206

D927,458 S * 8/2021 Su D14/206
 D928,116 S * 8/2021 Su D14/206
 D940,667 S * 1/2022 Bi D14/218
 D950,520 S * 5/2022 Yan D14/206
 D951,907 S * 5/2022 Bellham D14/206
 D952,599 S * 5/2022 Bellham D14/206
 2005/0286717 A1 * 12/2005 Viduya H04M 1/18
 379/430
 2009/0010476 A1 * 1/2009 Pan H04R 1/1033
 381/382
 2011/0044463 A1 * 2/2011 DiRusso H04R 5/0335
 381/378
 2011/0051976 A1 * 3/2011 Tsai H04R 1/1066
 381/378
 2011/0222719 A1 * 9/2011 Hagberg H04R 1/1066
 381/375
 2011/0228925 A1 * 9/2011 Birch H04R 1/1041
 379/428.02
 2013/0177195 A1 * 7/2013 Sze H04R 1/1008
 381/384
 2015/0282101 A1 * 10/2015 Soulhi H04W 52/245
 455/67.14
 2017/0041695 A1 * 2/2017 Hernandez Vazquez
 H04R 1/105
 2019/0289379 A1 * 9/2019 Wu H04R 1/1008
 2020/0236456 A1 * 7/2020 Gallo H04R 1/1008

FOREIGN PATENT DOCUMENTS

EM 004425635-0001 * 10/2017
 TW 194923-0001 * 5/2018

* cited by examiner

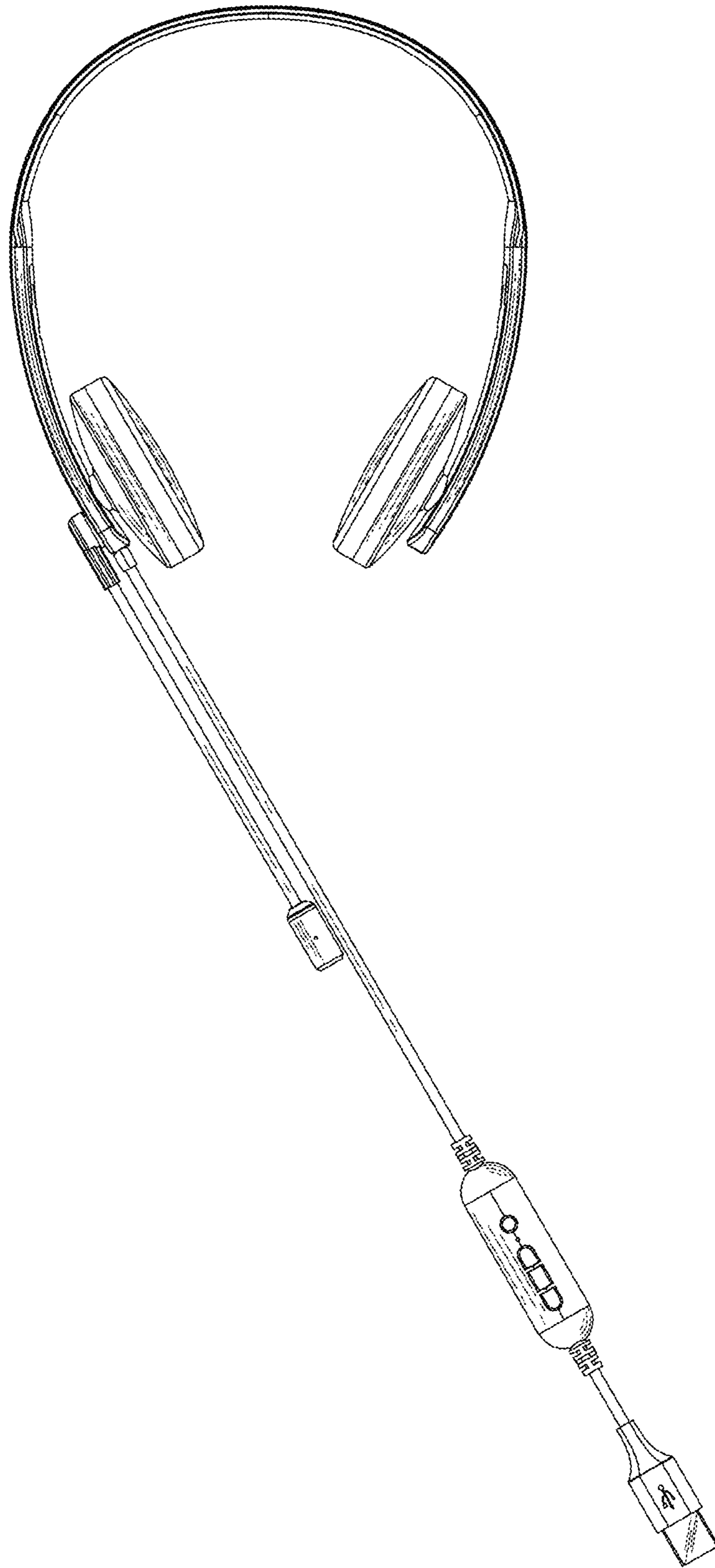


FIG. 1

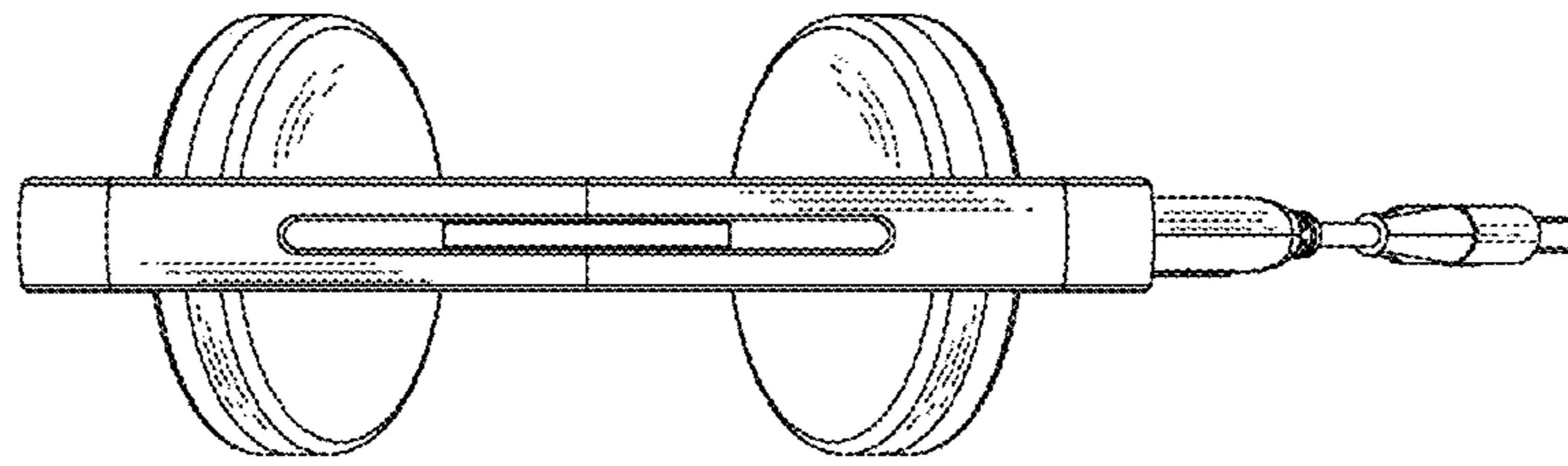


FIG. 2

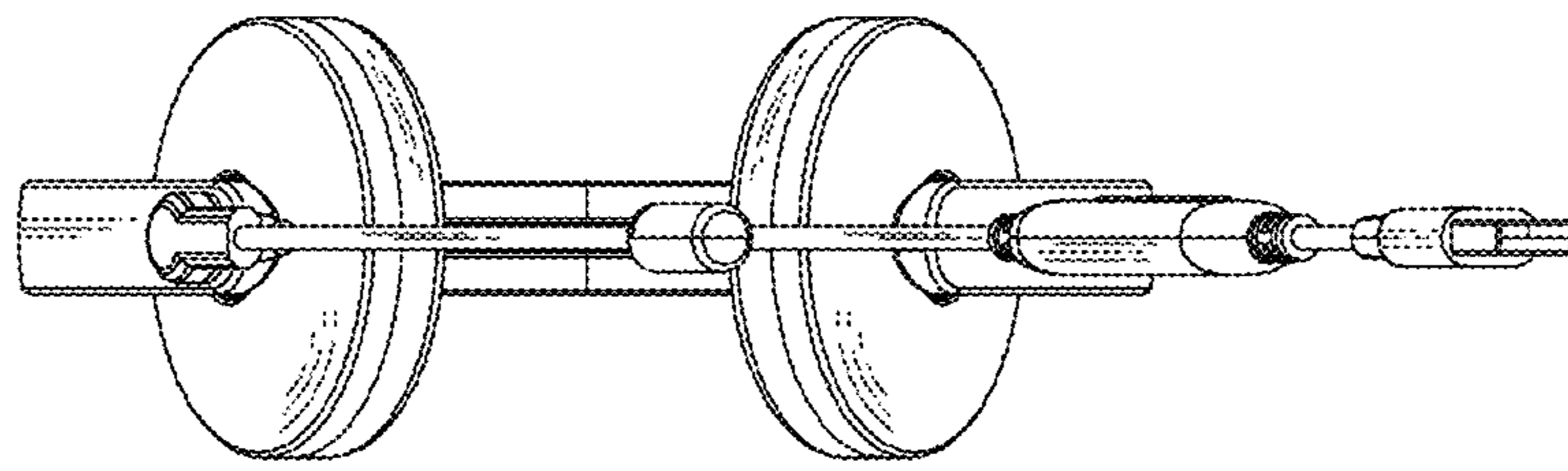


FIG. 3

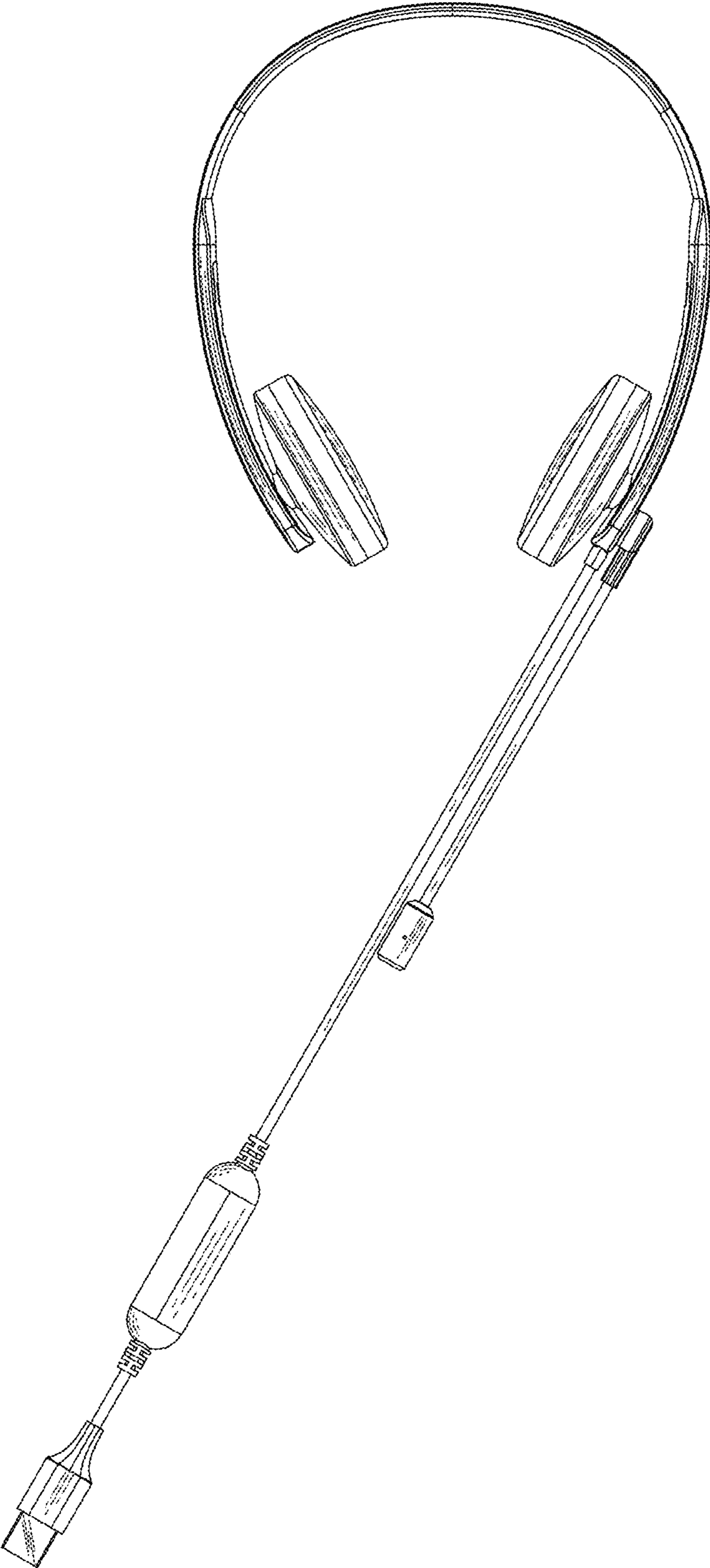


FIG. 4

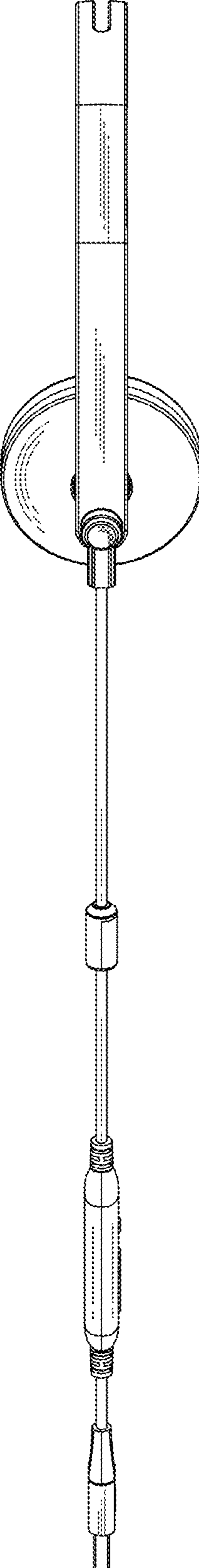


FIG. 5

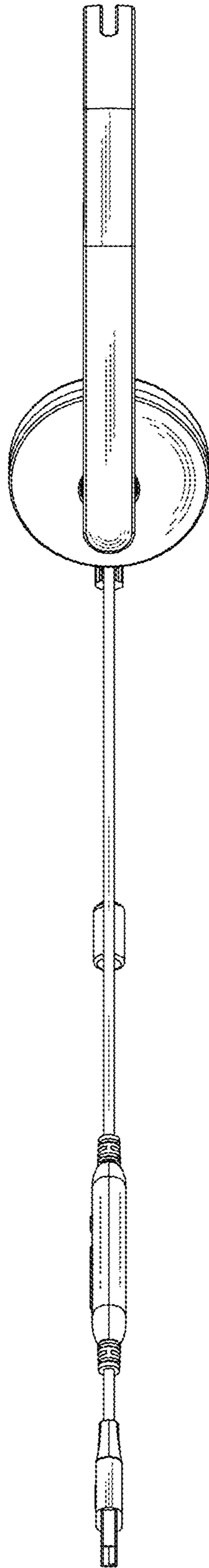


FIG. 6

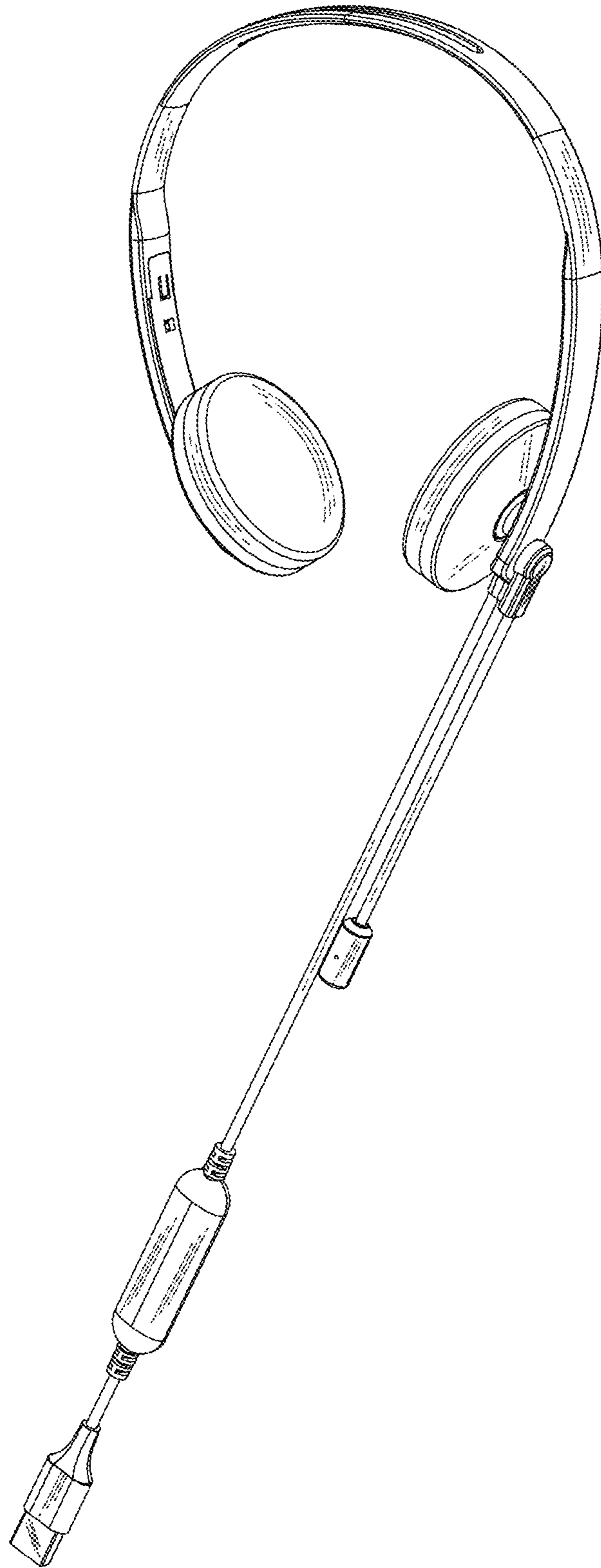


FIG. 7