



US00D975050S

(12) **United States Design Patent**
Smiechowski et al.

(10) **Patent No.:** **US D975,050 S**
(45) **Date of Patent:** **** Jan. 10, 2023**

(54) **HEADPHONES**

(71) Applicant: **Apple Inc.**, Cupertino, CA (US)
(72) Inventors: **Christina J. Smiechowski**, West Hollywood, CA (US); **Carlos M. Santana**, Granada Hills, CA (US); **Kevin P. Blasko**, Santa Monica, CA (US); **Guillaume Raoult**, San Francisco, CA (US); **Christopher Kuh**, San Francisco, CA (US); **Robert Brunner**, Glen Ellen, CA (US)

(73) Assignee: **Apple Inc.**, Cupertino, CA (US)

(**) Term: **15 Years**

(21) Appl. No.: **29/836,214**

(22) Filed: **Apr. 25, 2022**

Related U.S. Application Data

(63) Continuation of application No. 29/802,919, filed on Aug. 9, 2021, now Pat. No. Des. 949,823, which is a continuation of application No. 29/755,092, filed on Oct. 16, 2020, now Pat. No. Des. 927,453, which is a continuation of application No. 29/691,340, filed on May 15, 2019, now Pat. No. Des. 899,401.

(51) **LOC (14) Cl.** **14-01**

(52) **U.S. Cl.**
USPC **D14/205**

(58) **Field of Classification Search**
USPC D14/205, 188, 192; D29/112; 2/209;
381/380, 381, 374, 375
CPC H04R 25/00; H04R 25/02; H04R 1/1066;
H04R 1/1016; H04R 5/033; H04R
5/0335; H04R 1/10; H04R 1/1058; H04R
1/1091

See application file for complete search history.

(56) **References Cited**

U.S. PATENT DOCUMENTS

D504,414 S 4/2005 Yoshida
D534,155 S 12/2006 Obata
D540,301 S 4/2007 Obata
D552,077 S 10/2007 Brunner et al.
D582,890 S 12/2008 Koza et al.
D585,870 S 2/2009 Zheng et al.
D592,182 S 5/2009 Sanguinetti
D593,995 S 6/2009 Shimizu
D600,674 S 9/2009 Brennwald

(Continued)

FOREIGN PATENT DOCUMENTS

CN 304018747 S 1/2017
EM 004373660-0001 9/2017

(Continued)

OTHER PUBLICATIONS

JPO Document No. HJ22057059. Monster pp. 1-3.

Primary Examiner — Paula Allen Greene

(74) *Attorney, Agent, or Firm* — Sterne, Kessler, Goldstein & Fox P.L.L.C.

(57) **CLAIM**

The ornamental design for headphones, as shown and described.

DESCRIPTION

FIG. 1 is a top front perspective view of headphones showing the claimed design;
FIG. 2 is a top rear perspective view thereof;
FIG. 3 is a front view thereof;
FIG. 4 is a rear view thereof;
FIG. 5 is a left side view thereof;
FIG. 6 is a right side view thereof;

(Continued)

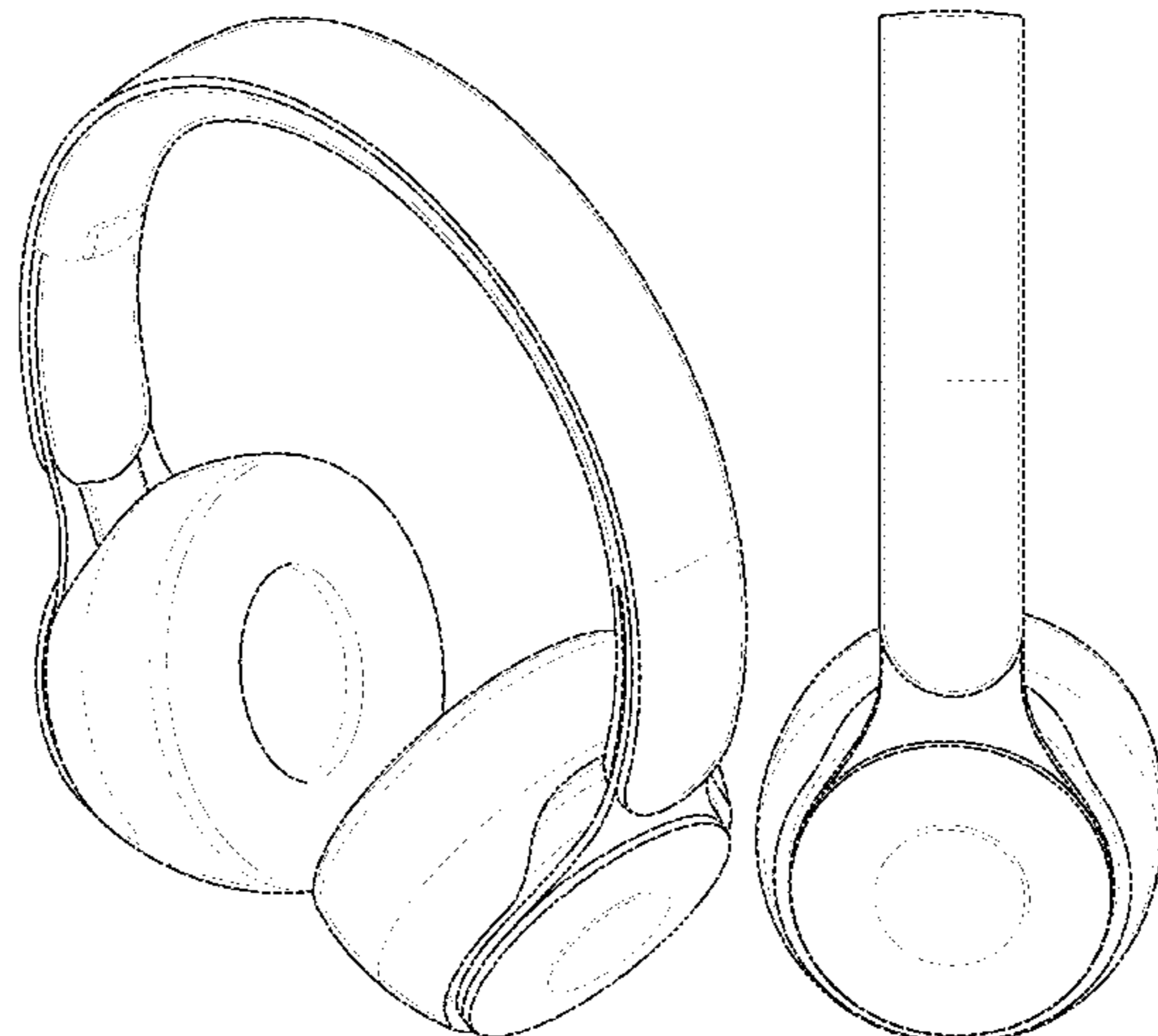


FIG. 7 is a top view thereof; and,
 FIG. 8 is a bottom view thereof.
 The broken lines in the figures show portions of the head-
 phones that form no part of the claimed design.

1 Claim, 6 Drawing Sheets

(56)

References Cited

U.S. PATENT DOCUMENTS

D603,371 S	11/2009	Boateng et al.
D625,705 S	10/2010	Ohori et al.
D632,668 S	2/2011	Brunner et al.
D635,959 S	4/2011	Hutchieson
D637,176 S	5/2011	Brunner et al.
D652,406 S	1/2012	Lee et al.
D657,344 S	4/2012	Brunner et al.
D657,345 S	4/2012	Brunner et al.
D657,776 S	4/2012	Lee et al.
D660,823 S	5/2012	Hardi et al.
D660,824 S	5/2012	Hardi et al.
D662,080 S	6/2012	Carr et al.
D663,716 S	7/2012	Hardi et al.
D664,117 S	7/2012	Tappeiner et al.
D671,914 S	12/2012	Lee et al.
D673,136 S	12/2012	Kelly et al.
D673,520 S	1/2013	Tan
D674,767 S	1/2013	Brunner et al.
D675,595 S	2/2013	Cho et al.
D677,648 S	3/2013	Lee et al.
D678,860 S	3/2013	Hagelin
D683,329 S	5/2013	Hagelin
D689,843 S	9/2013	Lee
D691,579 S	10/2013	Lee et al.
D691,984 S	10/2013	Wang
D693,791 S	11/2013	Troy
D696,226 S	12/2013	Brunner et al.
D696,228 S	12/2013	Miyake et al.
D699,702 S	2/2014	Chen
D706,240 S	6/2014	Szymanski et al.
D715,255 S	10/2014	Nunez et al.
D716,760 S	11/2014	Brunner et al.
D725,630 S	3/2015	Nakagawa
D731,457 S	6/2015	Brunner et al.
D732,000 S	6/2015	Brunner et al.
D732,503 S	6/2015	Brunner et al.
D733,090 S	* 6/2015	Petersen D14/205

D734,296 S	7/2015	Paterson et al.
D738,350 S	9/2015	Brunner et al.
D739,378 S	9/2015	Chung et al.
D742,357 S	11/2015	Chung et al.
D760,687 S	7/2016	Brunner et al.
D765,056 S	8/2016	Yang et al.
D767,531 S	9/2016	Szymanski
9,445,185 B2	9/2016	Brunner et al.
D786,824 S	5/2017	Hembrey
D791,103 S	7/2017	Brunner et al.
D791,733 S	7/2017	Brunner et al.
D796,474 S	9/2017	Treski et al.
D800,691 S	10/2017	Ando et al.
D809,478 S	2/2018	Arimoto et al.
D817,303 S	5/2018	Tragatschnig
10,178,463 B2	1/2019	Smiechowski
D843,345 S	3/2019	Brunner et al.
D856,303 S	8/2019	Ando et al.
D858,483 S	9/2019	Hu
D859,353 S	9/2019	Wagner
D867,327 S	11/2019	Brunner et al.
D868,731 S	12/2019	Jung
D877,716 S	3/2020	Hu
D879,066 S	3/2020	Chen
D879,742 S	3/2020	Hu
D881,157 S	4/2020	Chen
D883,949 S	5/2020	Hu
D889,432 S	7/2020	Brunner et al.
D899,401 S	10/2020	Smiechowski et al.
D904,339 S	* 12/2020	Wang D14/205
D927,453 S	* 8/2021	Smiechowski D14/205
D949,823 S	* 4/2022	Smiechowski D14/205
D950,517 S	* 5/2022	Brunner D14/205
2013/0087404 A1	4/2013	Peskar et al.
2013/0343591 A1	12/2013	Brunner et al.
2014/0023222 A1*	1/2014	Ito H04R 5/0335 381/379
2014/0211976 A1*	7/2014	Brunner H04R 1/1066 381/374
2015/0373467 A1*	12/2015	Gelter H04R 29/00 381/56
2016/0212519 A1	7/2016	Henderson et al.
2021/0084401 A1*	3/2021	Smiechowski H04R 1/1041

FOREIGN PATENT DOCUMENTS

EM	007232707-0001	11/2019
EM	008630032-0001	* 7/2021
GB	9007232707-0001	* 11/2019
TW	206857-0001	* 5/2019

* cited by examiner

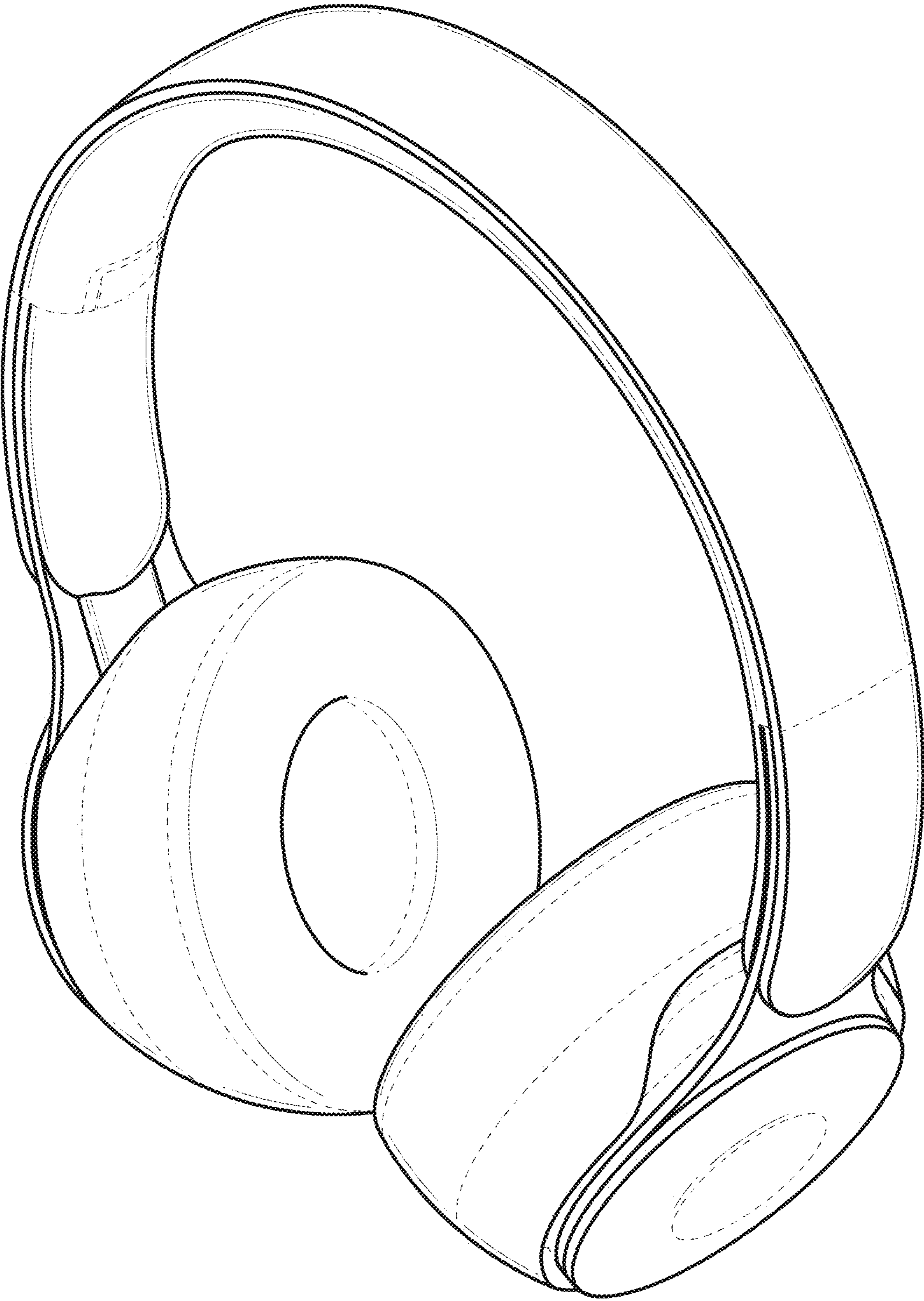


FIG. 1

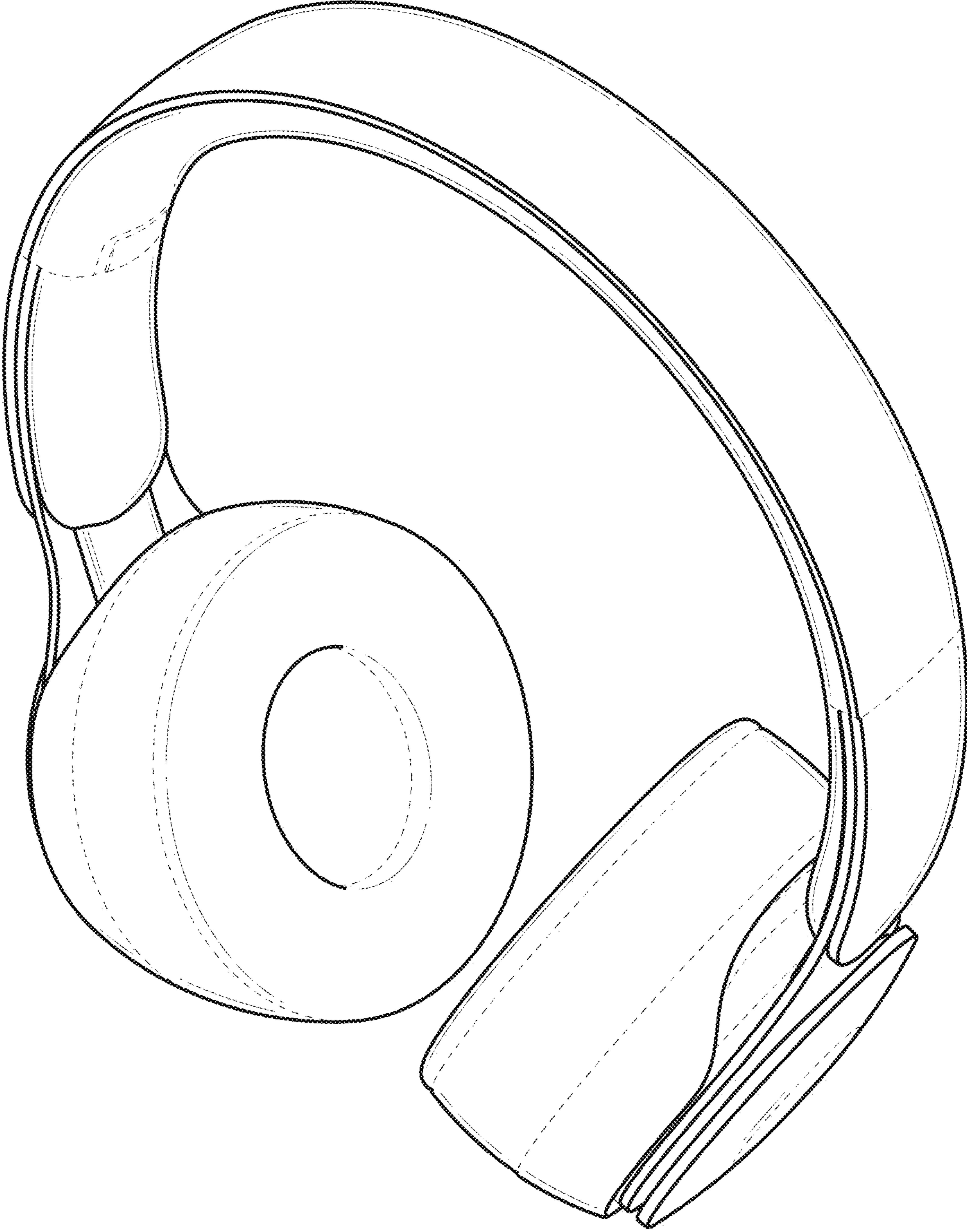


FIG. 2



FIG. 3

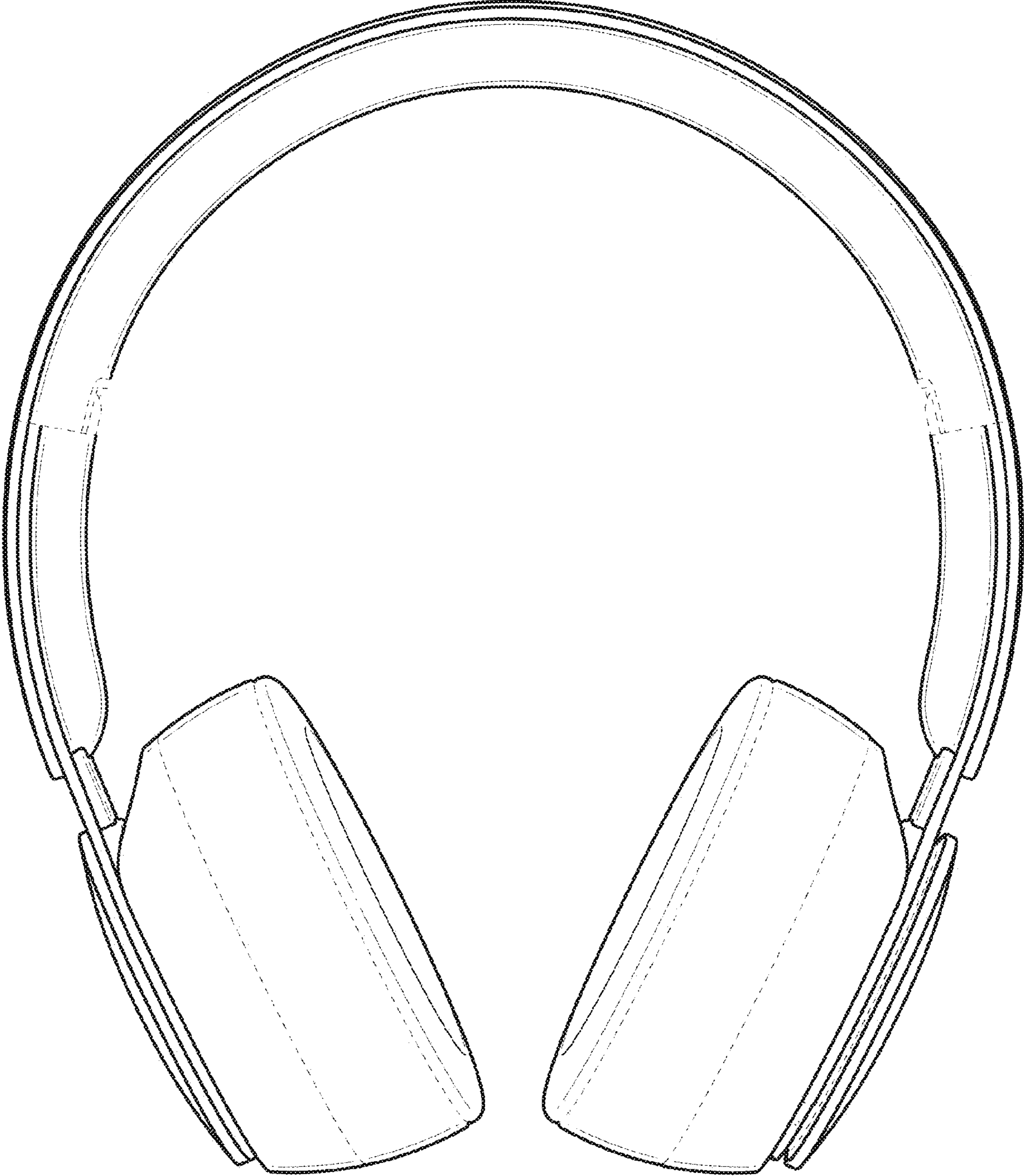


FIG. 4

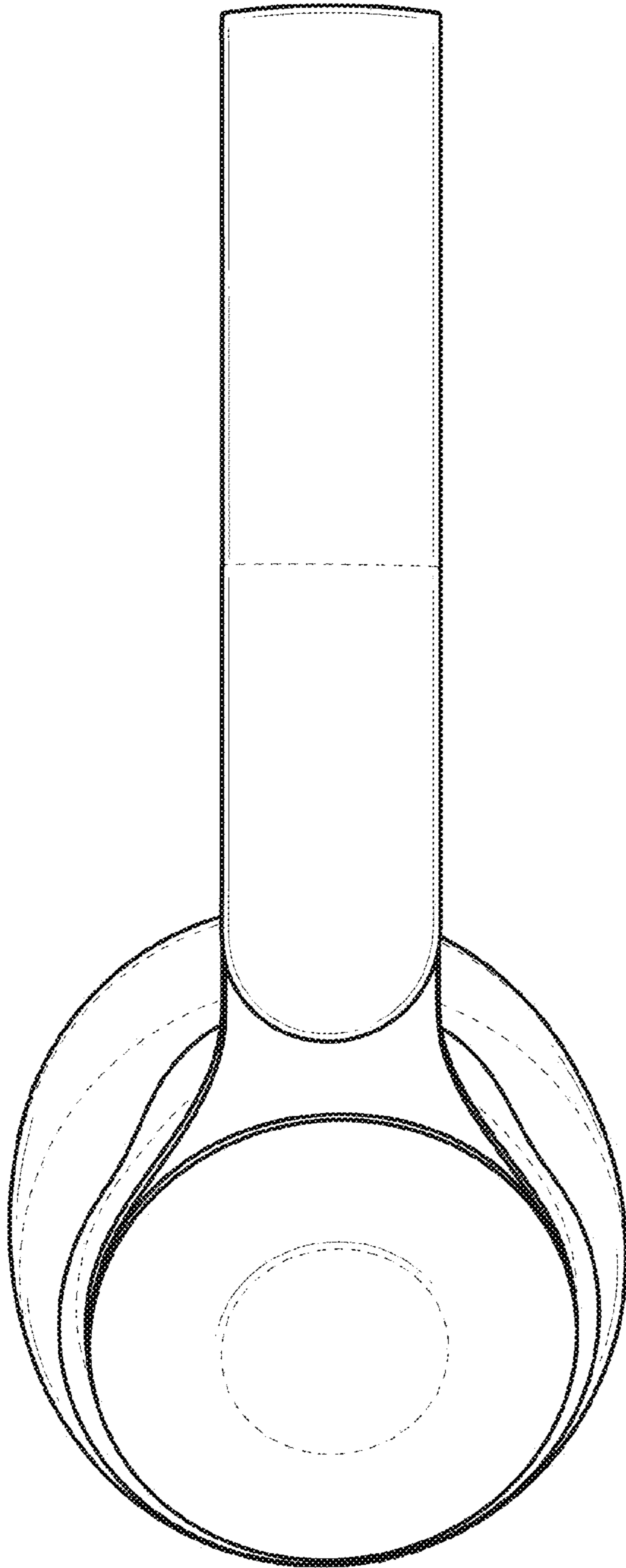


FIG. 5

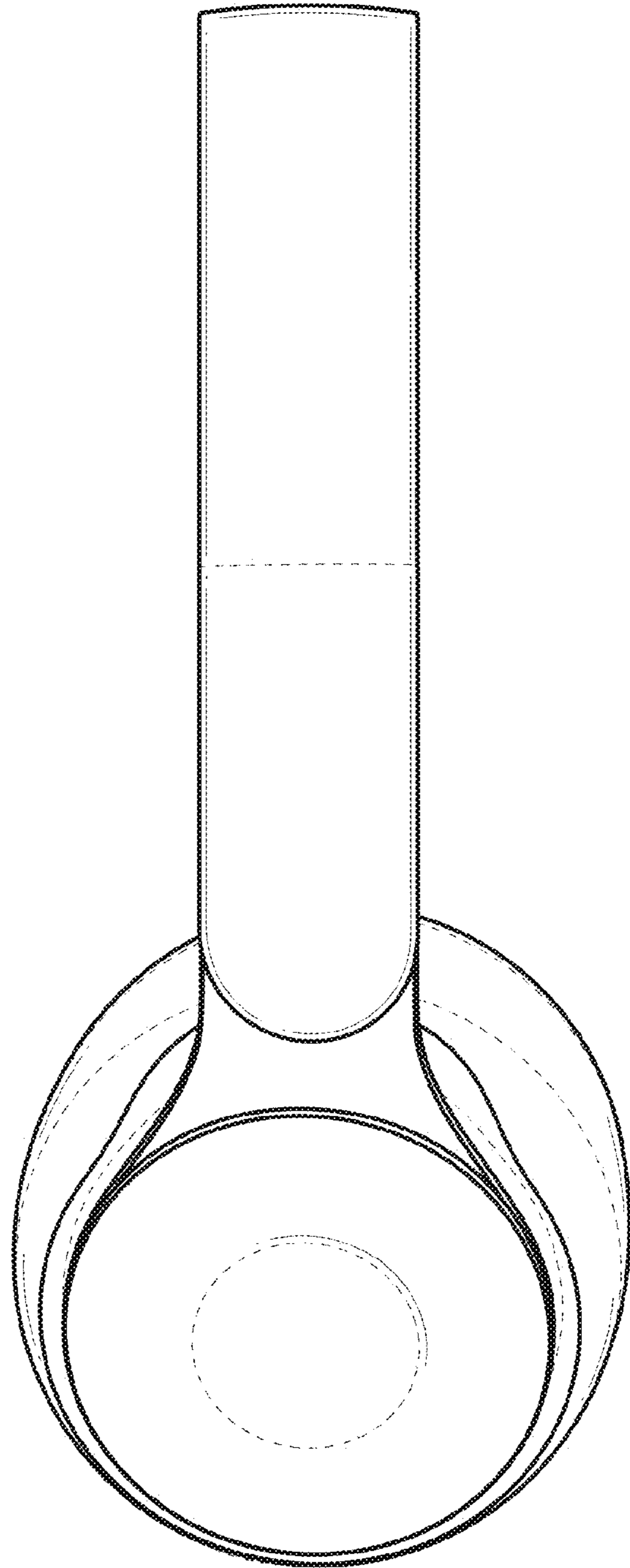


FIG. 6

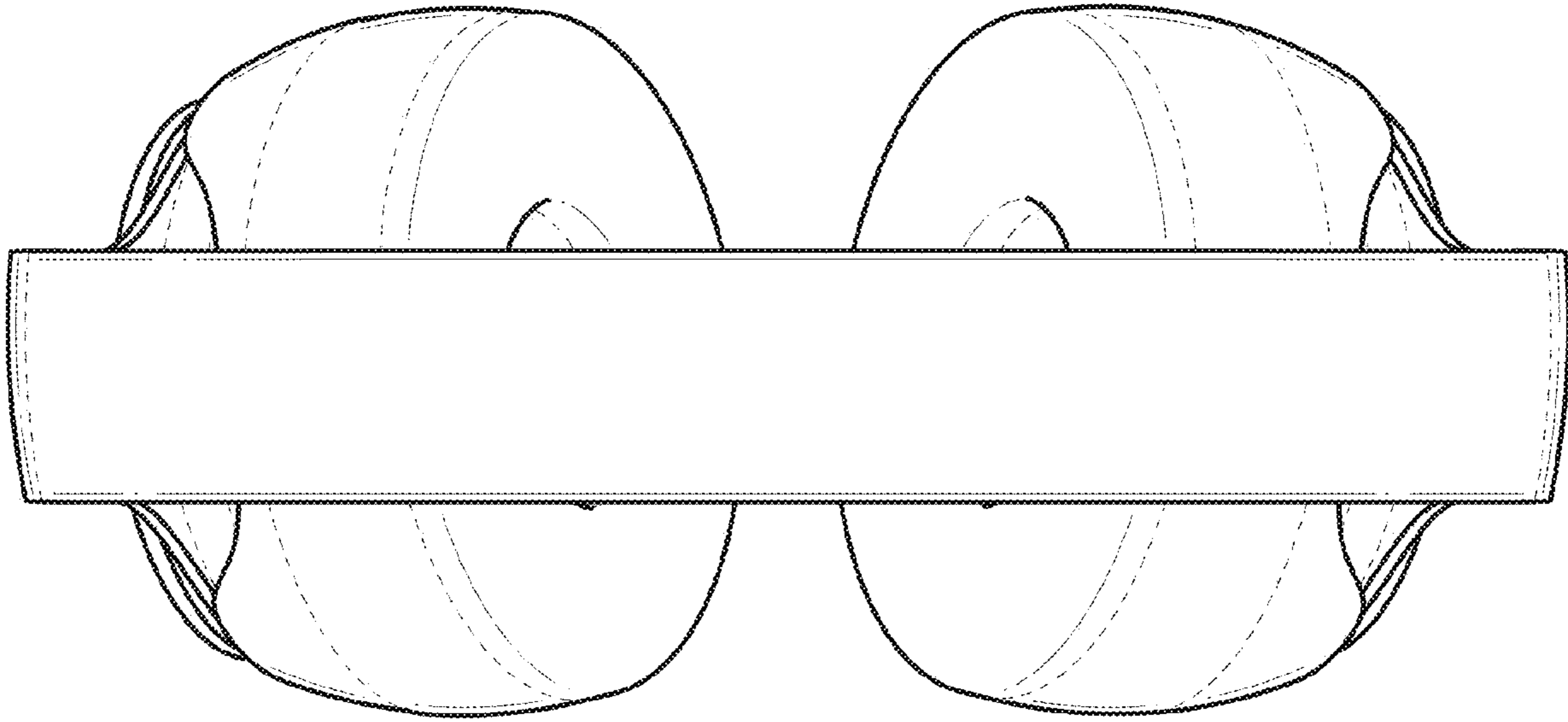


FIG. 7

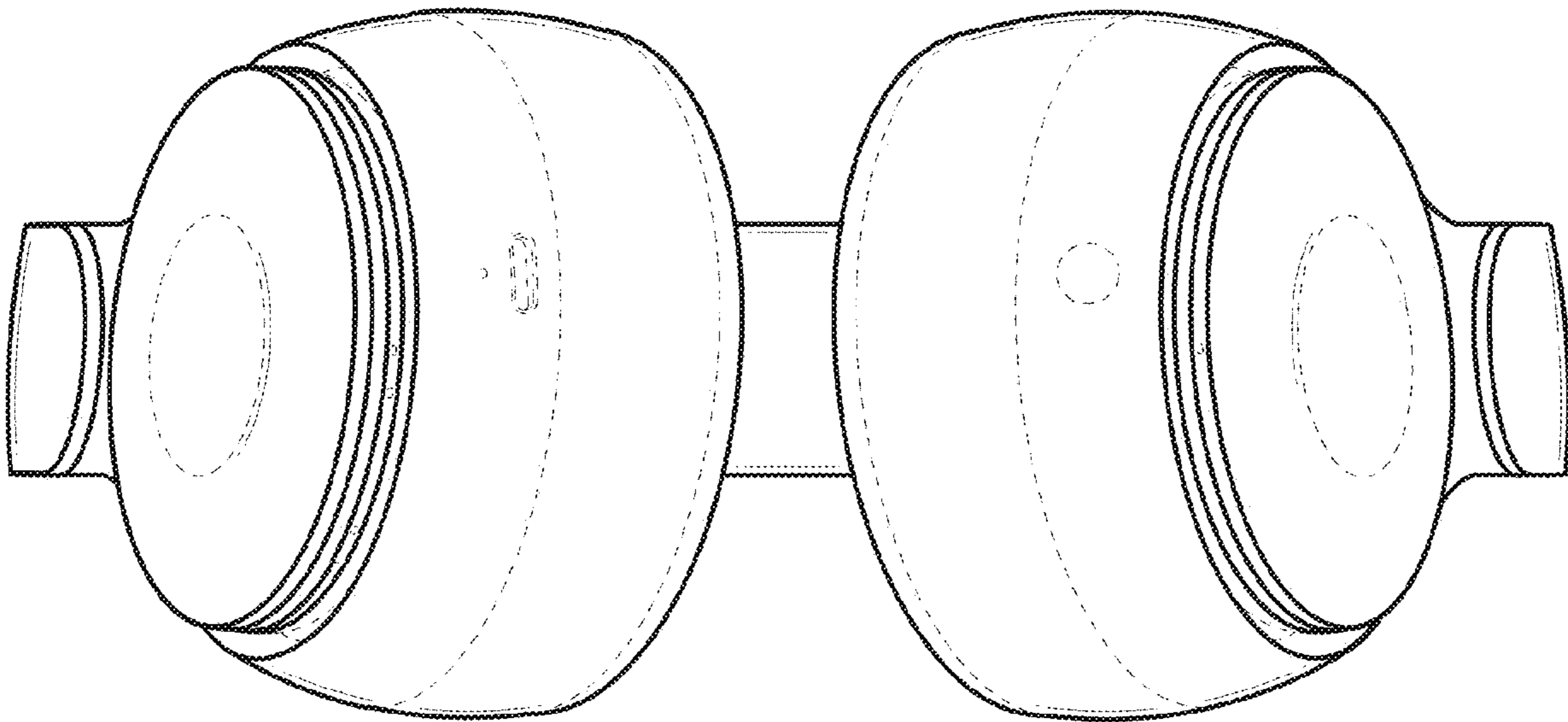


FIG. 8