



US00D975049S

(12) **United States Design Patent**
Kang et al.

(10) **Patent No.:** **US D975,049 S**
(45) **Date of Patent:** **** Jan. 10, 2023**

(54) **SPEAKER**

(71) Applicant: **LG ELECTRONICS INC.**, Seoul (KR)
(72) Inventors: **Seokkyu Kang**, Seoul (KR); **Hana Kim**, Seoul (KR); **Gangho Woo**, Seoul (KR)
(73) Assignee: **LG ELECTRONICS INC.**, Seoul (KR)
(**) Term: **15 Years**

(21) Appl. No.: **35/512,789**

(22) Filed: **Apr. 27, 2021**

(80) **Hague Agreement Data**

Int. Filing Date: **Apr. 27, 2021**
Int. Reg. No.: **DM/214092**
Int. Reg. Date: **Apr. 27, 2021**
Int. Reg. Pub. Date: **Oct. 29, 2021**

(30) **Foreign Application Priority Data**

Nov. 30, 2020 (KR) 30-2020-0058525

(51) **LOC (14) Cl.** **14-01**

(52) **U.S. Cl.**
USPC **D14/204**

(58) **Field of Classification Search**
USPC D14/170–172, 188, 203.1, 203.3, 203.6, D14/204, 214, 216, 348
CPC ... H04R 1/02; H04R 5/02; H04R 7/00; H04R 7/02; H04R 9/06; H04R 2400/00
See application file for complete search history.

(56) **References Cited**

U.S. PATENT DOCUMENTS

D376,363	S	*	12/1996	Oberbillig	D14/214
D381,989	S	*	8/1997	Chang	D14/214
D432,115	S	*	10/2000	Juszkiewicz	D14/204
D640,668	S	*	6/2011	Chern	D14/214
D677,651	S	*	3/2013	Kim	D14/204
D684,557	S	*	6/2013	Warden	D14/204
D756,328	S	*	5/2016	Warden	D14/204
D769,215	S	*	10/2016	Andrews	D14/204
D780,159	S	*	2/2017	Andrews	D14/210
D832,235	S	*	10/2018	Noedinger	D14/210
D856,301	S	*	8/2019	Lum	D14/204

* cited by examiner

Primary Examiner — Janice Patyk

(74) *Attorney, Agent, or Firm* — Birch, Stewart, Kolasch & Birch, LLP

(57) **CLAIM**

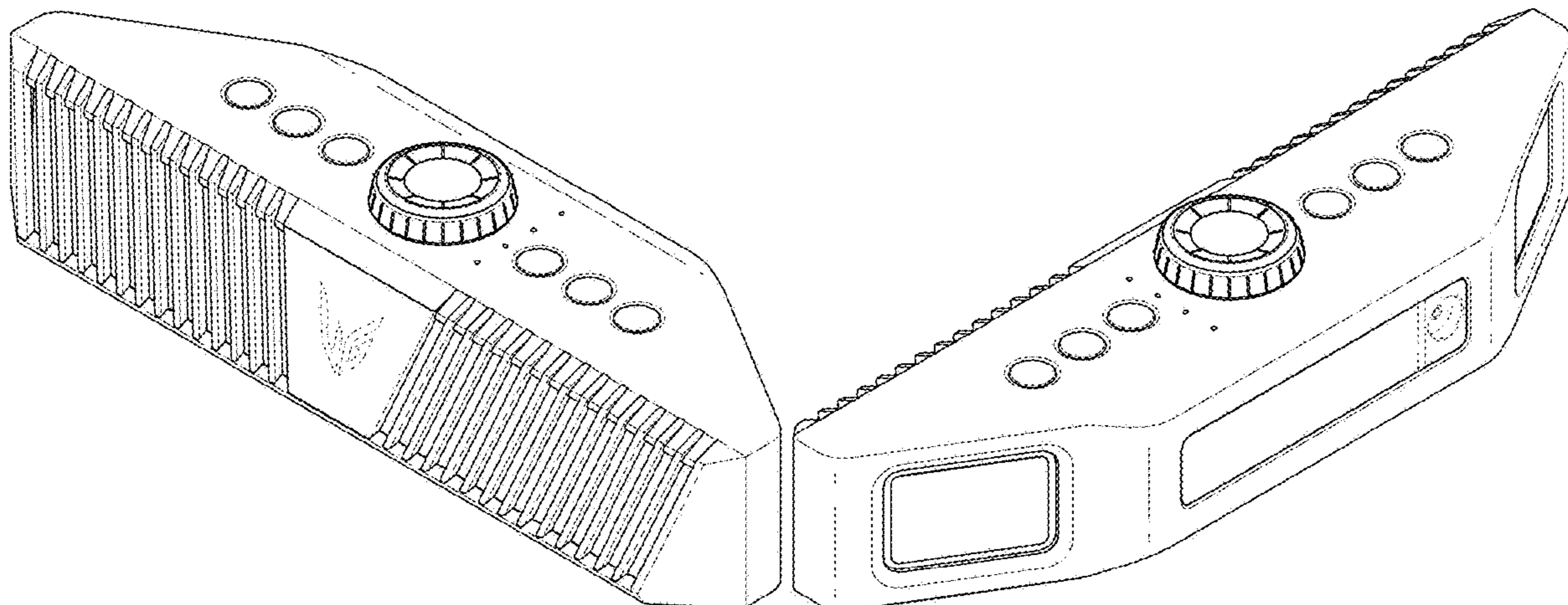
The ornamental design for a speaker, as shown and described.

DESCRIPTION

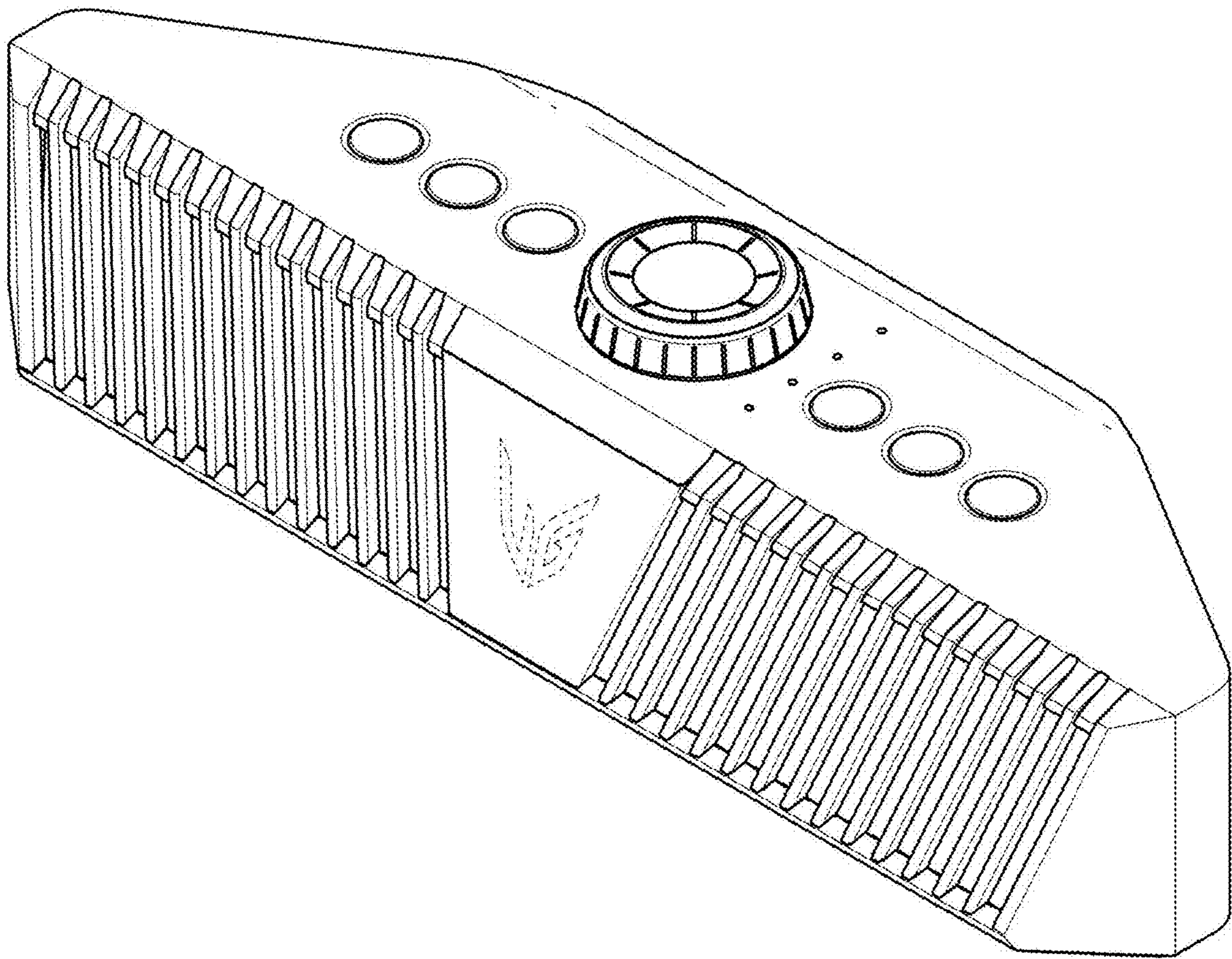
1. Speaker
- 1.1 : Perspective
- 1.2 : Rear perspective view
- 1.3 : Front
- 1.4 : Back
- 1.5 : Left
- 1.6 : Right
- 1.7 : Top
- 1.8 : Bottom

The broken lines indicate portions of the article that form no part of the claimed design.

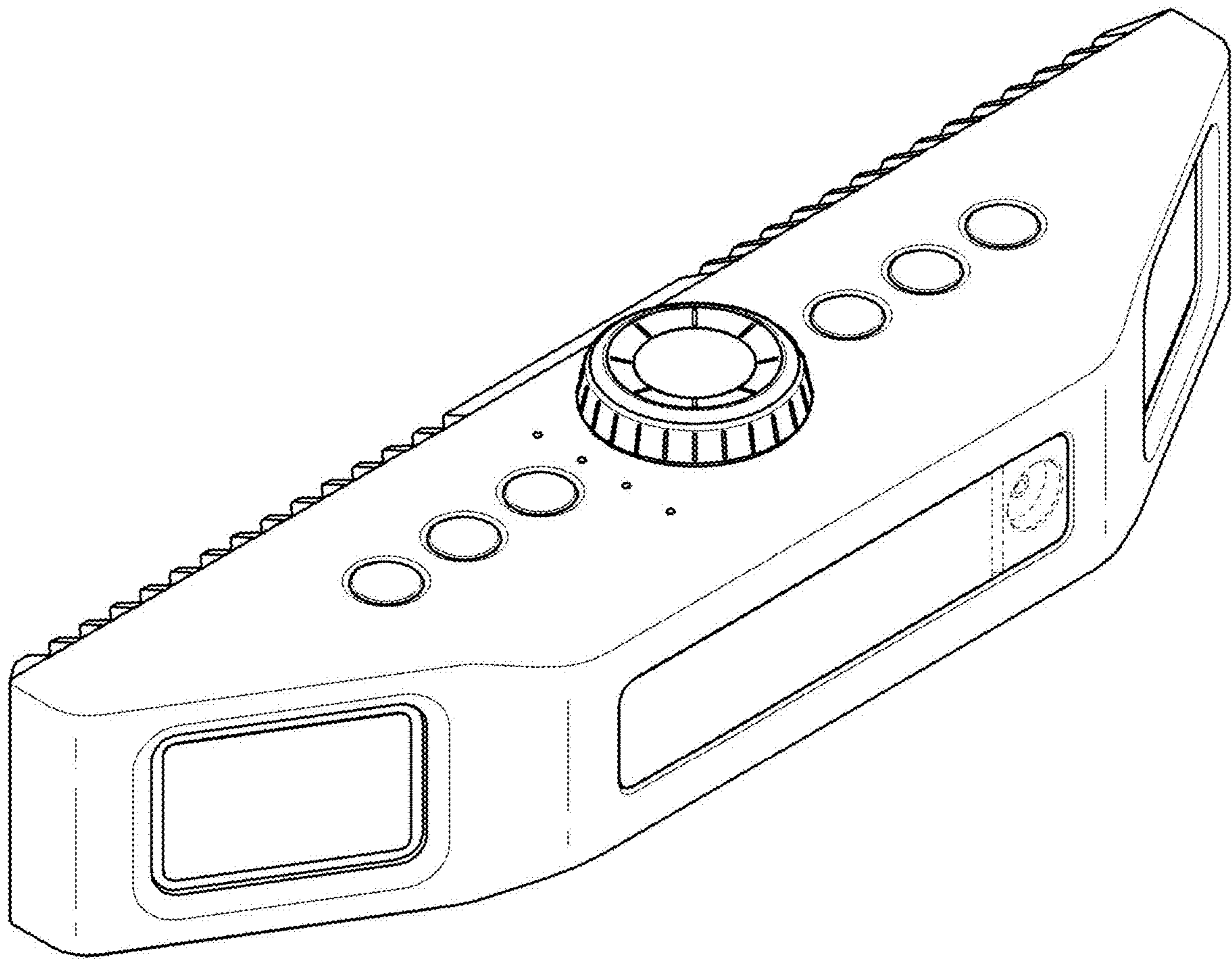
1 Claim, 8 Drawing Sheets



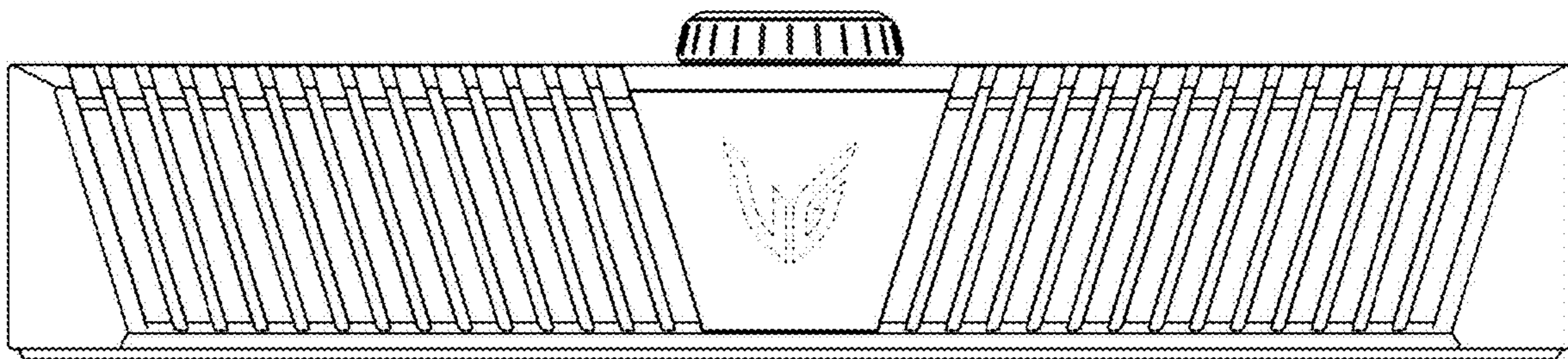
1.1



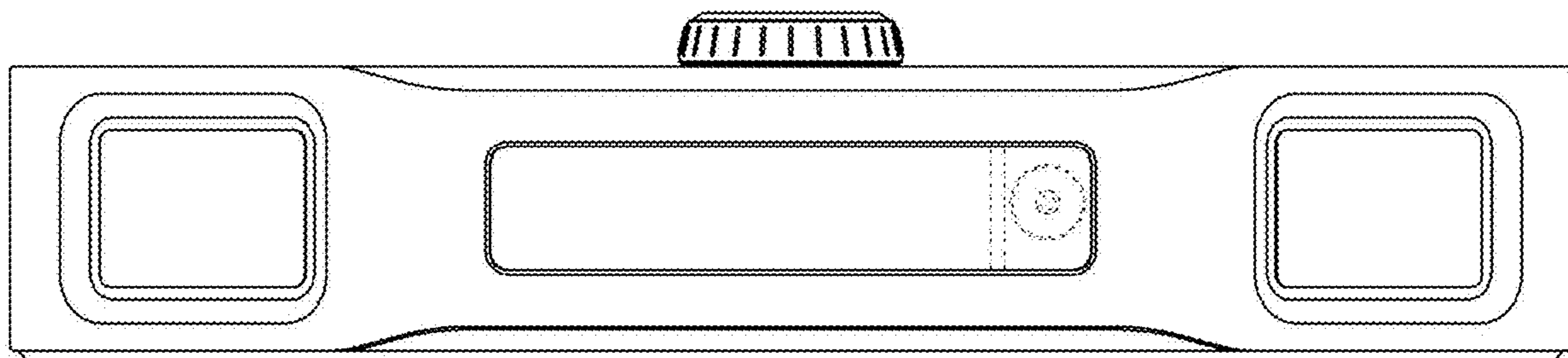
1.2



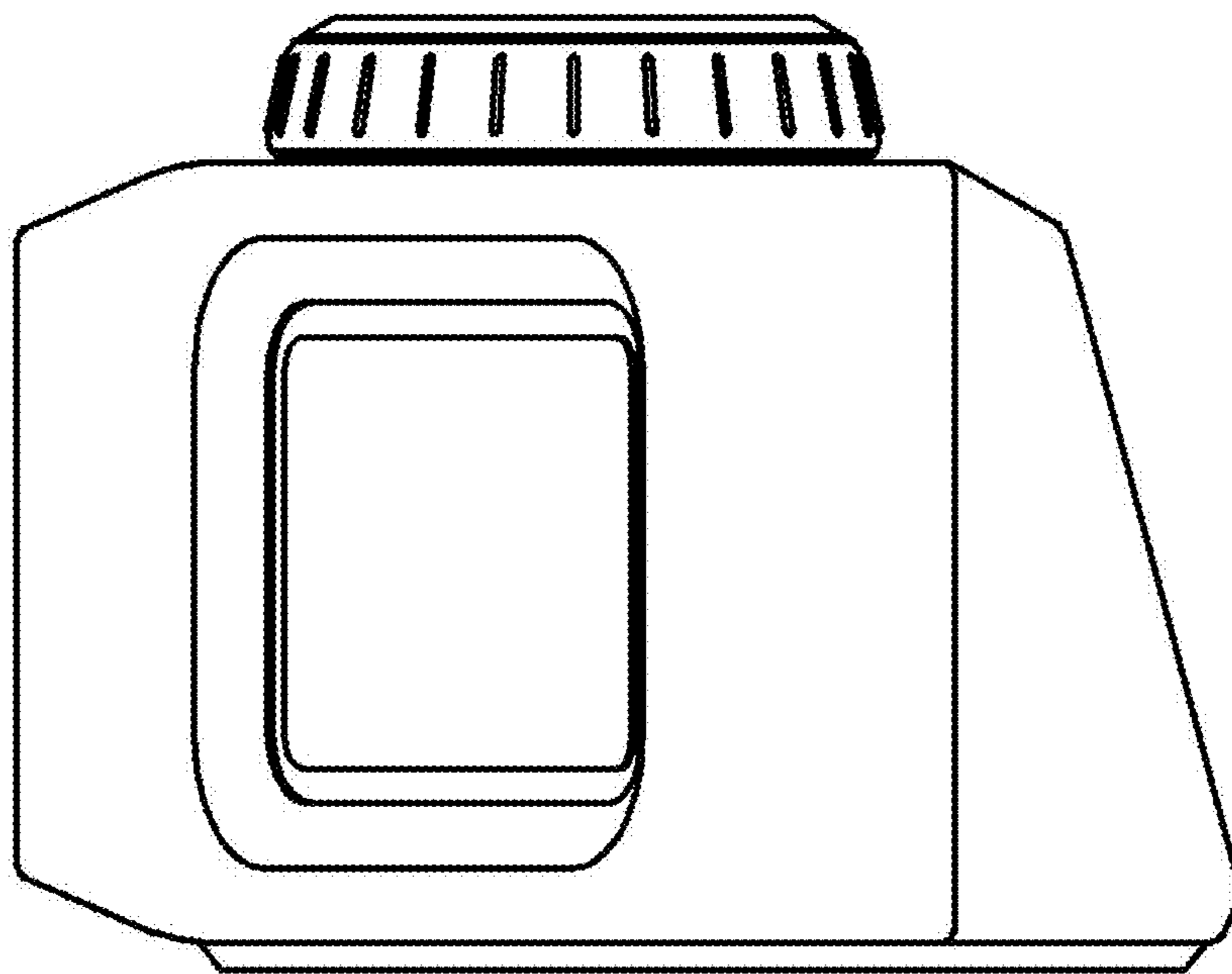
1.3



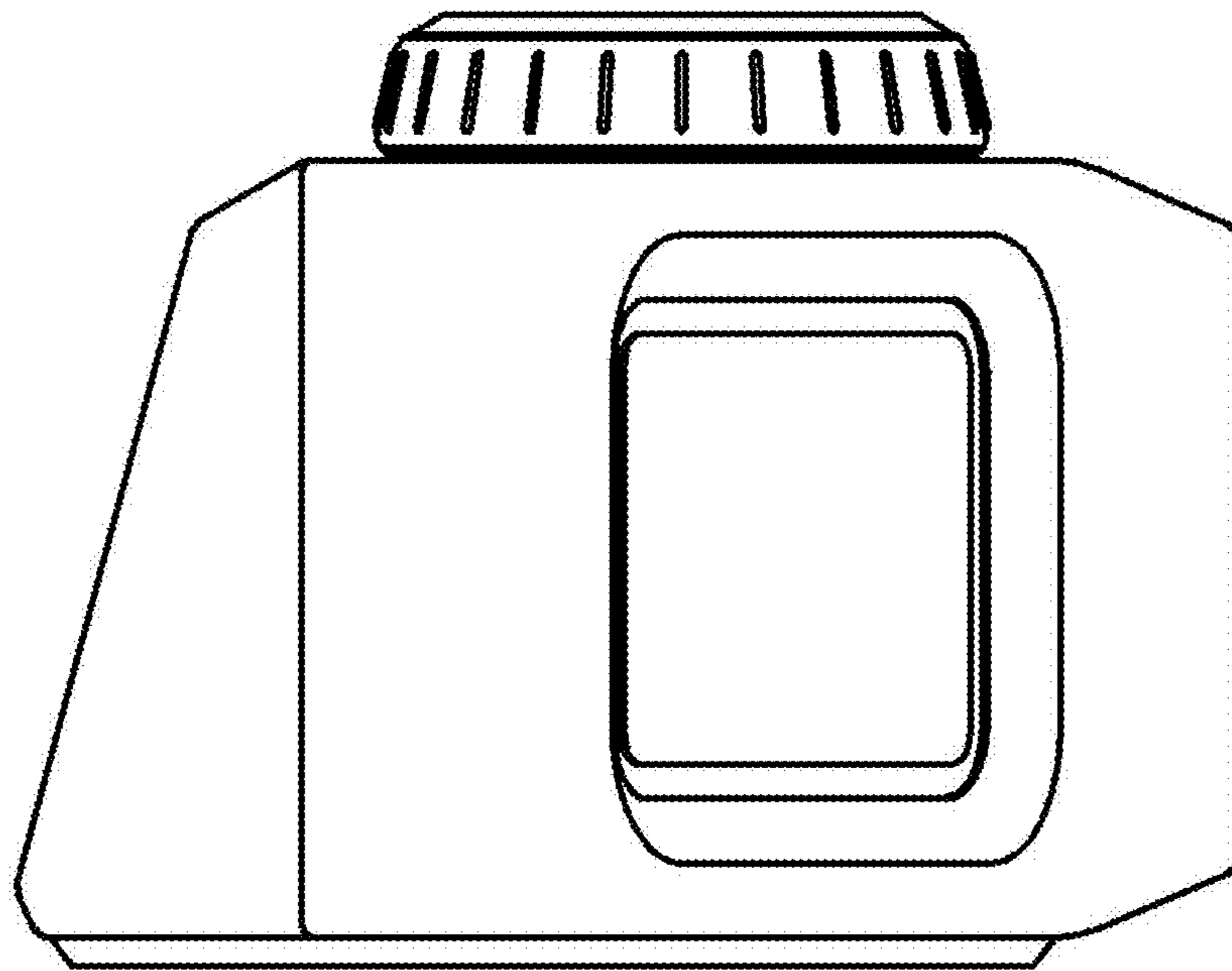
1.4



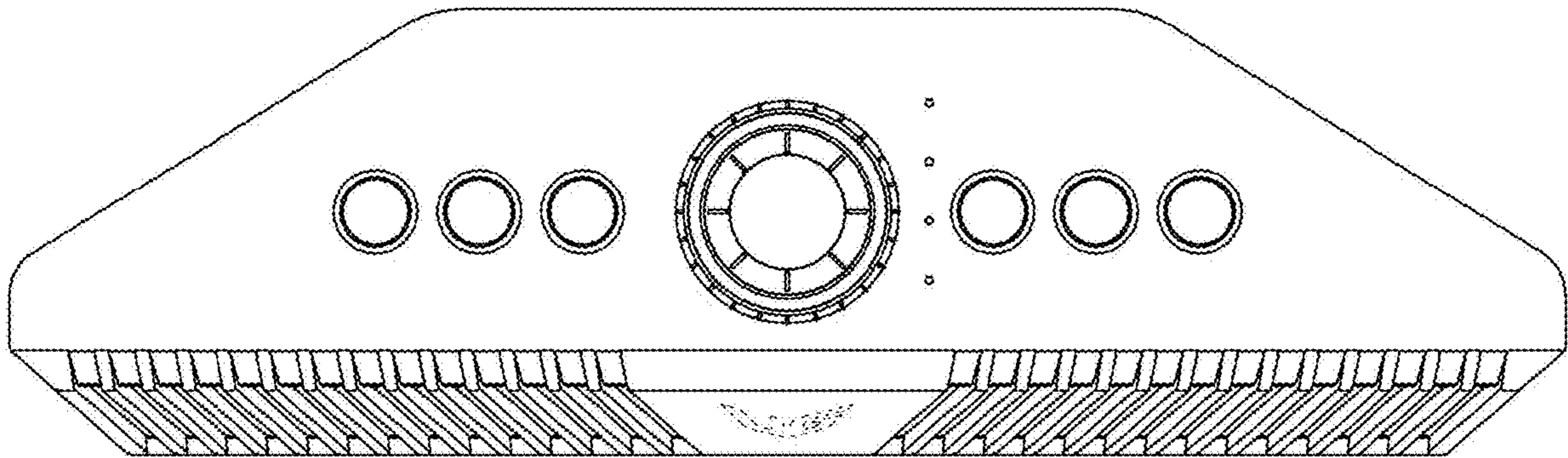
1.5



1.6



1.7



1.8

