



US00D975048S

(12) **United States Design Patent** (10) **Patent No.:** **US D975,048 S**  
**Andrews et al.** (45) **Date of Patent:** **\*\* Jan. 10, 2023**

(54) **LOUDSPEAKER**

(56) **References Cited**

(71) Applicant: **Funktion One Research Limited**,  
Dorking (GB)

U.S. PATENT DOCUMENTS

(72) Inventors: **Anthony John Andrews**, Dorking  
(GB); **Daniel Cooklin**, Dorking (GB);  
**James Hipperson**, Dorking (GB);  
**Michael Igglesden**, Dorking (GB);  
**John Newsham**, Dorking (GB)

D769,215 S \* 10/2016 Andrews ..... D14/204  
D780,158 S \* 2/2017 Andrews ..... D14/210  
D780,159 S \* 2/2017 Andrews ..... D14/210  
10,197,083 B2 \* 2/2019 Lippitt ..... H04R 1/026  
2021/0185432 A1 \* 6/2021 Pepin ..... H04R 1/2807

(73) Assignee: **Funktion One Research Limited**,  
Dorking (GB)

FOREIGN PATENT DOCUMENTS

(\*\*) Term: **15 Years**

CN 202030374992 \* 12/2020

(21) Appl. No.: **29/744,808**

\* cited by examiner

(22) Filed: **Jul. 31, 2020**

*Primary Examiner* — Khawaja Anwar  
*Assistant Examiner* — Megan Tiana Rakos  
(74) *Attorney, Agent, or Firm* — Lee & Hayes, P.C.

(30) **Foreign Application Priority Data**

(57) **CLAIM**

Jan. 31, 2020 (EM) ..... 007575618-0002

(51) **LOC (14) Cl.** ..... **14-01**

(52) **U.S. Cl.**  
USPC ..... **D14/204**

(58) **Field of Classification Search**  
USPC ... D14/172, 210, 204, 209.1, 213, 215, 221,  
D14/222, 224, 299

CPC ..... B60R 11/0217; H04R 1/26; H04R 1/345;  
H04R 1/025; F16B 21/08; F16B 19/02

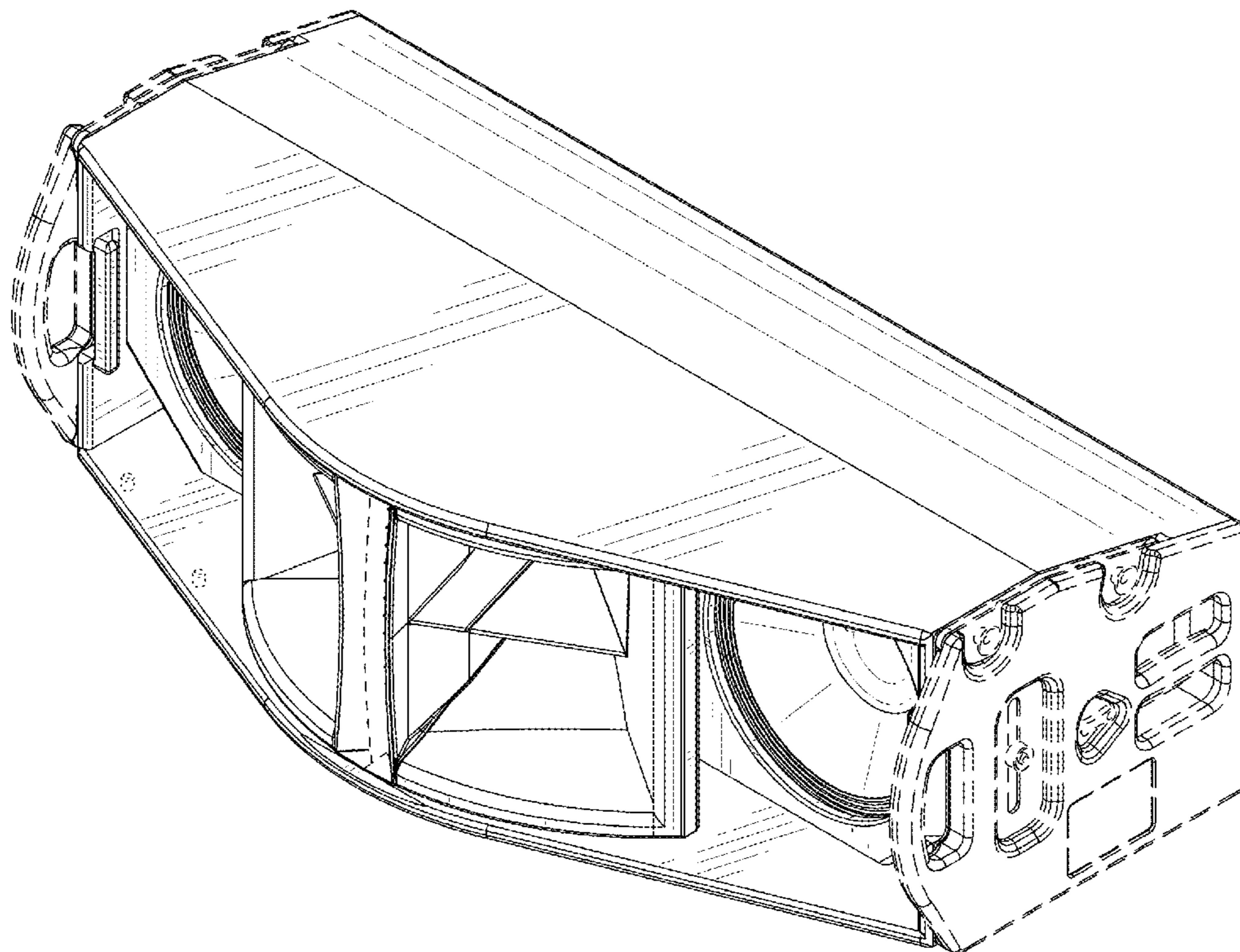
See application file for complete search history.

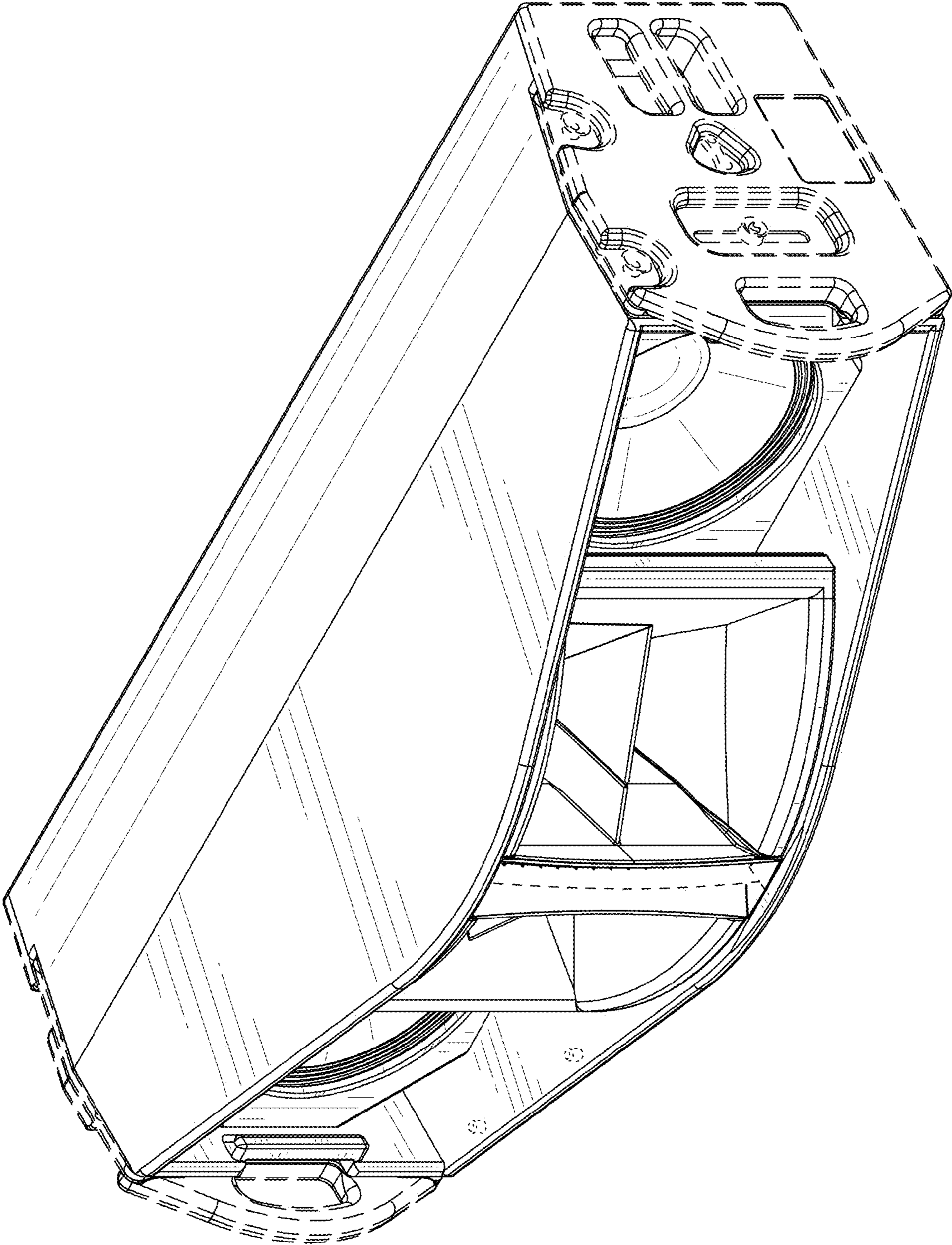
The ornamental design for a loudspeaker, as shown and described.

**DESCRIPTION**

FIG. 1 is a top, front, right-side perspective view of a loudspeaker;  
FIG. 2 is a front view thereof;  
FIG. 3 is a back view thereof;  
FIG. 4 is a left-side view thereof;  
FIG. 5 is a right-side view thereof;  
FIG. 6 is a top view thereof; and,  
FIG. 7 is a bottom view thereof.  
The dashed broken lines depict portions of the loudspeaker that form no part of the claimed design.

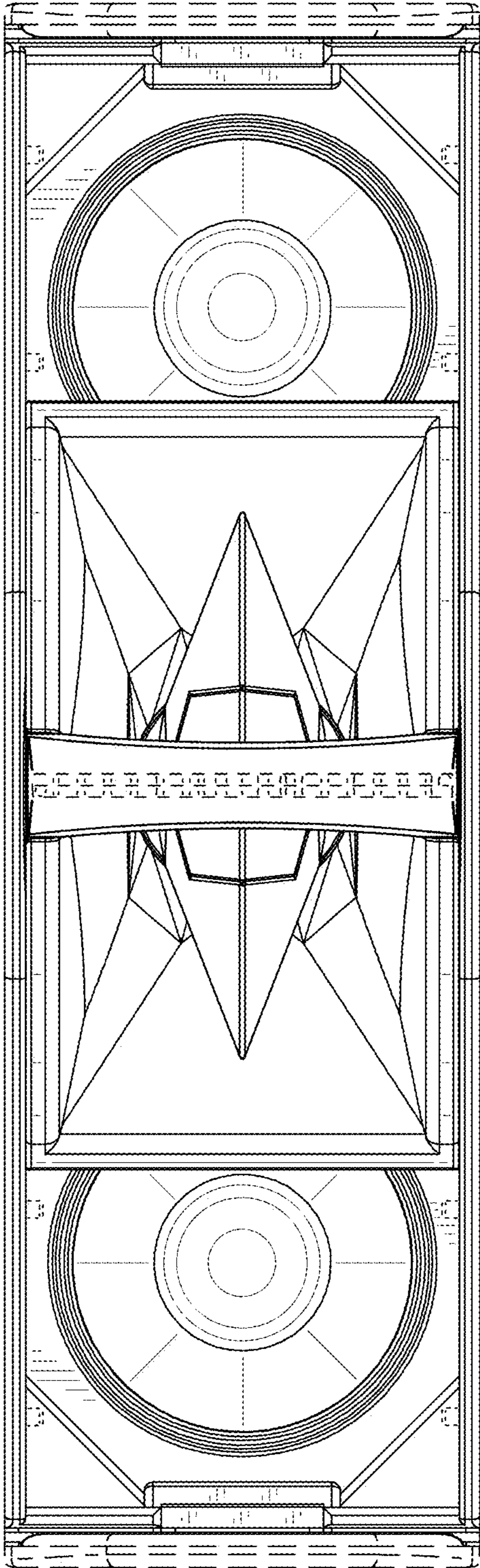
**1 Claim, 7 Drawing Sheets**



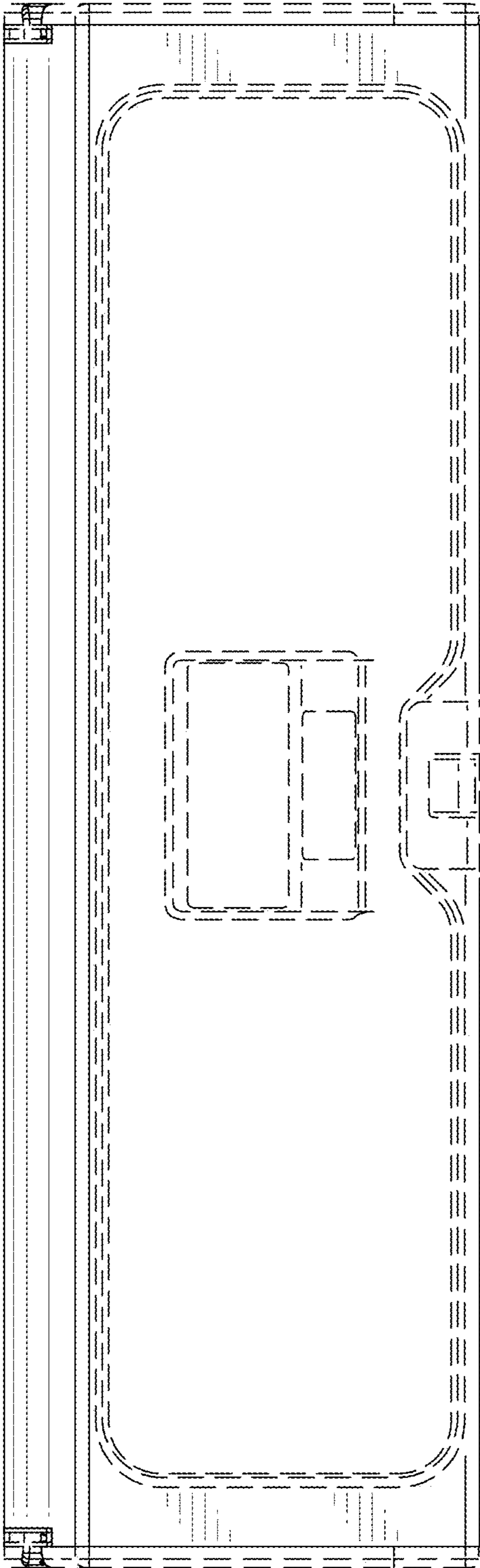


**FIG. 1**

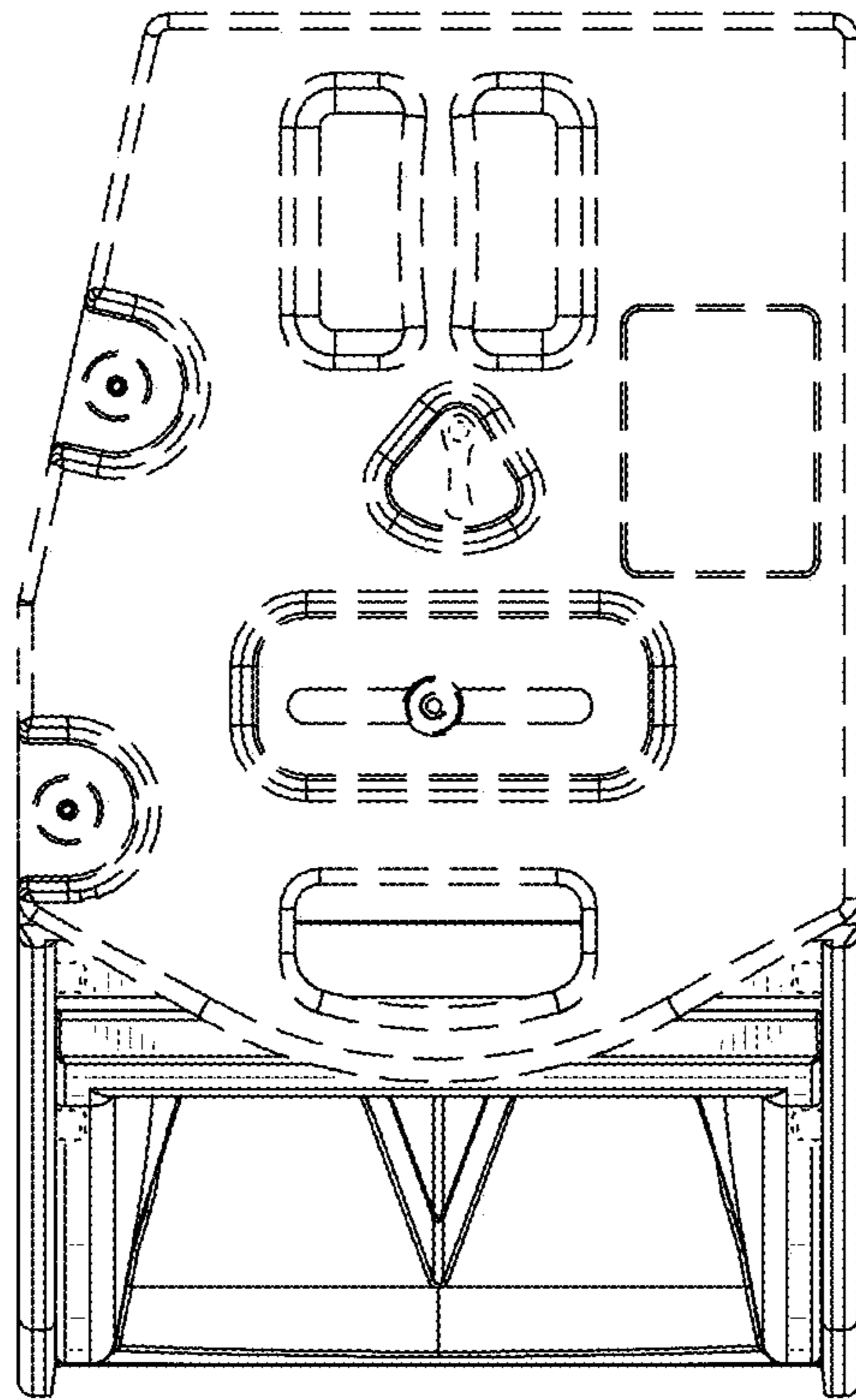




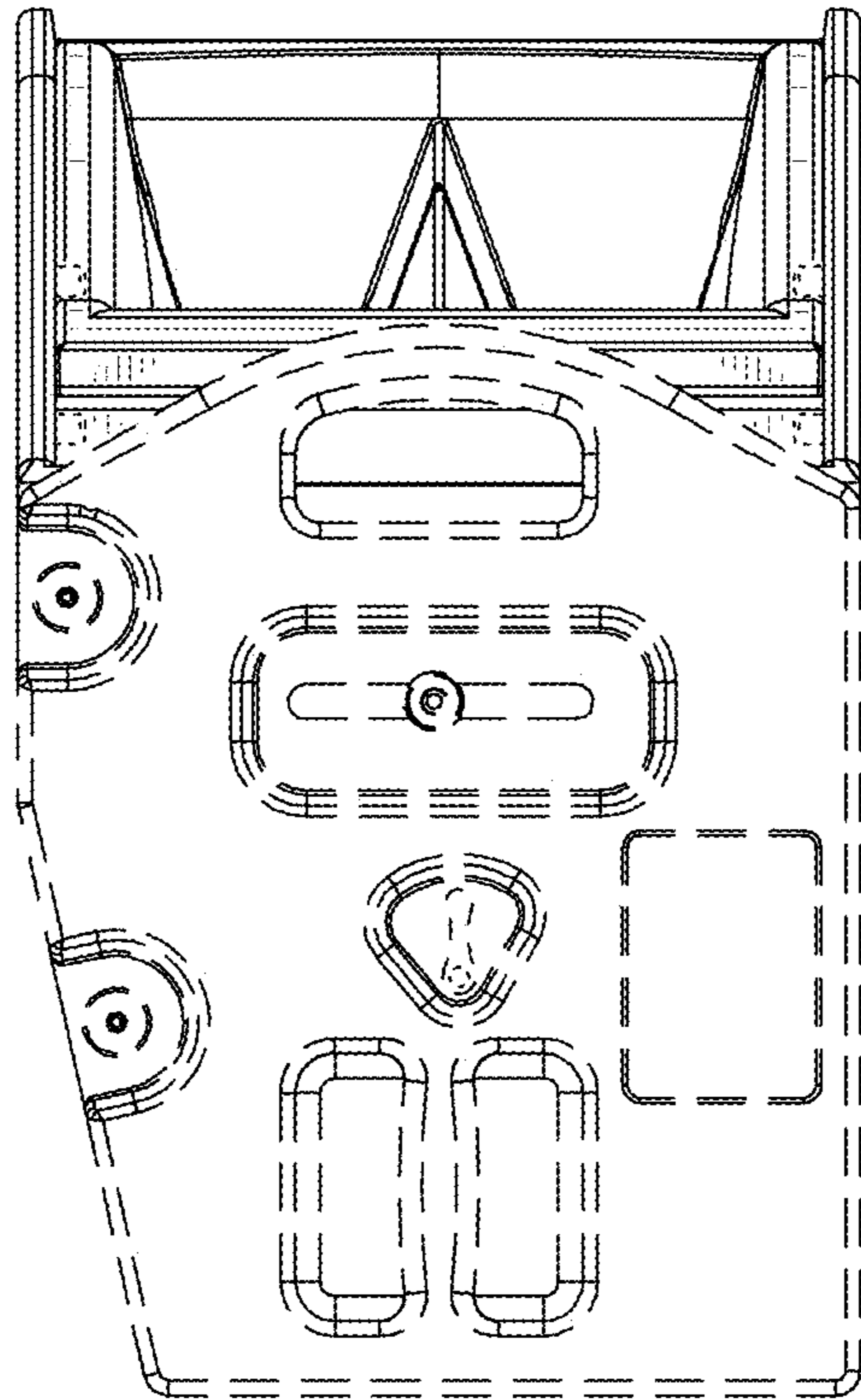
**FIG. 2**



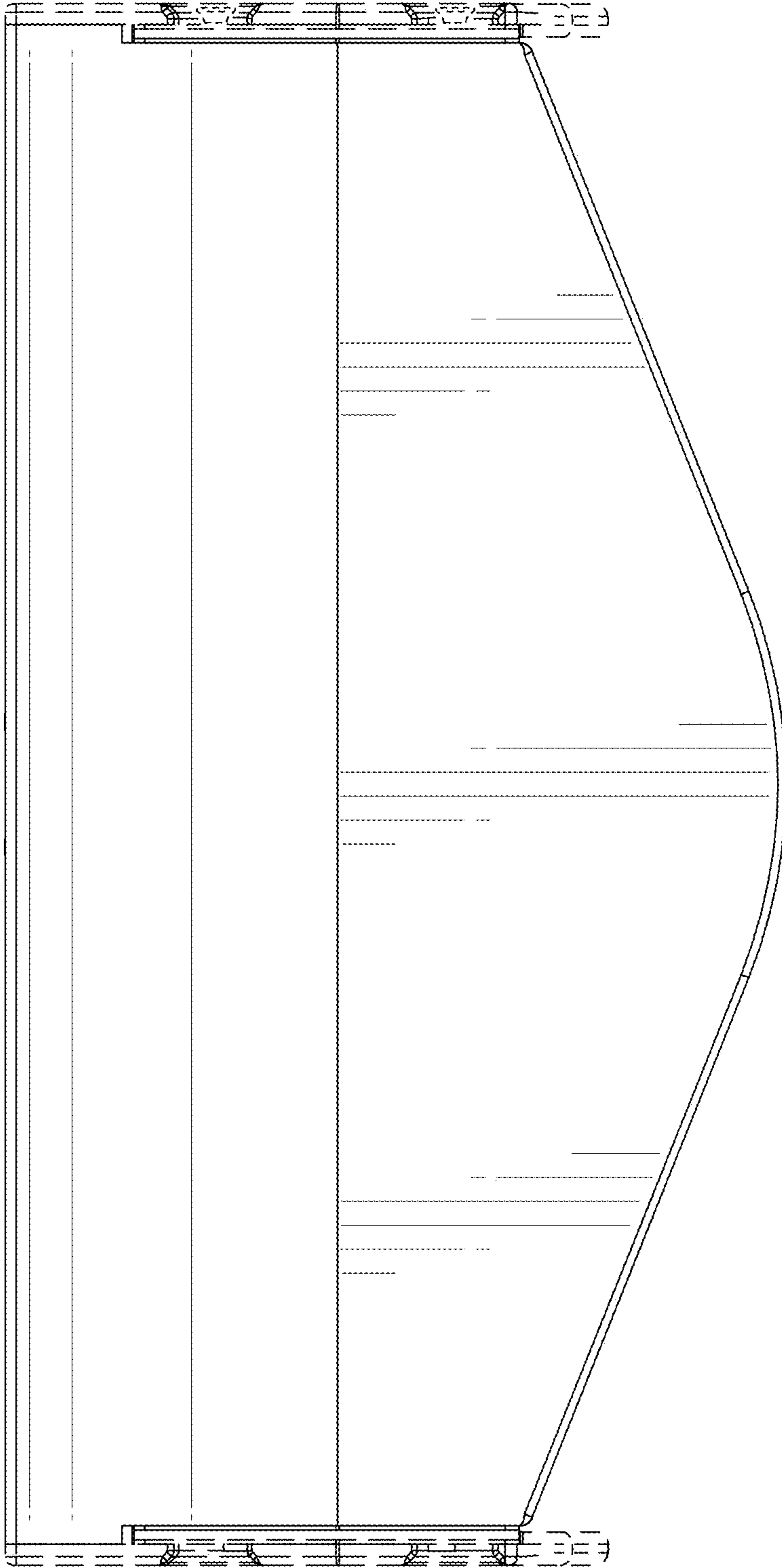
**FIG. 3**



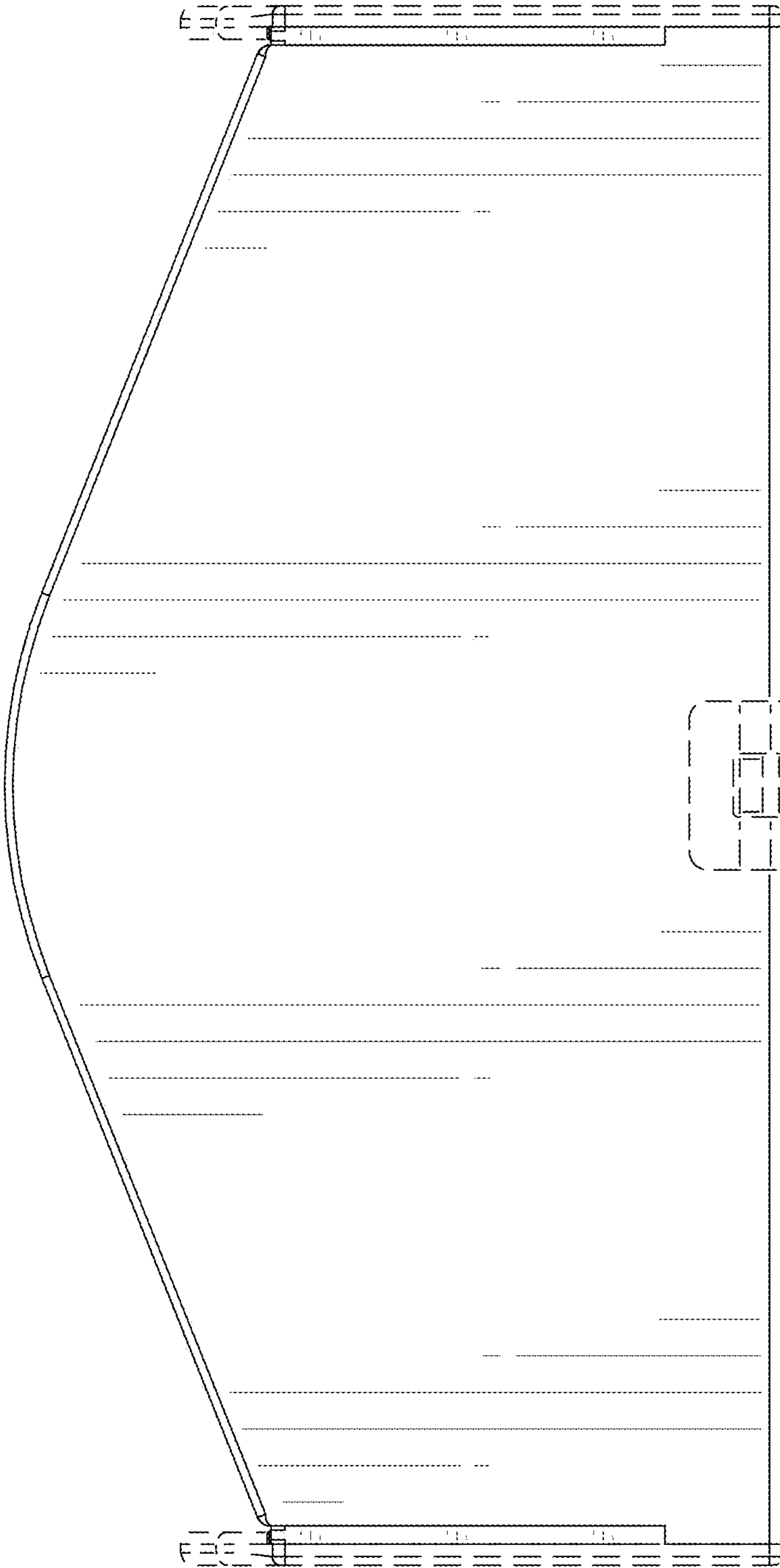
**FIG. 4**



**FIG. 5**



**FIG. 6**



**FIG. 7**