



US00D975047S

(12) **United States Design Patent**  
**Jung et al.**

(10) **Patent No.:** **US D975,047 S**  
(45) **Date of Patent:** **\*\* Jan. 10, 2023**

(54) **SPEAKER**  
(71) Applicant: **LG ELECTRONICS INC.**, Seoul (KR)  
(72) Inventors: **Dana Jung**, Seoul (KR); **Kyongtae Han**, Seoul (KR); **Kyoungju Ryu**, Seoul (KR); **Arim Kwon**, Seoul (KR)  
(73) Assignee: **LG ELECTRONICS INC.**, Seoul (KR)

D763,819 S \* 8/2016 Silvera ..... D14/204  
D791,740 S \* 7/2017 Fuller ..... D14/204  
D792,374 S \* 7/2017 Kim ..... D14/204  
D833,414 S \* 11/2018 Brennan ..... D14/204  
D886,786 S \* 6/2020 Chen ..... D14/204  
D909,332 S \* 2/2021 Sretovic ..... D14/204  
D962,197 S \* 8/2022 Puckett ..... D14/204

\* cited by examiner

*Primary Examiner* — Janice Patyk

(74) *Attorney, Agent, or Firm* — Birch, Stewart, Kolasch & Birch, LLP

(\*\*) Term: **15 Years**  
(21) Appl. No.: **29/727,714**  
(22) Filed: **Mar. 12, 2020**

(57) **CLAIM**

We claim the ornamental design for a speaker, as shown and described.

(30) **Foreign Application Priority Data**

Sep. 26, 2019 (KR) ..... 30-2019-0046344

(51) **LOC (14) Cl.** ..... **14-01**

(52) **U.S. Cl.**  
USPC ..... **D14/204**

(58) **Field of Classification Search**  
USPC ..... D14/170–172, 188, 203.1, 203.3, 203.6, D14/204, 214, 216, 348  
CPC . H04R 1/02; H04R 1/023; H04R 5/02; H04R 7/00; H04R 7/02; H04R 9/06; H04R 2400/00  
See application file for complete search history.

**DESCRIPTION**

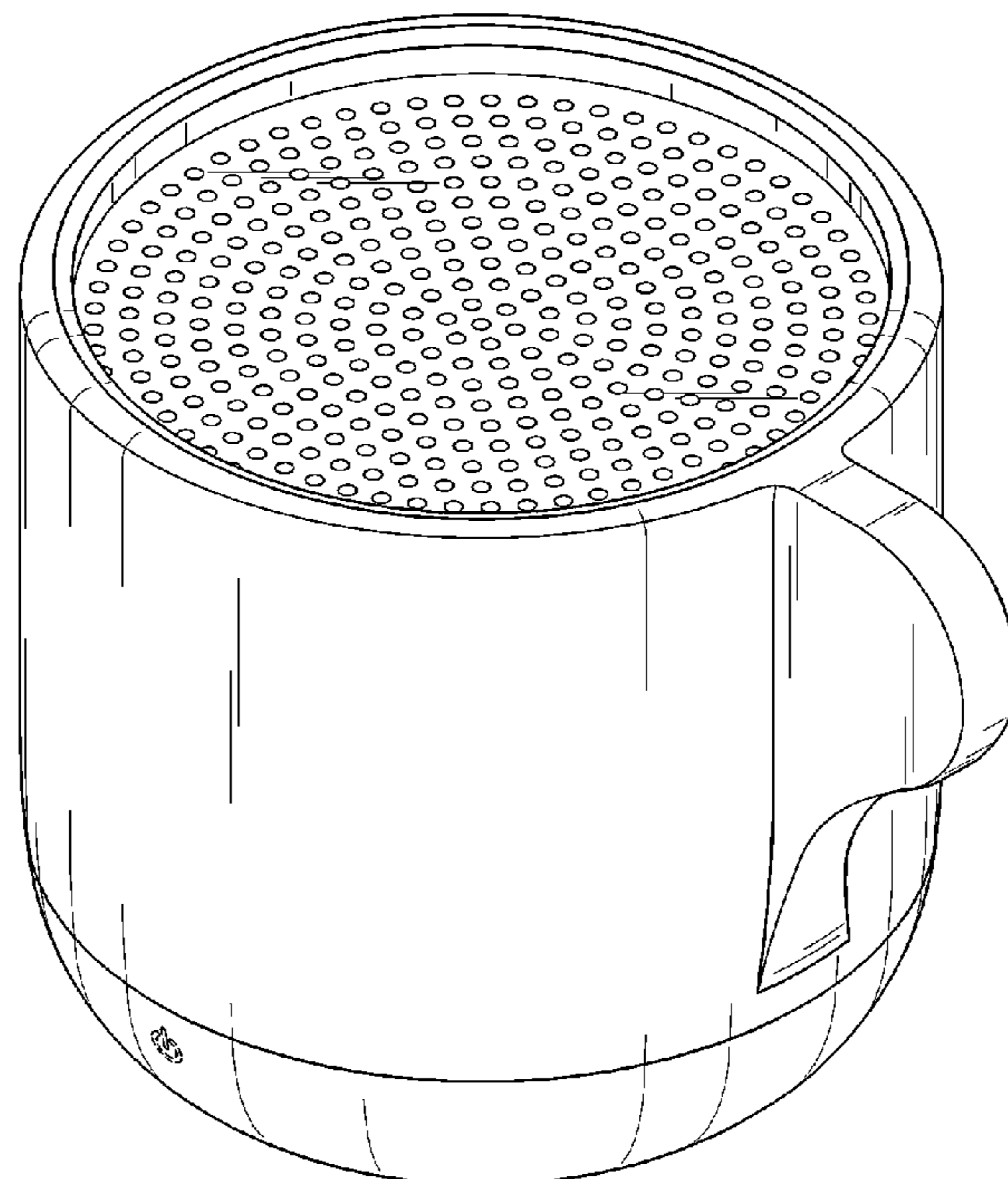
FIG. 1 is a perspective view of a speaker, showing our new design;  
FIG. 2 is a front elevation view thereof;  
FIG. 3 is a rear elevation view thereof;  
FIG. 4 is a left-side elevation view thereof;  
FIG. 5 is a right-side elevation view thereof;  
FIG. 6 is a top plan view thereof;  
FIG. 7 is a bottom plan view thereof;  
FIG. 8 is a perspective view thereof, shown in environmental use; and,  
FIG. 9 is another perspective view thereof, shown in environmental use.  
The broken lines in the figures illustrate the portions of the speaker and form no part of the claimed design.  
The broken line showing of the coaster in FIGS. 8 and 9 is for the purpose of illustrating environmental subject matter that forms no part of the claimed design.

(56) **References Cited**

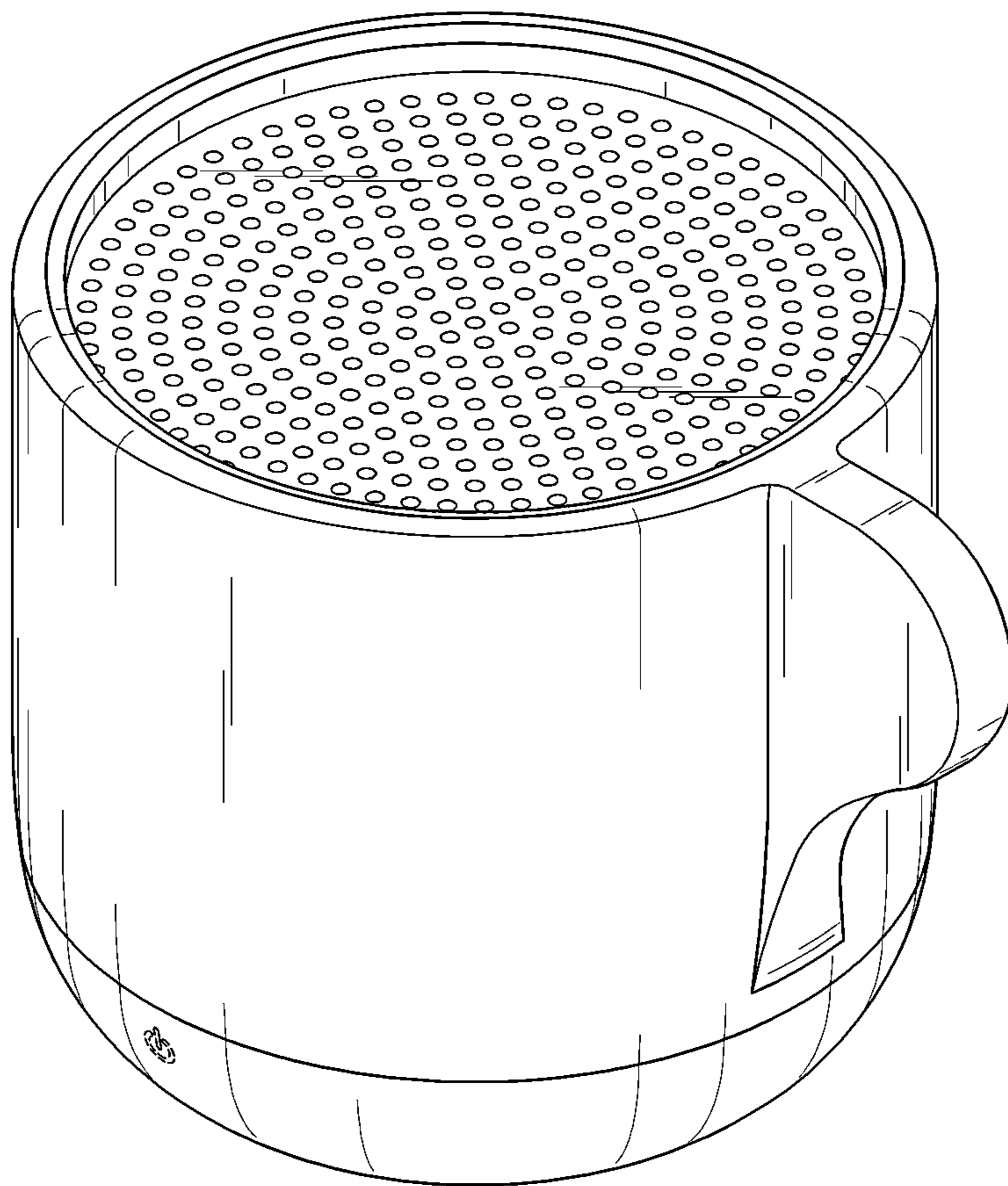
**U.S. PATENT DOCUMENTS**

D692,898 S \* 11/2013 Luijben ..... D14/447  
D758,989 S \* 6/2016 Vogt, Jr. .... D14/204

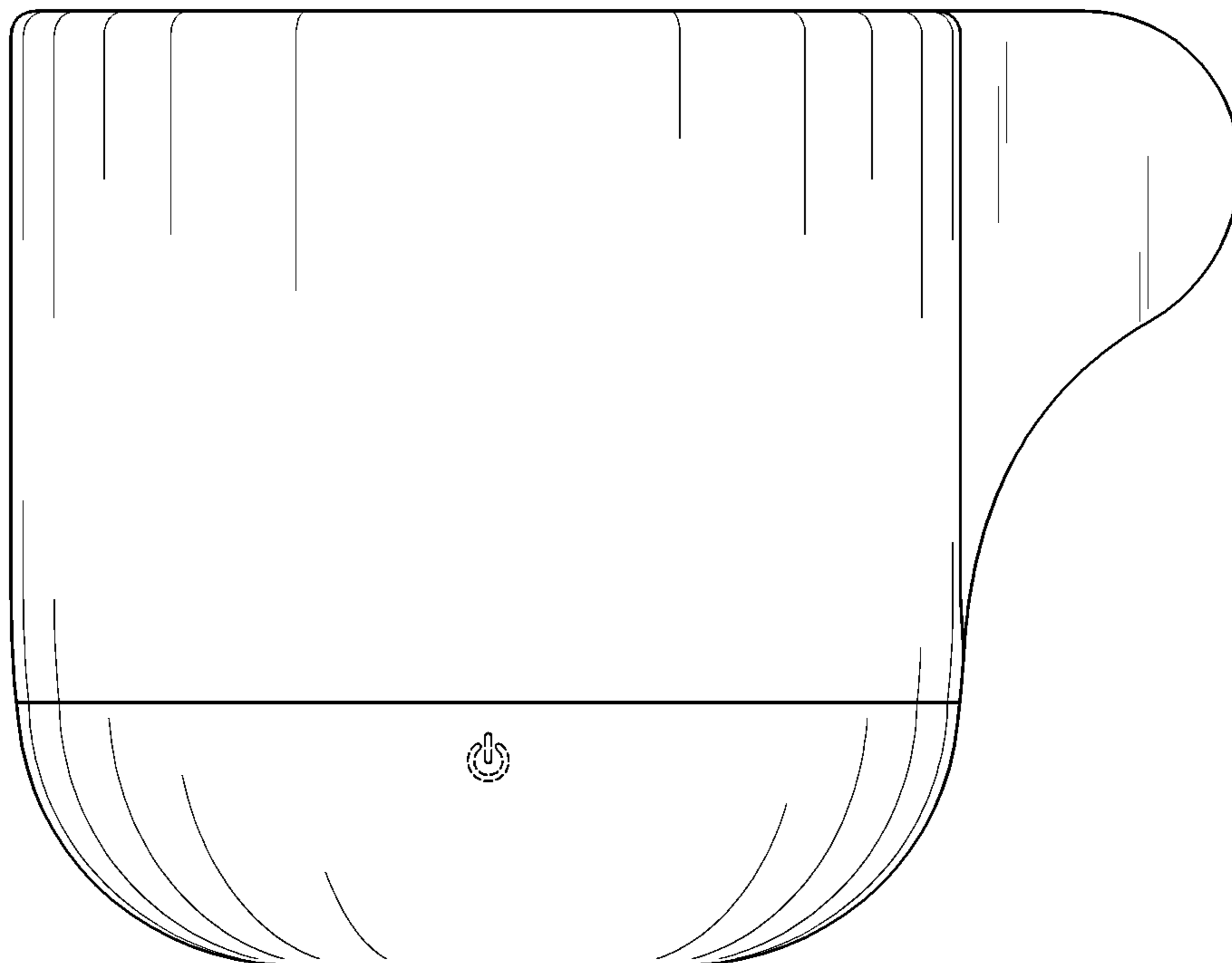
**1 Claim, 9 Drawing Sheets**



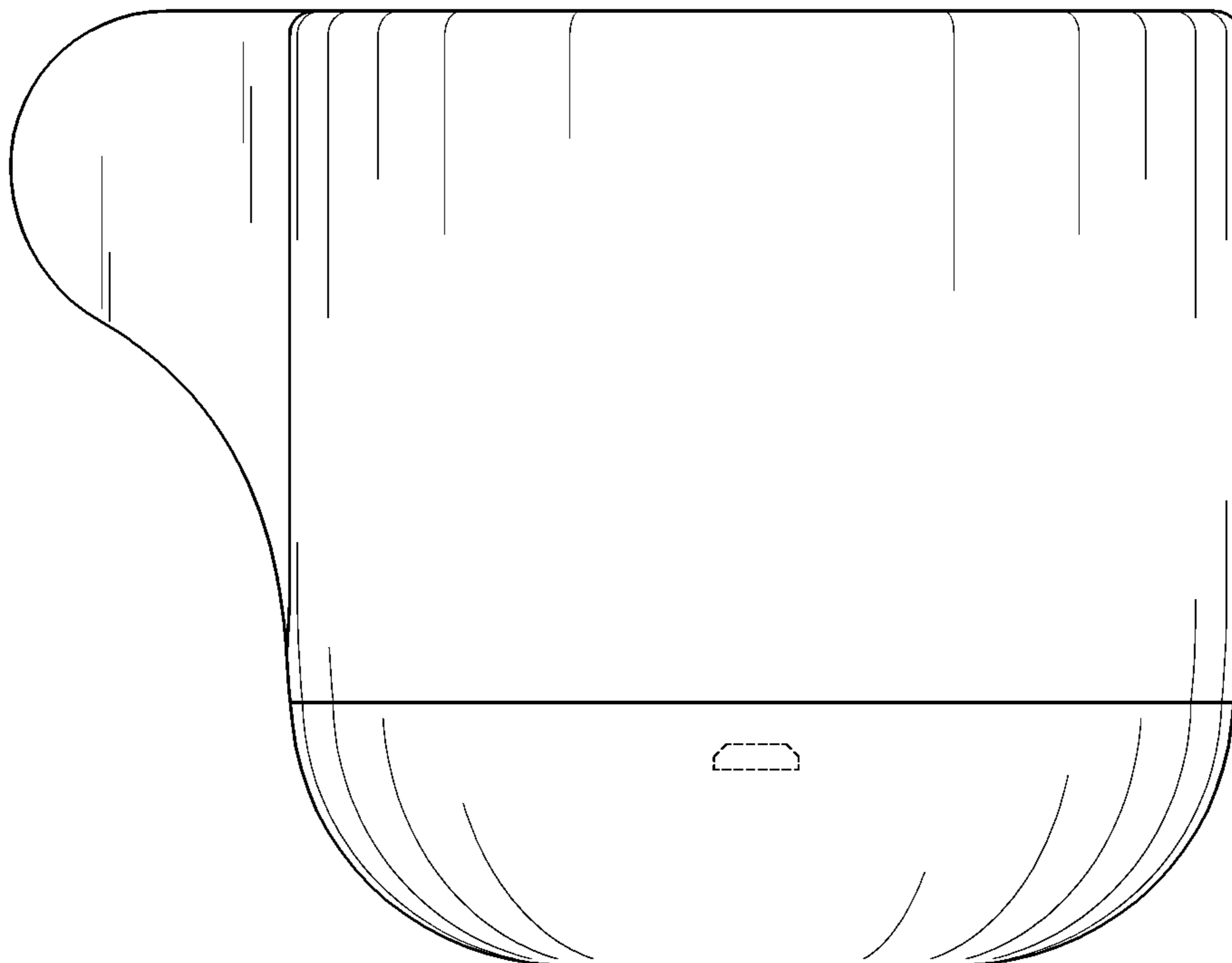
*FIG. 1*



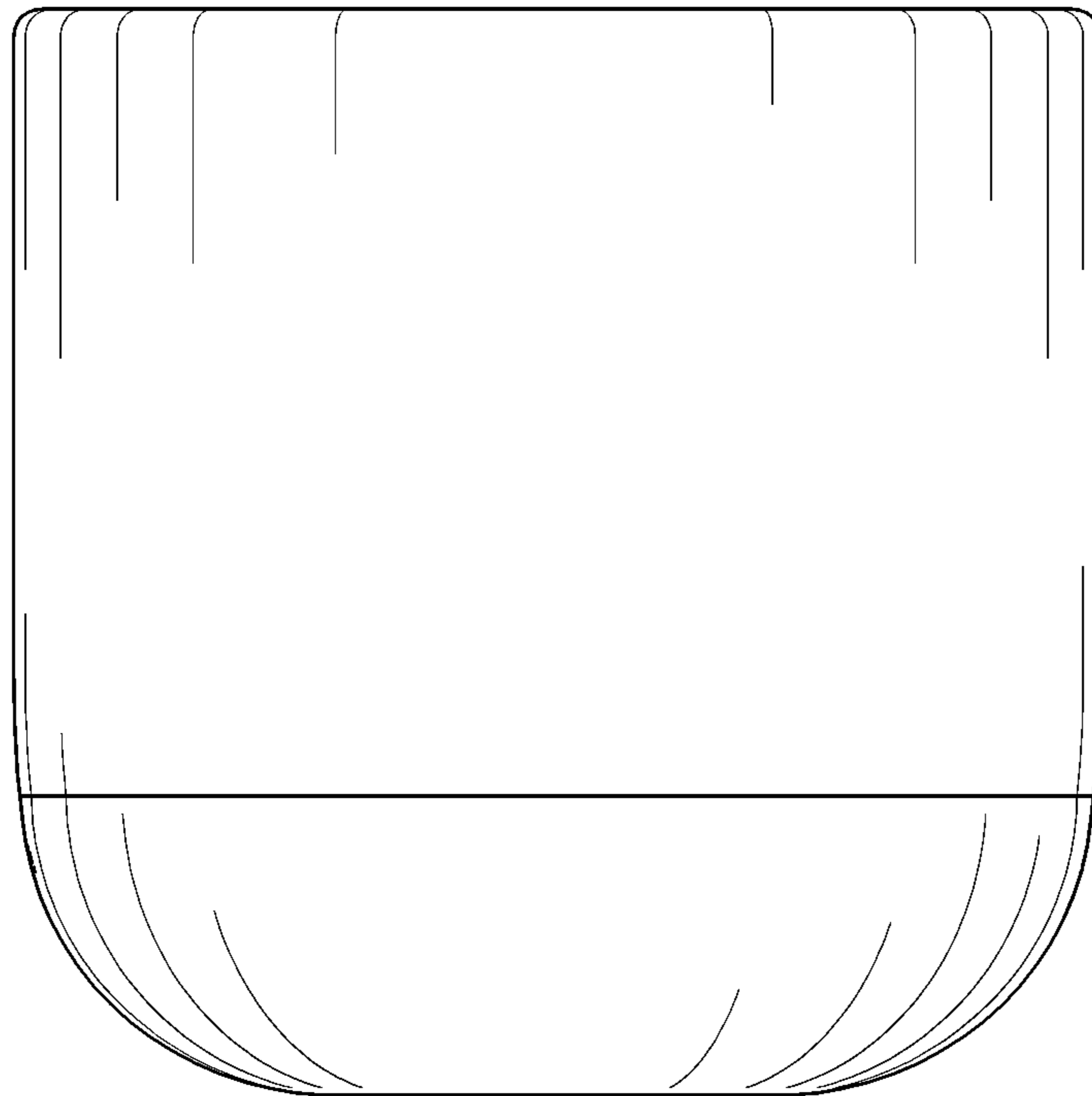
*FIG. 2*



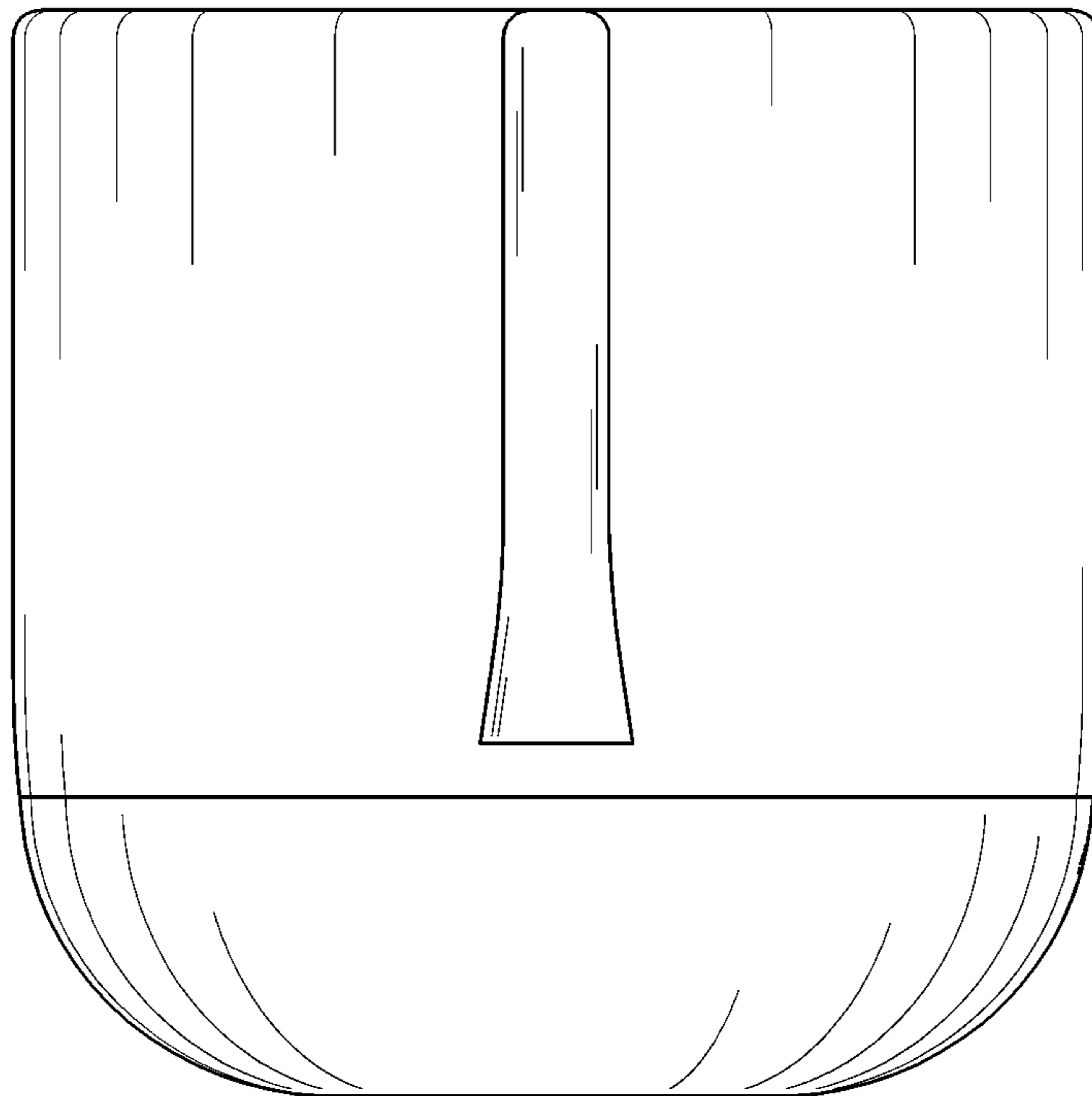
*FIG. 3*



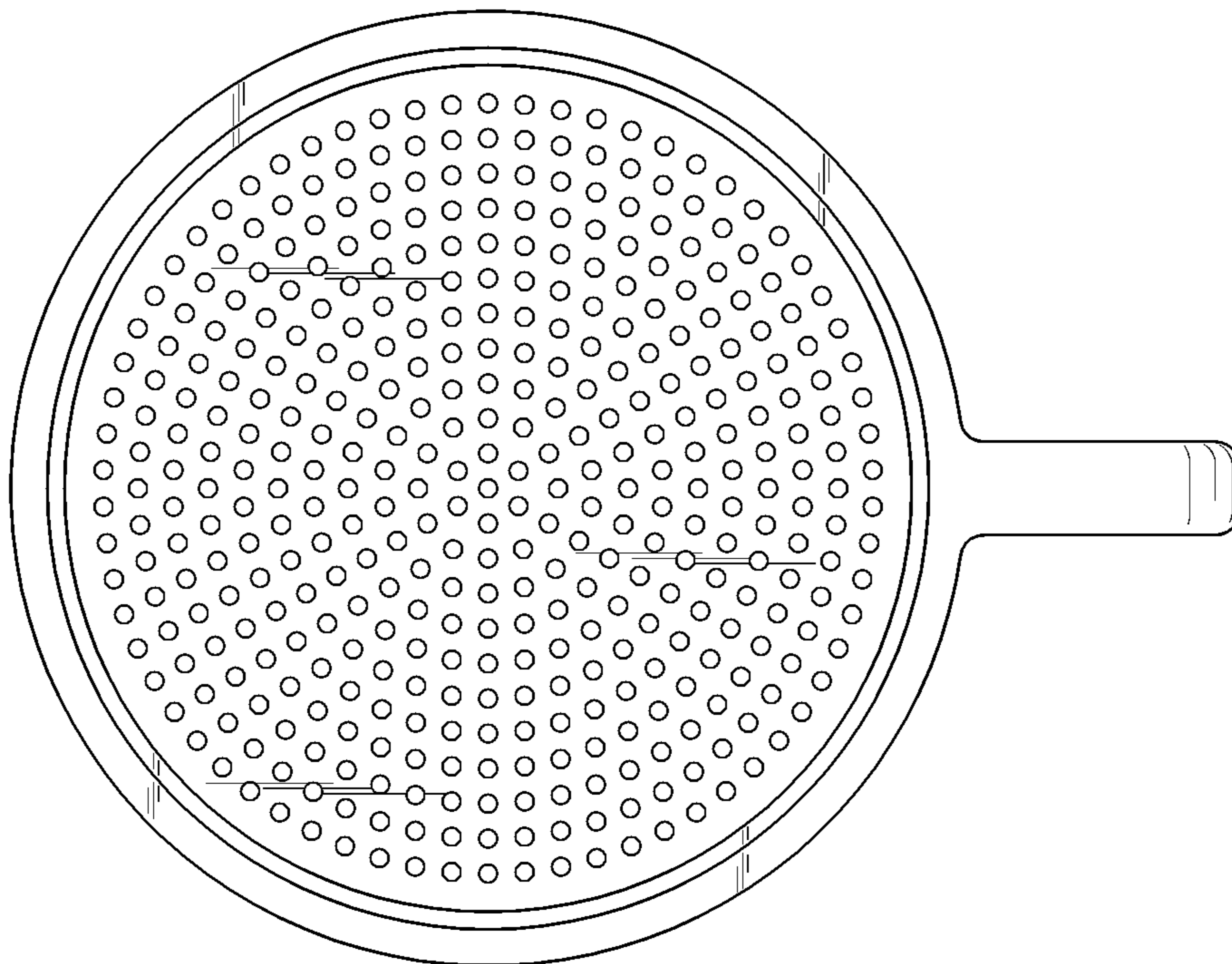
*FIG. 4*



*FIG. 5*

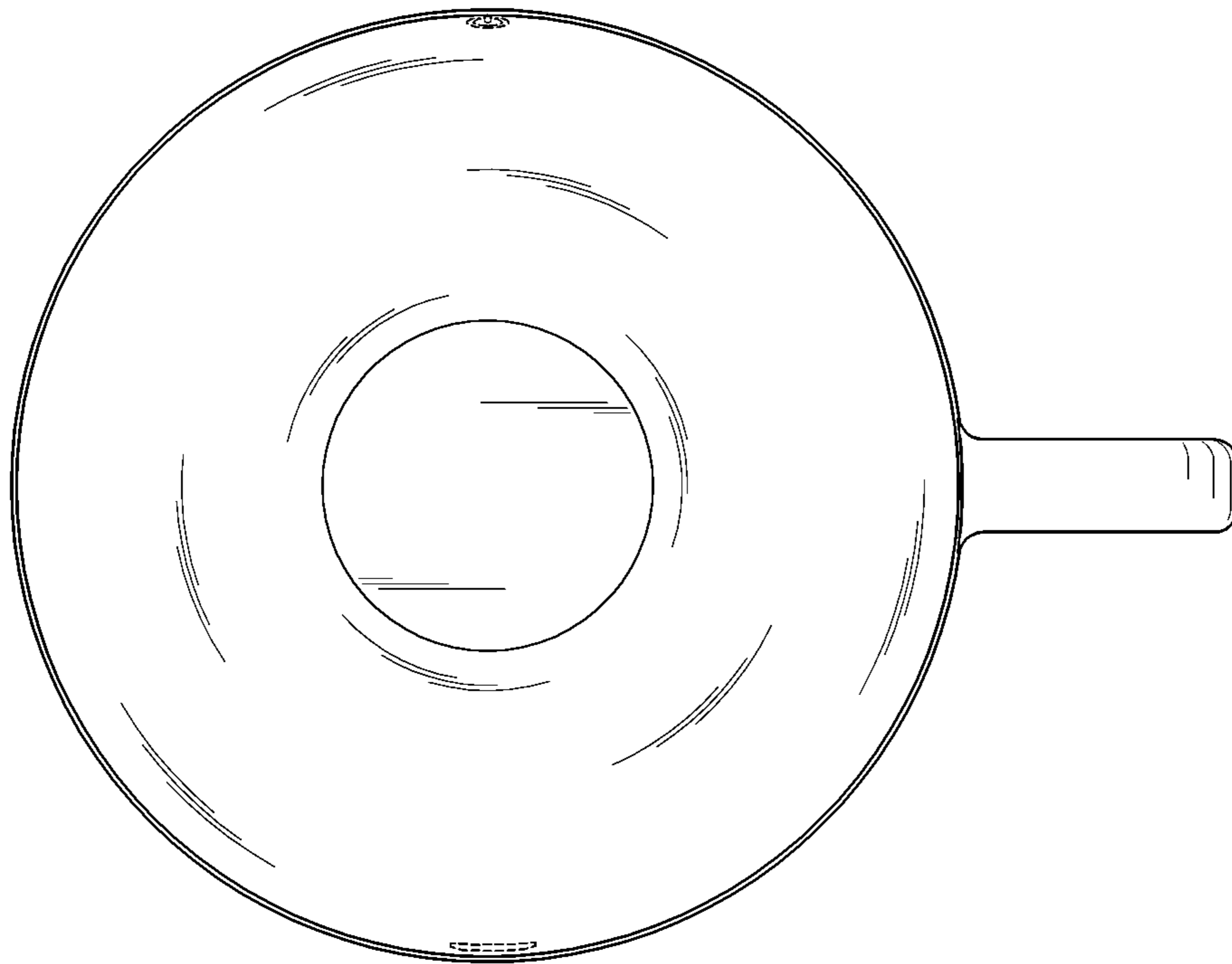


*FIG. 6*



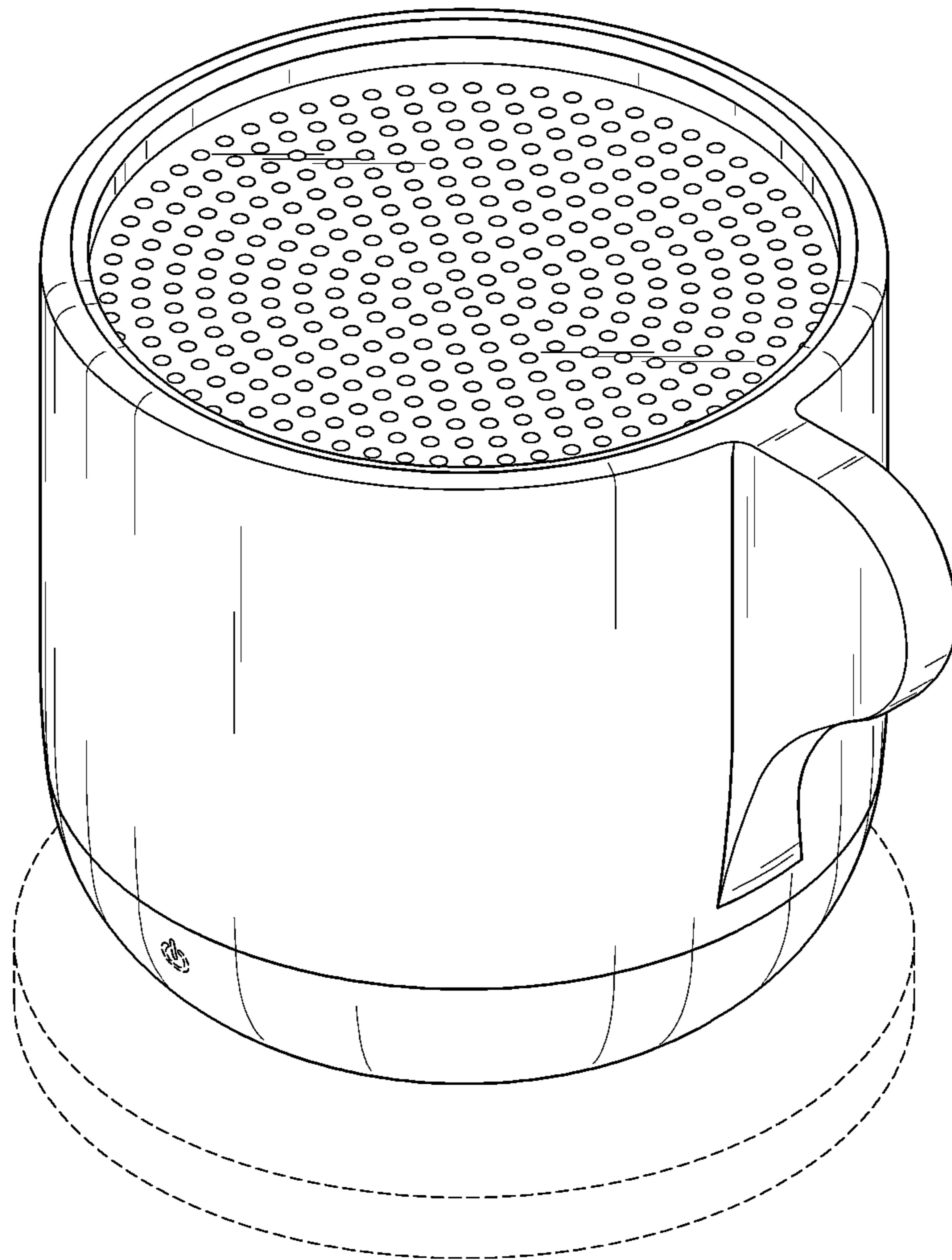


*FIG. 7*





*FIG. 8*



*FIG. 9*

