



US00D975045S

(12) **United States Design Patent** (10) **Patent No.:** **US D975,045 S**  
**Xu** (45) **Date of Patent:** **\*\* Jan. 10, 2023**

(54) **PERSONAL MEDICAL ALERT BASE STATION**  
(71) Applicant: **MICRON ELECTRONICS LLC**,  
Boca Raton, FL (US)  
(72) Inventor: **Jun Xu**, Boca Raton, FL (US)  
(73) Assignee: **MICRON ELECTRONICS LLC**,  
Boca Raton, FL (US)  
(\*\*) Term: **15 Years**  
(21) Appl. No.: **29/756,978**  
(22) Filed: **Nov. 2, 2020**  
(51) **LOC (14) Cl.** ..... **14-03**  
(52) **U.S. Cl.**  
USPC ..... **D14/140; D24/186**  
(58) **Field of Classification Search**  
USPC ..... D14/240, 242, 358, 351, 356, 357, 125,  
D14/155, 162, 167, 168, 172, 175, 188,  
D14/195, 203.1, 203.6, 203.8, 204, 209.1,  
D14/216, 217, 218, 228, 299, 496, 140,  
D14/142, 388, 238.1, 137, 300, 301, 302,  
D14/314, 129, 130; D13/123, 124, 152,  
D13/158, 162, 162.1, 168, 173, 184, 199;  
D10/104.1, 106.6, 46; D24/177, 185,  
D24/186, 107  
CPC . G06F 3/16; G06F 3/162; G06F 3/165; G06F  
3/167; G08B 7/06; G08B 3/1041; G08B  
25/016; G08B 25/10; G08B 5/002; G08B  
21/04; G08B 21/043; G08B 21/02; G08B  
21/24; H04B 1/086; H04M 11/04; H04M  
2250/56; H04M 1/72418; H04M 3/5116;  
H04L 2209/88; A61B 5/1117; A61B  
2560/0456; A61B 5/0002; A61B 5/0015  
See application file for complete search history.

(56) **References Cited**  
U.S. PATENT DOCUMENTS  
D273,952 S \* 5/1984 Stansbury, Jr. .... D10/104.1  
D274,048 S \* 5/1984 Wong ..... D14/242

5,450,064 A \* 9/1995 Williams, Jr. .... G01S 1/68  
455/100  
D368,043 S \* 3/1996 Pun ..... D10/106.6  
D412,676 S \* 8/1999 Layes ..... D10/106.6  
D509,825 S \* 9/2005 Chen ..... D14/300  
D510,926 S \* 10/2005 Jerome ..... D14/500  
D581,927 S \* 12/2008 Sumii ..... D14/356  
D590,391 S \* 4/2009 Sumii ..... D14/356  
D598,003 S \* 8/2009 Park ..... D14/149  
D598,018 S \* 8/2009 Sumii ..... D14/301  
D635,043 S \* 3/2011 Loadholt ..... D10/104.1  
D647,227 S \* 10/2011 Kaule ..... D26/24  
D666,575 S \* 9/2012 Marsh ..... D14/159  
D685,773 S \* 7/2013 Katarow ..... D14/240  
D714,248 S \* 9/2014 Chang ..... D14/140  
D724,060 S \* 3/2015 Ahn ..... D14/218  
D739,397 S \* 9/2015 Akana ..... D14/314

(Continued)

*Primary Examiner* — Marie D. Fast Horse  
(74) *Attorney, Agent, or Firm* — Anova Law Group,  
PLLC

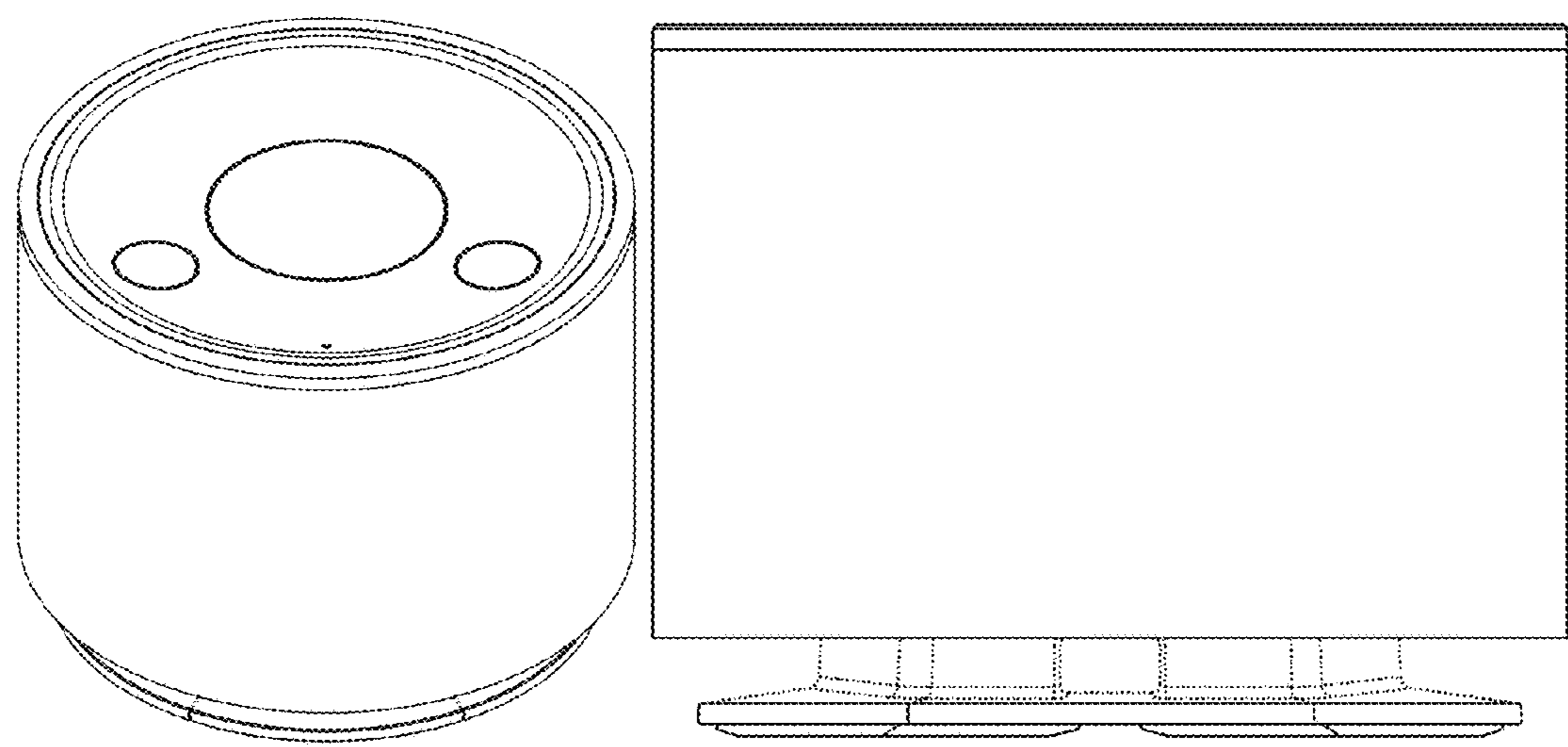
(57) **CLAIM**

The ornamental design for a personal medical alert base station, as shown and described.

**DESCRIPTION**

FIG. 1 is a perspective view of a personal medical alert base station showing my new design;  
FIG. 2 is a top view thereof;  
FIG. 3 is a left view thereof;  
FIG. 4 is a right view thereof;  
FIG. 5 is a bottom view thereof;  
FIG. 6 is a front view thereof; and,  
FIG. 7 is a rear view thereof.  
The broken lines in the drawings depict parts of the personal medical alert base station that form no part of the claimed design.

**1 Claim, 7 Drawing Sheets**



(56)

References Cited

U.S. PATENT DOCUMENTS

D743,954 S \* 11/2015 Chuang ..... D14/240  
 D746,165 S \* 12/2015 Li ..... D10/104.1  
 D746,166 S \* 12/2015 Li ..... D10/104.1  
 D752,588 S \* 3/2016 Li ..... D14/385  
 D754,653 S \* 4/2016 Marciniak ..... D14/314  
 D755,657 S \* 5/2016 Xu ..... D10/104.1  
 D755,750 S \* 5/2016 Chen ..... D14/172  
 D757,587 S \* 5/2016 Li ..... D10/106.6  
 D764,320 S \* 8/2016 Li ..... D10/50  
 D771,142 S \* 11/2016 Langhammer ..... D14/496  
 D771,600 S \* 11/2016 Hinokio ..... D14/228  
 D772,860 S \* 11/2016 Magi ..... D14/300  
 D780,729 S \* 3/2017 Shin ..... D14/242  
 D784,259 S \* 4/2017 Huang ..... D13/108  
 D792,468 S \* 7/2017 Langhammer ..... D14/203.3  
 D796,355 S \* 9/2017 Cho ..... D10/70  
 D797,042 S \* 9/2017 Miller ..... D13/107  
 D798,857 S \* 10/2017 Lee ..... D14/314  
 D802,022 S \* 11/2017 Yao ..... D14/496  
 D806,072 S \* 12/2017 Gummalla ..... D14/240  
 D806,709 S \* 1/2018 Gummalla ..... D14/240  
 D807,873 S \* 1/2018 Seoc ..... D14/314  
 D809,500 S \* 2/2018 Akana ..... D14/314  
 D811,361 S \* 2/2018 Peng ..... D14/149

D815,149 S \* 4/2018 Langhammer ..... D14/496  
 D820,318 S \* 6/2018 Mullins ..... D14/496  
 D822,717 S \* 7/2018 Lim ..... G06F 17/00  
 D14/496  
 D826,205 S \* 8/2018 Langhammer ..... D14/511  
 D829,242 S \* 9/2018 Laine ..... D14/496  
 D834,560 S \* 11/2018 Hardi ..... D14/218  
 D838,257 S \* 1/2019 Manz ..... D14/216  
 D839,870 S \* 2/2019 Akana ..... D14/314  
 D841,693 S \* 2/2019 McWilliam ..... D14/496  
 D848,398 S \* 5/2019 Huang ..... D14/216  
 D855,595 S \* 8/2019 Yang ..... D14/242  
 D858,497 S \* 9/2019 Laurans ..... D10/104.1  
 D858,499 S \* 9/2019 Yang ..... D14/242  
 D860,198 S \* 9/2019 Engwall ..... D14/356  
 D862,455 S \* 10/2019 Nagano ..... D14/301  
 D864,929 S \* 10/2019 Laurans ..... D10/104.1  
 D883,970 S \* 5/2020 Wang ..... D14/242  
 D893,592 S \* 8/2020 Ishida ..... D18/19  
 D900,805 S \* 11/2020 McWilliam ..... D14/496  
 D905,691 S \* 12/2020 Shin ..... D14/358  
 D934,296 S \* 10/2021 Anderson ..... D14/204  
 11,228,824 B1 \* 1/2022 Lemons ..... G06F 3/167  
 D944,790 S \* 3/2022 Olsson ..... D14/300  
 2016/0094966 A1 \* 3/2016 Ledingham ..... H04W 76/50  
 455/552.1  
 2019/0028590 A1 \* 1/2019 Grossen ..... H04M 3/56

\* cited by examiner

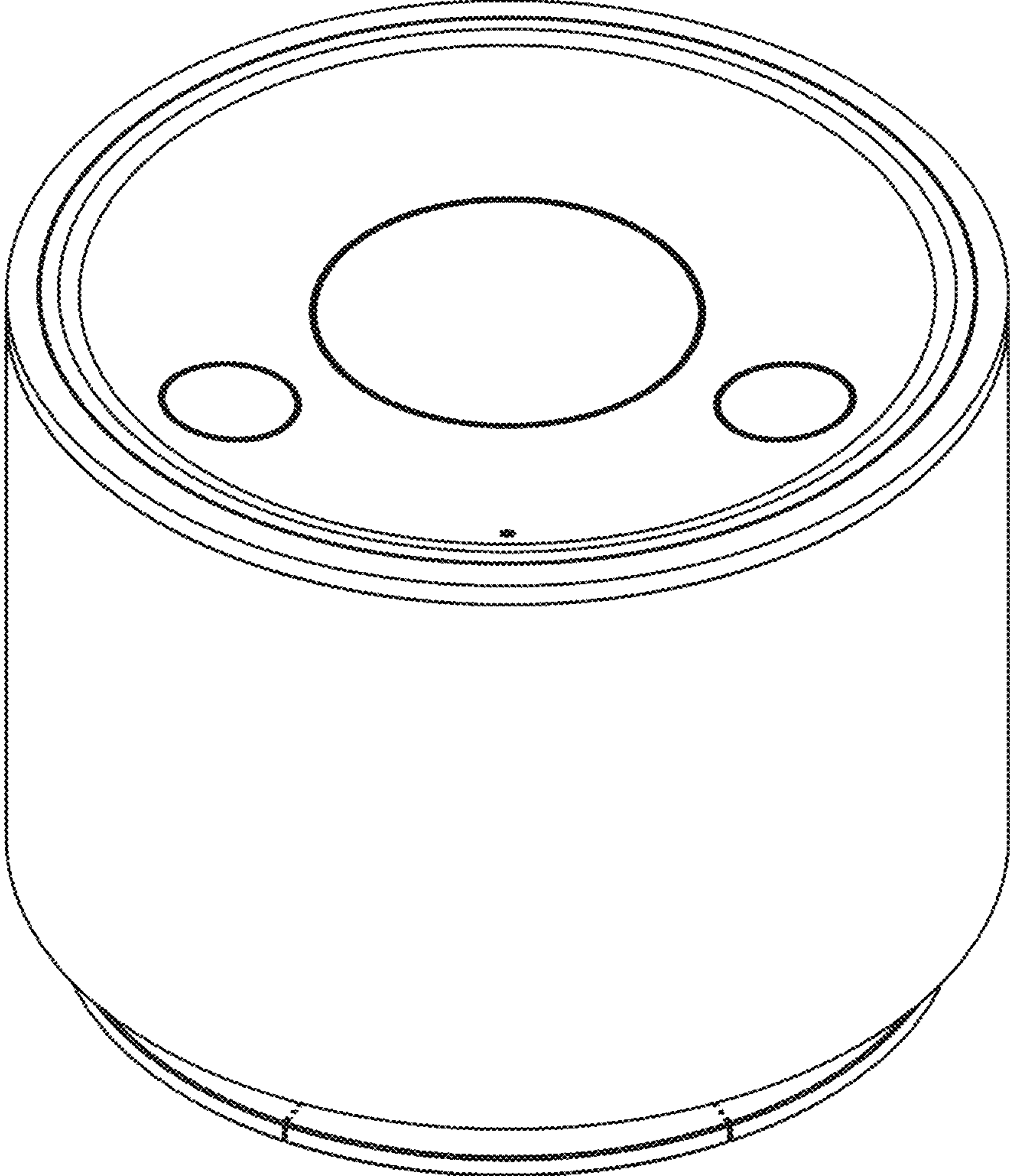


FIG. 1

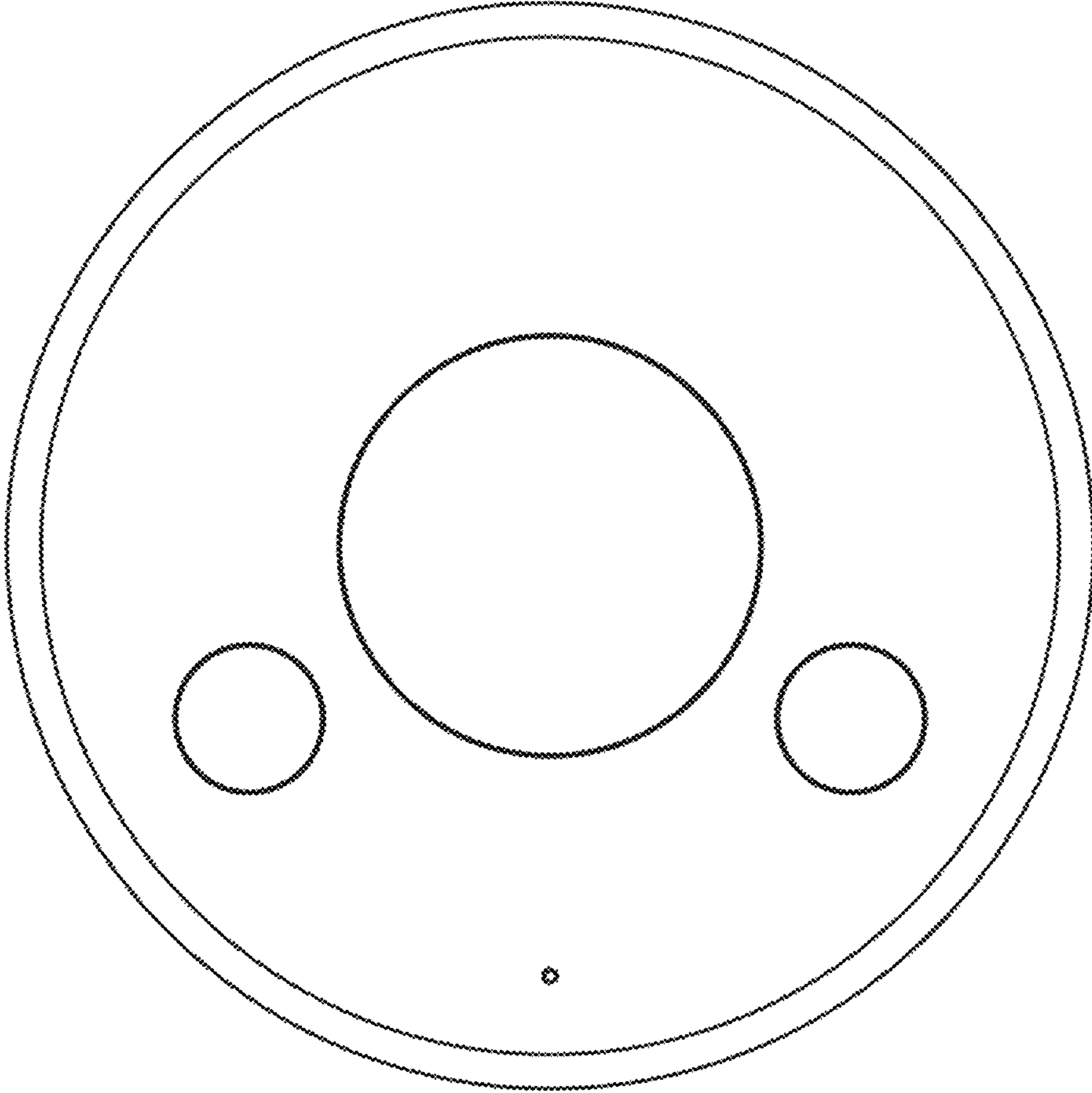


FIG. 2

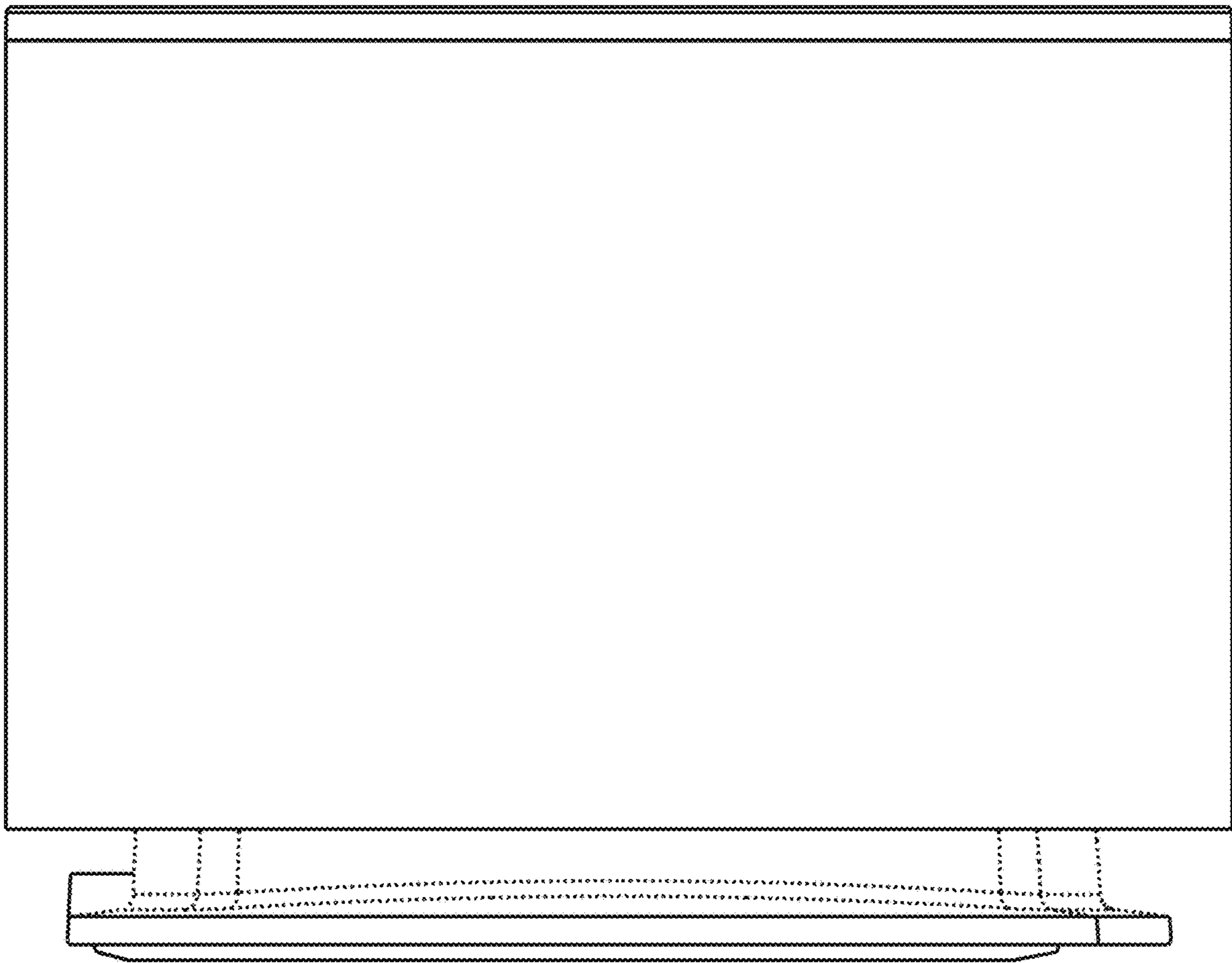


FIG. 3

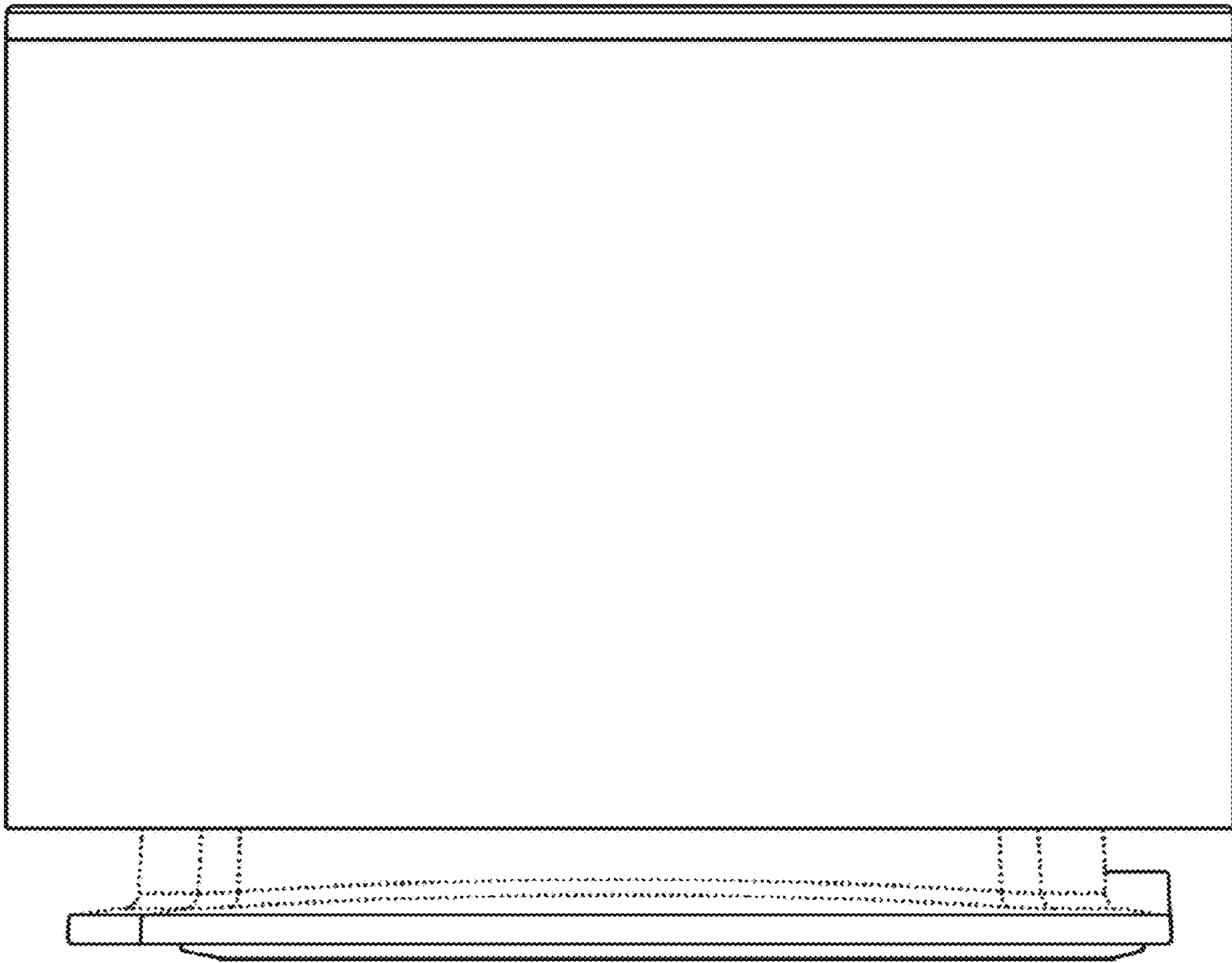


FIG. 4

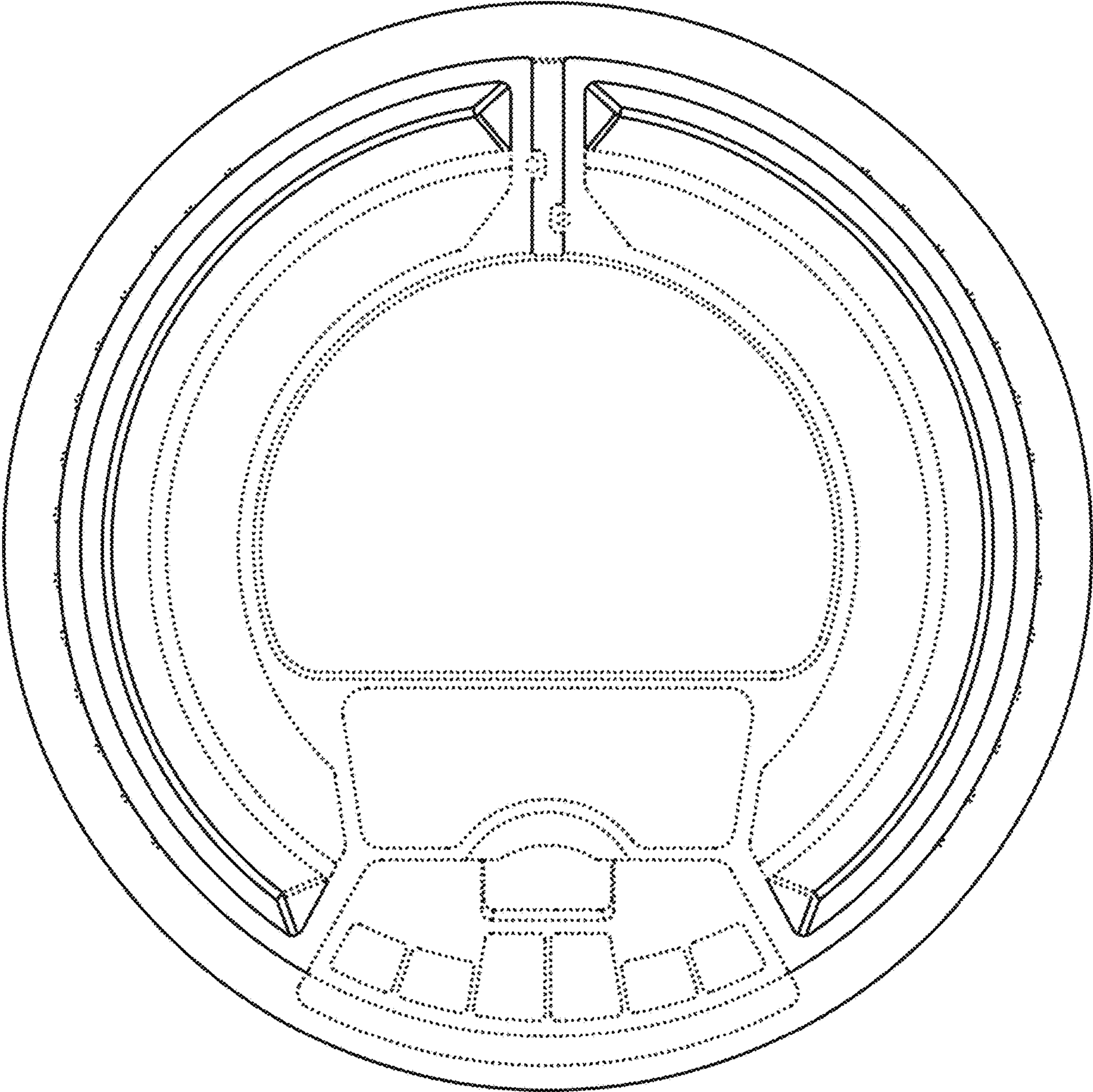


FIG. 5

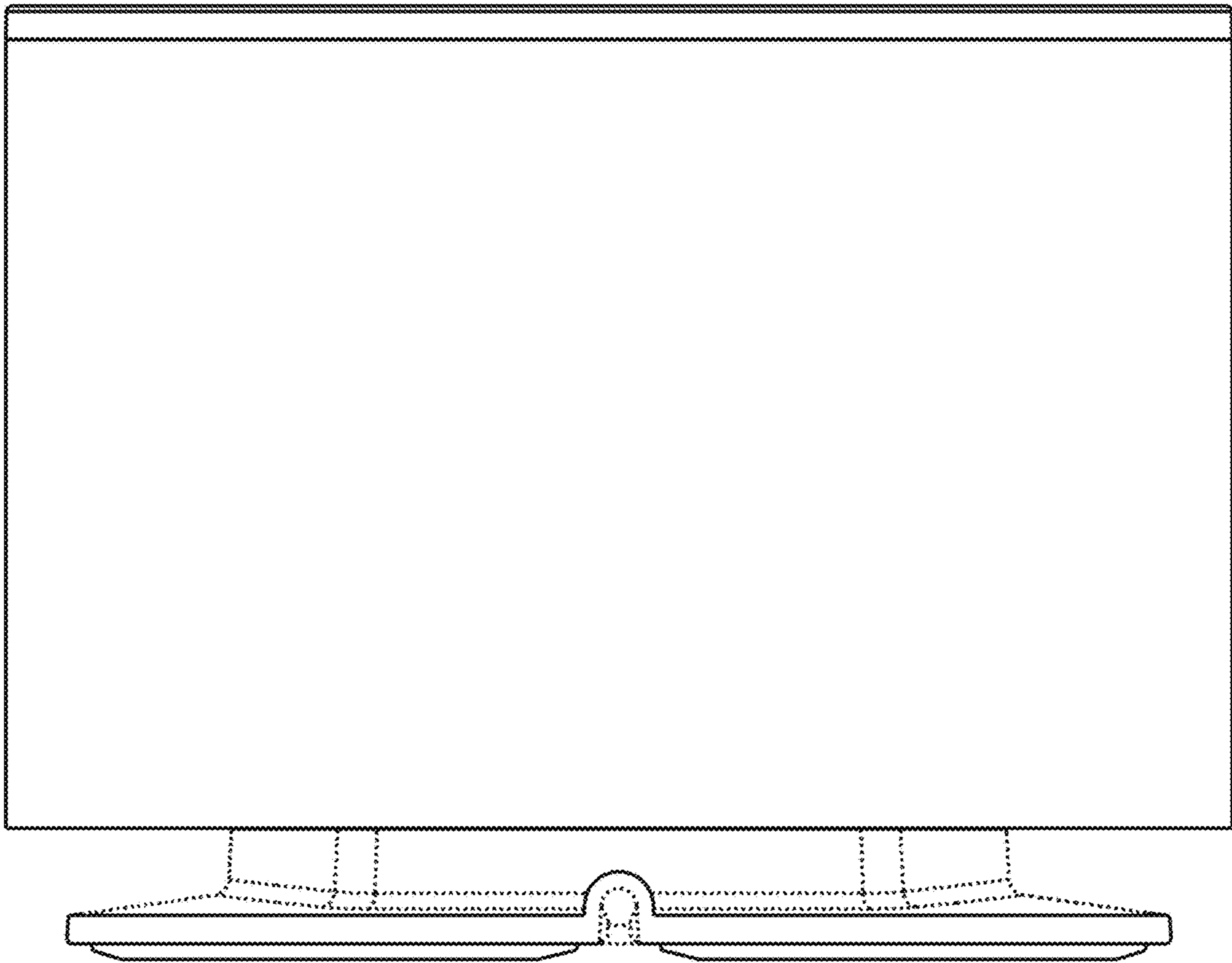


FIG. 6



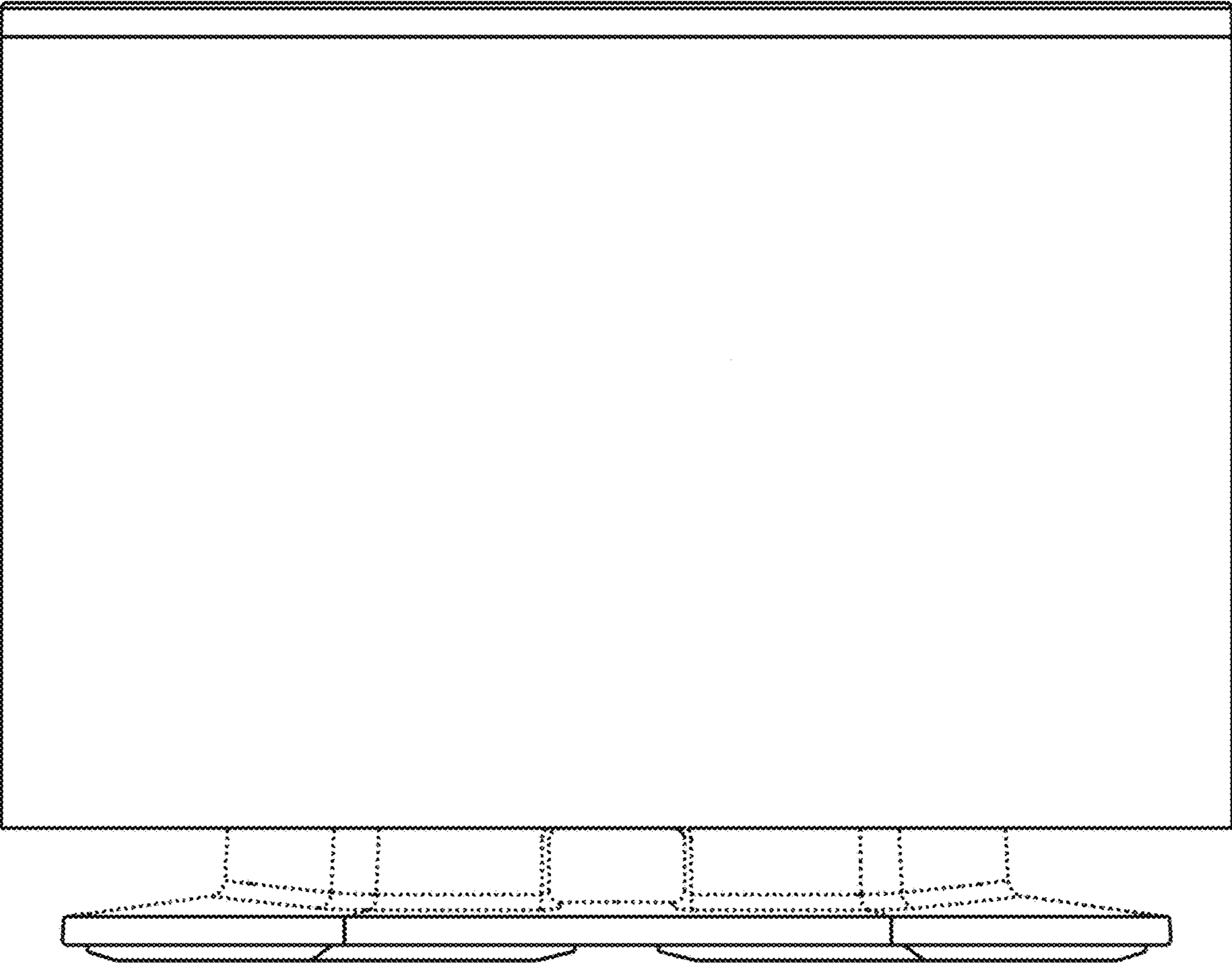


FIG. 7