



US00D975043S

(12) **United States Design Patent** (10) **Patent No.:** **US D975,043 S**
Lee (45) **Date of Patent:** **** Jan. 10, 2023**

(54) **TELEVISION**

FOREIGN PATENT DOCUMENTS

(71) Applicant: **LG ELECTRONICS INC.**, Seoul (KR)

WO 2021251549 * 12/2021 G06F 1/1605
WO WO-2021251549 A1 * 12/2021 F16M 11/125

(72) Inventor: **Nari Lee**, Seoul (KR)

Primary Examiner — Marie D. Fast Horse

(73) Assignee: **LG ELECTRONICS INC.**, Seoul (KR)

(74) *Attorney, Agent, or Firm* — Birch, Stewart, Kolasch & Birch, LLP

(**) Term: **15 Years**

(57) **CLAIM**

(21) Appl. No.: **29/751,604**

The ornamental design for a television, as shown and described.

(22) Filed: **Sep. 22, 2020**

DESCRIPTION

(30) **Foreign Application Priority Data**

Apr. 9, 2020 (KR) 30-2020-0015898

(51) **LOC (14) Cl.** **14-03**

(52) **U.S. Cl.**
USPC **D14/126; D14/239**

(58) **Field of Classification Search**
USPC D14/126, 128, 129, 130, 132, 133, 159,
D14/239, 307, 336, 371, 372, 374, 375,
D14/376, 377, 383, 385, 448, 451, 496;
D20/10, 18, 19, 21, 39; D16/241;
D26/61, 62; D18/4.6; D6/312
CPC G06F 1/1601; G06F 1/1605; G06F 1/1607;
G06F 1/1637; G06F 1/1642; G06F 1/182;
G06F 1/20; G06F 2200/1612; G06F
3/0421; G06F 3/0428; G06F 3/0488;
G06F 3/1446; H04N 5/64; H04N
1/00522; H05K 7/18;

(Continued)

(56) **References Cited**

U.S. PATENT DOCUMENTS

D157,744 S * 3/1950 Earley D6/312
D229,231 S * 11/1973 Beeren D16/135
D348,449 S * 7/1994 Rodd D14/374

(Continued)

FIG. 1 is a front, right side, perspective view of a television showing my new design;

FIG. 2 is a front view thereof;

FIG. 3 is a rear view thereof;

FIG. 4 is a left side view thereof;

FIG. 5 is a right side view thereof;

FIG. 6 is a top view thereof;

FIG. 7 is a bottom view thereof;

FIG. 8 is an enlarged detail view of the selected portion in FIG. 4;

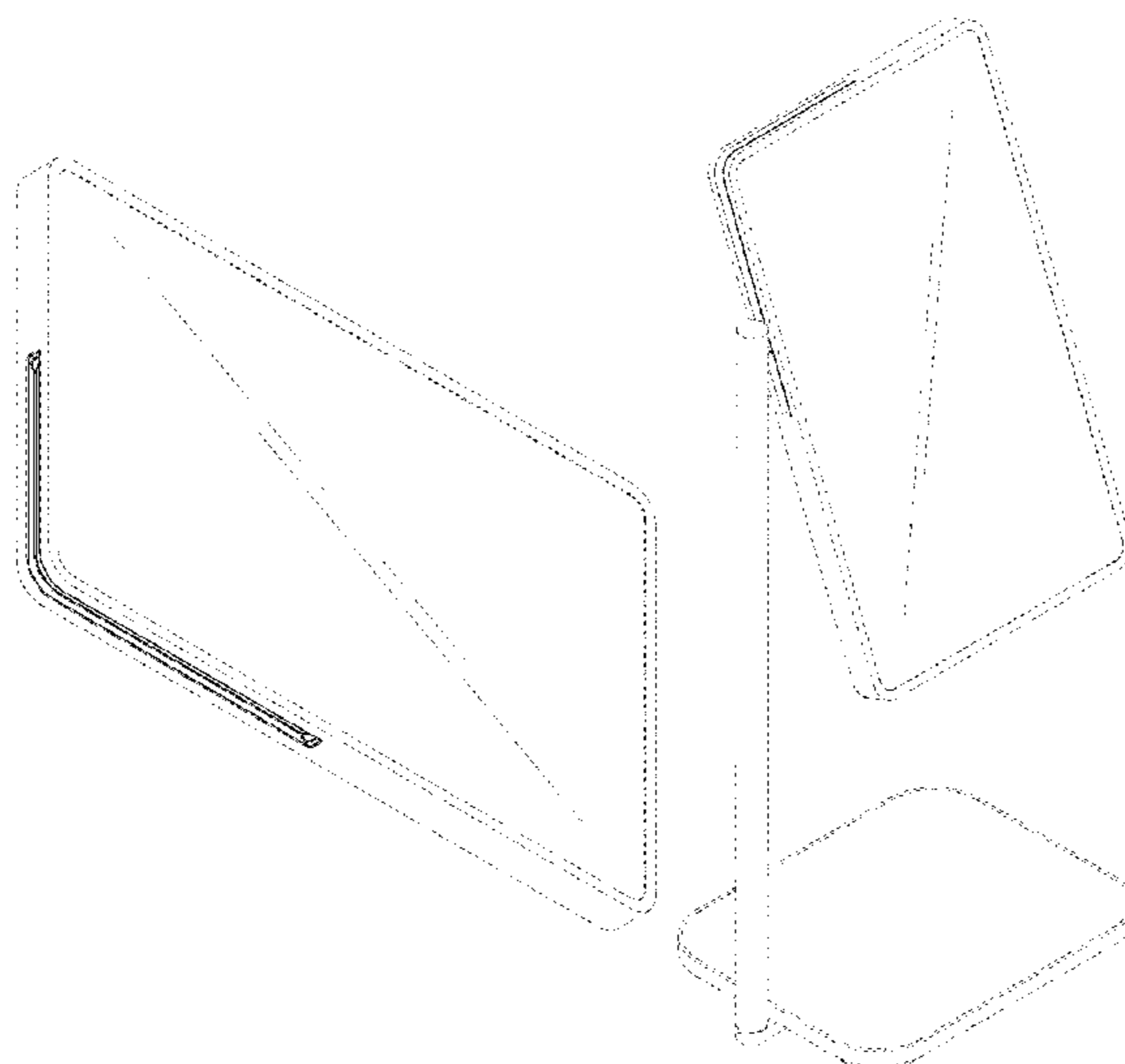
FIG. 9 is an enlarged detail view of the selected portion in FIG. 7;

FIG. 10 is another perspective view thereof, shown in a state of use mounted on an environmental stand and tilted in an upward position; and,

FIG. 11 is another perspective view thereof, shown in another state of use mounted on an environmental stand, where the television is rotated clockwise 45° relative to the stand and tilted in an upward position.

The broken dashed lines showing the additional stand in FIGS. 10 and 11 depict environmental structure only and form no part of the claim, while all other broken dashed lines depict portions of the television that form no part of the claimed design. The broken lines consisting of a long dash and a short dash depict reference to the enlargements shown in the figures and form no part of the claim.

1 Claim, 11 Drawing Sheets



- (58) **Field of Classification Search**
 CPC H05K 7/183; H05K 7/186; A47B 81/064;
 A47B 51/00; A47B 21/0073
 See application file for complete search history.

(56) **References Cited**

U.S. PATENT DOCUMENTS

D393,853 S * 4/1998 Maas D14/126
 D422,575 S * 4/2000 Tikhonski D14/126
 D425,036 S * 5/2000 Copus D14/126
 D449,609 S * 10/2001 Jung D14/374
 D493,816 S * 8/2004 Butler D14/371
 D586,566 S * 2/2009 Ko D6/312
 D597,975 S * 8/2009 Ohno D14/126
 D615,542 S * 5/2010 Oikawa D14/374
 D633,307 S * 3/2011 Mangelsen D6/300
 D669,076 S * 10/2012 Haller D14/374
 D671,083 S * 11/2012 Kim D14/126
 D677,265 S * 3/2013 Lu D14/451

D707,676 S * 6/2014 Azuma D14/307
 D707,677 S * 6/2014 Azuma D14/307
 D707,678 S * 6/2014 Azuma D14/385
 D715,799 S * 10/2014 Ozolins D14/374
 D724,652 S * 3/2015 Azuma D14/341
 D725,107 S * 3/2015 Yeon D14/376
 D725,108 S * 3/2015 Yeon D14/376
 D727,995 S * 4/2015 Vilcovsky D16/221
 D740,286 S * 10/2015 Templeton D14/385
 D769,865 S * 10/2016 Oakley D14/336
 D824,354 S * 7/2018 Kymm D14/126
 D826,887 S * 8/2018 Kymm D14/126
 D860,307 S * 9/2019 Wang D18/4.6
 D918,909 S * 5/2021 Rotsaert D14/385
 D941,288 S * 1/2022 Bhat D14/336
 D949,837 S * 4/2022 Lee D14/239
 D950,532 S * 5/2022 Lee D14/239
 D958,125 S * 7/2022 Lee D14/239
 D958,777 S * 7/2022 Lee D14/239
 2021/0382522 A1 * 12/2021 Chang G06F 1/1607

* cited by examiner

FIG. 1

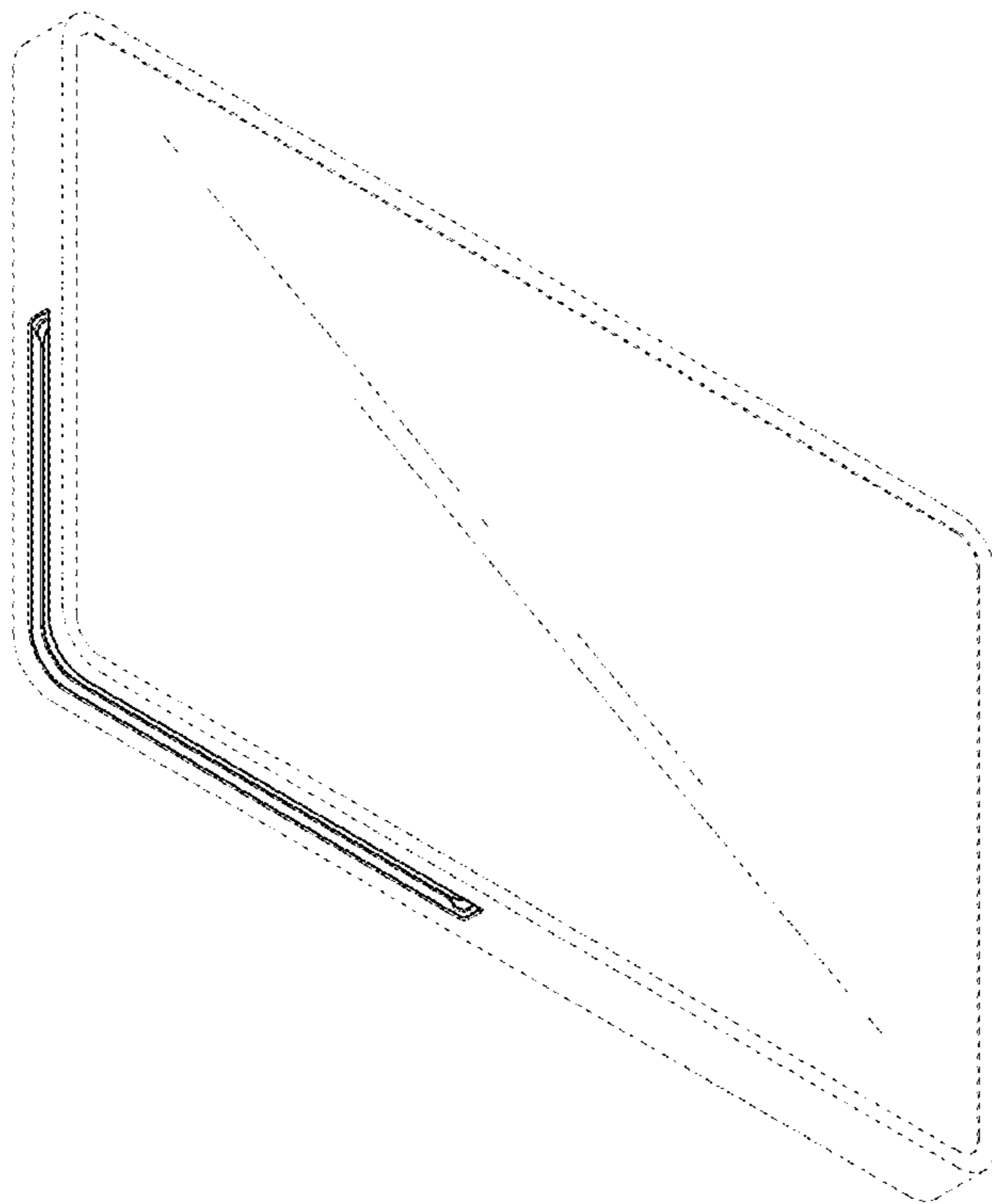


FIG. 2



FIG. 3



FIG. 4

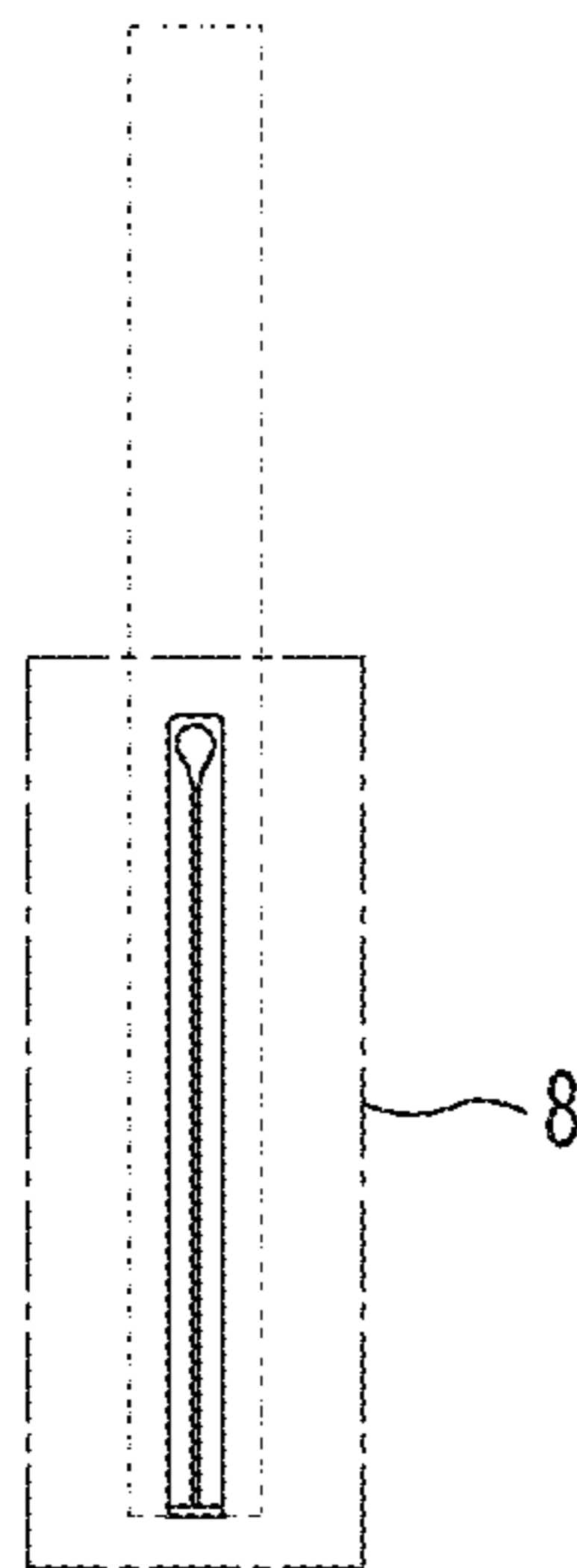


FIG. 5

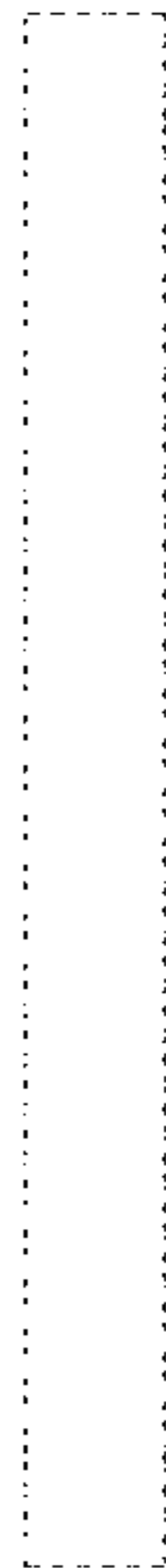


FIG. 6

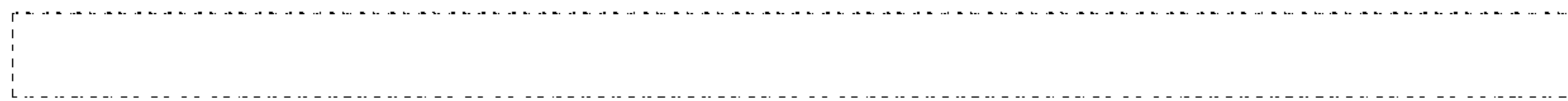


FIG. 7

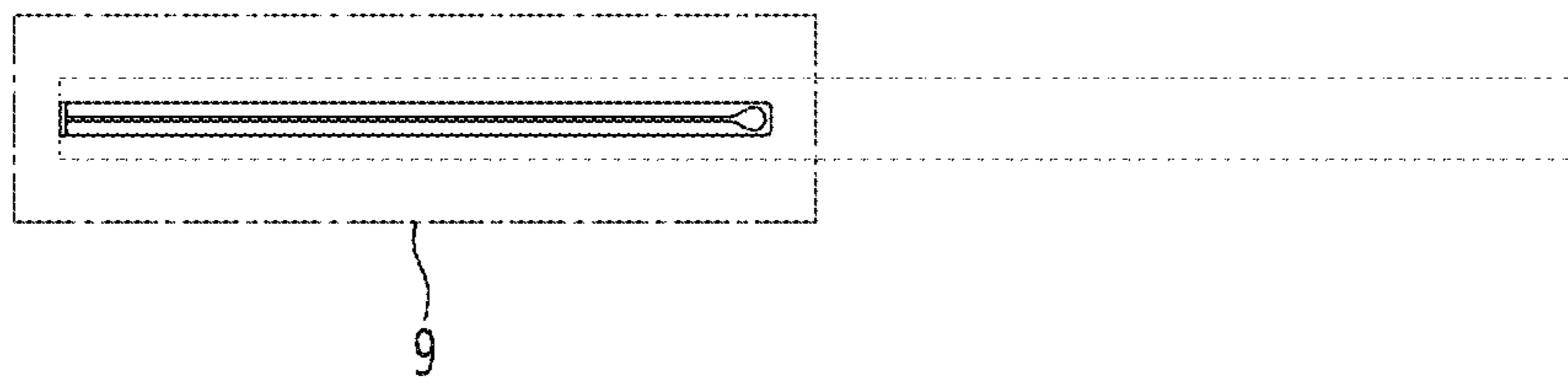


FIG. 8

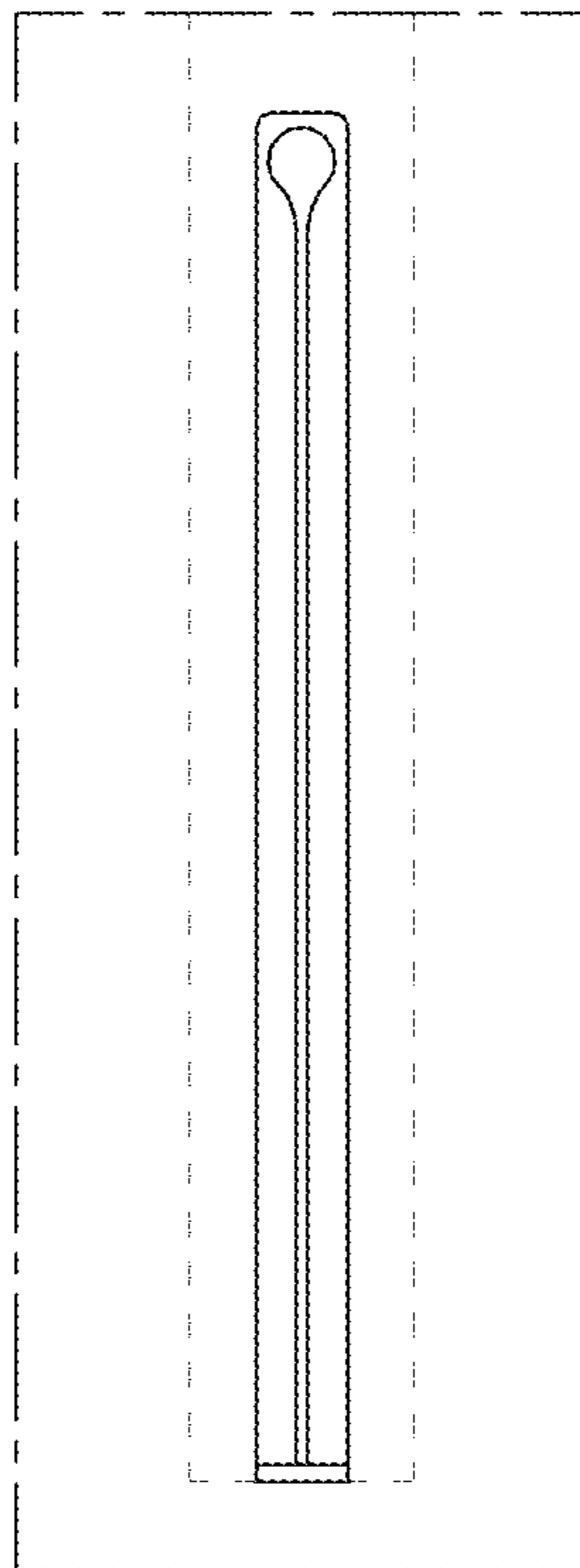


FIG. 9

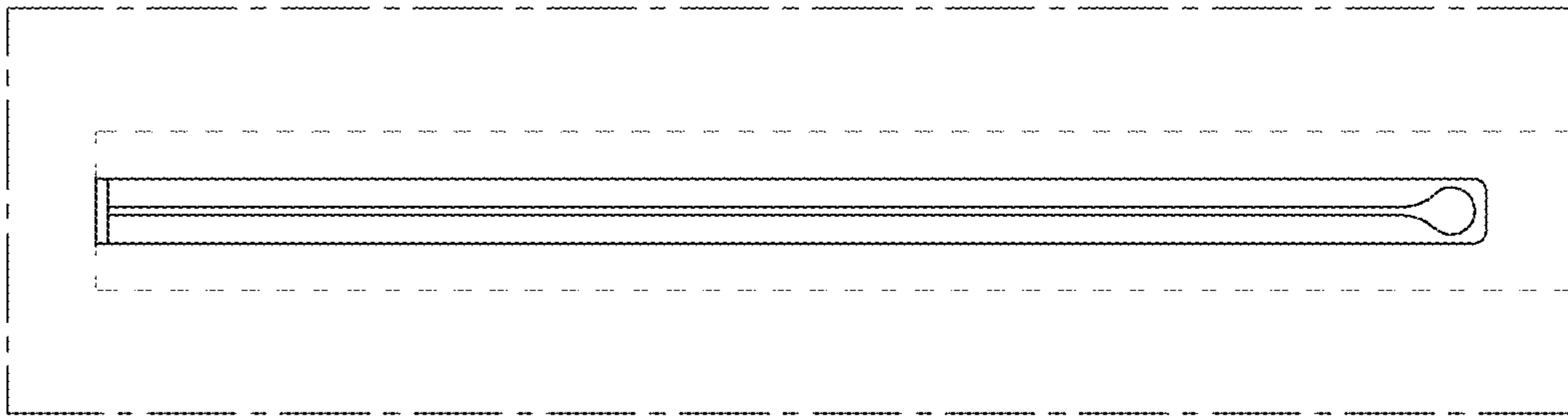


FIG. 10

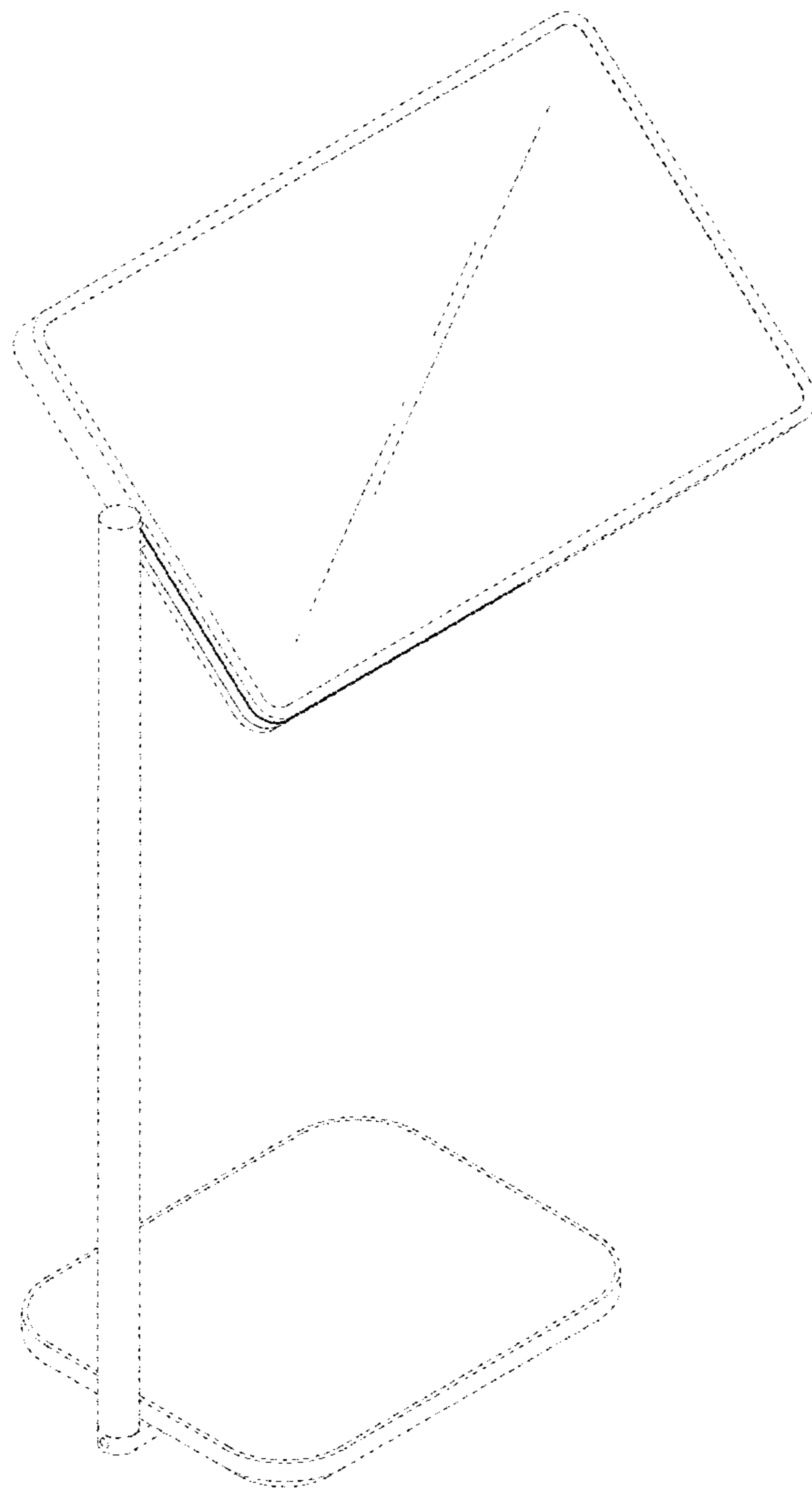


FIG. 11

