



US00D975042S

(12) **United States Design Patent**
Lee

(10) **Patent No.:** **US D975,042 S**
(45) **Date of Patent:** **** *Jan. 10, 2023**

- (54) **TELEVISION**
- (71) Applicant: **LG ELECTRONICS INC.**, Seoul (KR)
- (72) Inventor: **Nari Lee**, Seoul (KR)
- (73) Assignee: **LG ELECTRONICS INC.**, Seoul (KR)
- (*) Notice: This patent is subject to a terminal disclaimer.
- (**) Term: **15 Years**
- (21) Appl. No.: **29/751,557**
- (22) Filed: **Sep. 22, 2020**
- (30) **Foreign Application Priority Data**

Apr. 9, 2020 (KR) 30-2020-0015917

- (51) **LOC (14) Cl.** **14-03**
- (52) **U.S. Cl.**
USPC **D14/126**
- (58) **Field of Classification Search**
USPC D14/126, 128, 129, 130, 132, 133, 159,
D14/239, 307, 336, 371, 372, 374, 375,
D14/376, 383, 448, 451, 496; D20/10,
D20/18, 19, 21, 39; D16/241; D26/61,
D26/62
CPC G06F 1/1601; G06F 1/1605; G06F 1/1607;
G06F 1/1637; G06F 1/1642; G06F 1/182;
G06F 1/20; G06F 2200/1612; G06F
3/0421; G06F 3/0428; G06F 3/0488;
G06F 3/1446; H04N 5/64; H04N
1/00522; H05K 7/18; H05K 7/183; H05K
7/186; A47B 81/064; A47B 51/00; A47B
21/0073

See application file for complete search history.

(56) **References Cited**

U.S. PATENT DOCUMENTS

- D229,231 S * 11/1973 Beeren D26/62
- D393,853 S * 4/1998 Maas D14/126

- D587,251 S * 2/2009 Morello D14/239
- D597,975 S * 8/2009 Ohno D14/126
- D671,083 S * 11/2012 Kim D14/126
- D691,149 S * 10/2013 Breton D14/447
- D725,107 S * 3/2015 Yeon D14/376
- D725,108 S * 3/2015 Yeon D14/376
- D727,995 S * 4/2015 Vilcovsky D6/310
- D762,650 S * 8/2016 Dang D14/434
- D789,099 S * 6/2017 Gorman D6/312
- D790,868 S * 7/2017 Gorman D6/310
- D808,965 S * 1/2018 Bergeron-Mirsky D14/371
- D824,354 S * 7/2018 Kymm D14/126
- D826,887 S * 8/2018 Kymm D14/126

(Continued)

FOREIGN PATENT DOCUMENTS

WO WO-2021251549 A1 * 12/2021 F16M 11/125

Primary Examiner — Marie D. Fast Horse

(74) *Attorney, Agent, or Firm* — Birch, Stewart, Kolasch & Birch, LLP

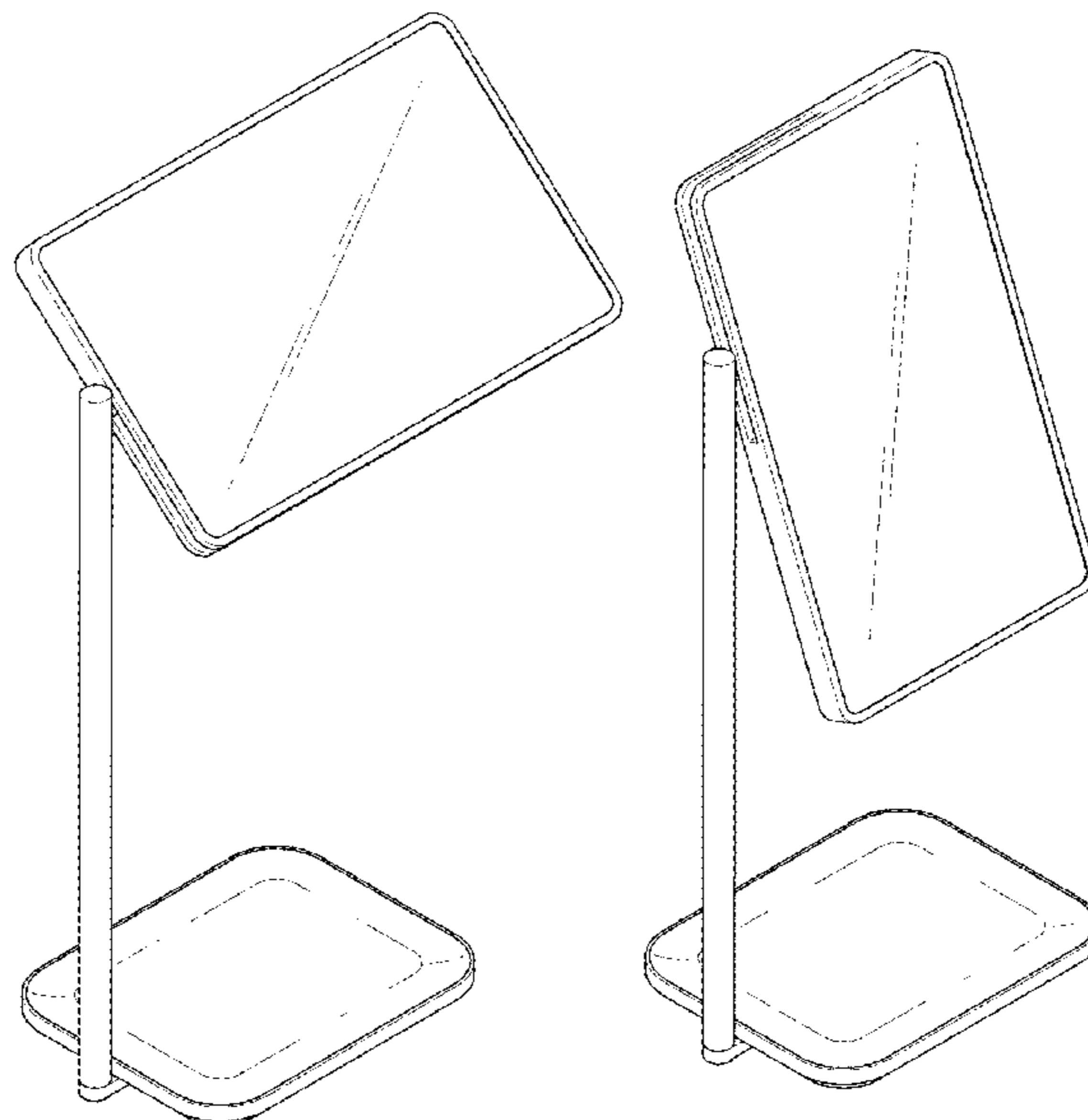
(57) **CLAIM**

The ornamental design for a television, as shown and described.

DESCRIPTION

FIG. 1 is a front, right side, perspective view of a television showing my new design;
 FIG. 2 is a front view thereof;
 FIG. 3 is a rear view thereof;
 FIG. 4 is a left side view thereof;
 FIG. 5 is a right side view thereof;
 FIG. 6 is a top view thereof;
 FIG. 7 is a bottom view thereof; and,
 FIG. 8 is another front, right side perspective view of the television of FIG. 1, shown in another alternate state of use in which the display part is rotated to portrait mode and tilted upward.

1 Claim, 8 Drawing Sheets



(56)

References Cited

U.S. PATENT DOCUMENTS

D852,274 S * 6/2019 Lim D20/39
D918,195 S * 5/2021 Dong D14/307
D928,703 S * 8/2021 Liao D13/108
D931,363 S * 9/2021 Tseng D18/4.5
D949,837 S * 4/2022 Lee D14/239
D950,532 S * 5/2022 Lee D14/239
D958,125 S * 7/2022 Lee D14/239
D958,777 S * 7/2022 Lee D14/239
2021/0382522 A1* 12/2021 Chang G06F 1/1607

* cited by examiner

FIG. 1

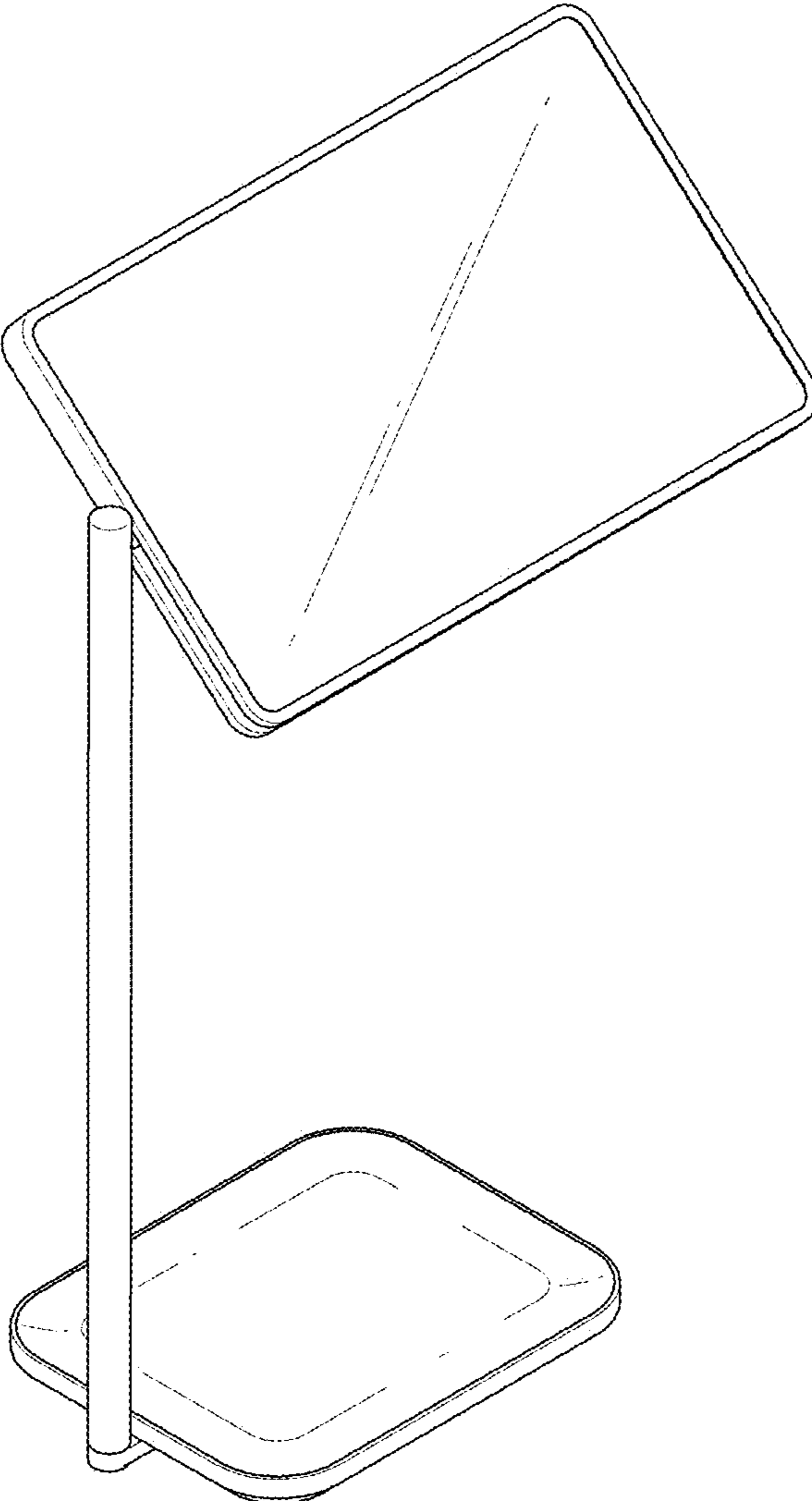


FIG. 2

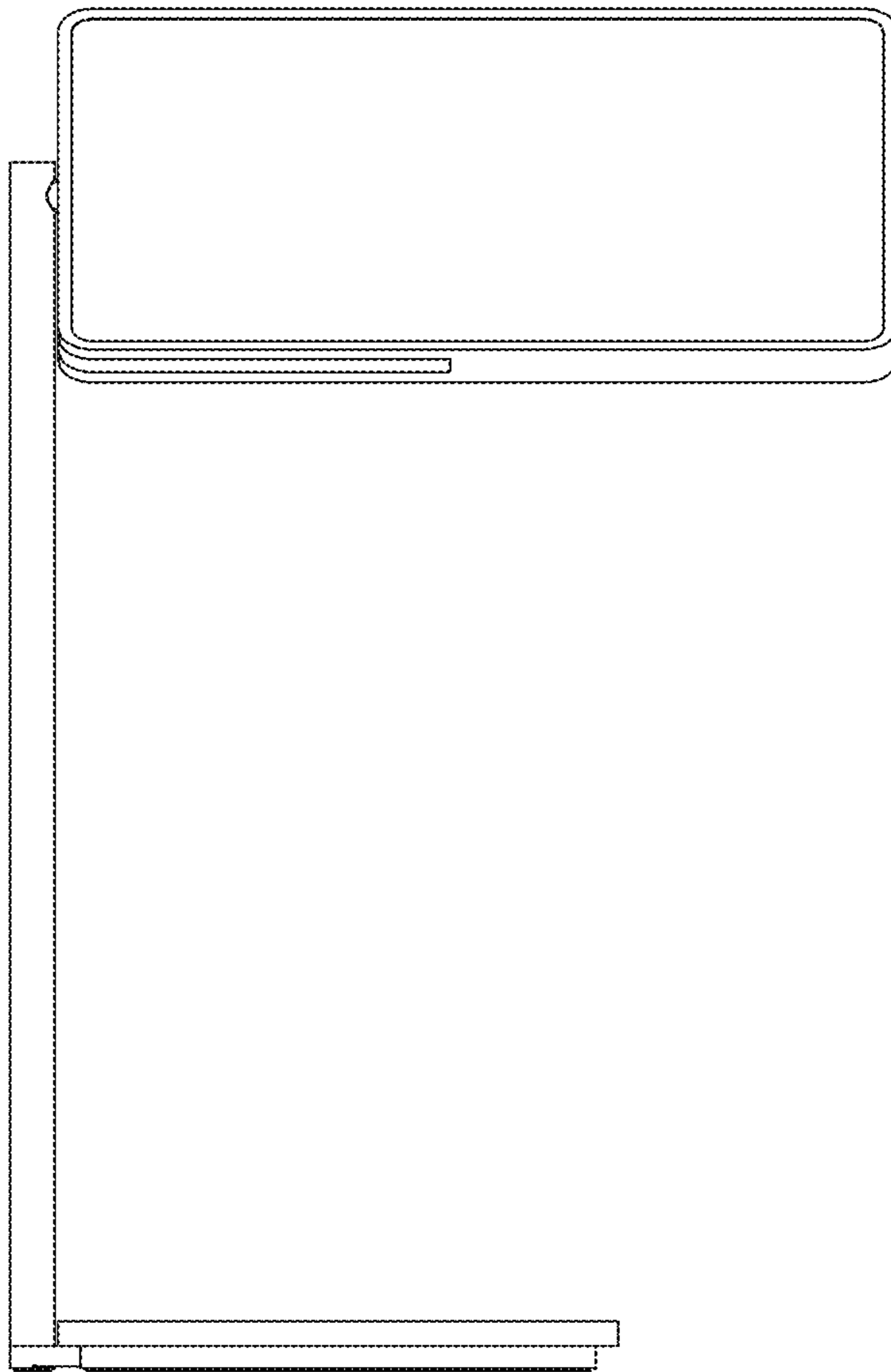


FIG. 3

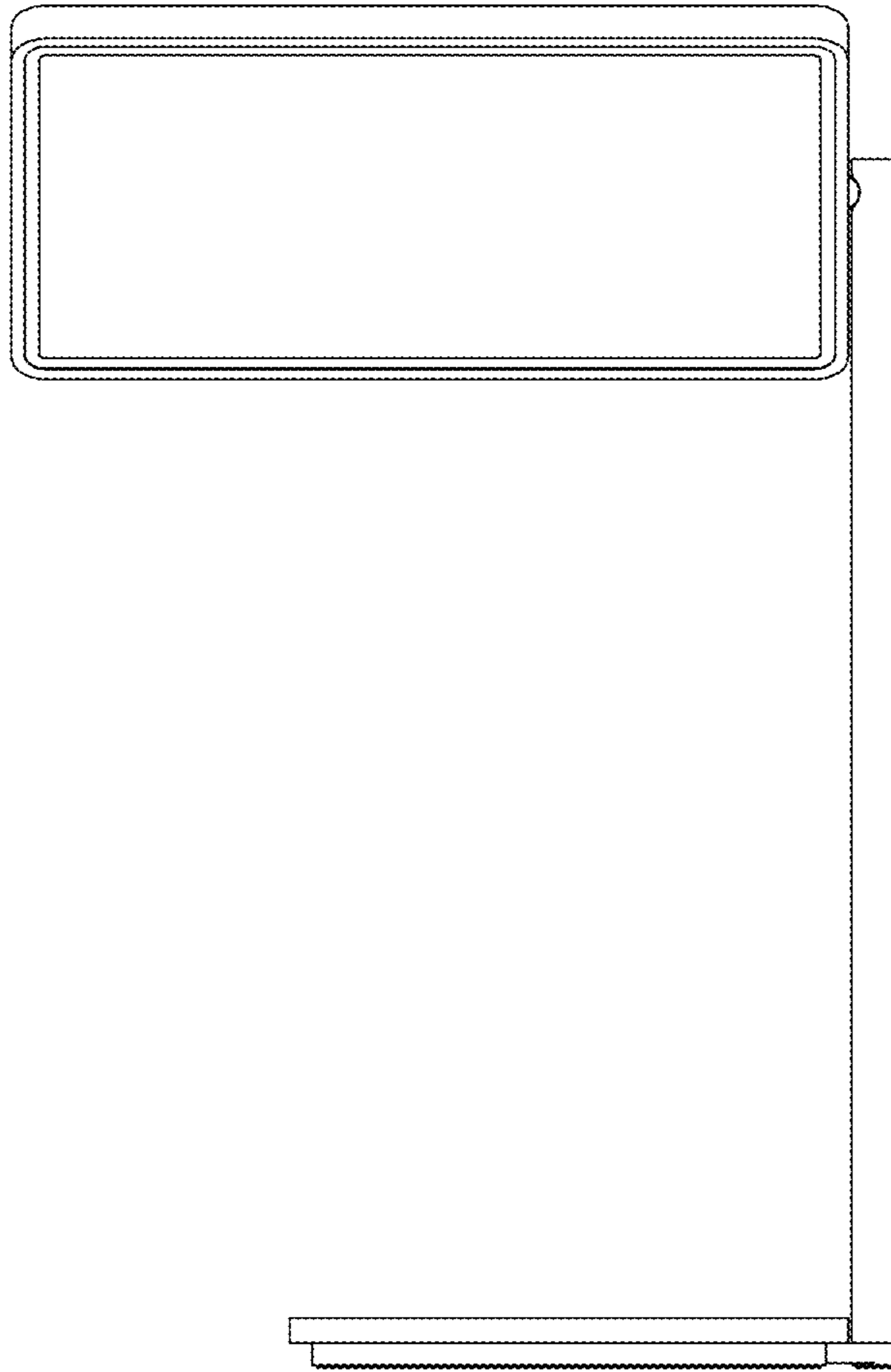


FIG. 4

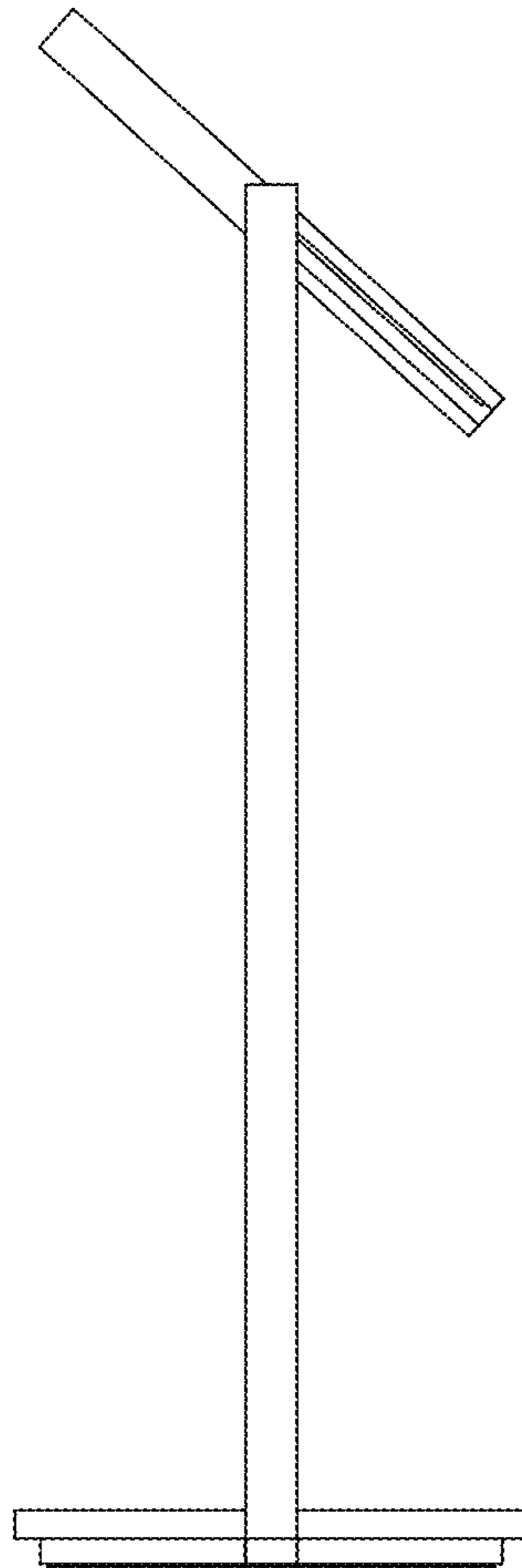


FIG. 5

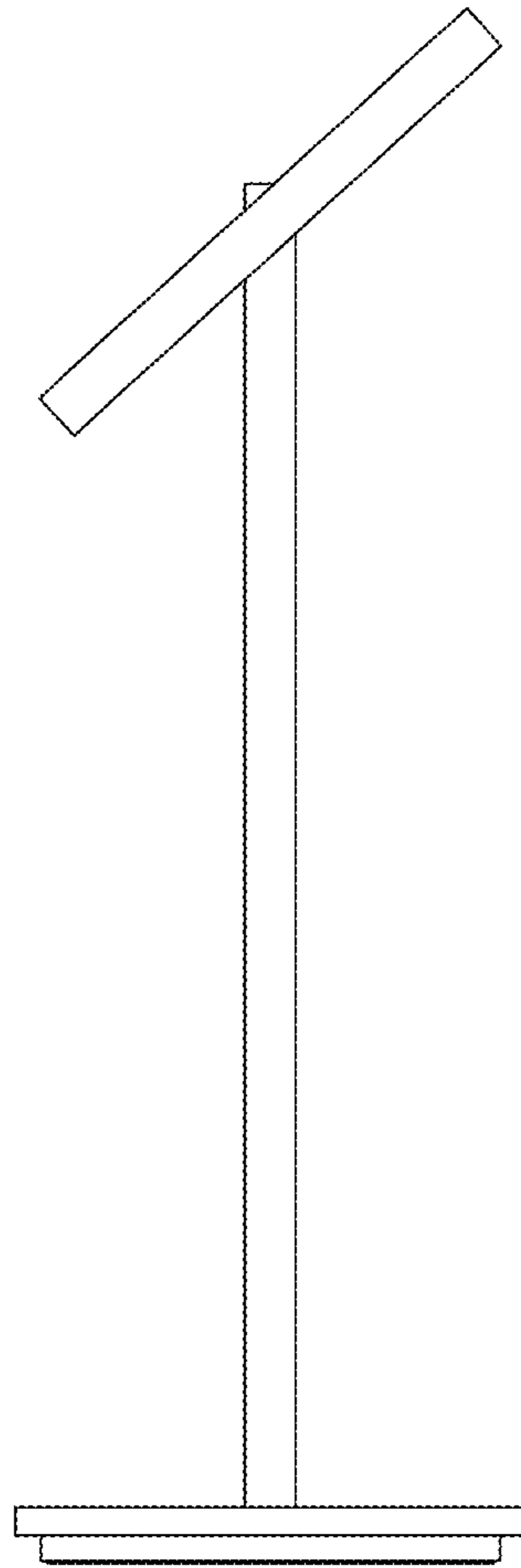


FIG. 6

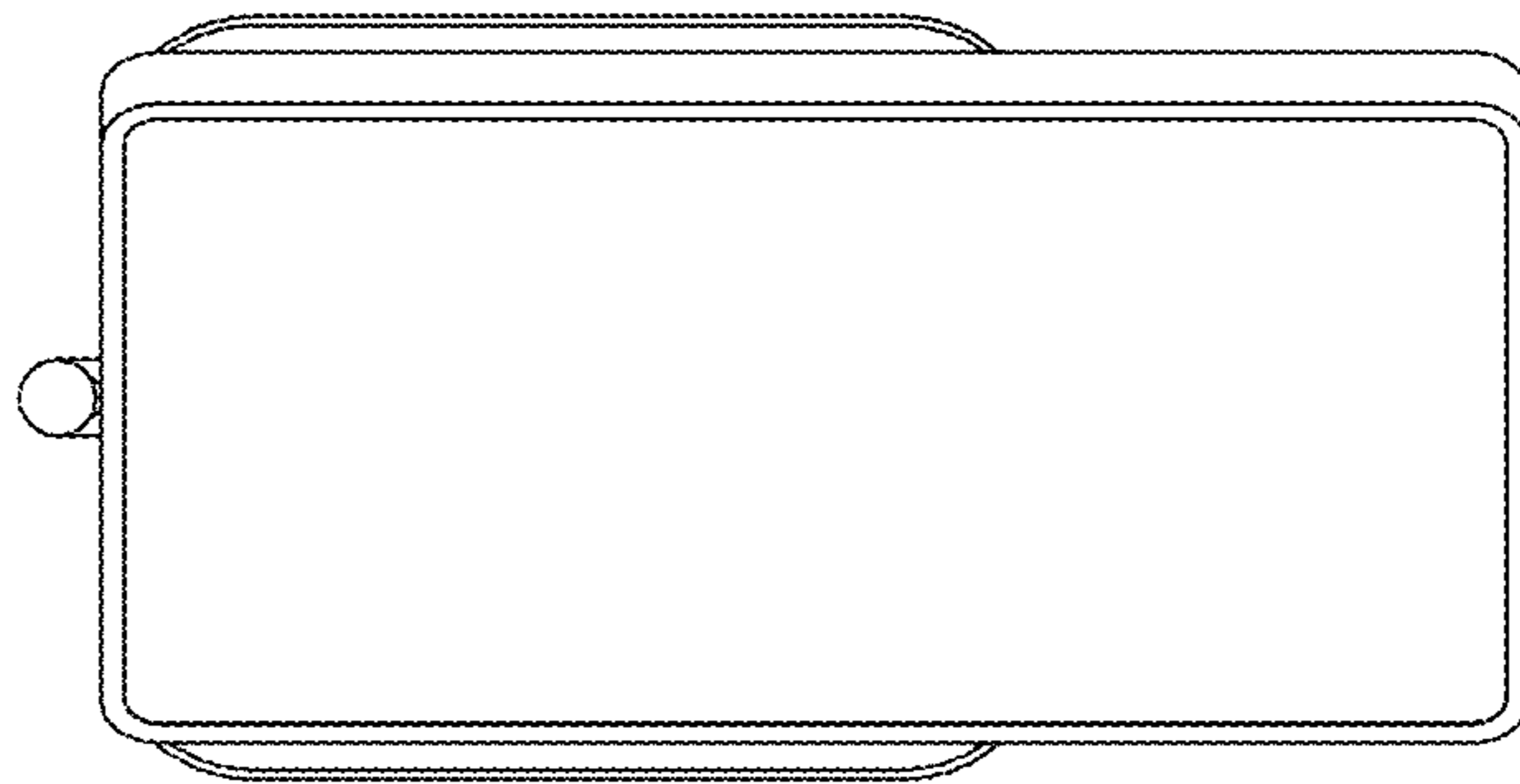


FIG. 7

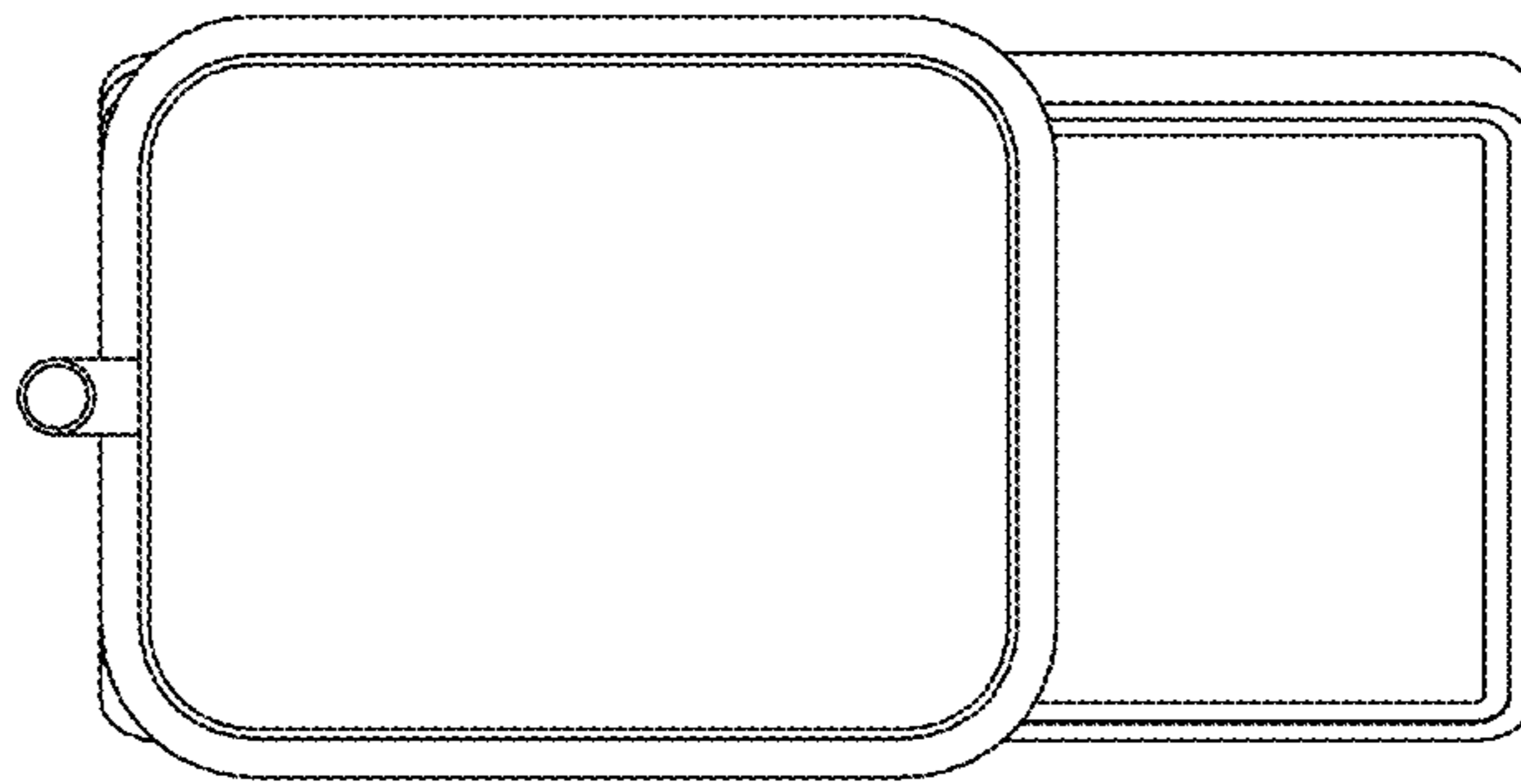


FIG. 8

