



US00D975041S

(12) **United States Design Patent** (10) **Patent No.:** **US D975,041 S**
Lee (45) **Date of Patent:** **** *Jan. 10, 2023**

(54) **TELEVISION**

FOREIGN PATENT DOCUMENTS

(71) Applicant: **LG ELECTRONICS INC.**, Seoul (KR)

WO WO-2021251549 A1 * 12/2021 F16M 11/125

Primary Examiner — Marie D. Fast Horse

(72) Inventor: **Nari Lee**, Seoul (KR)

(74) *Attorney, Agent, or Firm* — Birch, Stewart, Kolasch & Birch, LLP

(73) Assignee: **LG ELECTRONICS INC.**, Seoul (KR)

(57) **CLAIM**

The ornamental design for a television, as shown and described.

(*) Notice: This patent is subject to a terminal disclaimer.

DESCRIPTION

(**) Term: **15 Years**

FIG. 1 is a front, right side, perspective view of a television showing my new design;

(21) Appl. No.: **29/751,533**

FIG. 2 is a front view thereof;

(22) Filed: **Sep. 22, 2020**

FIG. 3 is a rear view thereof;

(30) **Foreign Application Priority Data**

Apr. 9, 2020 (KR) 30-2020-0015918

FIG. 4 is a left side view thereof;

(51) **LOC (14) Cl.** **14-03**

FIG. 5 is a right side view thereof;

(52) **U.S. Cl.**

USPC **D14/126**

FIG. 6 is a top view thereof;

(58) **Field of Classification Search**

USPC D14/126, 128, 129, 130, 132, 133, 159, D14/239, 307, 336, 371, 372, 374, 375, D14/376, 383, 448, 451, 496; D20/10, D20/18, 19, 21, 39; D16/241; D26/61, D26/62

FIG. 7 is a bottom view thereof;

CPC G06F 1/1601; G06F 1/1605; G06F 1/1607; G06F 1/1637; G06F 1/1642; G06F 1/182; G06F 1/20; G06F 2200/1612; G06F 3/0421;

FIG. 8 is another front, right side perspective view thereof, shown in an alternate state of use in which the display part is tilted upward relative to the stand;

(Continued)

FIG. 9 is a front, right side, perspective view thereof;

(56) **References Cited**

U.S. PATENT DOCUMENTS

D229,231 S * 11/1973 Beeren D26/62
D393,853 S * 4/1998 Maas D14/126

FIG. 10 is a front view thereof;

FIG. 11 is a rear view thereof;

FIG. 12 is a left side view thereof;

FIG. 13 is a right side view thereof;

FIG. 14 is a top view thereof;

FIG. 15 is a bottom view thereof;

FIG. 16 is another front, right side perspective view of the television of FIG. 1, shown in another alternate state of use in which the display part is rotated to portrait mode and tilted upward;

FIG. 17 is a front, right side, perspective view thereof;

FIG. 18 is a front view thereof;

FIG. 19 is a rear view thereof;

FIG. 20 is a left side view thereof;

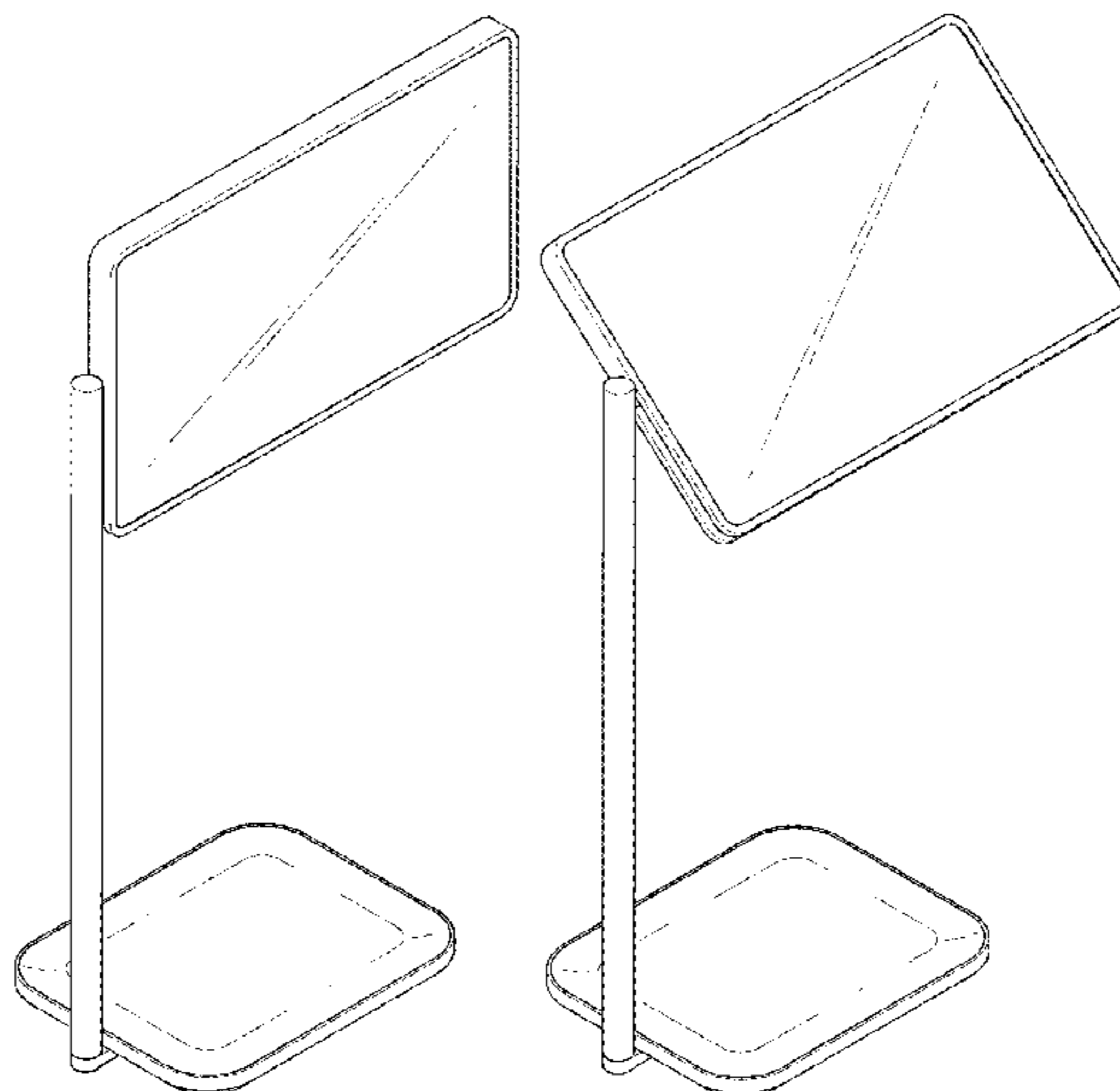
FIG. 21 is a right side view thereof;

FIG. 22 is a top view thereof; and,

FIG. 23 is a bottom view.

(Continued)

1 Claim, 23 Drawing Sheets



(58) **Field of Classification Search**

CPC .. G06F 3/0428; G06F 3/0488; G06F 3/1446;
 H04N 5/64; H04N 1/00522; H05K 7/18;
 H05K 7/183; H05K 7/186; A47B 81/064;
 A47B 51/00; A47B 21/0073

See application file for complete search history.

(56) **References Cited**

U.S. PATENT DOCUMENTS

D587,251	S	*	2/2009	Morello	D14/239
D597,975	S	*	8/2009	Ohno	D14/126
D671,083	S	*	11/2012	Kim	D14/126
D691,149	S	*	10/2013	Breton	D14/447
D725,107	S	*	3/2015	Yeon	D14/376
D725,108	S	*	3/2015	Yeon	D14/376
D727,995	S	*	4/2015	Vilcovsky	D6/310
D762,650	S	*	8/2016	Dang	D14/434
D789,099	S	*	6/2017	Gorman	D6/312
D790,868	S	*	7/2017	Gorman	D6/310
D808,965	S	*	1/2018	Bergeron-Mirsky	D14/371
D824,354	S	*	7/2018	Kymm	D14/126
D826,887	S	*	8/2018	Kymm	D14/126
D852,274	S	*	6/2019	Lim	D20/39
D918,195	S	*	5/2021	Dong	D14/307
D928,703	S	*	8/2021	Liao	D13/108
D931,363	S	*	9/2021	Tseng	D18/4.5
D949,837	S	*	4/2022	Lee	D14/239
D950,532	S	*	5/2022	Lee	D14/239
D958,125	S	*	7/2022	Lee	D14/239
D958,777	S	*	7/2022	Lee	D14/239
2021/0382522	A1	*	12/2021	Chang	G06F 1/1607

* cited by examiner

FIG. 1

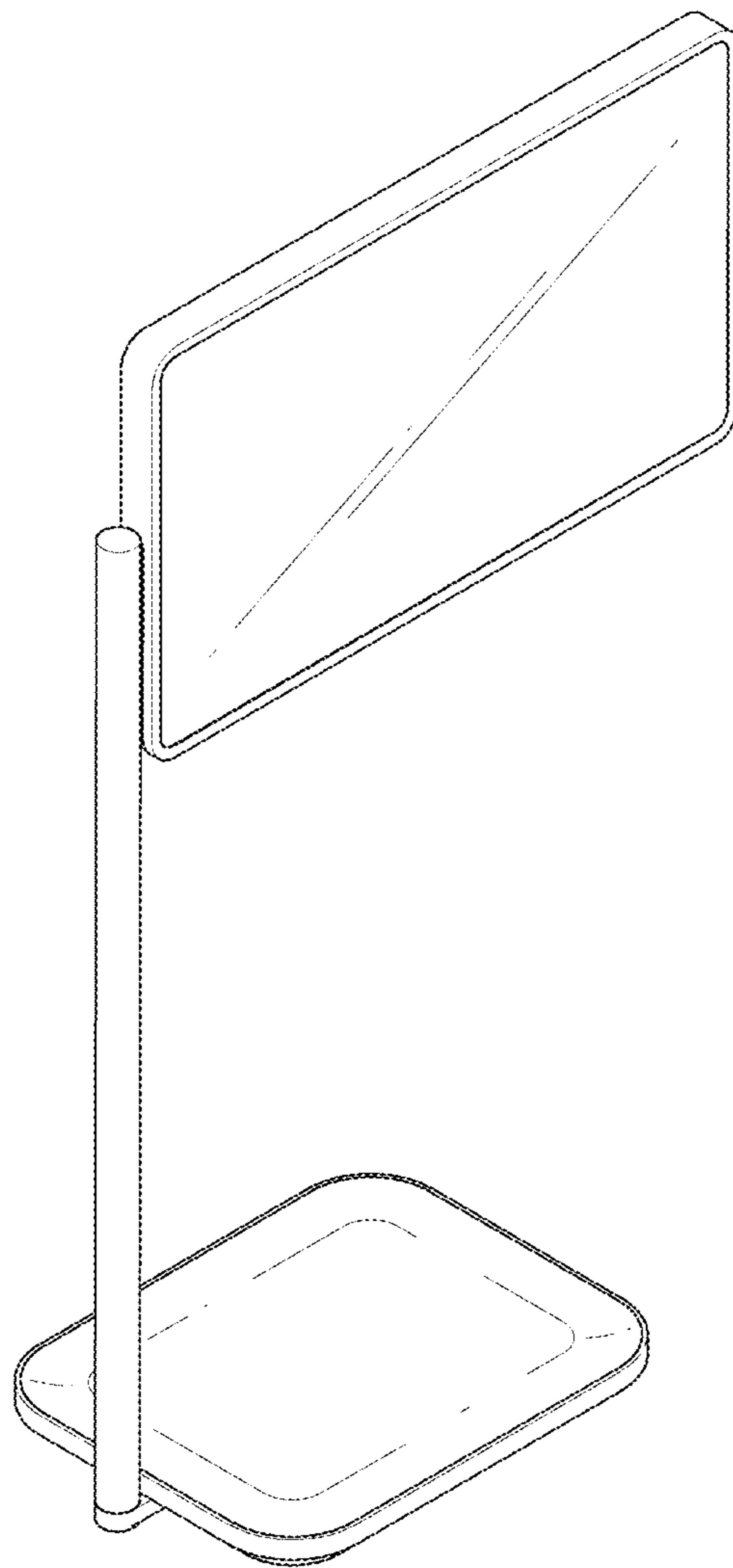


FIG. 2

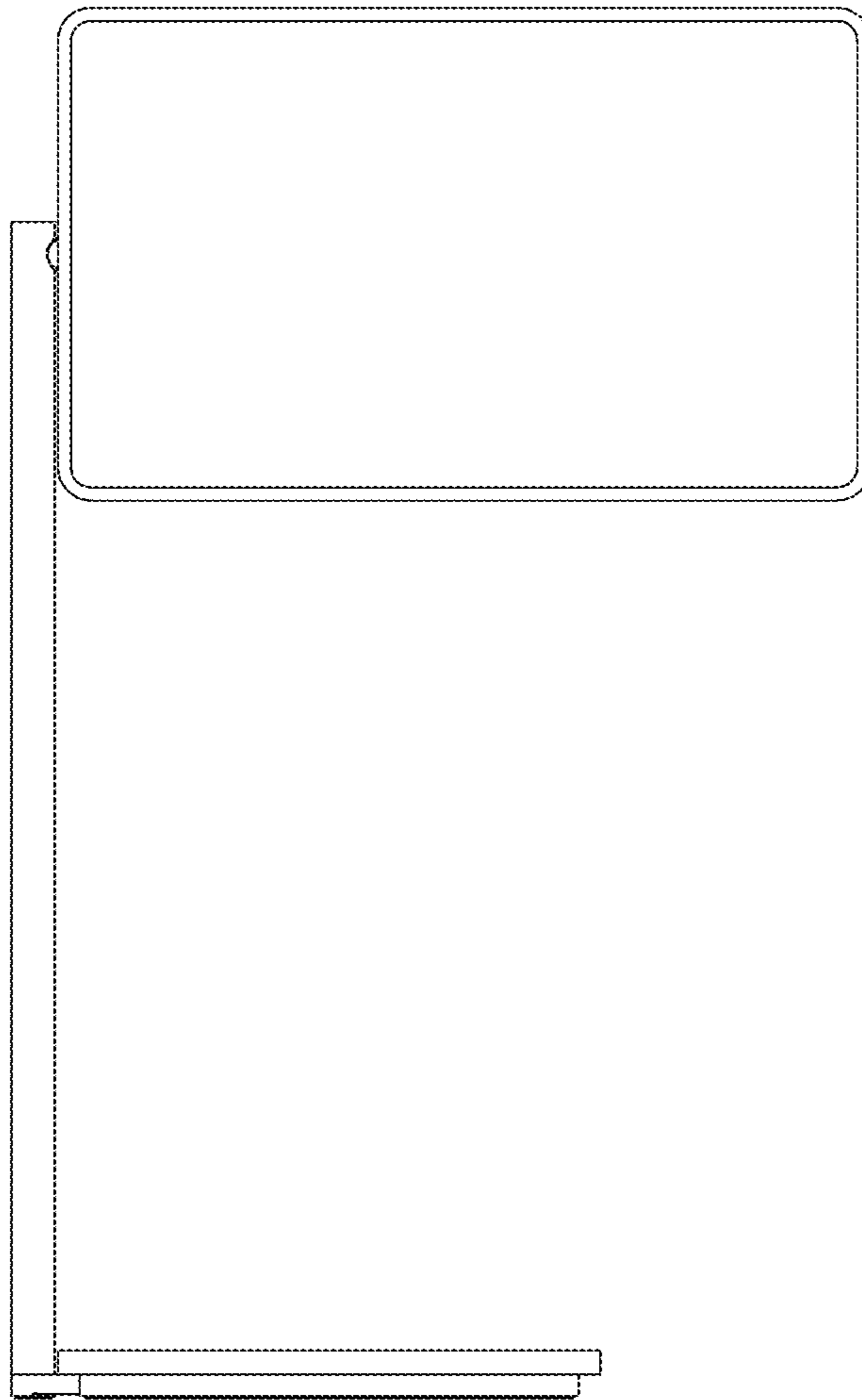


FIG. 3

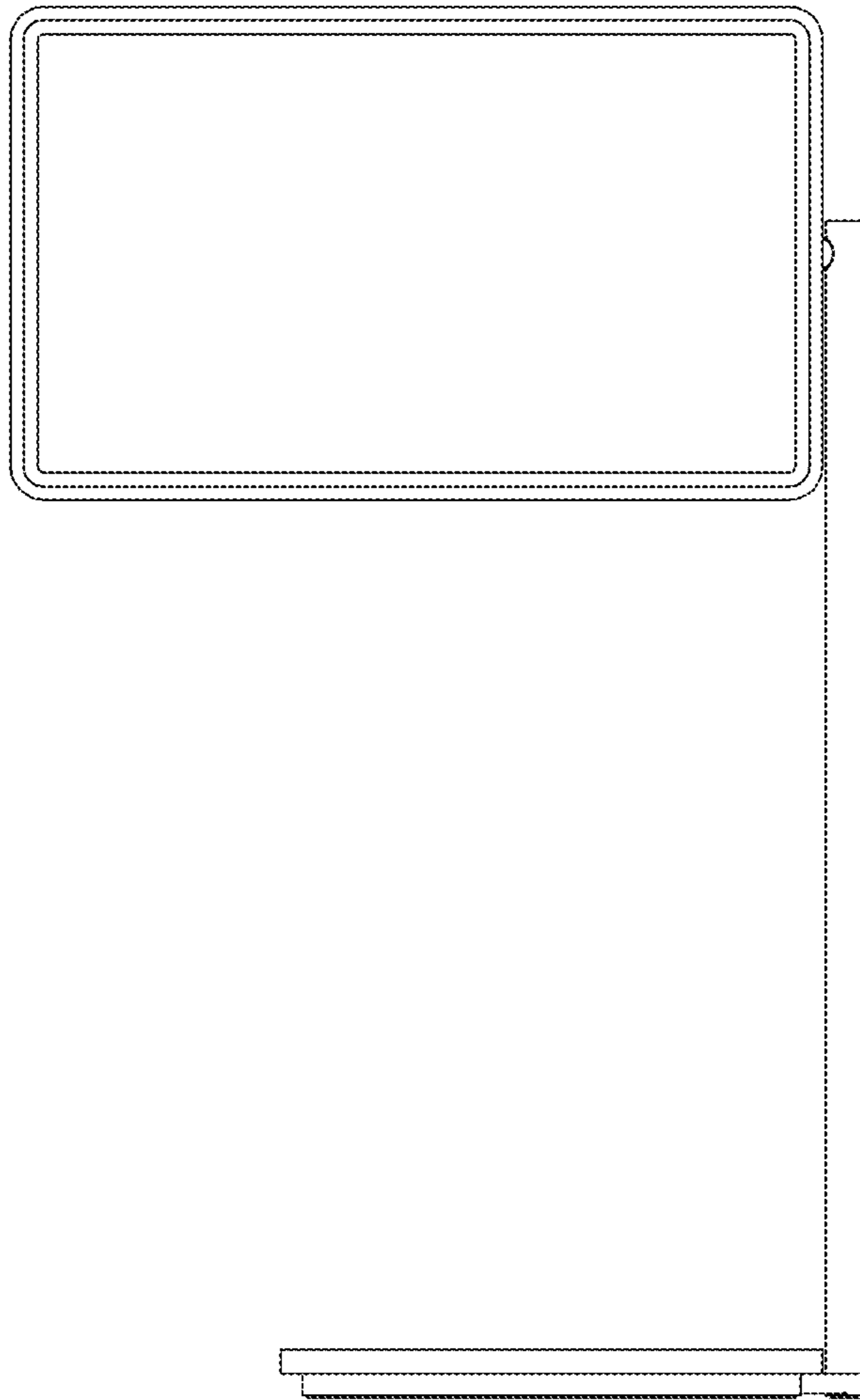


FIG. 4

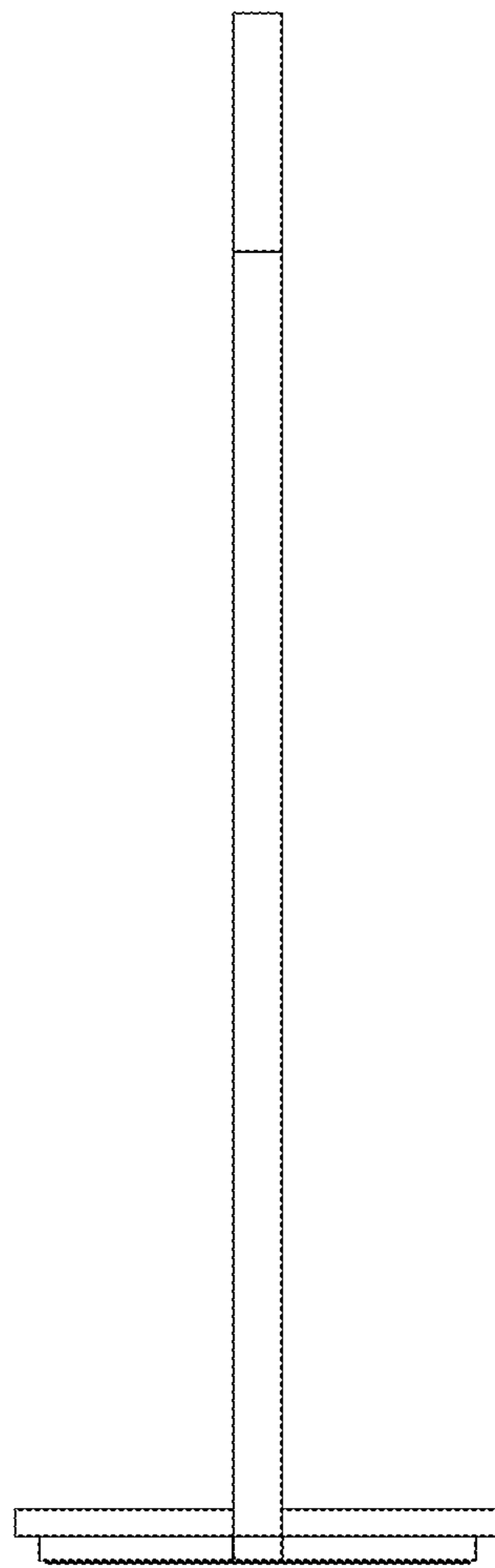


FIG. 5

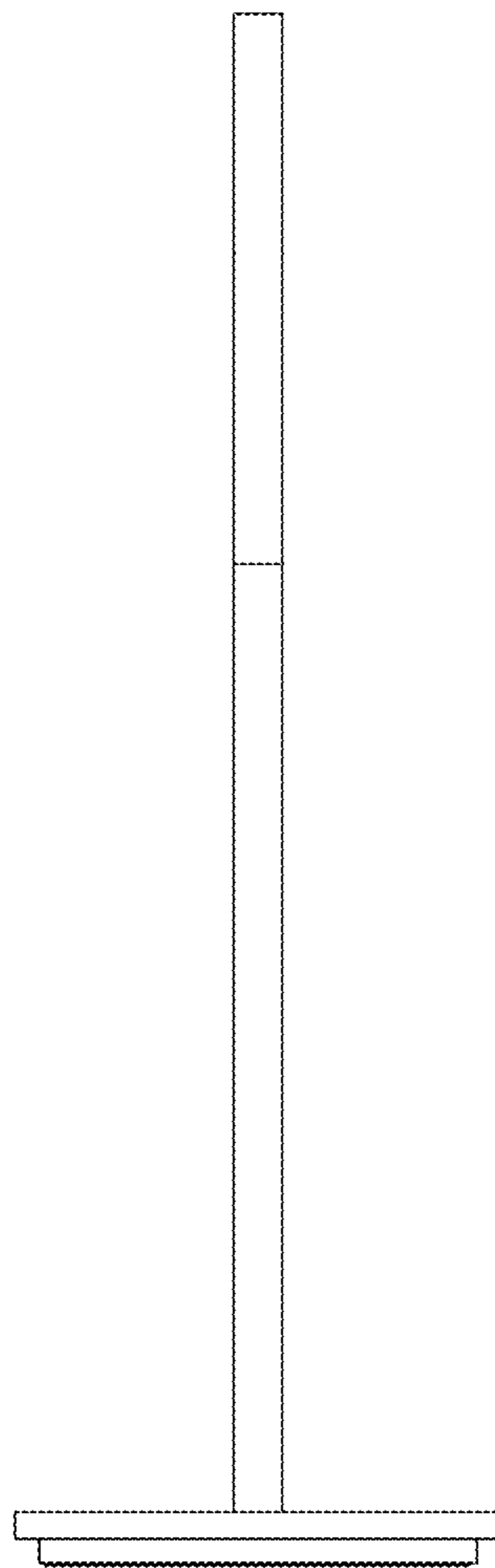


FIG. 6

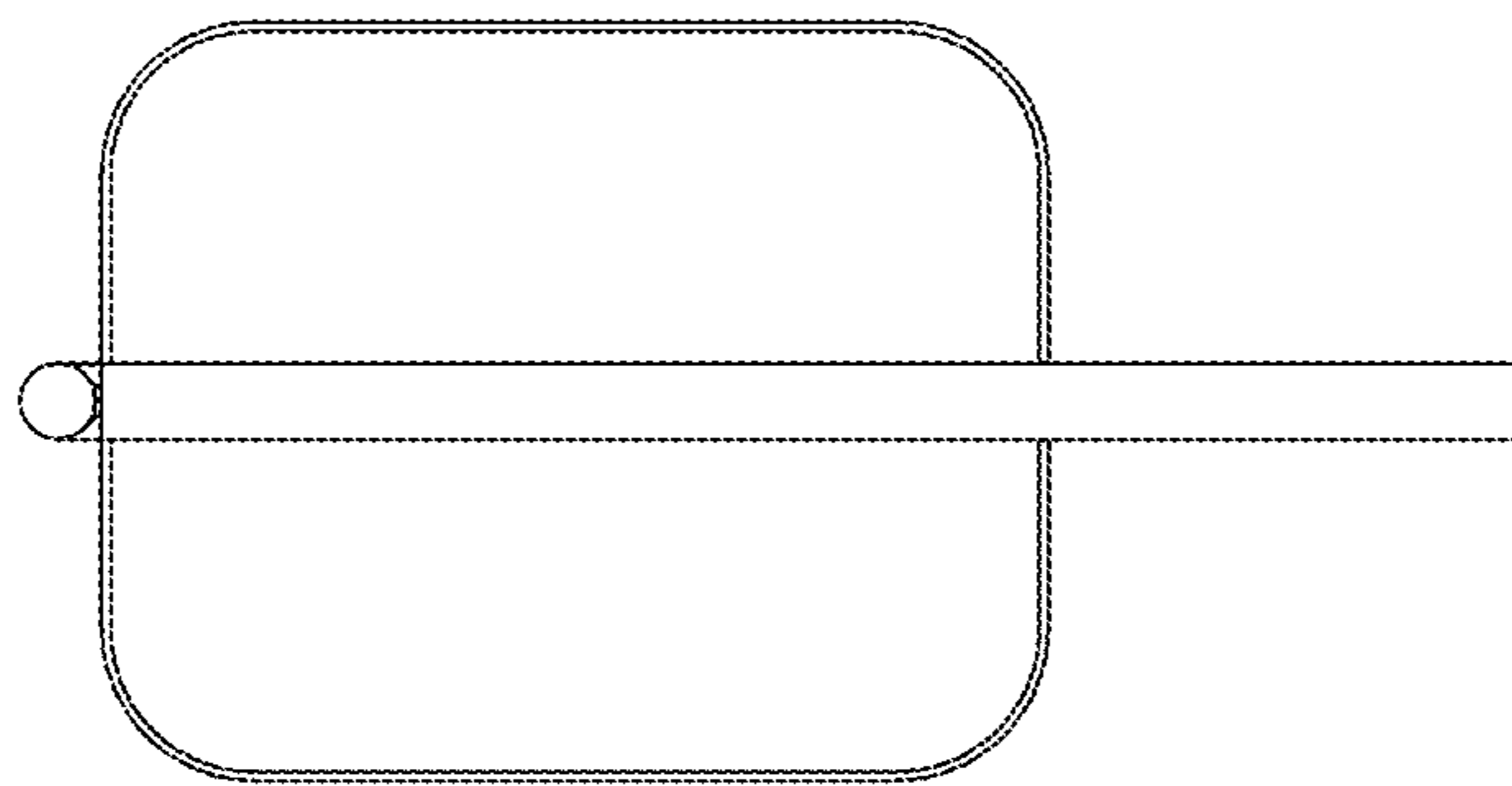


FIG. 7

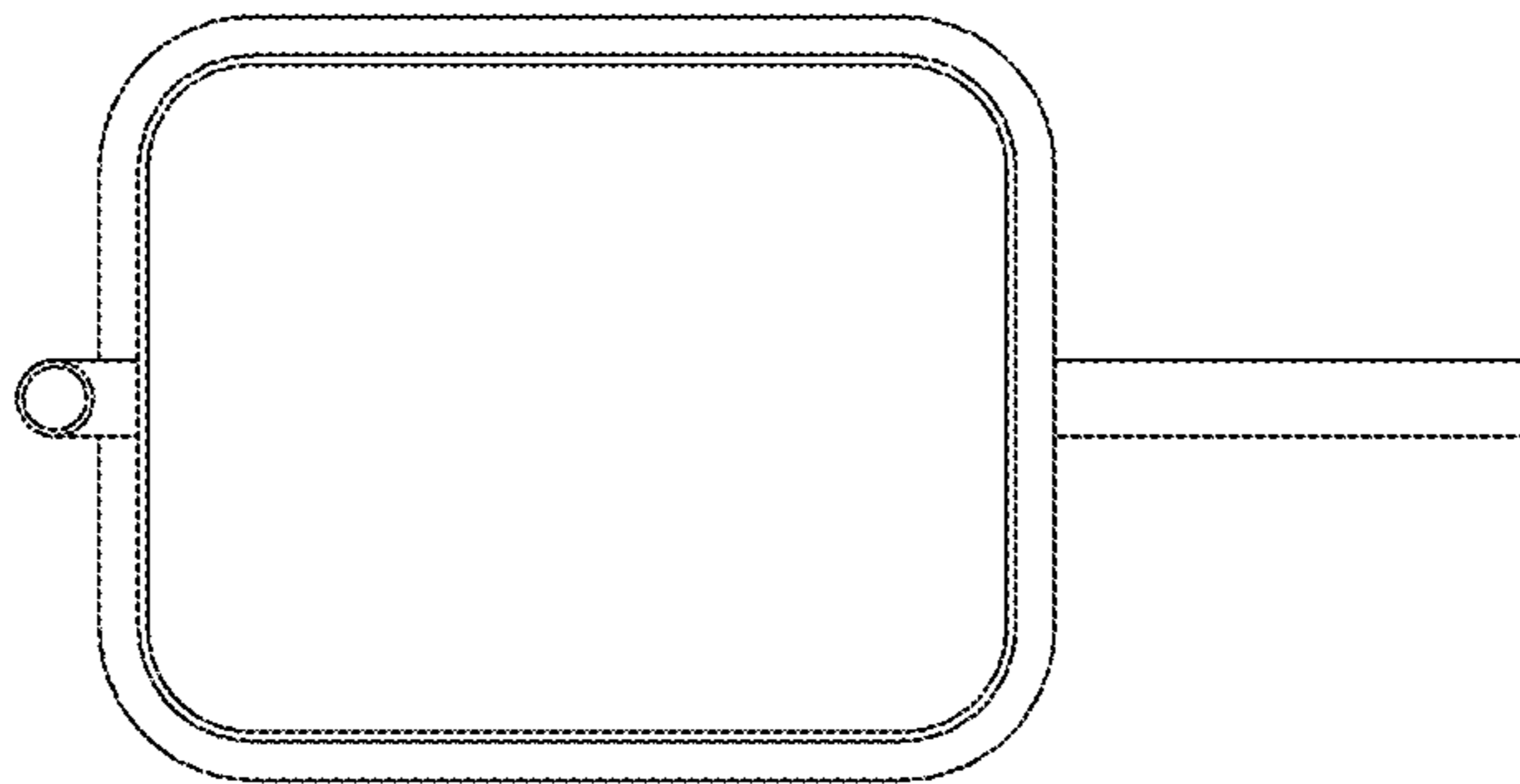


FIG. 8

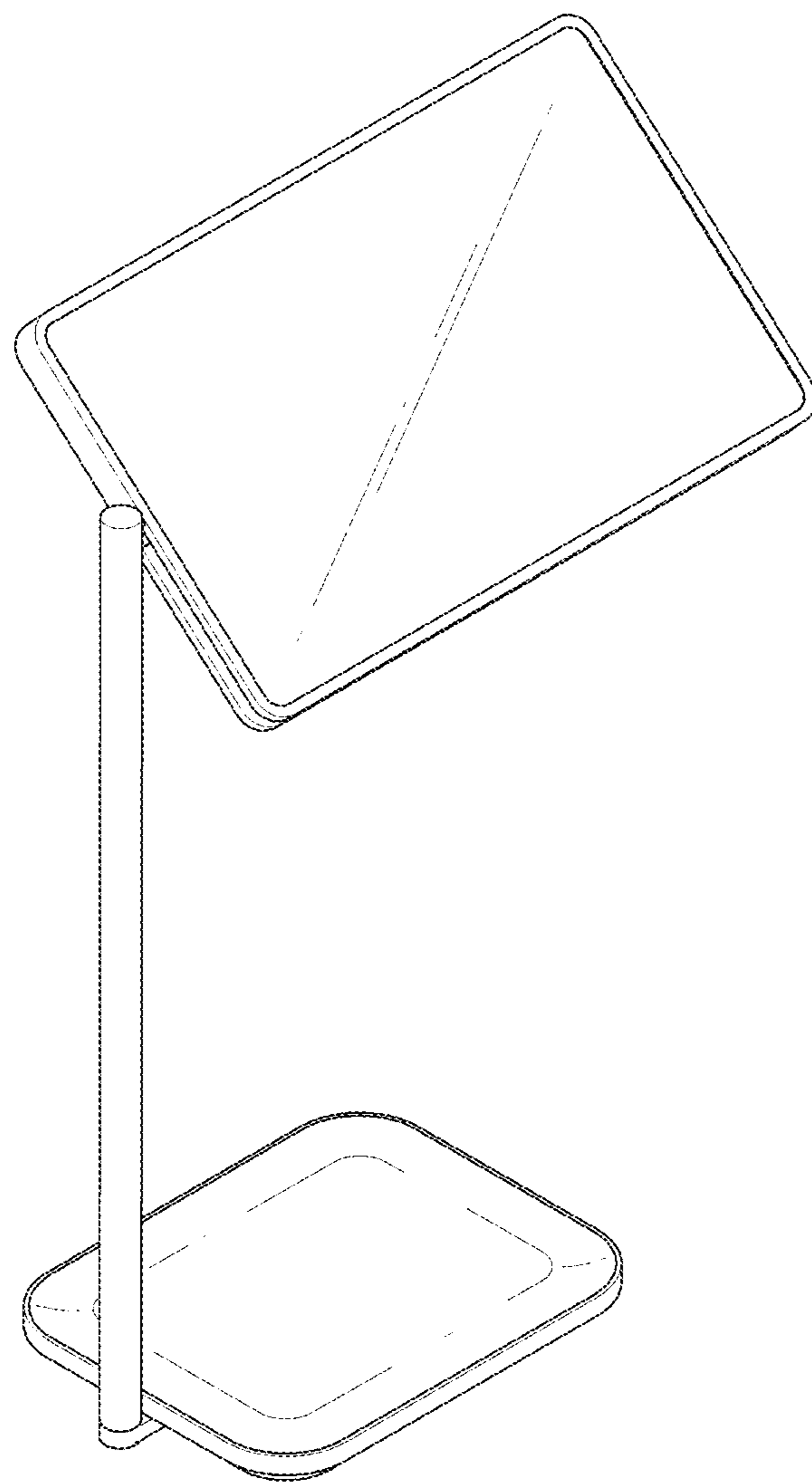


FIG. 9

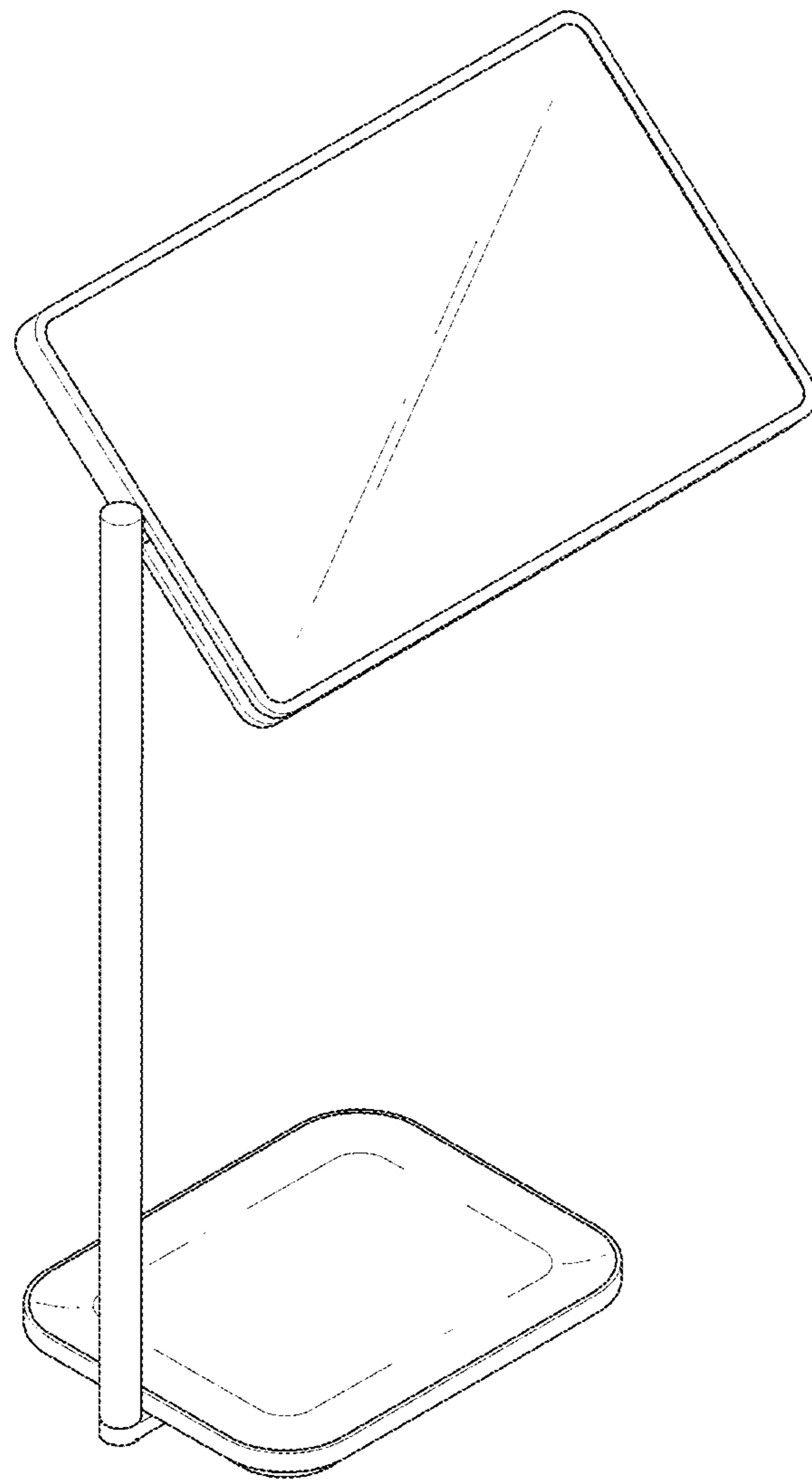


FIG. 10

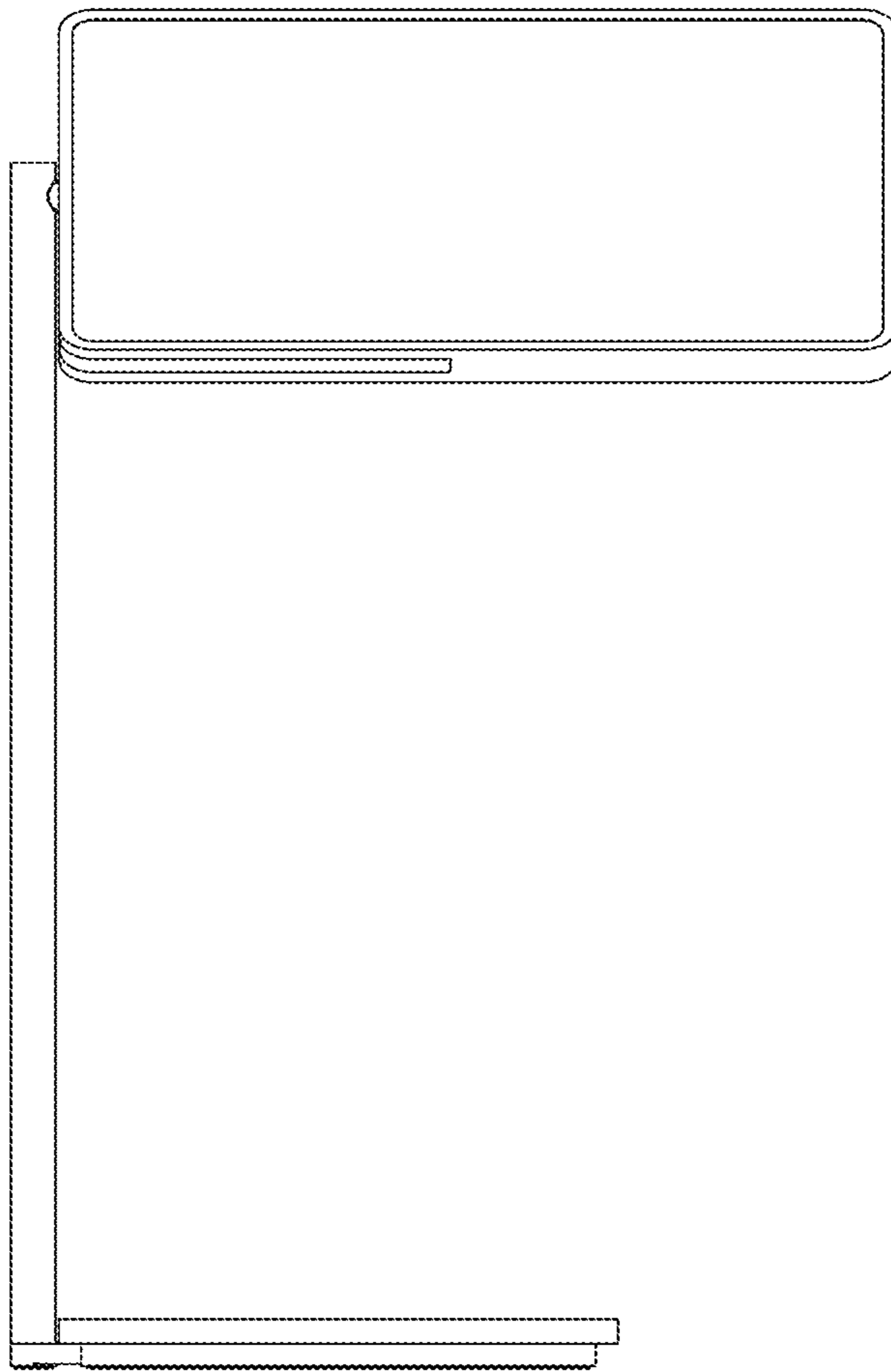


FIG. 11

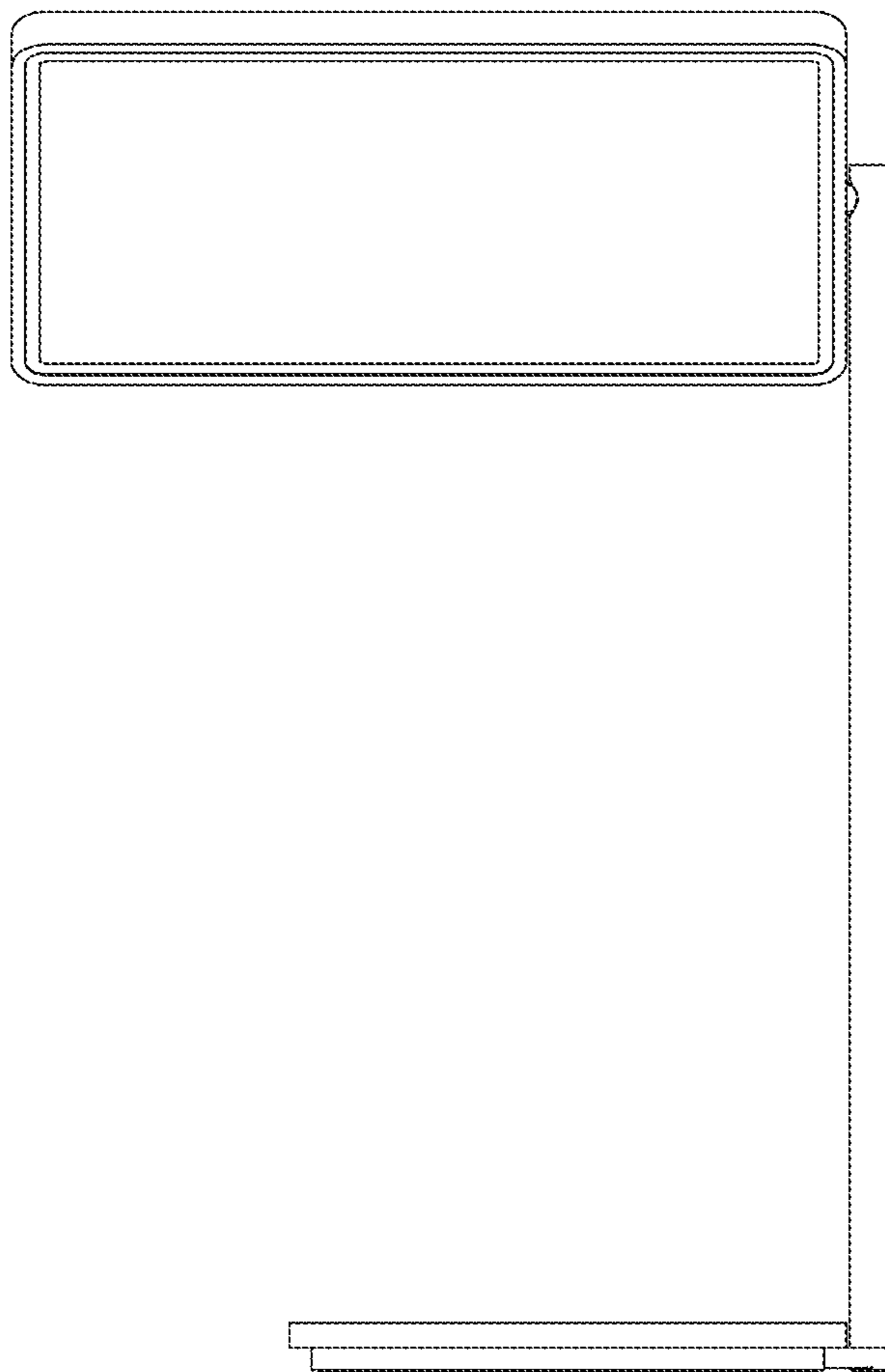


FIG. 12

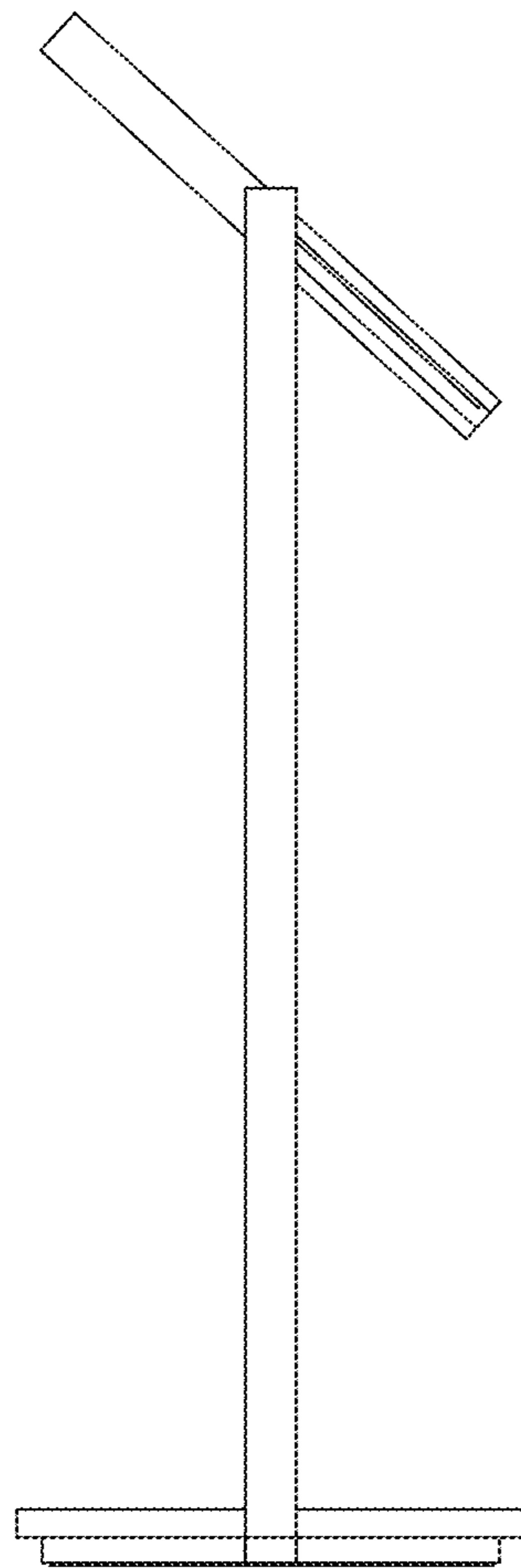


FIG. 13

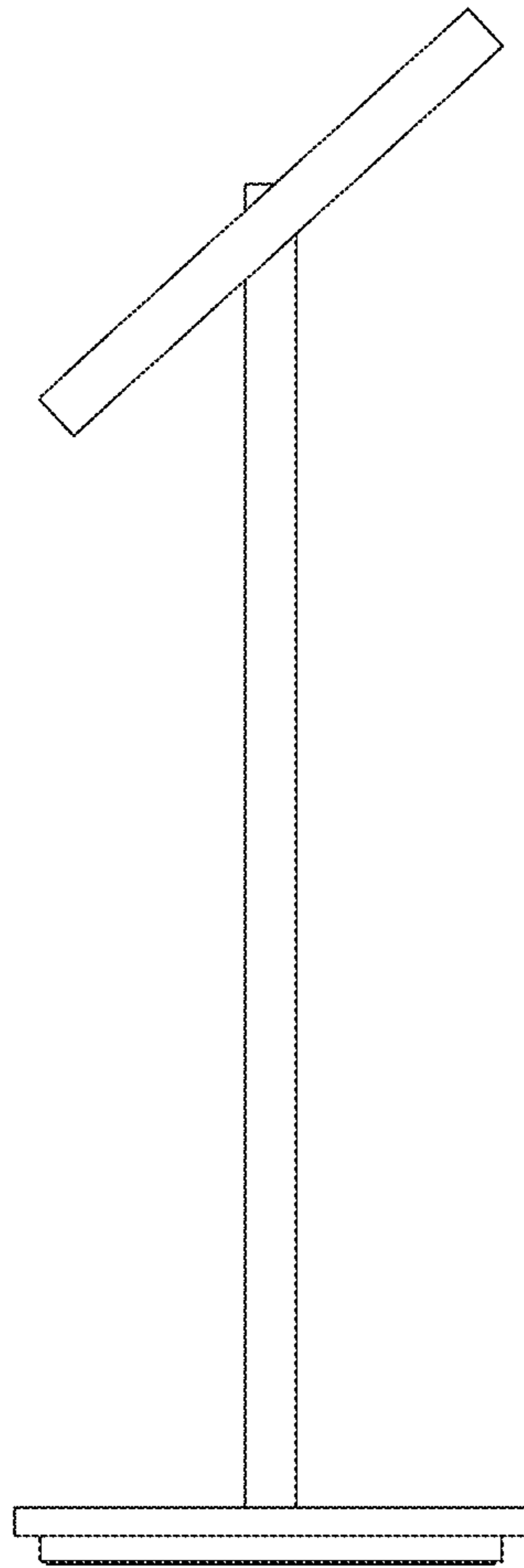


FIG. 14

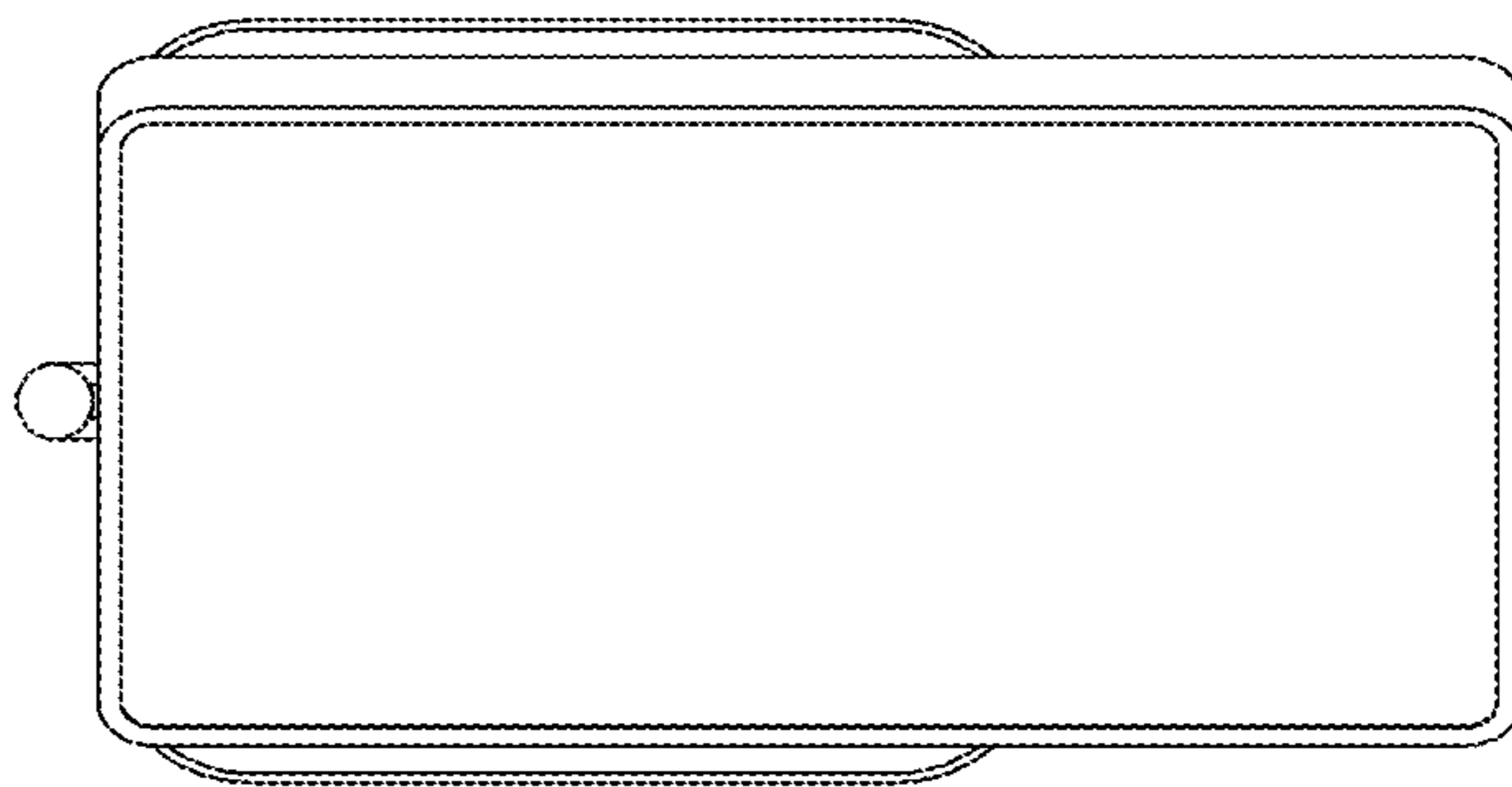


FIG. 15

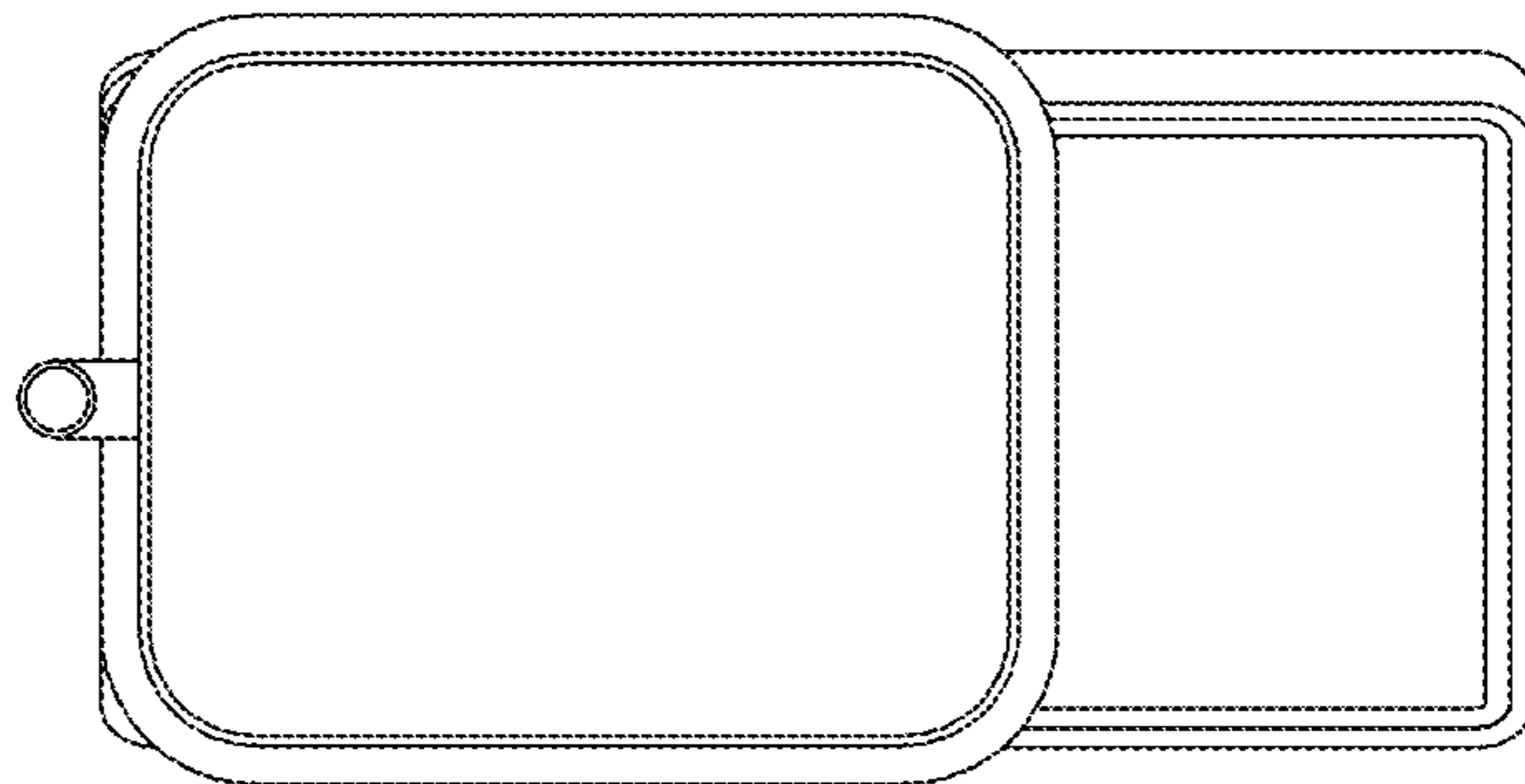


FIG. 16

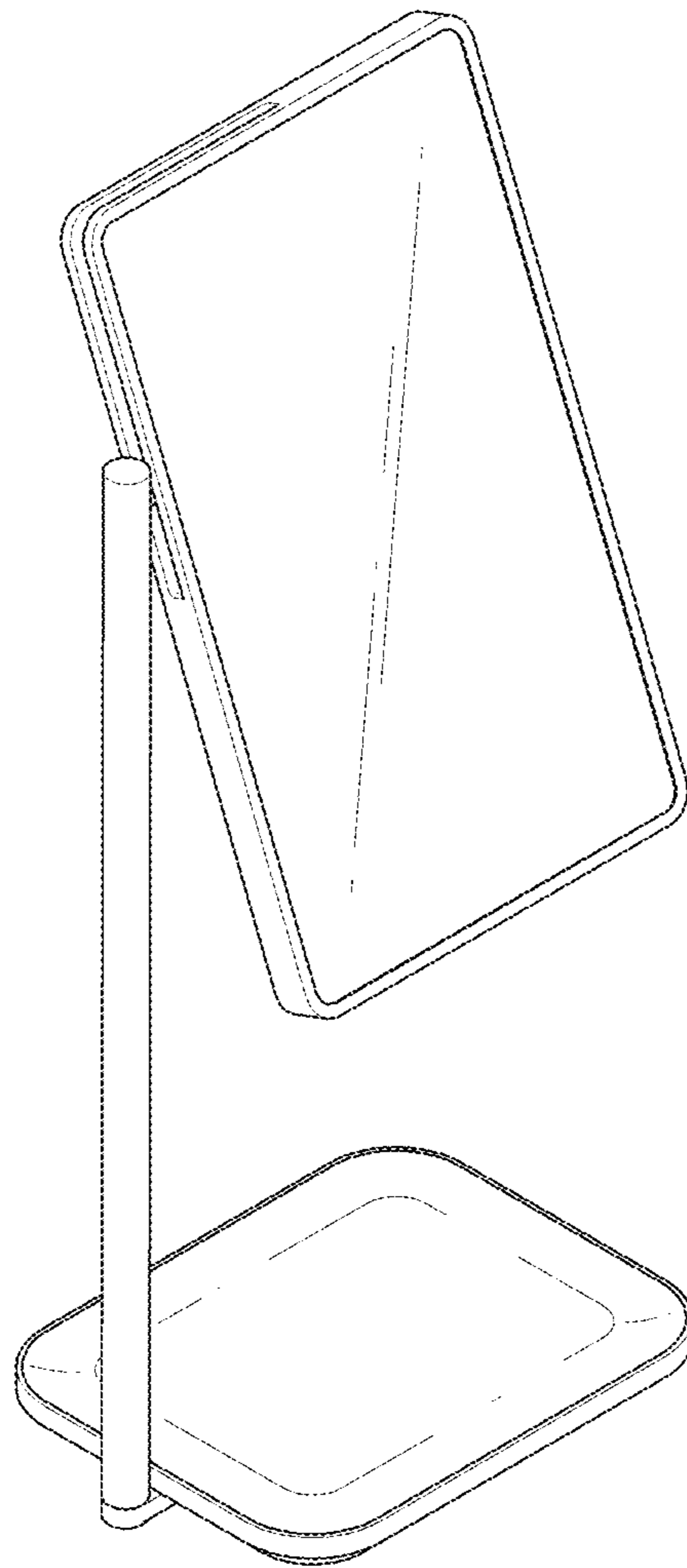


FIG. 17

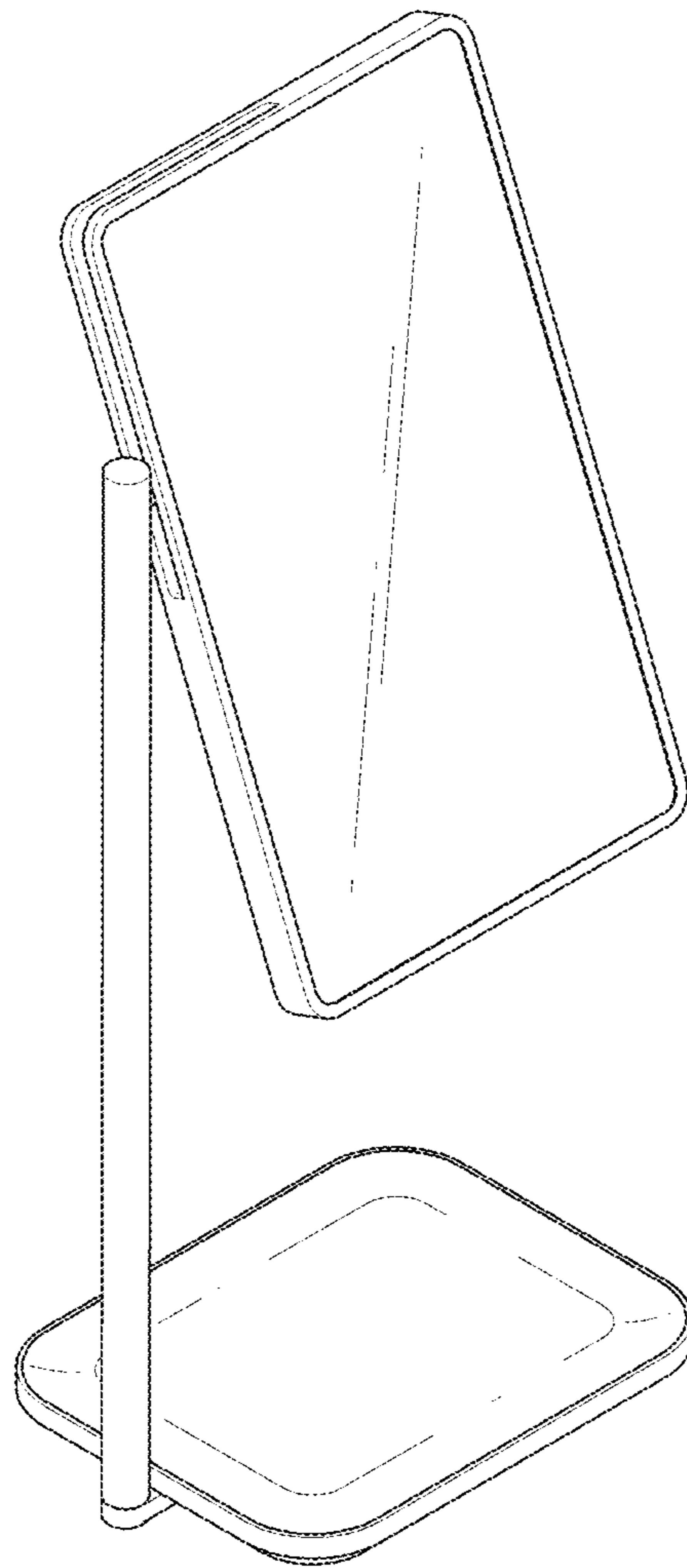


FIG. 18

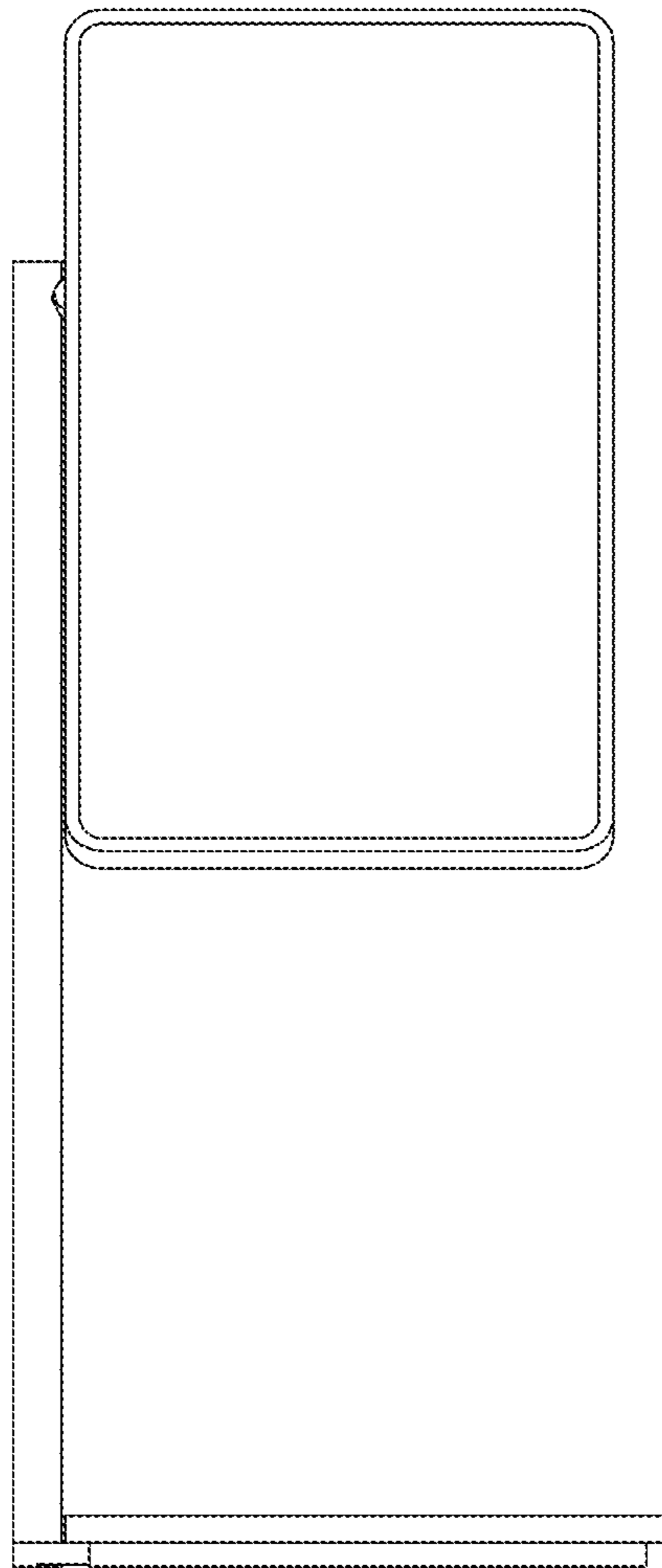


FIG. 19

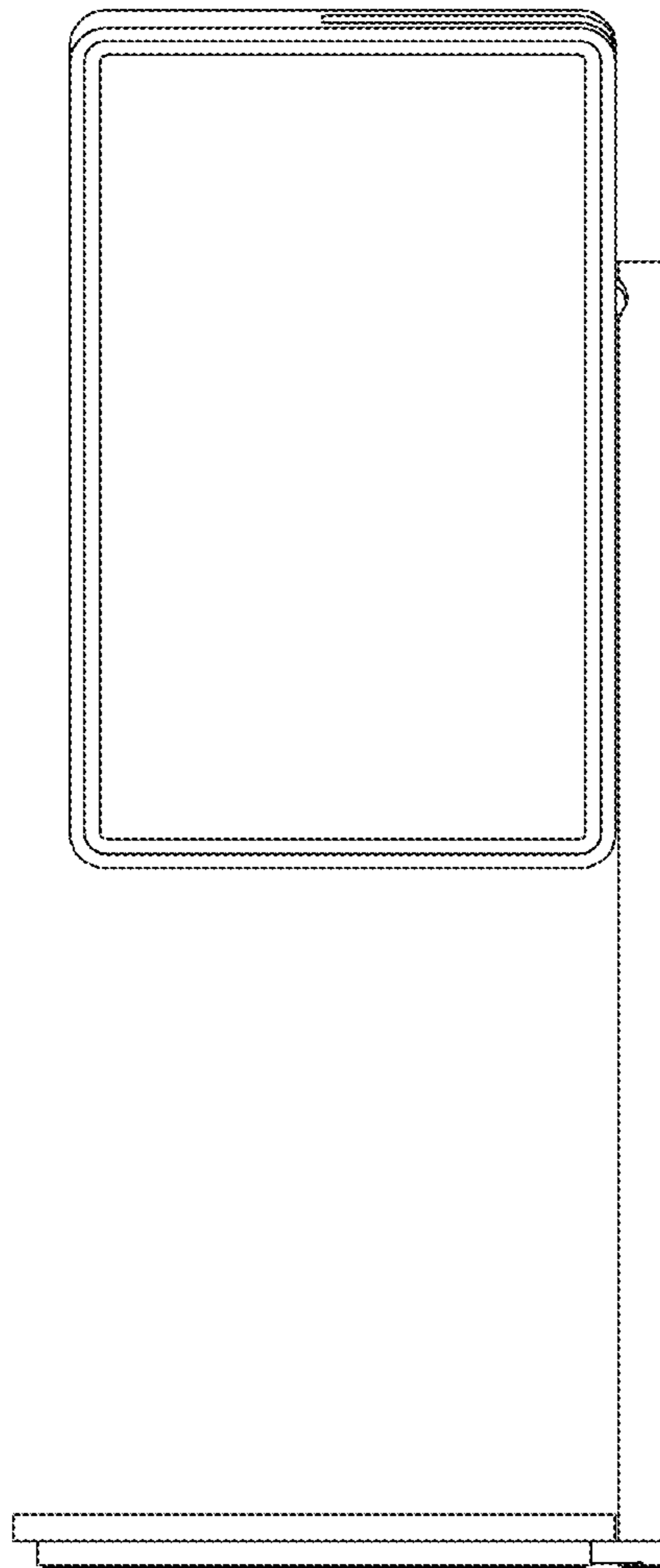


FIG. 20

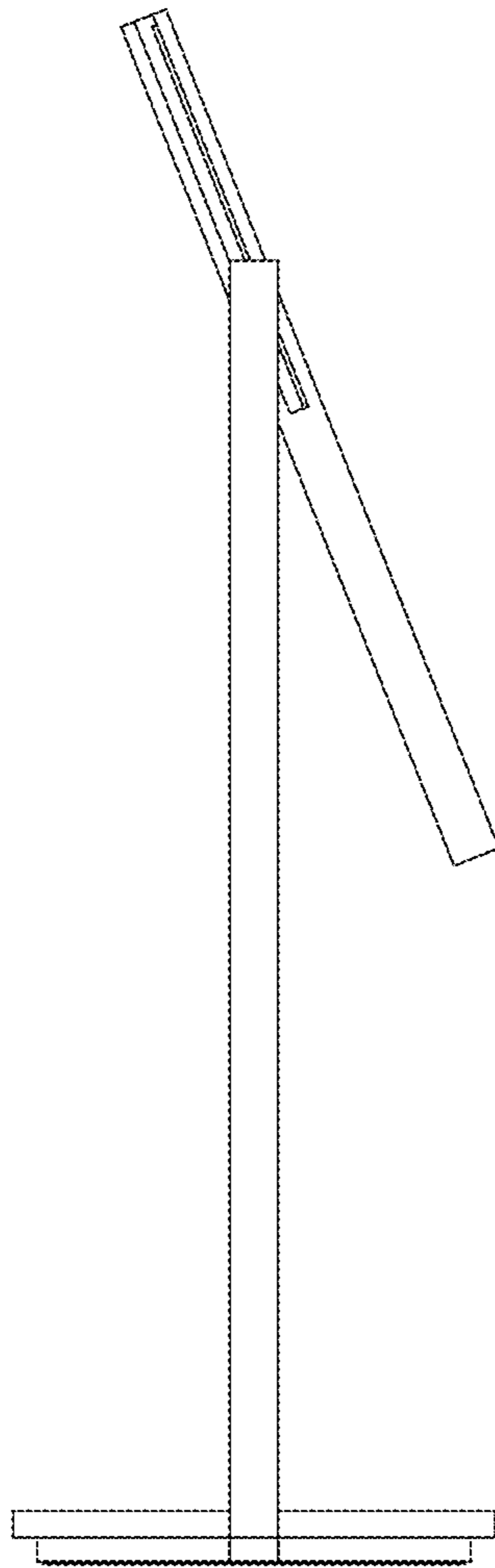


FIG. 21

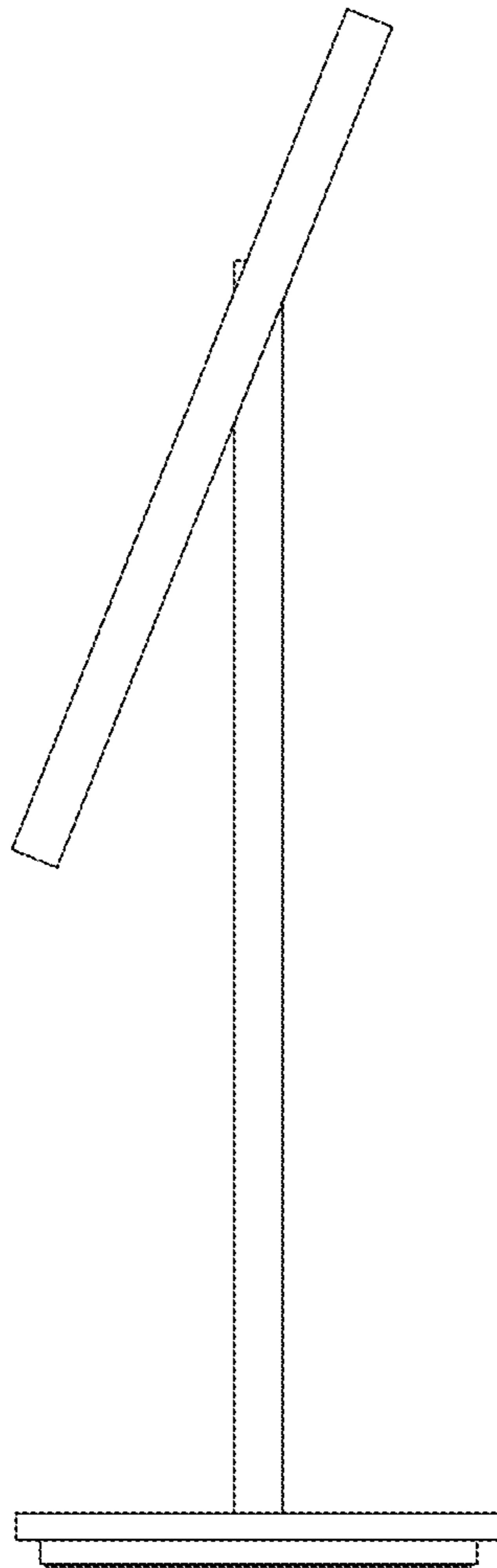


FIG. 22

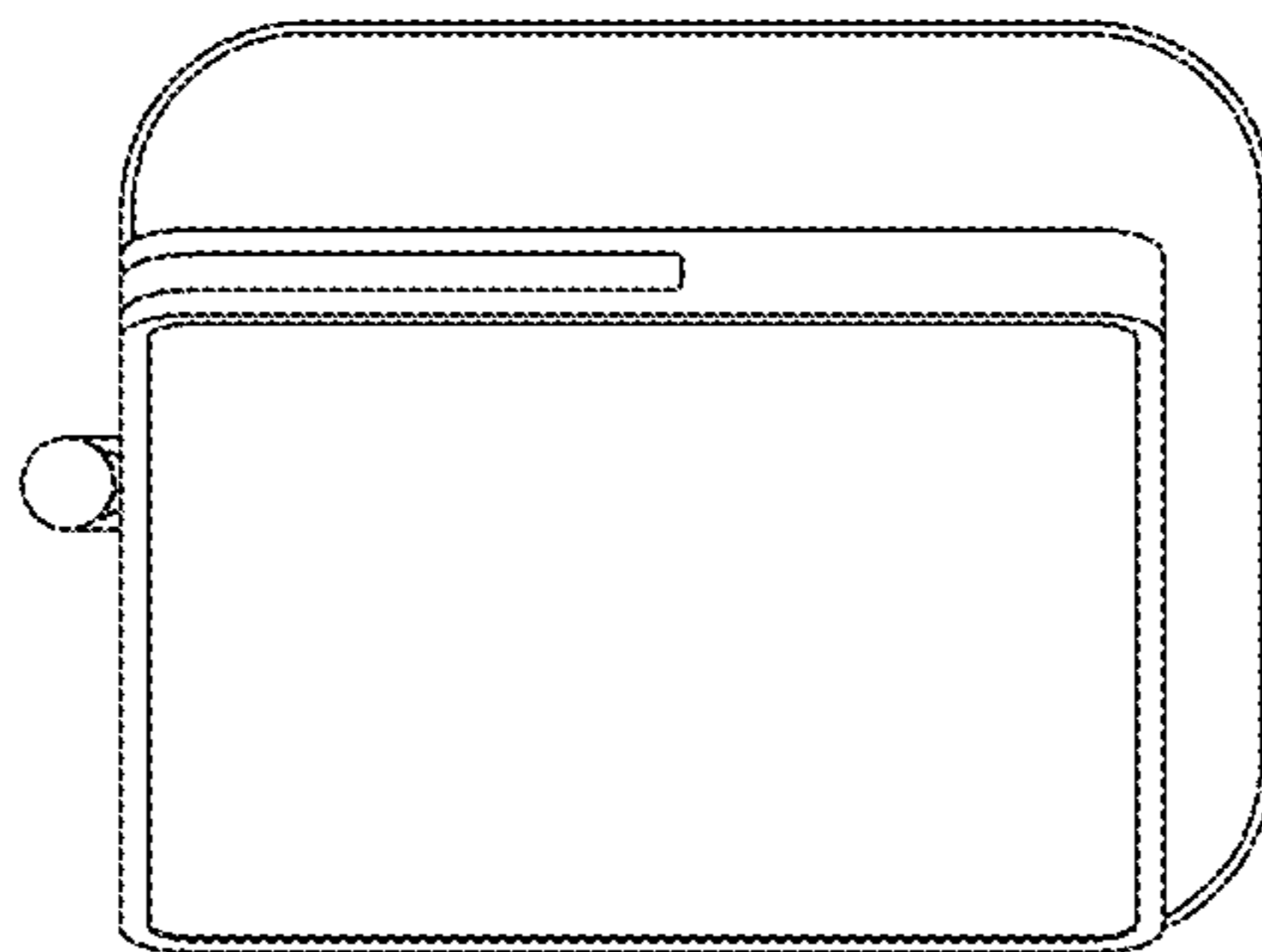


FIG. 23

