



US00D975039S

(12) **United States Design Patent** (10) **Patent No.:** **US D975,039 S**
Smith (45) **Date of Patent:** **** Jan. 10, 2023**

(54) **DISPLAY DEVICE**
(71) Applicant: **Johnson Controls Technology Company**, Auburn Hills, MI (US)
(72) Inventor: **Damon Bryan Smith**, Alto, GA (US)
(73) Assignee: **Johnson Controls Tyco IP Holdings LLP**, Milwaukee, WI (US)
(**) Term: **15 Years**
(21) Appl. No.: **29/746,938**
(22) Filed: **Aug. 18, 2020**

D648,642 S 11/2011 Wallaert et al.
D680,524 S * 4/2013 Feng D14/341
D684,872 S 6/2013 Bias et al.
D687,388 S 8/2013 Baumgartner et al.
D697,910 S * 1/2014 Bianco D14/371
8,802,981 B2 8/2014 Wallaert et al.
D717,673 S * 11/2014 Eyring D10/50
D727,857 S * 4/2015 Acera D13/162
D729,236 S * 5/2015 Lee D14/341
D729,793 S 5/2015 Hickok et al.
D733,591 S * 7/2015 Golden D10/50
D734,179 S * 7/2015 Golden D10/50
D738,232 S 9/2015 Eyring et al.
D739,402 S * 9/2015 Seoc D14/341
D741,269 S * 10/2015 Bhattacharya D10/50
D758,217 S * 6/2016 Kumfer D10/50

(Continued)

Related U.S. Application Data

(63) Continuation of application No. 29/674,481, filed on Dec. 21, 2018, now Pat. No. Des. 894,021.
(51) **LOC (14) Cl.** **13-03**
(52) **U.S. Cl.**
USPC **D13/177; D13/162; D10/50**
(58) **Field of Classification Search**
USPC D13/162, 168, 177; D10/49, 50, 104.1, D10/106.1, 106.95; D14/218, 336, 337, D14/341, 371, 374, 375
CPC .. F24F 11/50; F24F 11/52; F24F 11/56; F24F 11/523; F24F 11/62; F24F 11/65; G05B 19/042; G05B 19/0426; G05B 19/05; G05B 19/409; G05B 15/02; G06F 1/1601; G06F 3/041; G06F 3/044; G06F 3/0482; G06F 3/0488; G06F 3/0489; G05D 23/1931
See application file for complete search history.

Primary Examiner — Selina Sikder

(74) *Attorney, Agent, or Firm* — Foley & Lardner LLP

(57) **CLAIM**

I claim the ornamental design for a display device, as shown and described.

DESCRIPTION

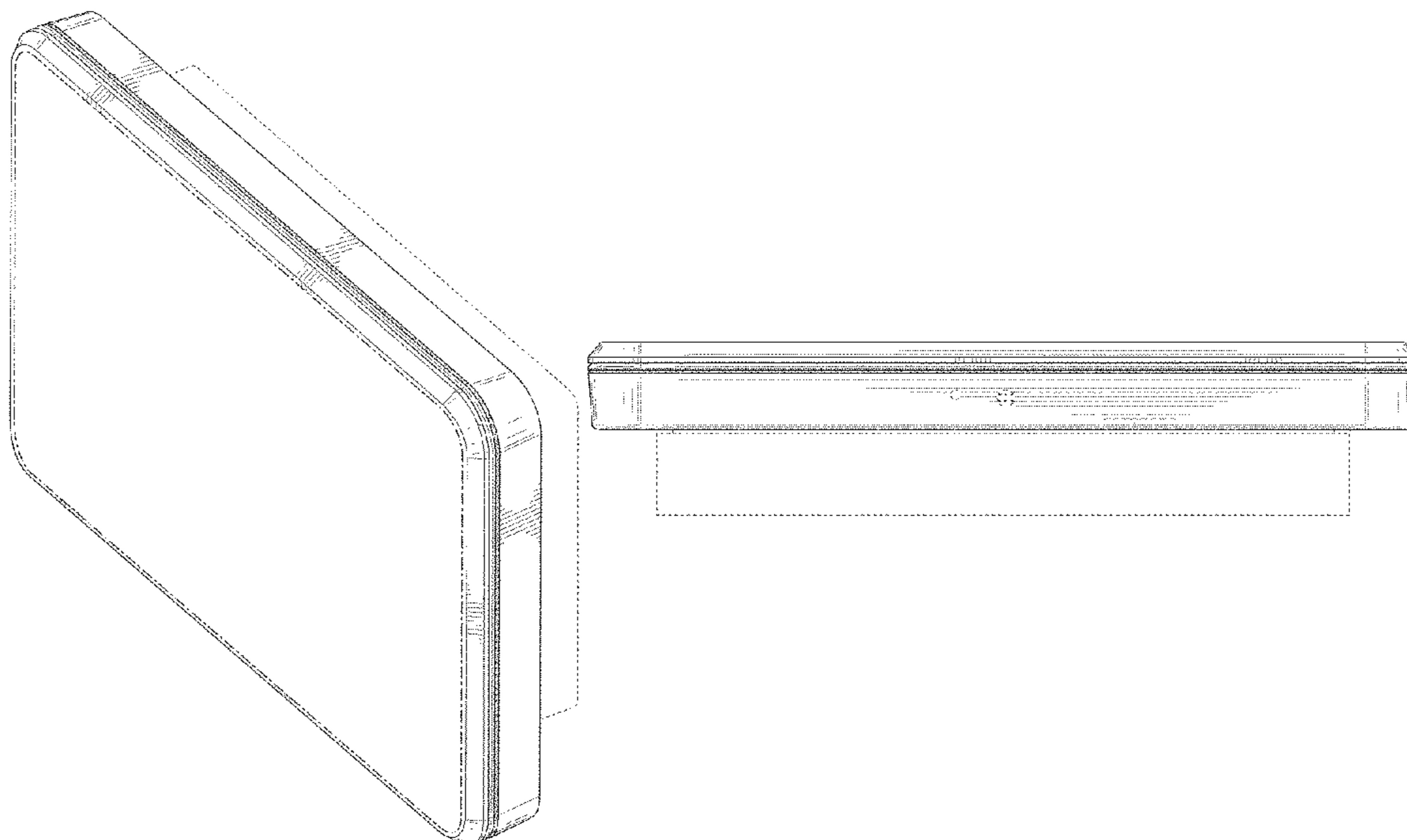
FIG. 1 is a front, right, top, isometric view perspective view from above of the display device;
FIG. 2 is a front view of the claimed design of FIG. 1;
FIG. 3 is a rear view of the claimed design of FIG. 1;
FIG. 4 is a right side view of the claim design of FIG. 1;
FIG. 5 is a left side view of the claimed design of FIG. 1;
FIG. 6 is a top view of the claimed design of FIG. 1; and, FIG. 7 is a bottom view of the claimed design of FIG. 1.
Any portion of the article depicted in broken lines forms no part of the claimed design. Broken lines formed by equal length dashes show unclaimed portions of the design. Broken lines formed of unequal length dashes (i.e., dash-dot) show boundaries between claimed and unclaimed portions of the design. Stipple shading indicates a transparent or translucent portion of the claimed design.

1 Claim, 5 Drawing Sheets

(56) **References Cited**

U.S. PATENT DOCUMENTS

D642,385 S 8/2011 Lee et al.
D648,641 S * 11/2011 Wallaert D10/49



(56)

References Cited

U.S. PATENT DOCUMENTS

D778,245 S 2/2017 Feldstein et al.
 D796,352 S 9/2017 Morneau et al.
 D802,450 S * 11/2017 Boynton D10/50
 9,824,549 B2 11/2017 Taylor et al.
 D843,859 S * 3/2019 Thoren D10/50
 D850,440 S * 6/2019 Gentle D14/336
 D854,429 S * 7/2019 Gentle D10/50
 D860,011 S * 9/2019 Berman D10/50
 D874,950 S 2/2020 Gentle et al.
 D875,568 S * 2/2020 Read D13/184
 D891,381 S * 7/2020 Wareham D13/162
 D894,021 S * 8/2020 Smith D10/50
 D917,462 S * 4/2021 Widiaman D14/341
 11,107,390 B2 * 8/2021 Taylor, Jr. H05B 45/20
 D943,562 S * 2/2022 Ruhman D14/240
 2004/0074978 A1 4/2004 Rosen
 2007/0228183 A1 10/2007 Kennedy et al.
 2009/0276096 A1 11/2009 Proffitt et al.
 2010/0106305 A1 4/2010 Pavlak et al.
 2010/0171889 A1 7/2010 Pantel et al.
 2011/0132991 A1 6/2011 Moody et al.
 2012/0061480 A1 3/2012 Deligiannis et al.
 2013/0279142 A1 * 10/2013 Wang G06F 1/1626
 312/223.1
 2014/0151456 A1 6/2014 Mccurnin et al.

* cited by examiner

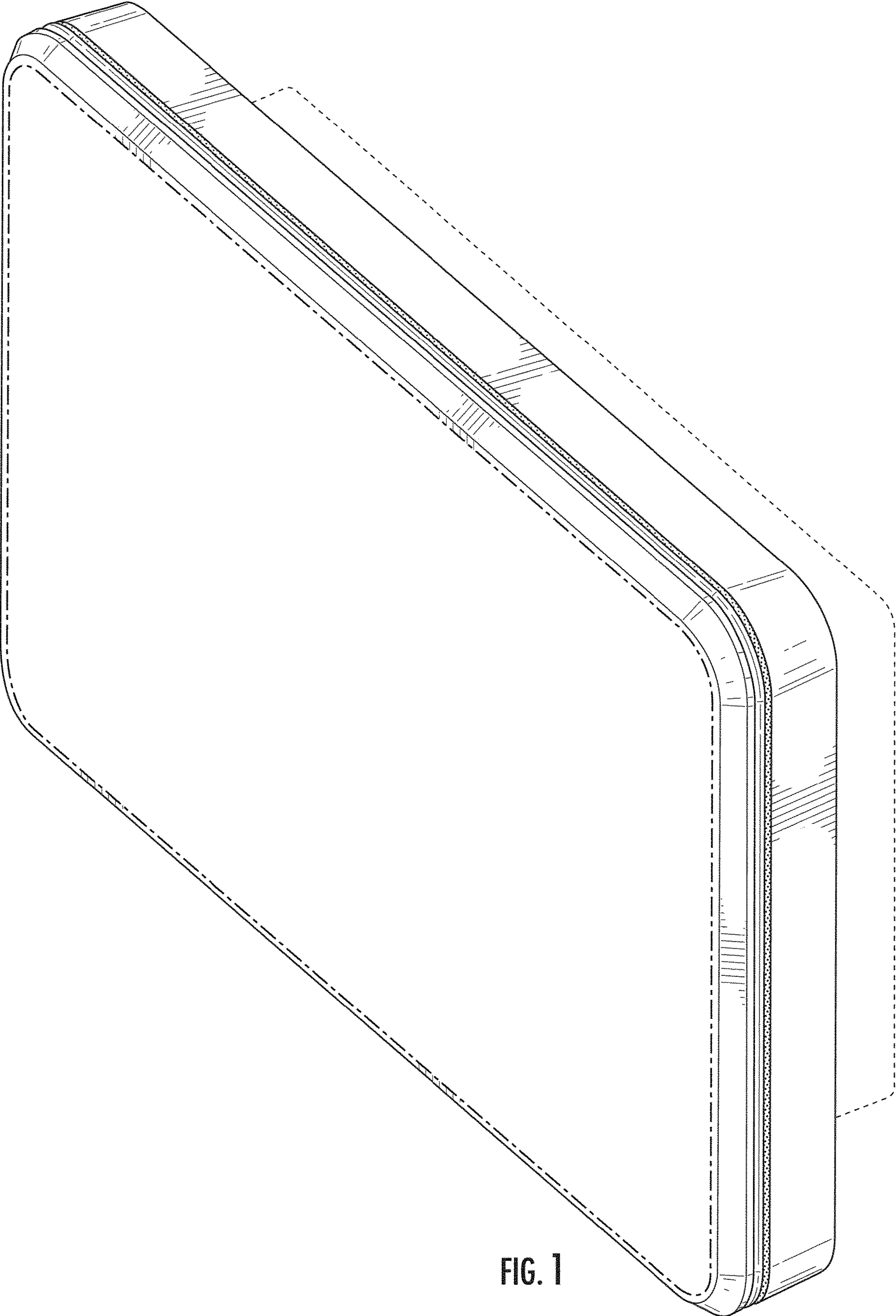


FIG. 1

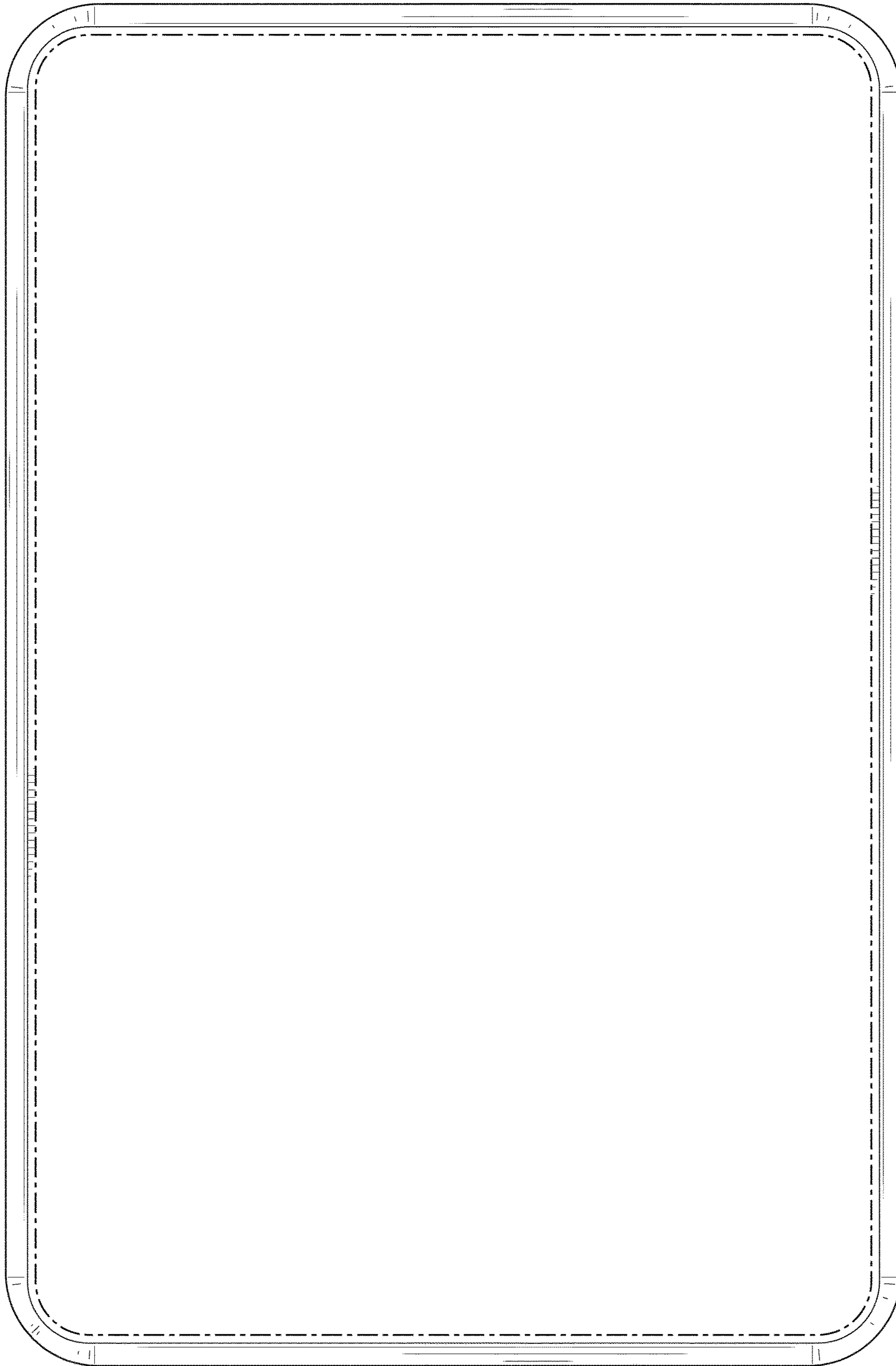


FIG. 2

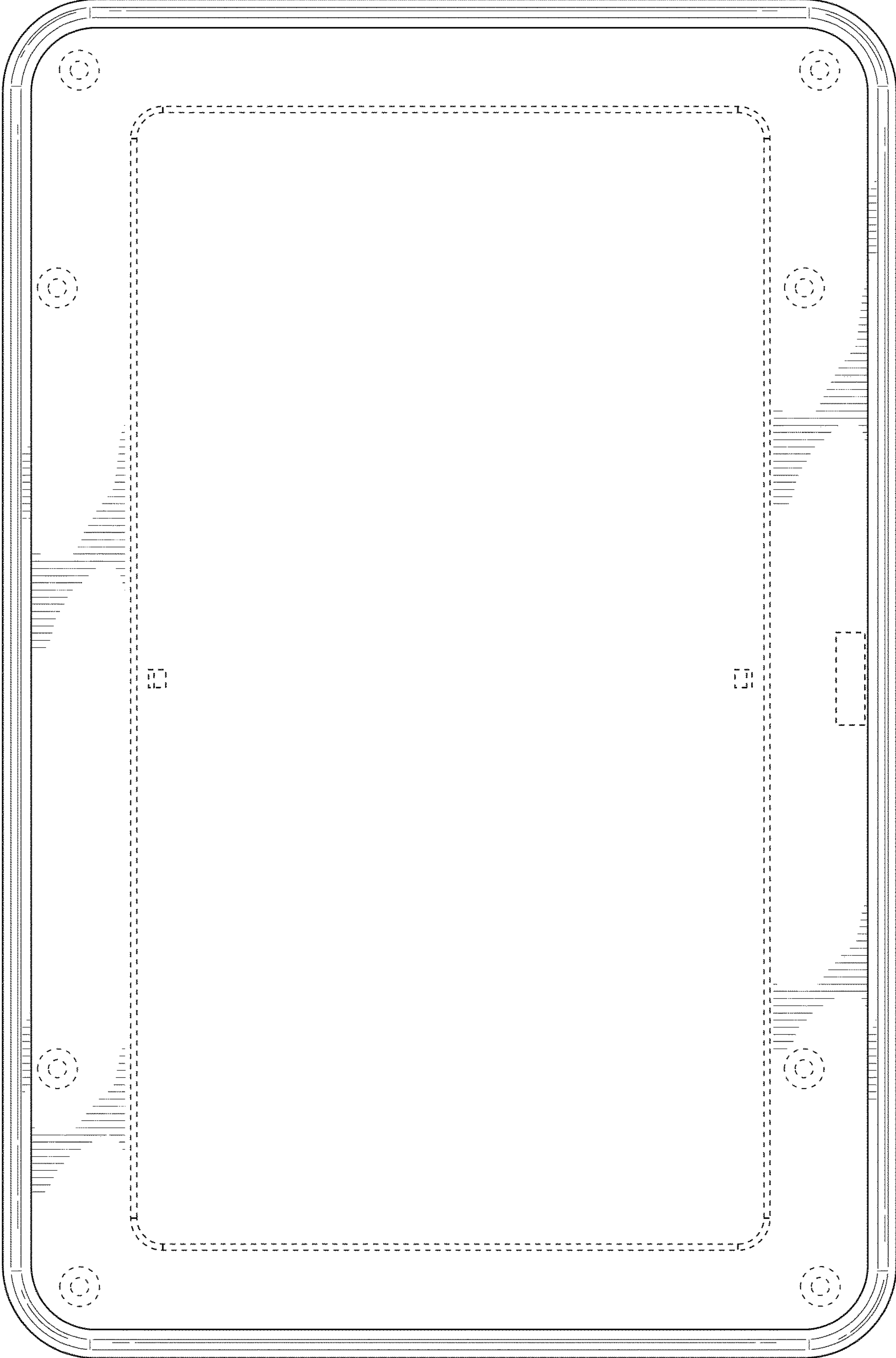


FIG. 3

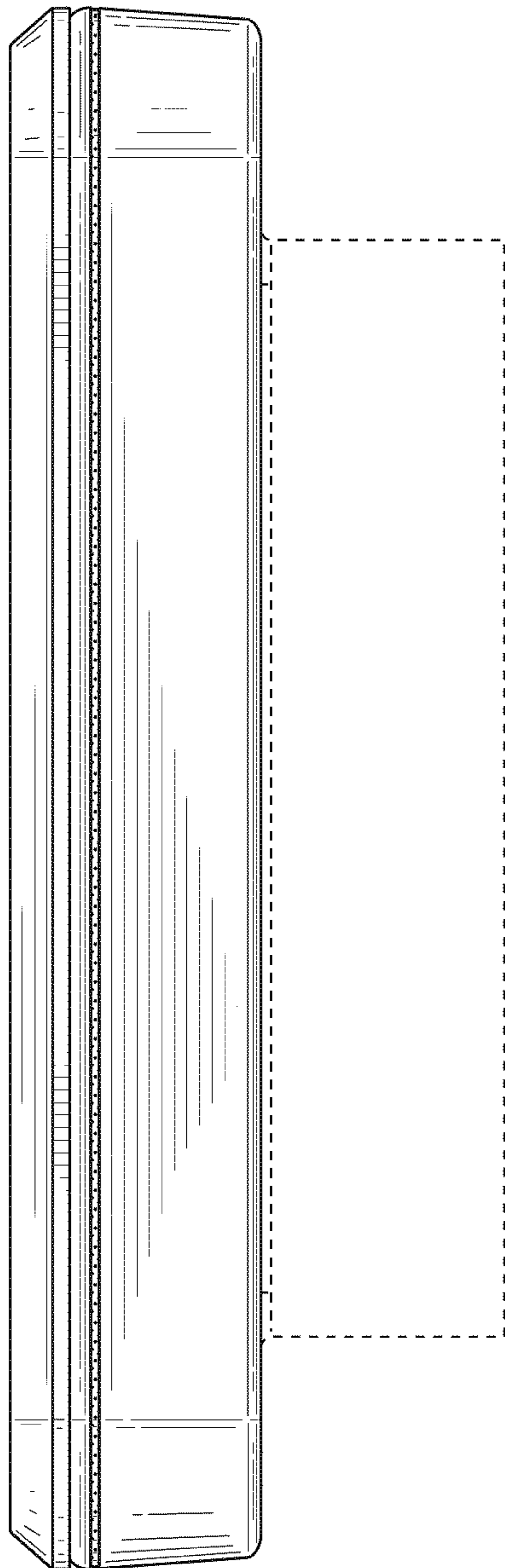


FIG. 4

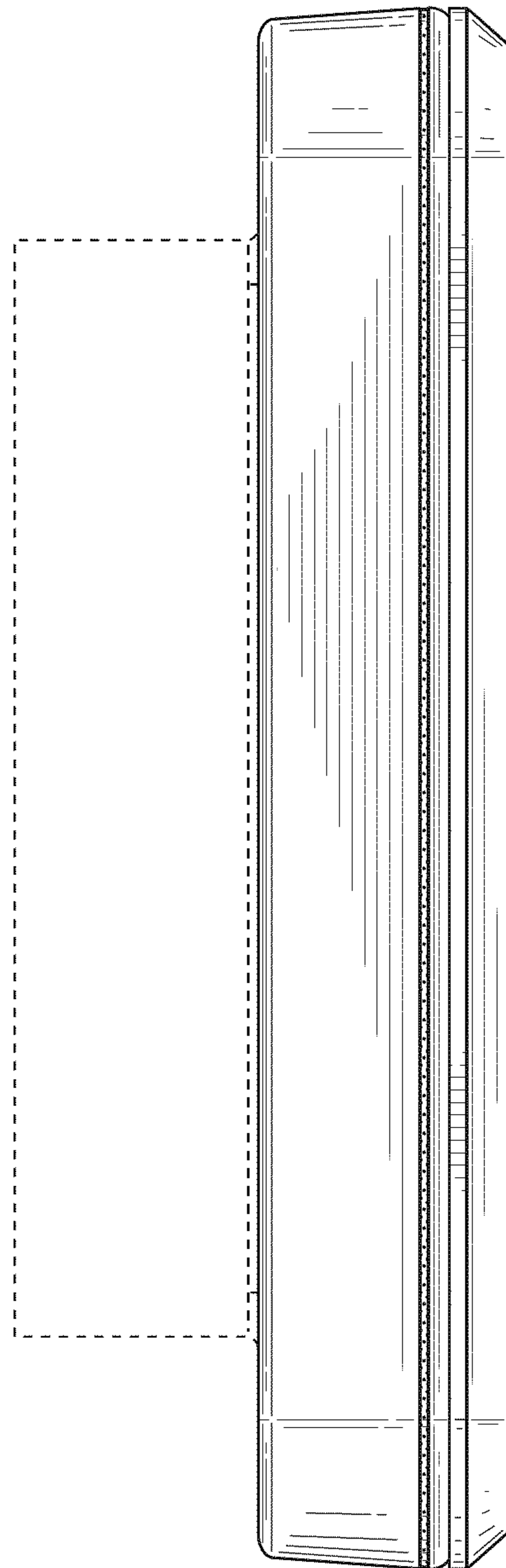


FIG. 5

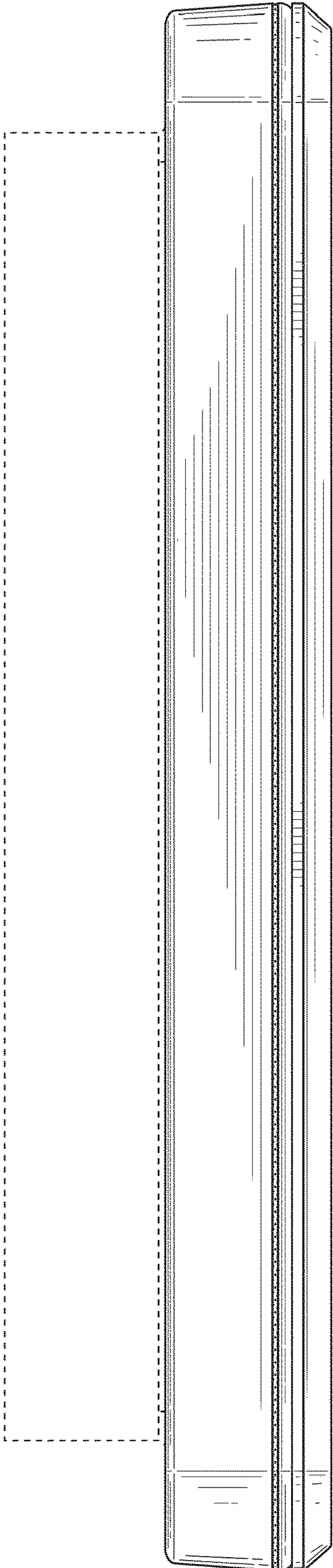


FIG. 6

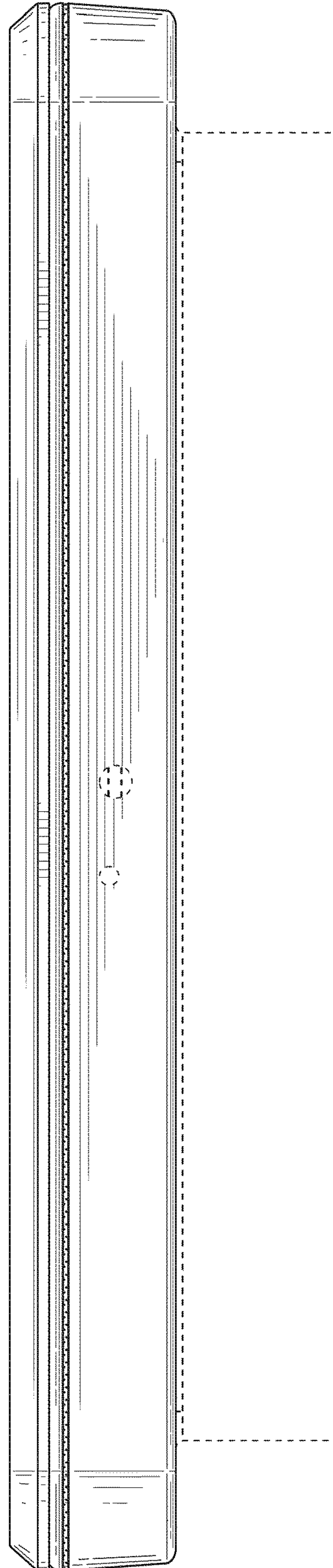


FIG. 7